



US00D415076S

United States Patent [19]
Garven, Jr.

[11] **Patent Number: Des. 415,076**

[45] **Date of Patent: ** Oct. 12, 1999**

[54] **CASTER PLATE FOR COUPLING A WHEELCHAIR CASTER FORK TO A WHEELCHAIR CASTER LEG**

5,361,454 11/1994 Sumser et al. 16/20
5,390,394 2/1995 Huang 16/30

[75] Inventor: **Douglas M. Garven, Jr.**, Boulder, Colo.

Primary Examiner—Kay H. Chin
Attorney, Agent, or Firm—MacMillan, Sobanski & Todd, LLC

[73] Assignee: **Sunrise Medical HHG Inc.**, Longmont, Colo.

[57] **CLAIM**

[**] Term: **14 Years**

The ornamental design for a caster plate for coupling a wheelchair caster fork to a wheelchair caster leg, as shown and described.

[21] Appl. No.: **29/093,701**

DESCRIPTION

[22] Filed: **Sep. 17, 1998**

FIG. 1 is a rear perspective view of a caster plate for coupling a wheelchair caster fork to a wheelchair caster leg showing my new design;

[51] **LOC (6) Cl.** **12-12**

[52] **U.S. Cl.** **D12/133; D8/375**

FIG. 2 is a front view thereof with the rear being a mirror image thereof;

[58] **Field of Search** D12/128-133; D8/375, 382; 16/18 R, 19, 20, 21, 22, 30, 31 R, 31 A, 40, 37; 280/250.1, 304.1

FIG. 3 is a right side view thereof;

FIG. 4 is a left side view thereof;

FIG. 5 is a top plan view thereof; and,

FIG. 6 is an exploded perspective view thereof.

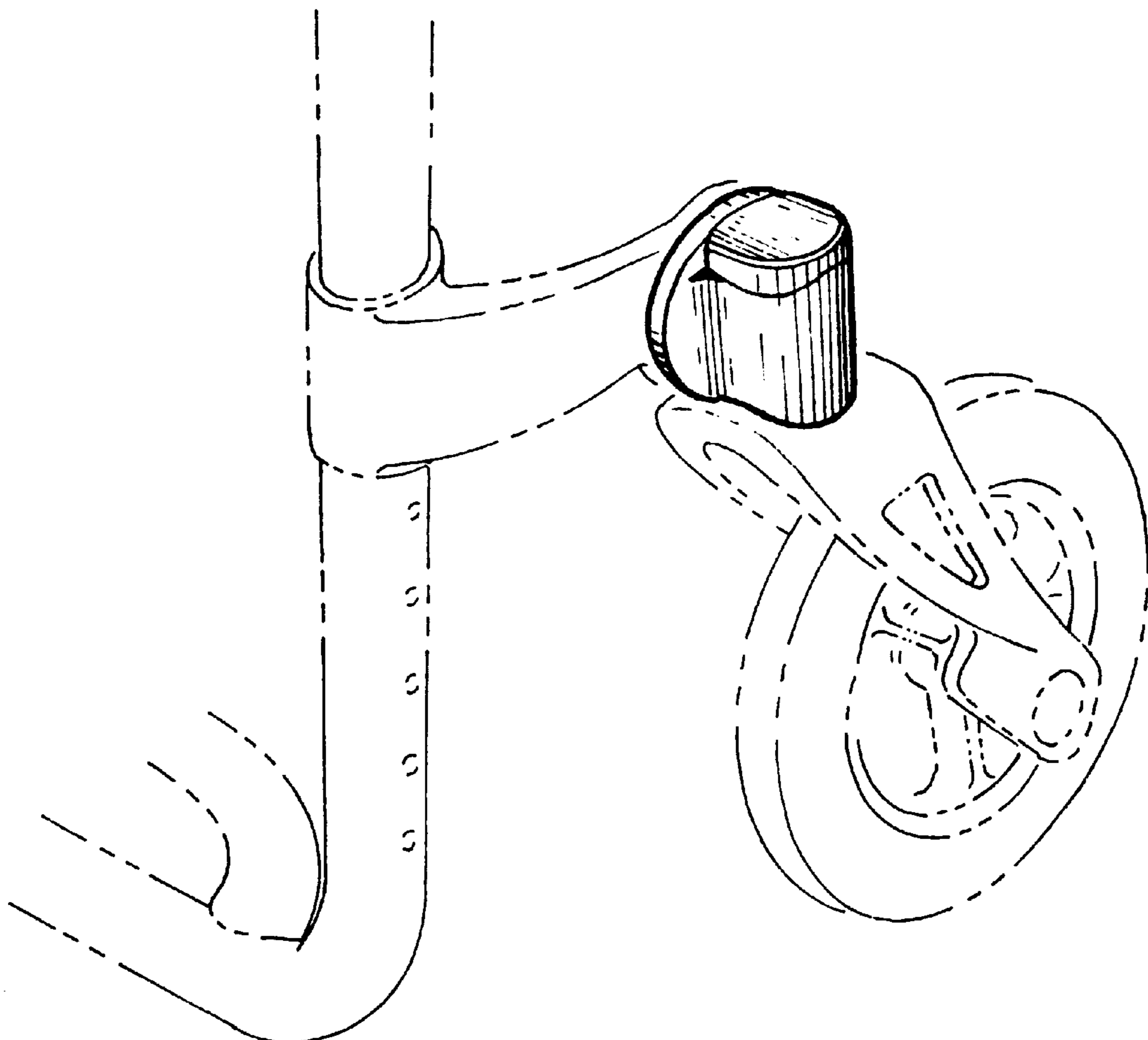
[56] **References Cited**

U.S. PATENT DOCUMENTS

4,759,098 7/1988 Ko 16/29
4,854,008 8/1989 Kuo 16/30
4,969,230 11/1990 Huang 16/30

The broken line in FIG. 1 showing the wheelchair frame, caster leg, caster fork, and caster is for illustrative purposes only and forms no part of the claimed design.

1 Claim, 2 Drawing Sheets



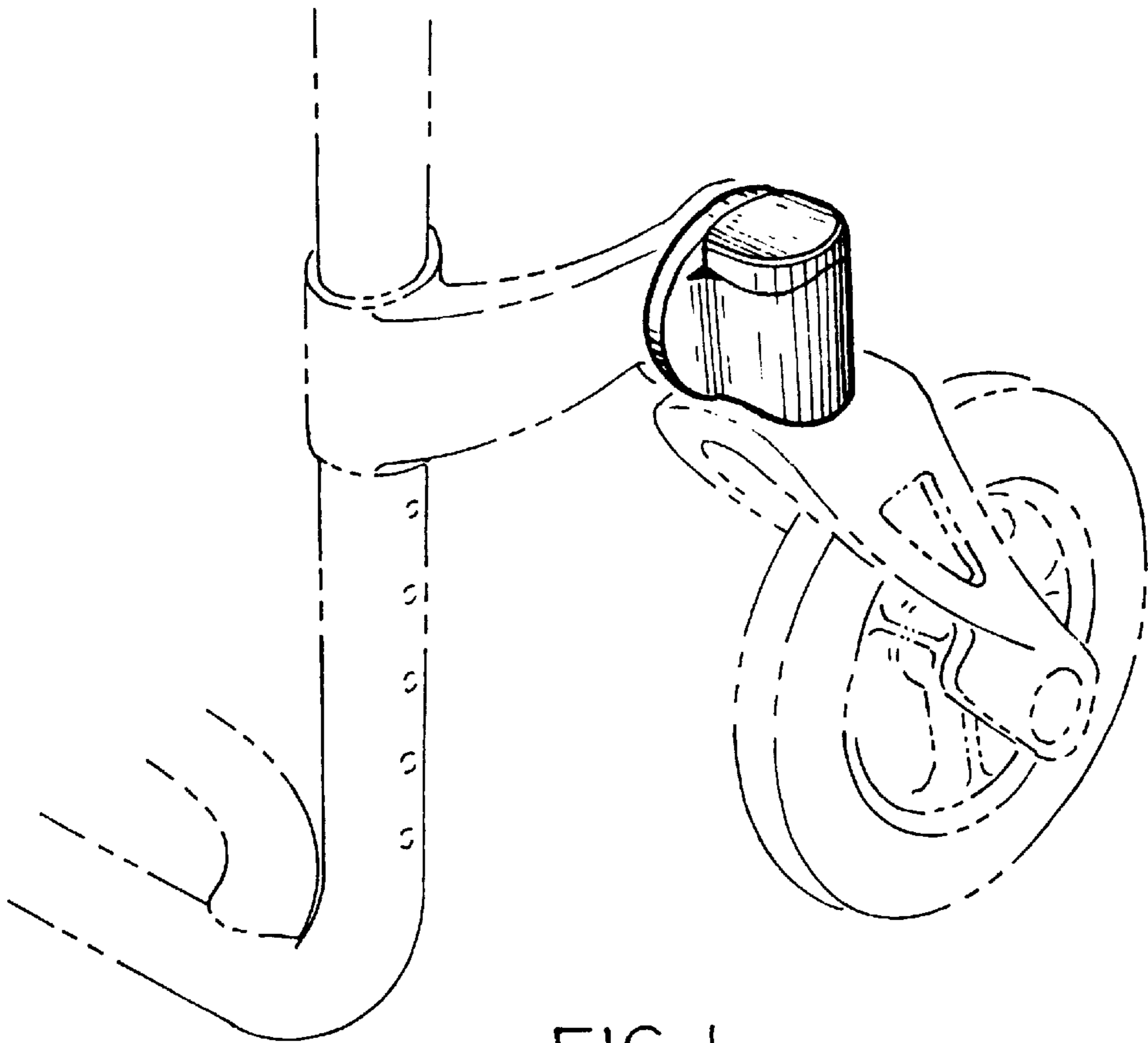


FIG. 1

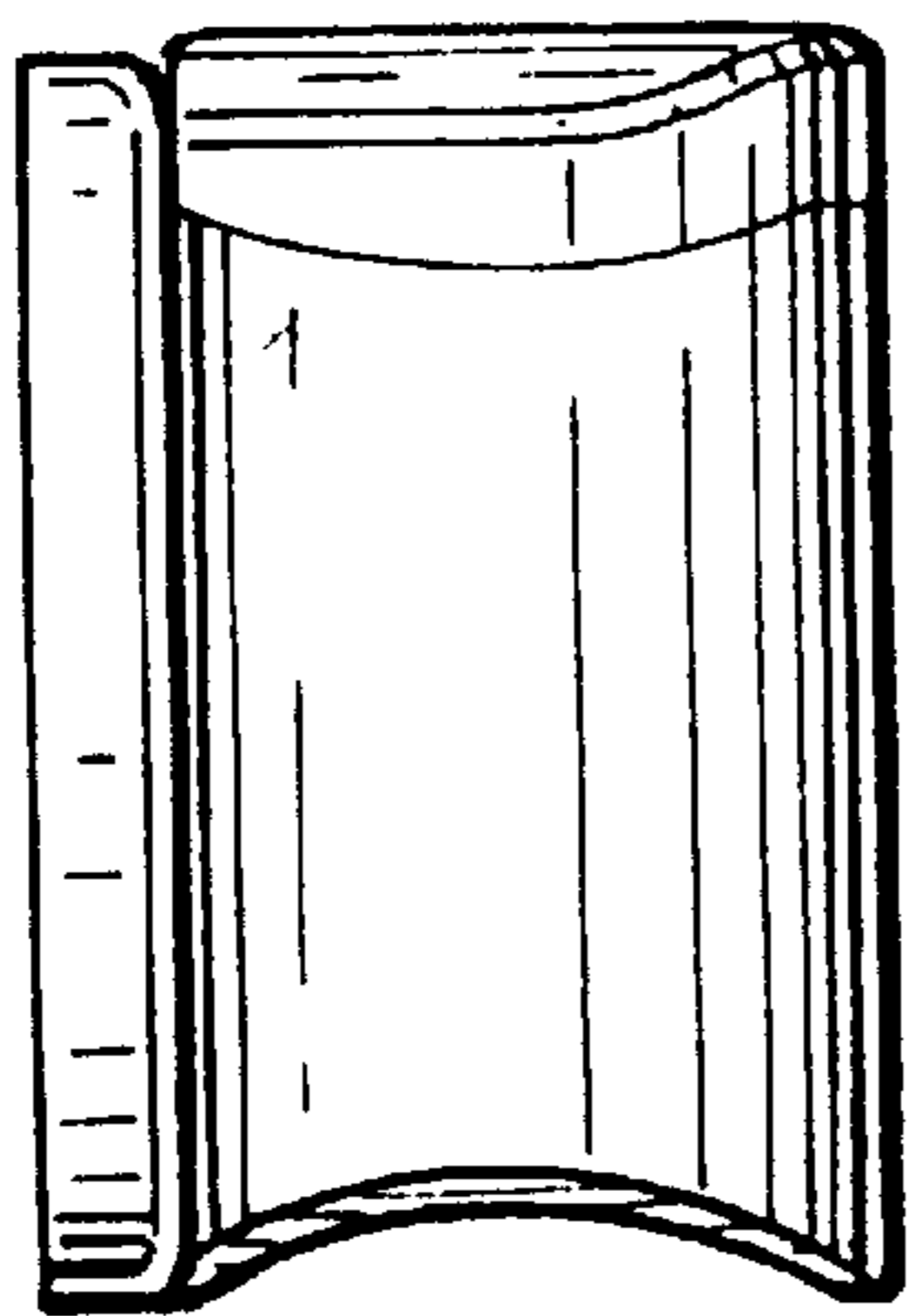


FIG. 2

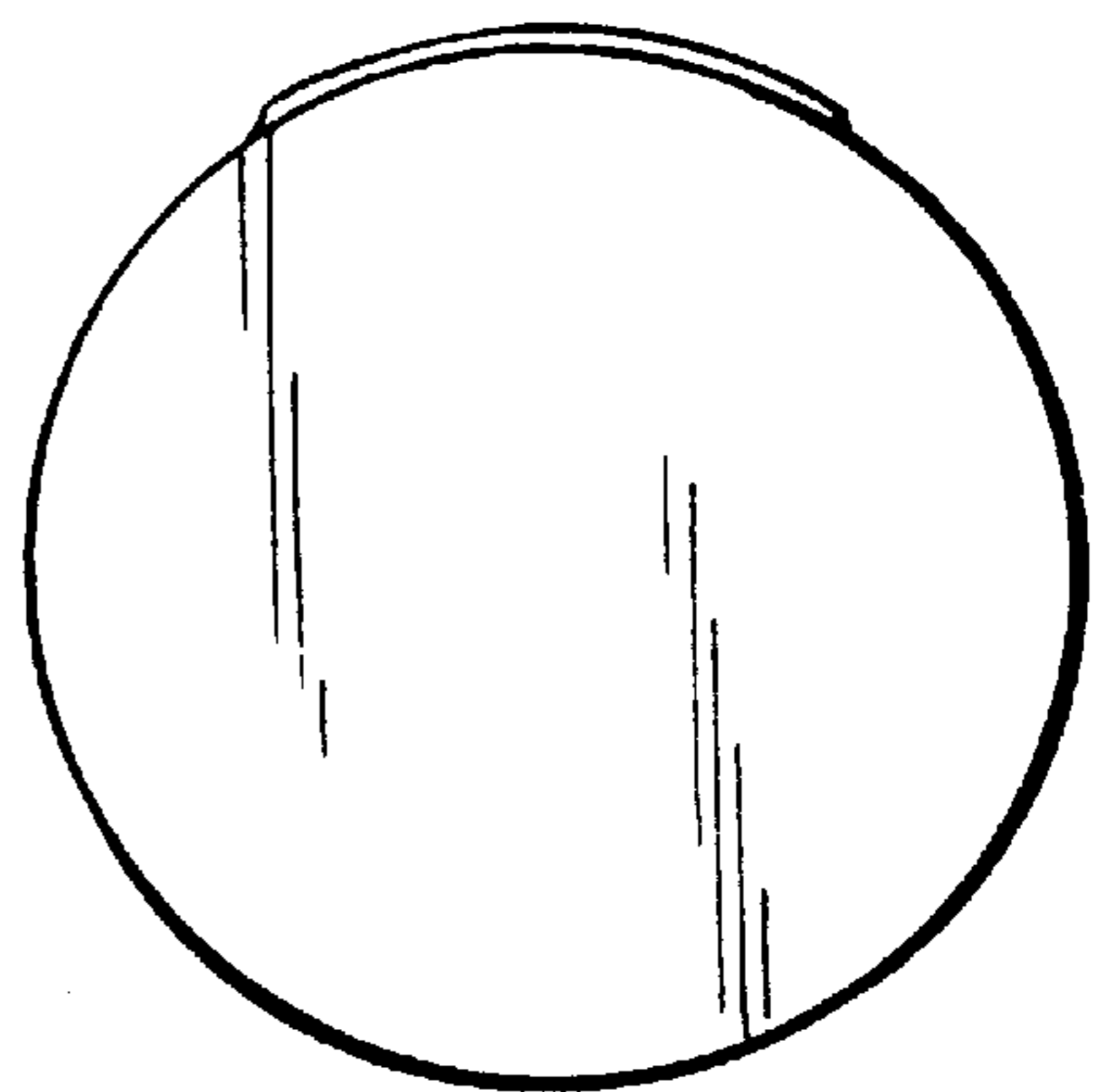


FIG. 3

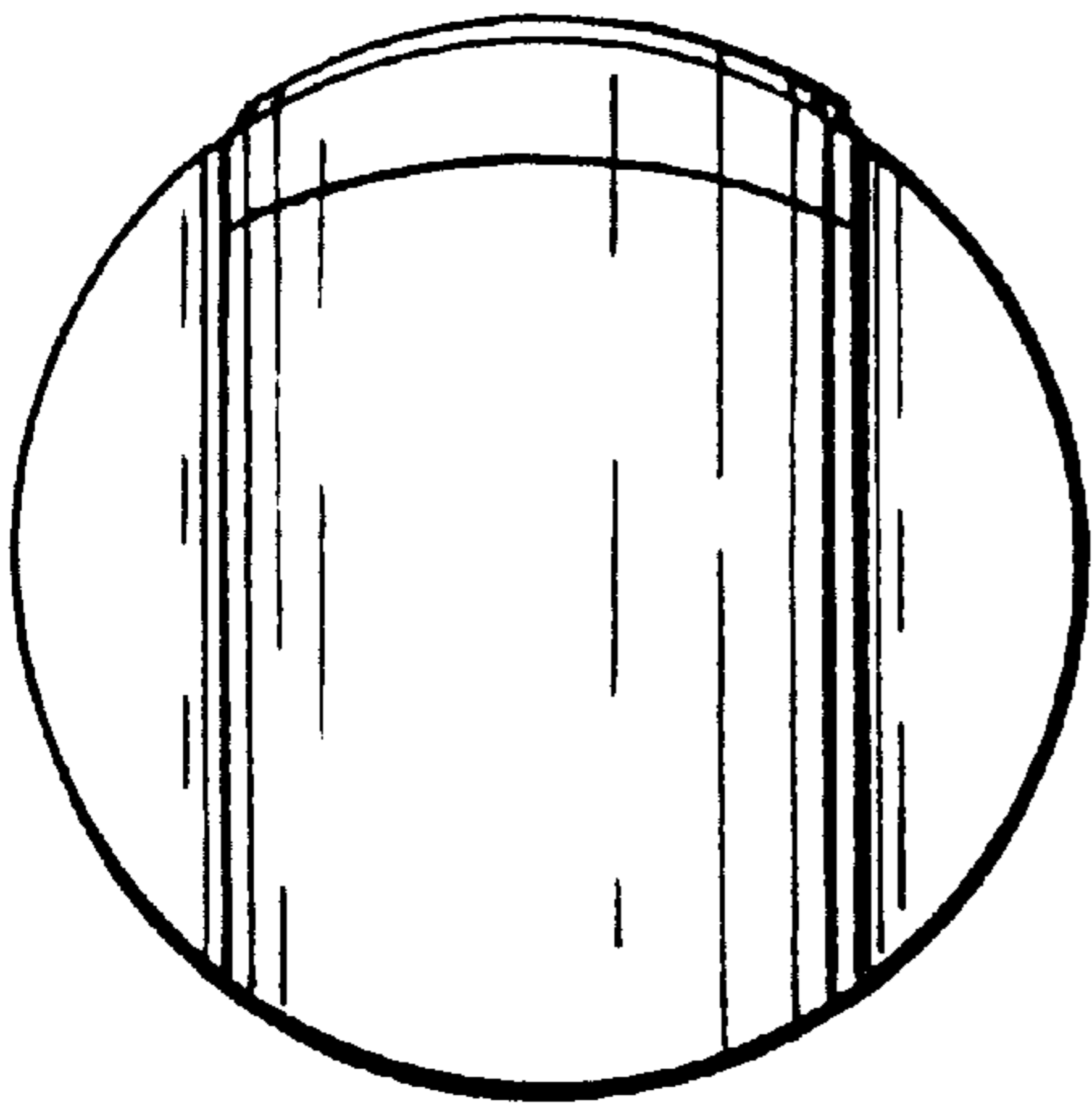


FIG. 4

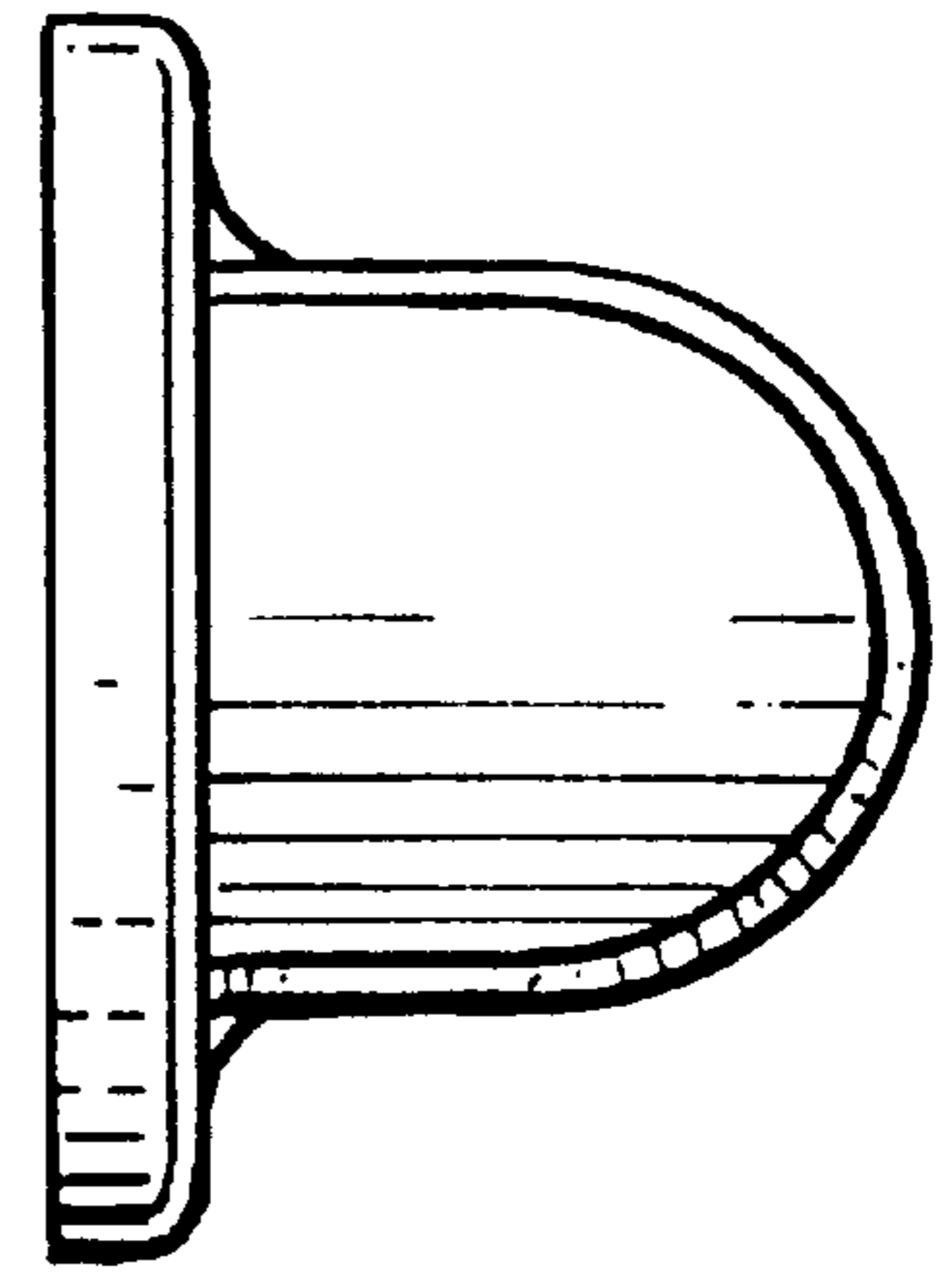


FIG. 5

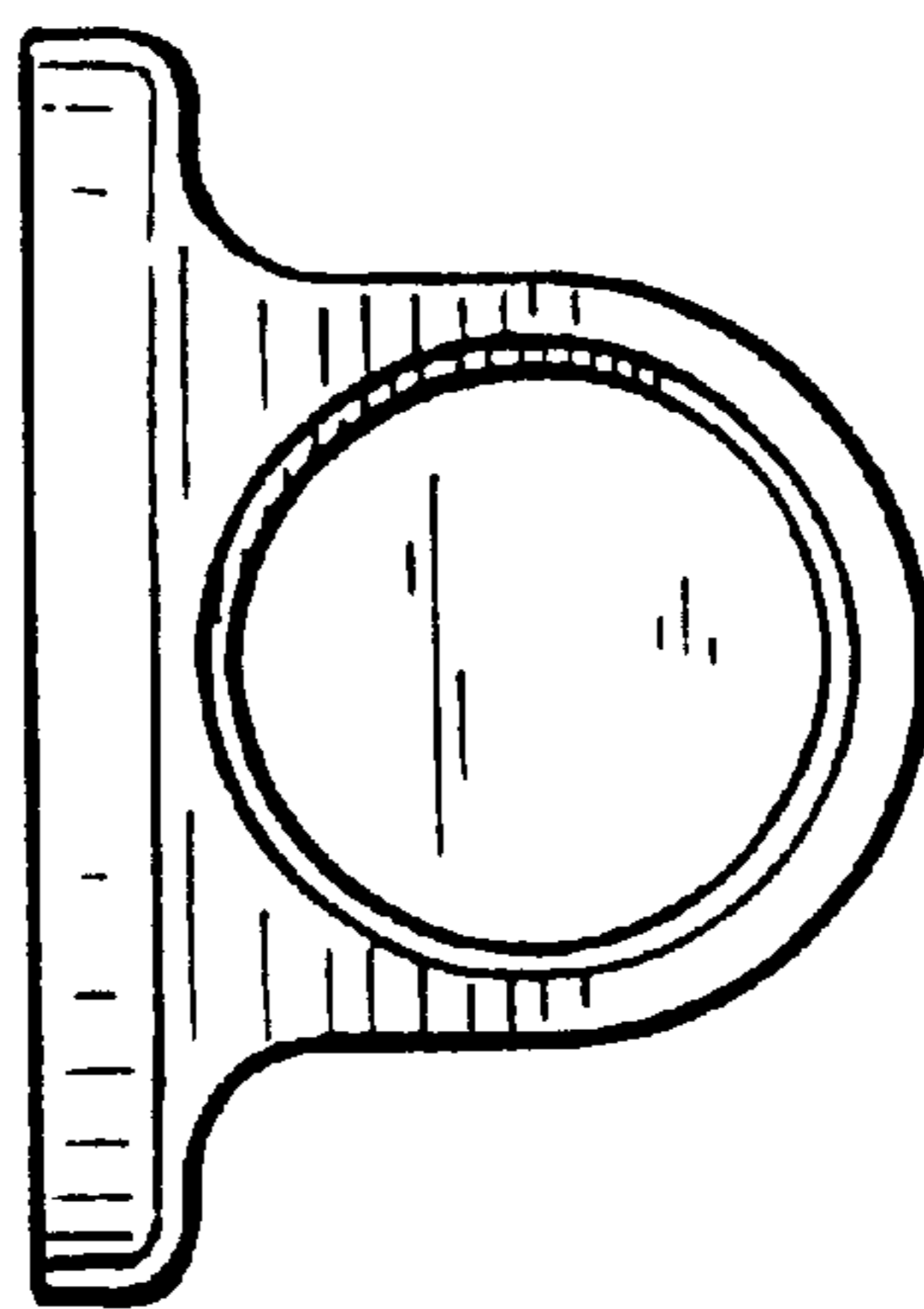


FIG. 6