



US00D415075S

United States Patent [19] Lan

[11] **Patent Number: Des. 415,075**

[45] **Date of Patent: ** Oct. 12, 1999**

[54] **FRAME BAR OF A STROLLER**

[76] Inventor: **Red Lan**, 17-22 Liu-An, Liu-An Li, Chia-Li Chen, Tainan Hsien, Taiwan

[**] Term: **14 Years**

[21] Appl. No.: **29/085,962**

[22] Filed: **Mar. 31, 1998**

[51] **LOC (6) Cl.** **12-12**

[52] **U.S. Cl.** **D12/133; D25/124**

[58] **Field of Search** **D12/128-133; D25/119, 122, 123, 124, 125; 280/250.1, 304.1, 36, 62, 644, 647, 650; 405/36**

[56] **References Cited**

U.S. PATENT DOCUMENTS

D. 239,561	4/1976	Harris	D25/124
D. 355,353	2/1995	Pozzi	D25/124
D. 379,705	6/1997	Delmerico et al.	D34/27
D. 398,463	9/1998	Olson	D25/119 X
4,020,639	5/1977	Nagare et al.	405/36

Primary Examiner—Kay H. Chin
Attorney, Agent, or Firm—Wells, St. John, Roberts, Gregory & Matkin P.S.

[57] **CLAIM**

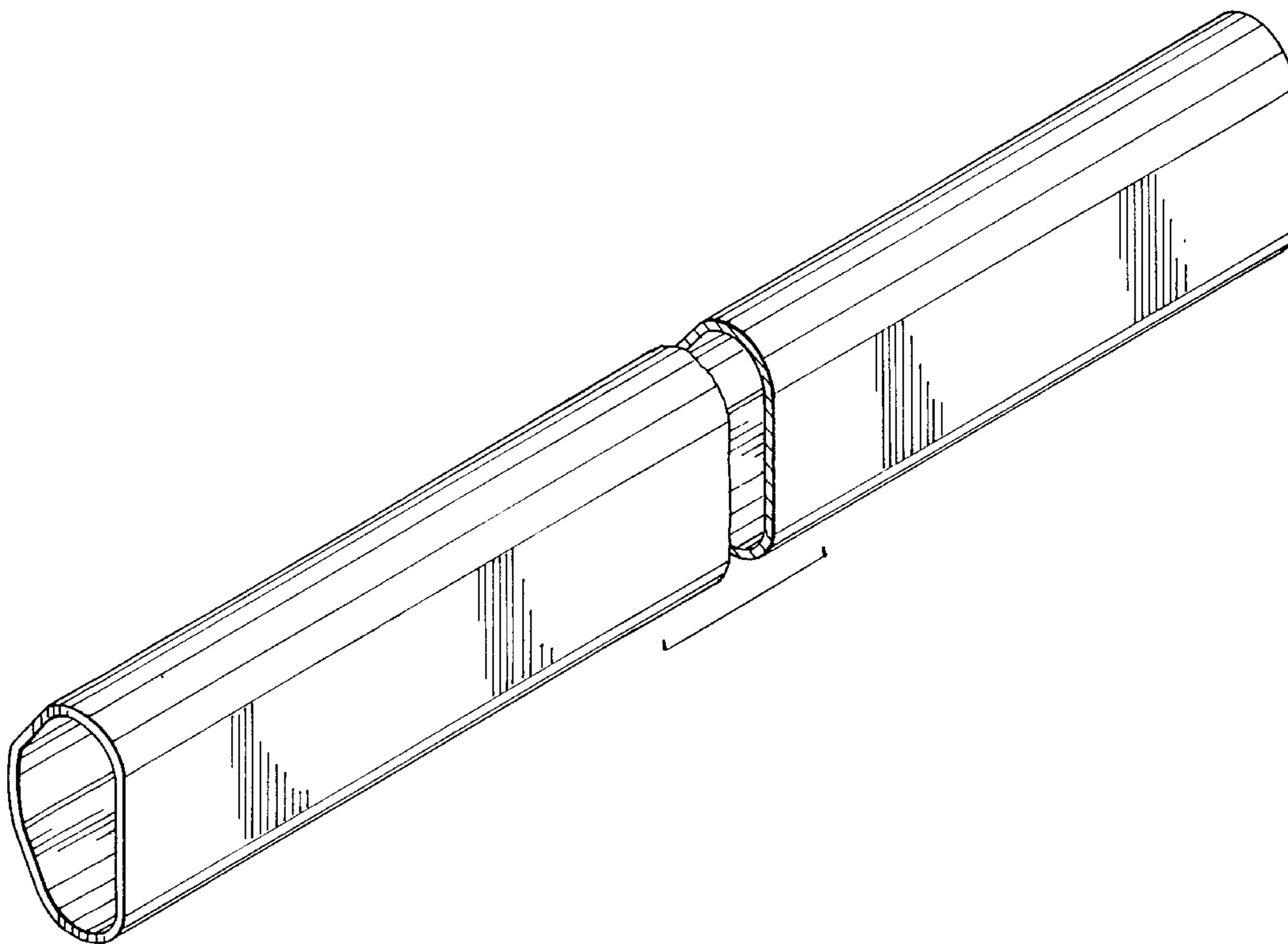
The ornamental design for frame bar of a stroller, as shown and described.

DESCRIPTION

FIG. 1 is a perspective view of frame bar of a stroller showing my new design;
FIG. 2 is a front elevational view thereof;
FIG. 3 is a rear elevational view thereof;
FIG. 4 is a left side elevational view thereof;
FIG. 5 is a right side elevational view thereof;
FIG. 6 is a top plan view thereof; and,
FIG. 7 is a bottom plan view thereof.

The frame bar of a stroller as shown in FIGS. 1 and 4-7 are broken away to show indeterminate length. The configuration shown in FIGS. 2 and 3 is consistent along the full length of the frame bar of a stroller.

1 Claim, 4 Drawing Sheets



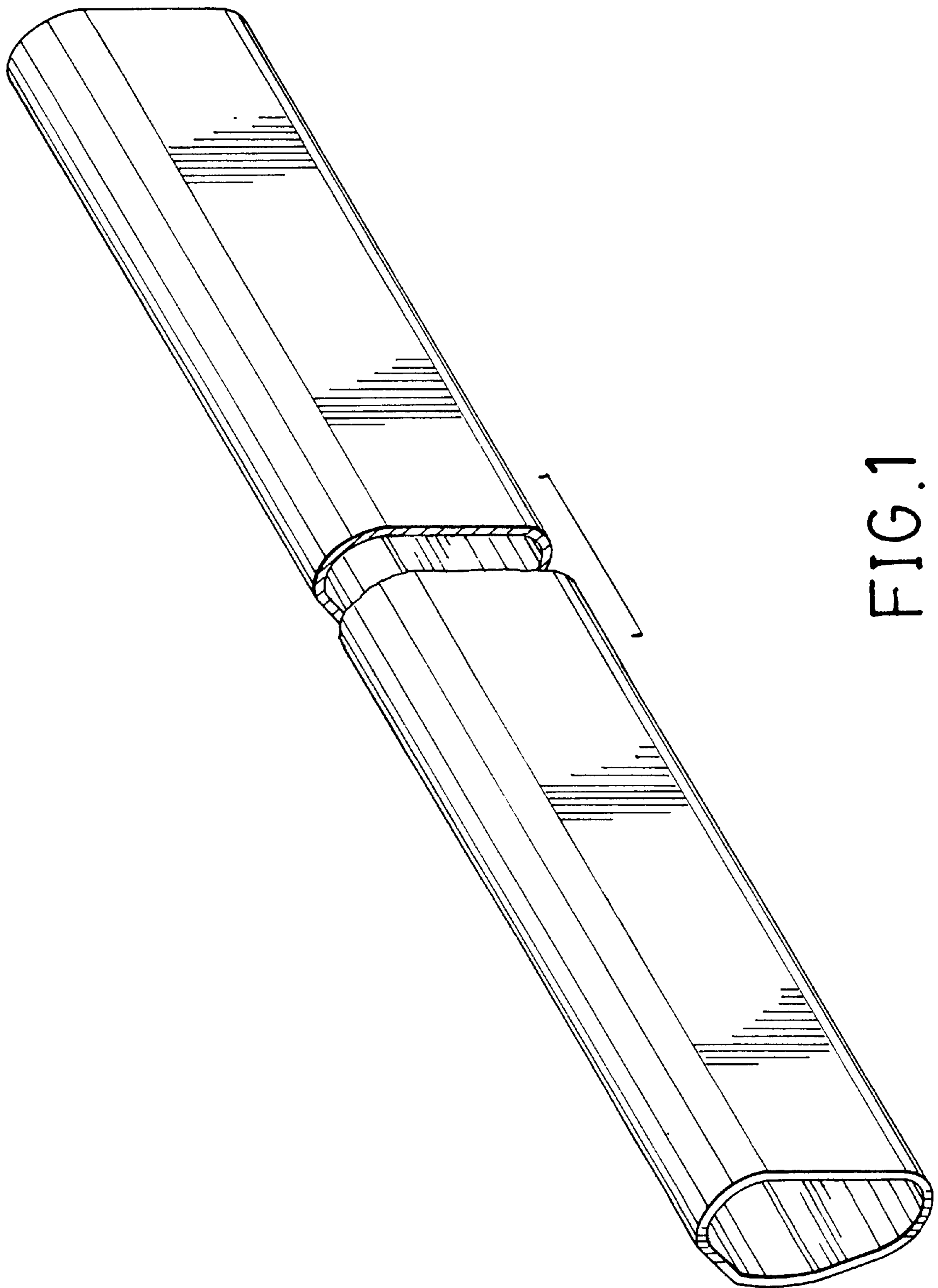


FIG. 1

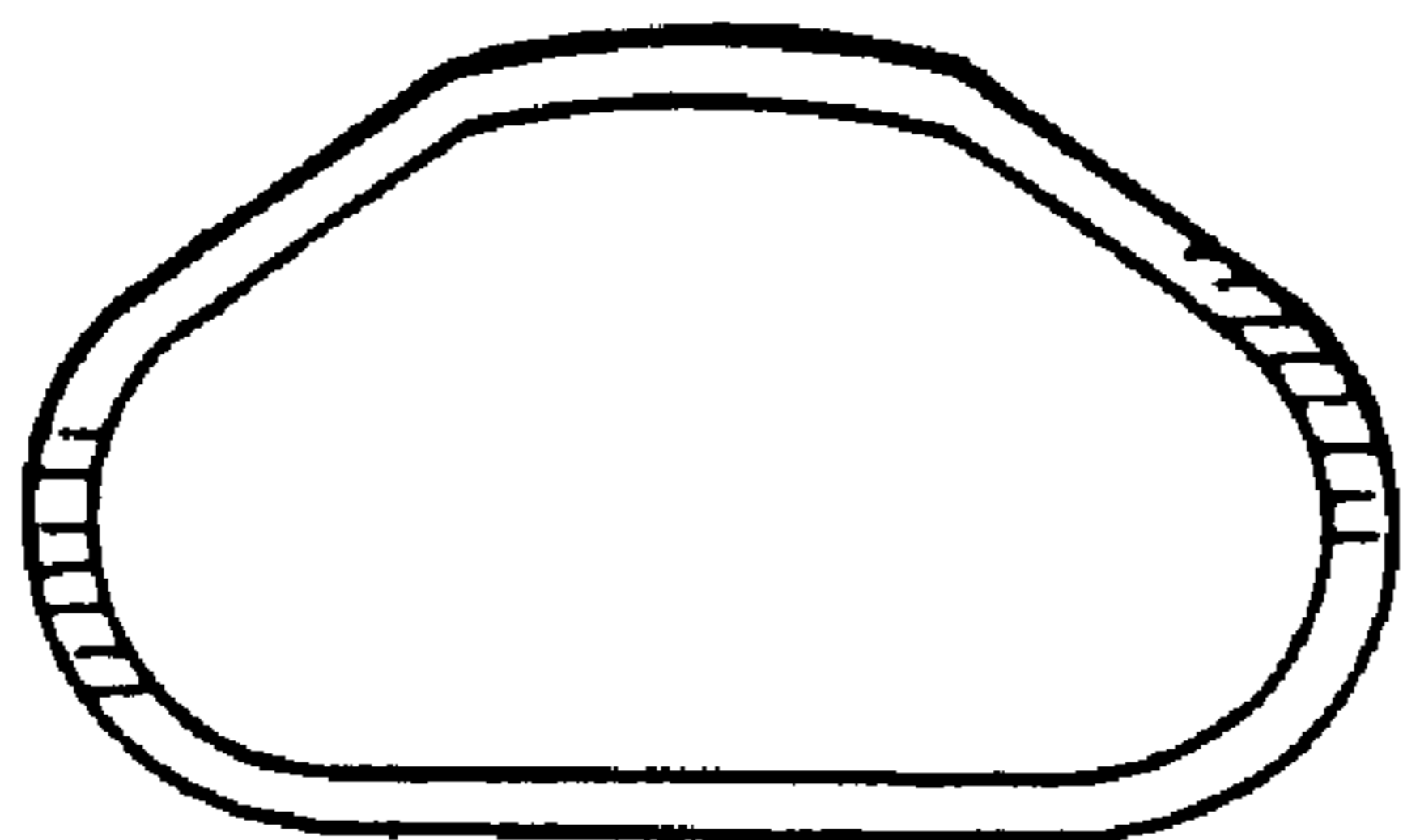


FIG. 2

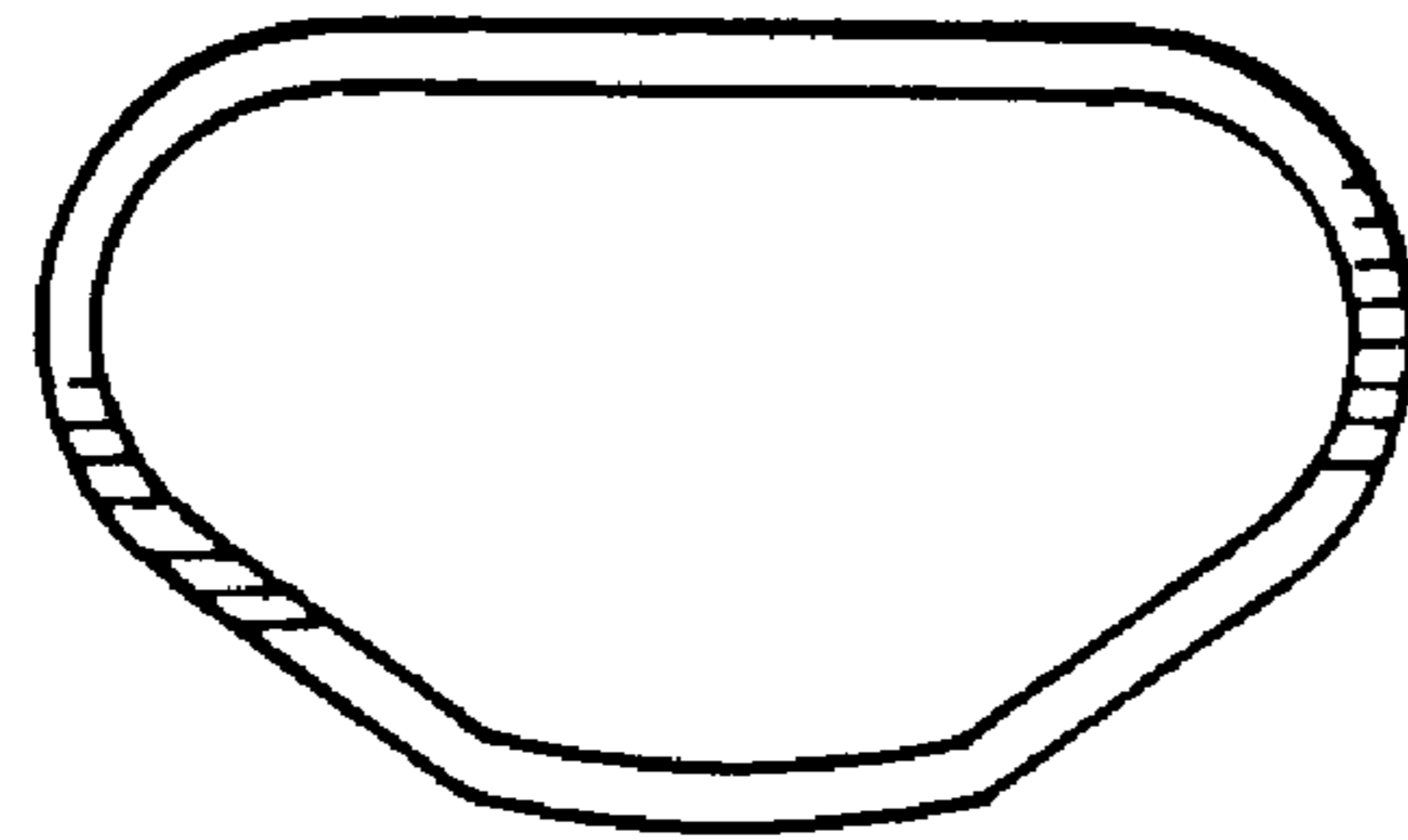


FIG. 3

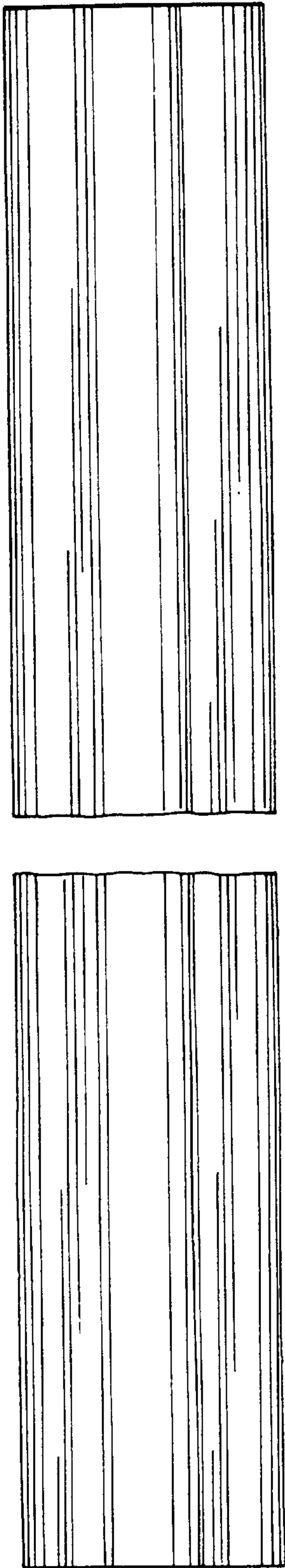


FIG. 4

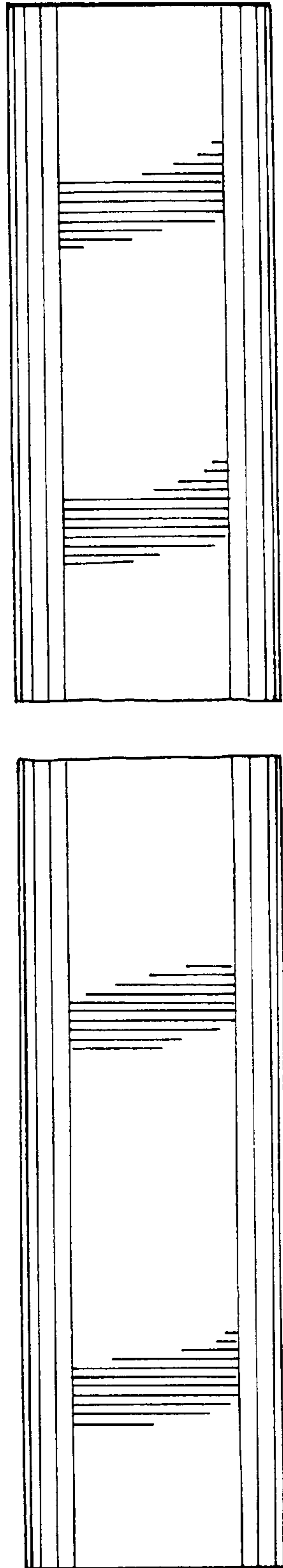


FIG. 5

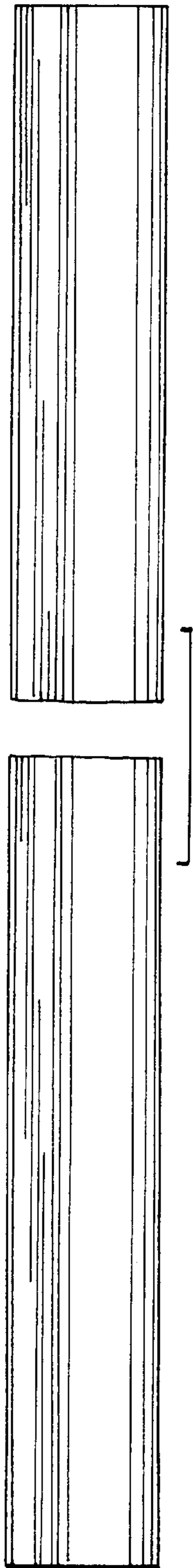


FIG. 6

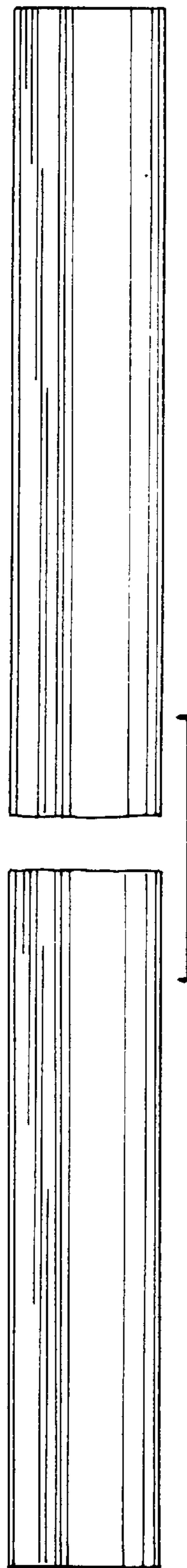


FIG. 7