



US00D415073S

United States Patent [19]

Meehan et al.

[11] Patent Number: **Des. 415,073**

[45] Date of Patent: **** Oct. 12, 1999**

[54] **STROLLER**

[75] Inventors: **Christopher T. Meehan**, Weston;
James E. Moroney, Manchester; **Kevin Askling**, Somerville; **Laurence Massey**, Boston; **Elizabeth Goodrich**, Roslindale; **Arthur Rousmaniere**, Andover, all of Mass.

[73] Assignee: **ScooterBug, Inc.**, Woburn, Mass.

[**] Term: **14 Years**

[21] Appl. No.: **29/092,309**

[22] Filed: **Aug. 17, 1998**

[51] **LOC (6) Cl.** **12-12**

[52] **U.S. Cl.** **D12/129**

[58] **Field of Search** D12/128-133;
280/642, 641, 644, 650, 657, 658, 42, 30

[56] **References Cited**

U.S. PATENT DOCUMENTS

- D. 274,714 7/1984 Cone .
- D. 329,278 9/1992 Gallup .
- D. 337,357 7/1993 Monneret D21/535
- D. 366,161 1/1996 Arcouette .
- D. 367,301 2/1996 Monneret D21/535
- D. 379,333 5/1997 Jacobs .

- 3,718,344 2/1973 Lohr et al. .
- 4,378,946 4/1983 Voytko et al. .
- 5,005,902 4/1991 Farnworth et al. .
- 5,261,690 11/1993 Kluber .
- 5,308,096 5/1994 Smith .
- 5,590,896 1/1997 Eichhorn .
- 5,599,033 2/1997 Kolbus et al. .
- 5,669,624 9/1997 Eichhorn 280/642

OTHER PUBLICATIONS

Runabout/USA, Inc., Brochure, 2 pgs. (1991).

Primary Examiner—Kay H. Chin
Attorney, Agent, or Firm—Testa, Hurwitz & Thibeault, LLP

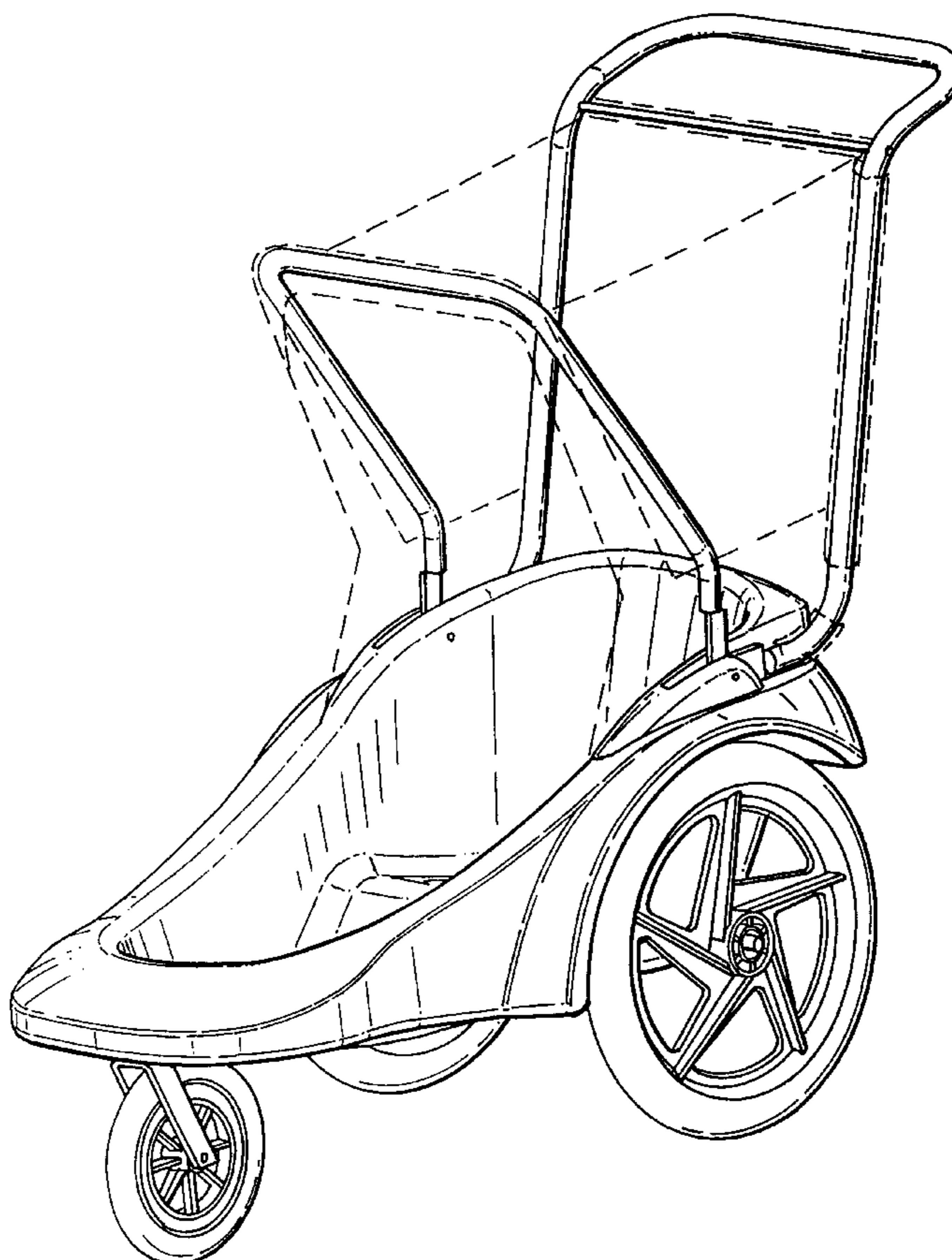
[57] **CLAIM**

The ornamental design for a stroller, as shown and described.

DESCRIPTION

FIG. 1 is a front perspective view of a stroller showing the new design with related sun canopy shown in broken lines, not being part of the design sought to be patented; FIG. 2 is a left side elevational view of the stroller; FIG. 3 is a front elevational view of the stroller; FIG. 4 is a rear elevational view of the stroller; FIG. 5 is a top plan view of the stroller; and, FIG. 6 is a bottom plan view of the stroller.

1 Claim, 5 Drawing Sheets



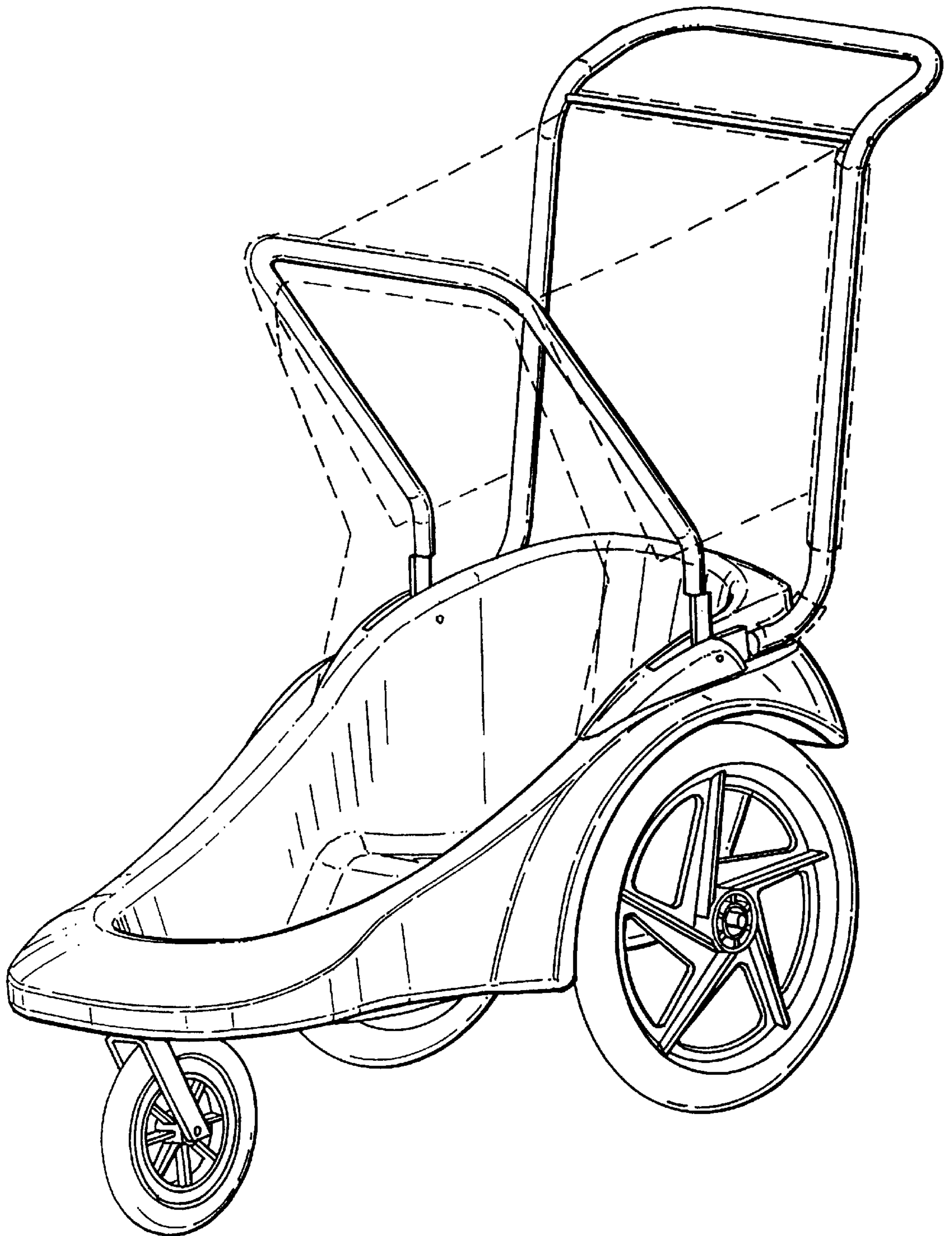


FIG. 1

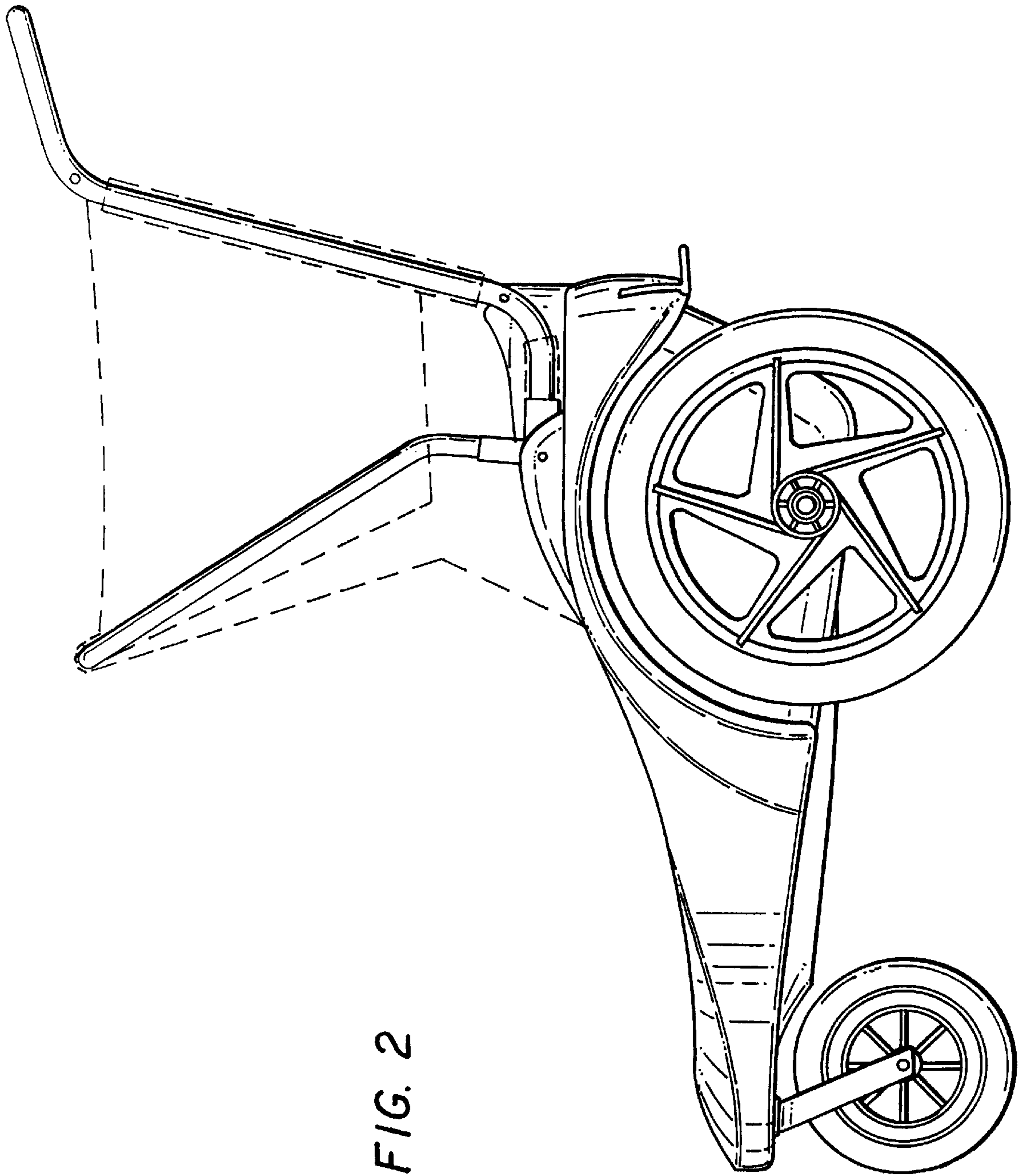


FIG. 2

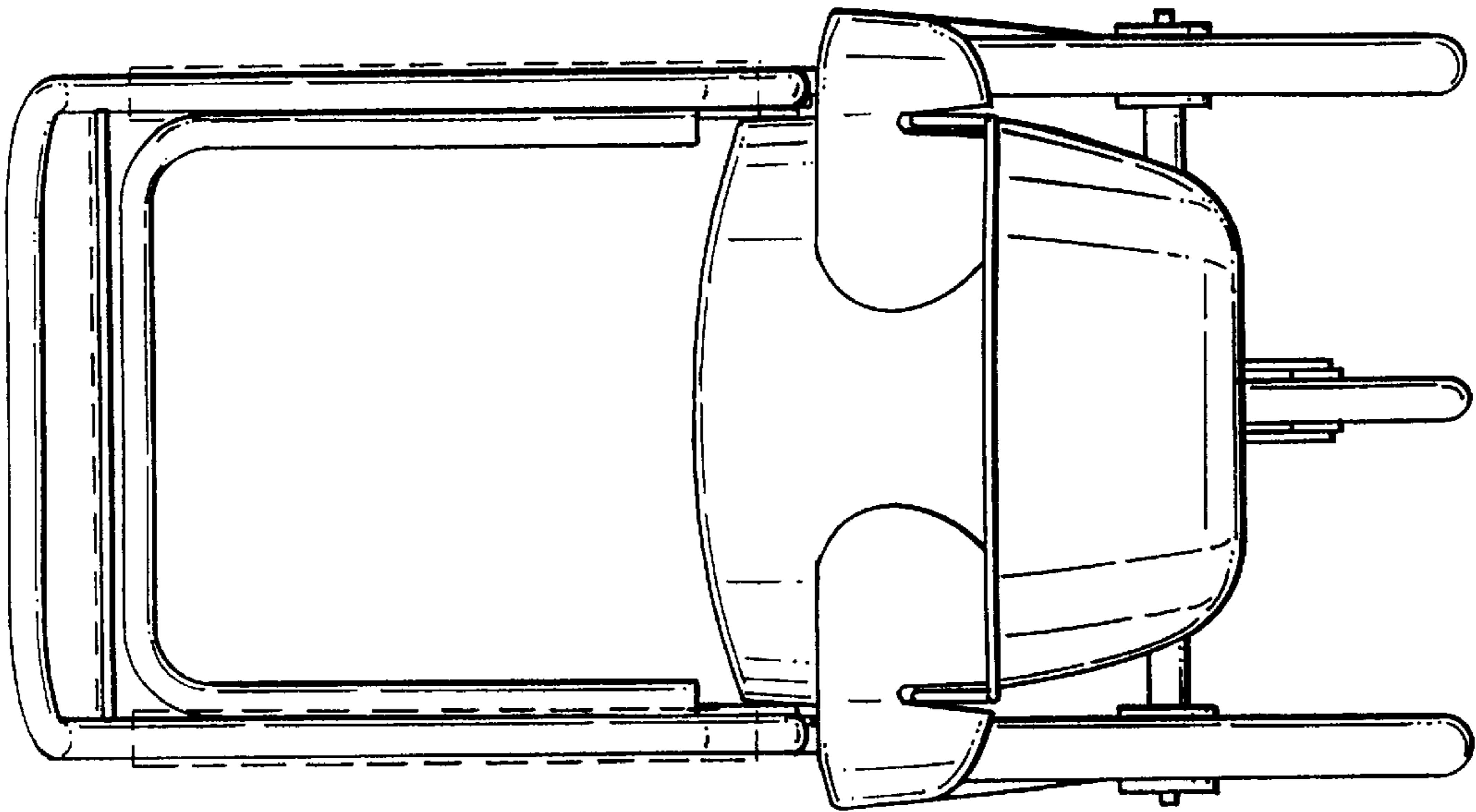


FIG. 4

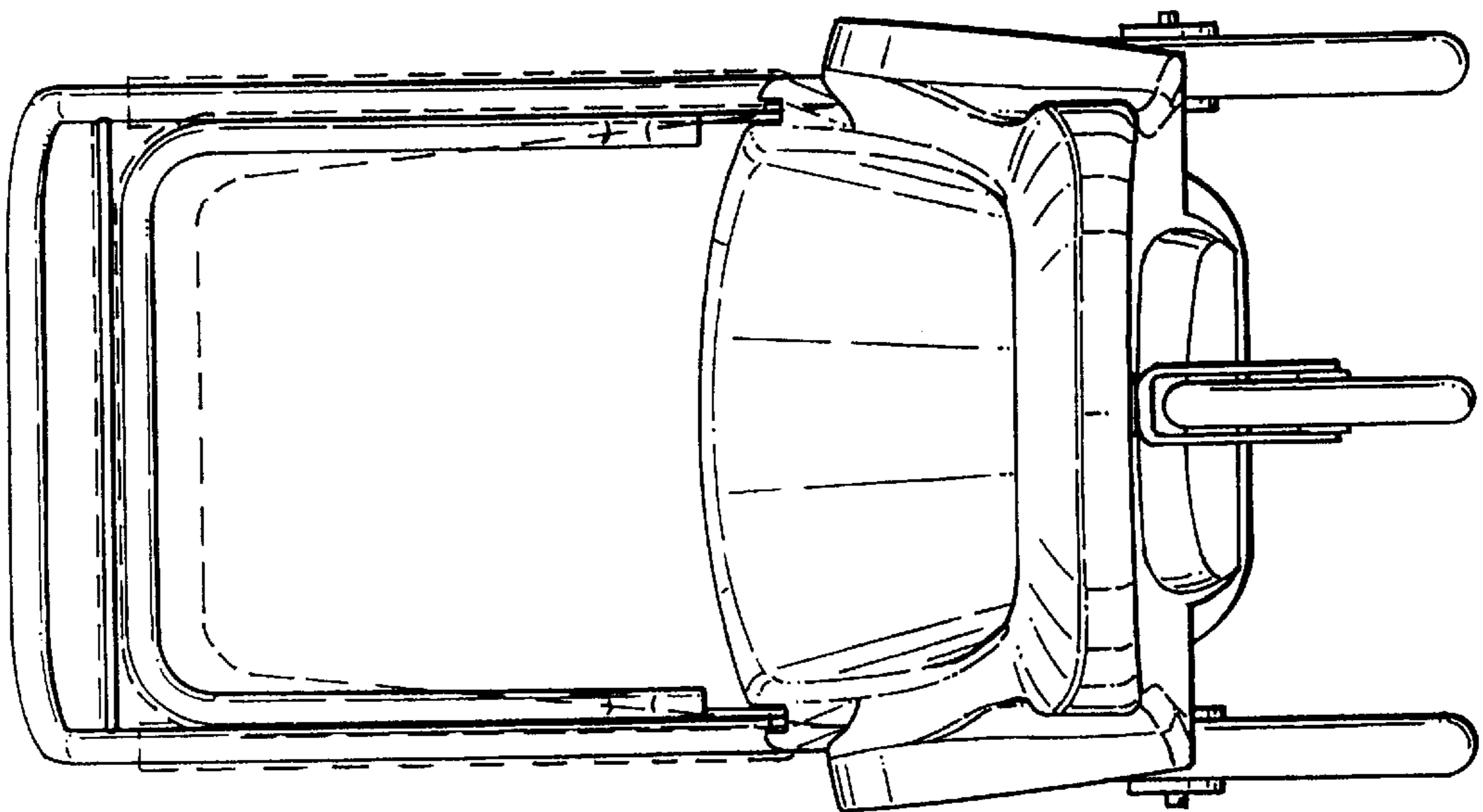


FIG. 3

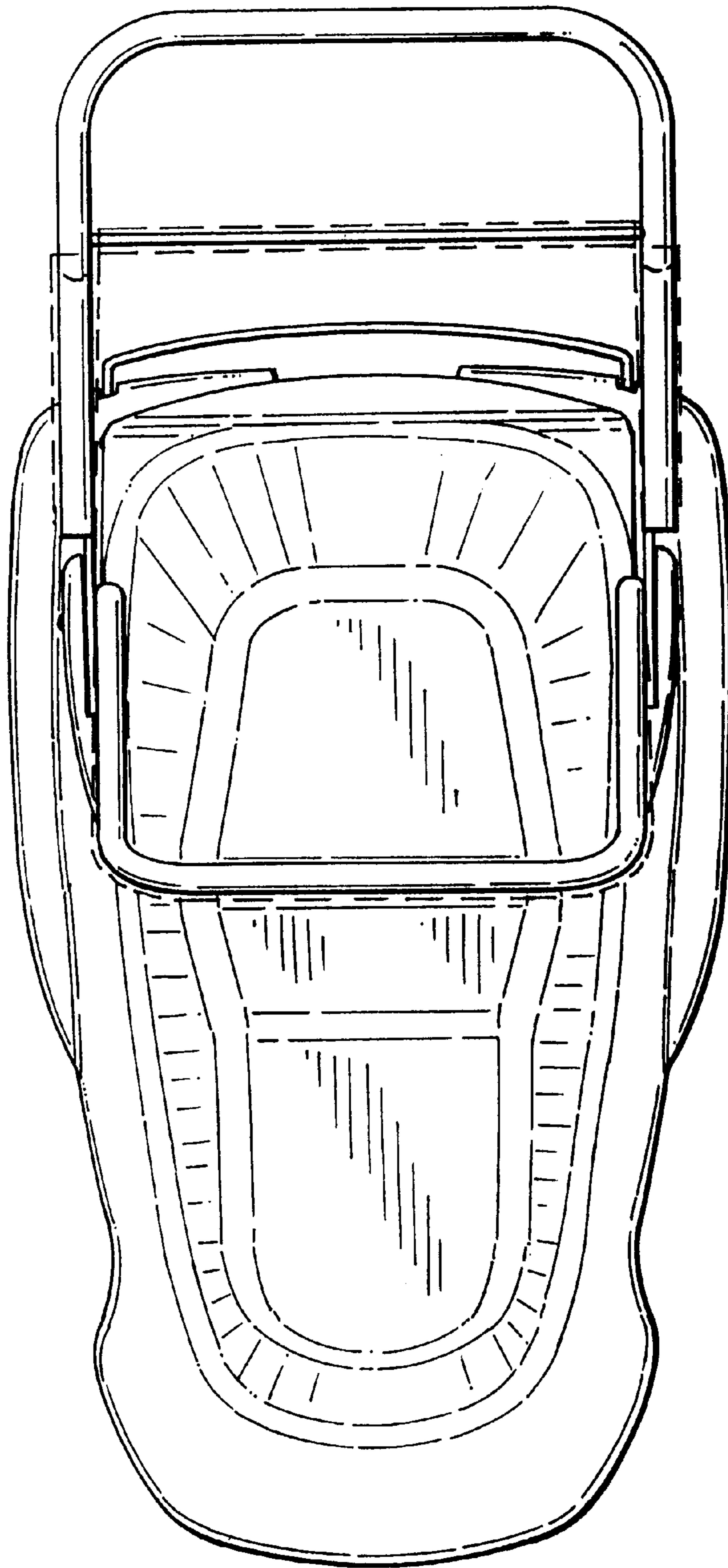


FIG. 5

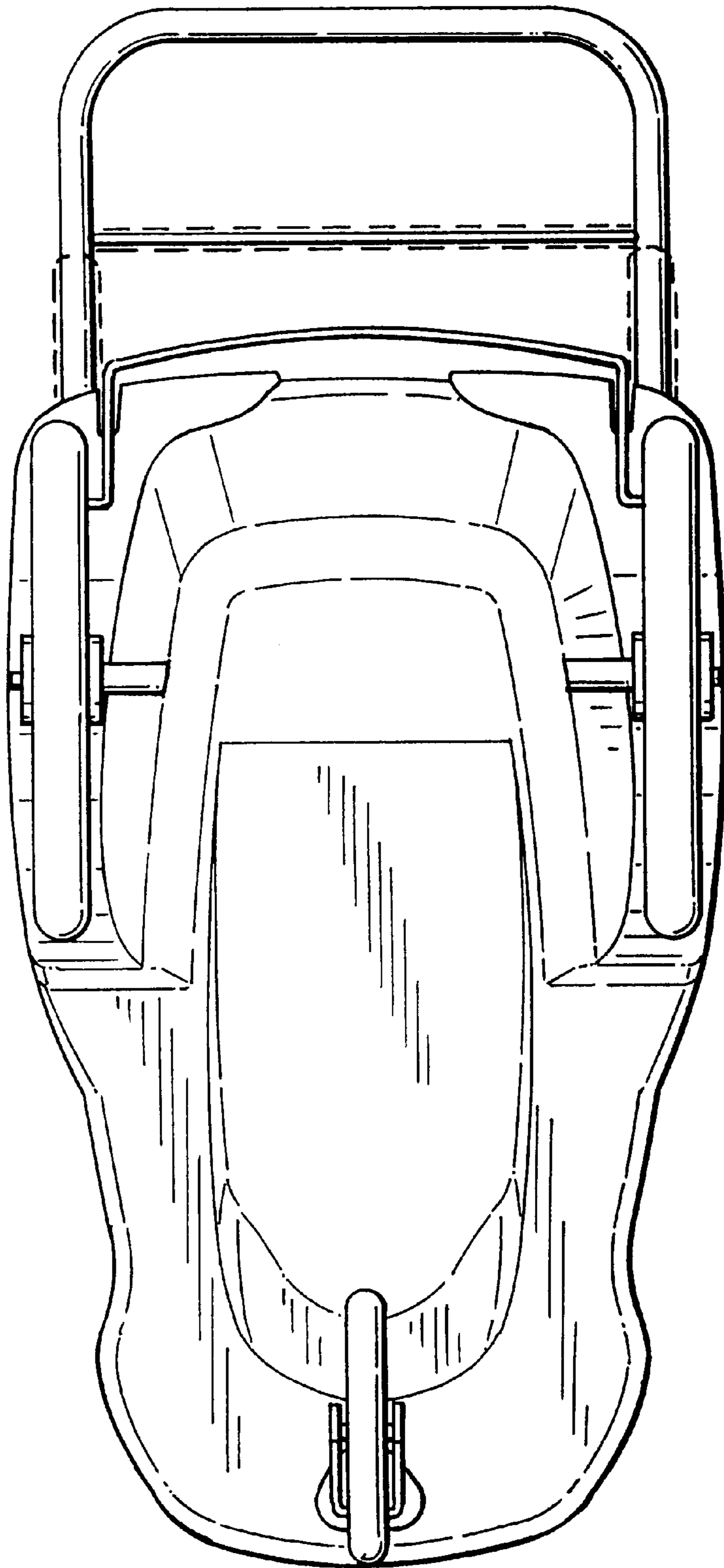


FIG. 6