



US00D415071S

United States Patent [19] Lai

[11] **Patent Number: Des. 415,071**

[45] **Date of Patent: ** Oct. 12, 1999**

[54] **BICYCLE FRAME**

D. 384,307 9/1997 Fisher D12/111
D. 398,267 9/1998 Yu et al. D12/111

[76] Inventor: **Yen-Pin Lai**, 199, Wu Tung South Road, Puhsin Hsiang, Changhua, Taiwan

Primary Examiner—Pamela Burgess
Attorney, Agent, or Firm—Smith, Gambrell & Russell, LLP; Beveridge, DeGrandi, Weilacher & Young Intellectual Property Group

[**] Term: **14 Years**

[21] Appl. No.: **29/093,951**

[57] **CLAIM**

[22] Filed: **Sep. 22, 1998**

The ornamental design for a bicycle frame, as shown and described.

[51] **LOC (6) Cl.** **12-11**

DESCRIPTION

[52] **U.S. Cl.** **D12/111**

[58] **Field of Search** D12/111, 117;
280/281.1, 288.1, 288.2, 288.3

FIG. 1 is a front view of a bicycle frame showing my new design;

[56] **References Cited**

U.S. PATENT DOCUMENTS

D. 89,132 1/1933 Lewis D12/117
D. 89,133 1/1933 Lewis D12/117
D. 379,163 5/1997 Lai .
D. 381,941 8/1997 Chan D12/111

FIG. 2 is a rear view thereof;

FIG. 3 is a left side view thereof;

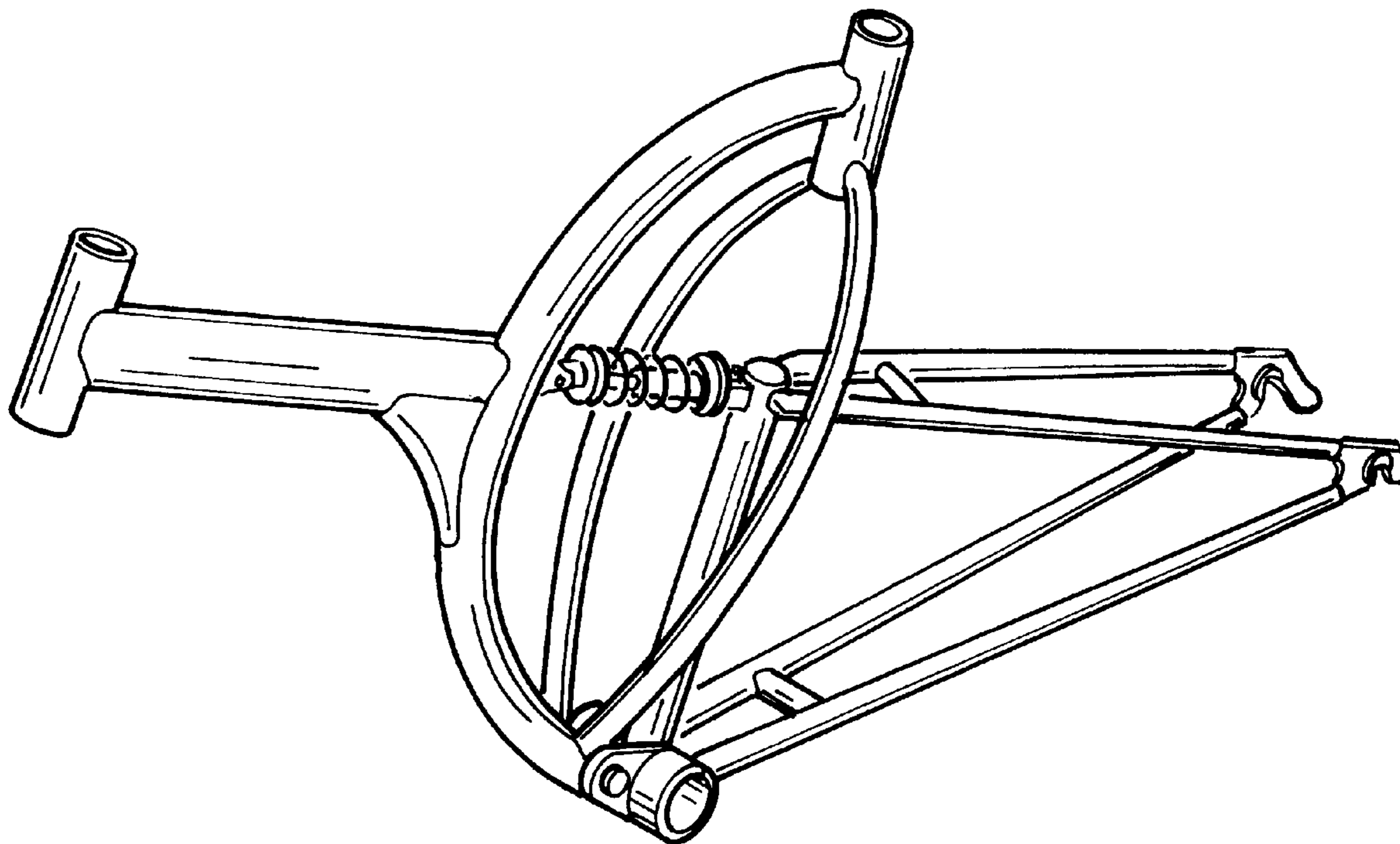
FIG. 4 is a right side view thereof;

FIG. 5 is a top view thereof;

FIG. 6 is a bottom view thereof; and,

FIG. 7 is a perspective view thereof.

1 Claim, 5 Drawing Sheets



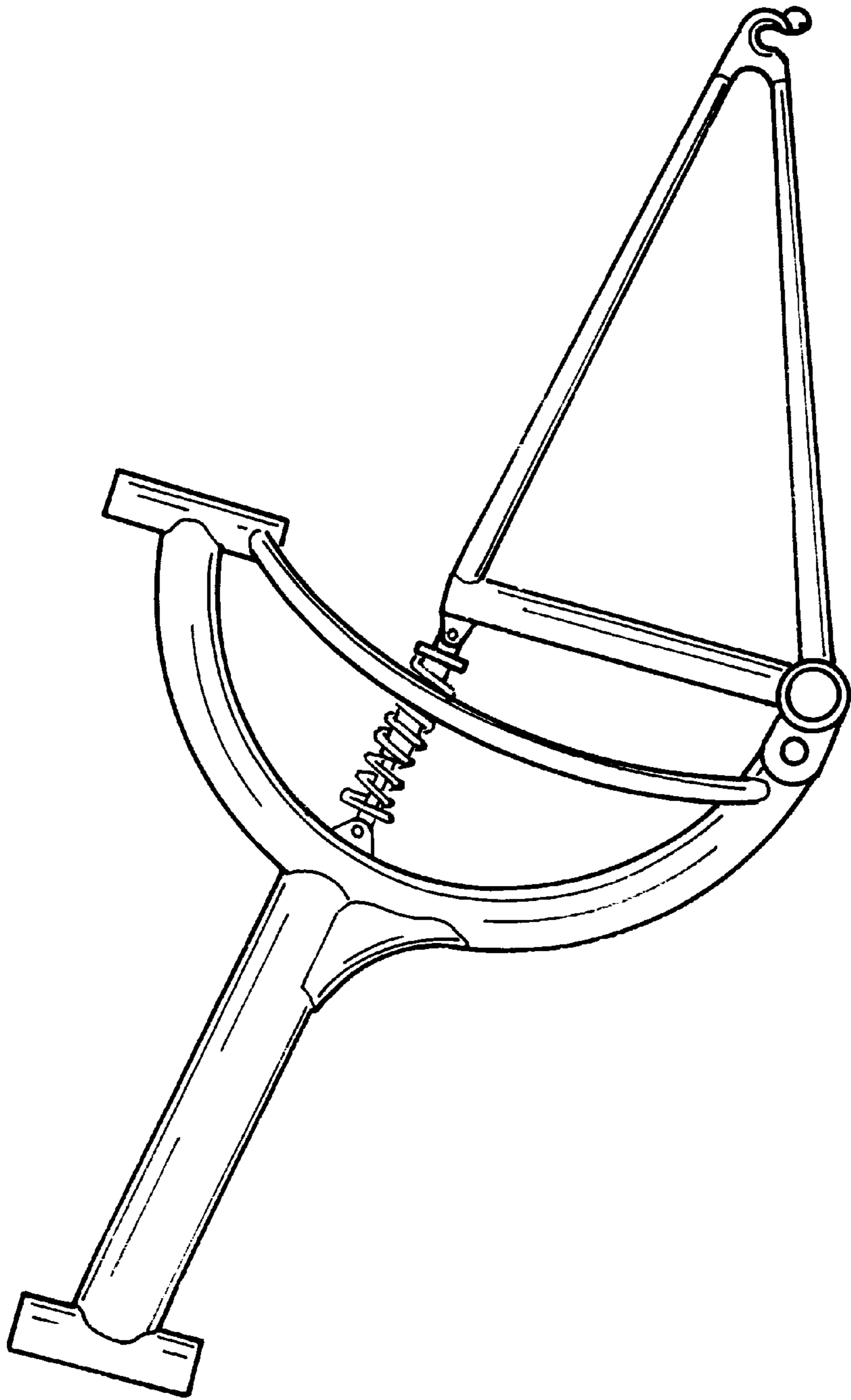


FIG. 1

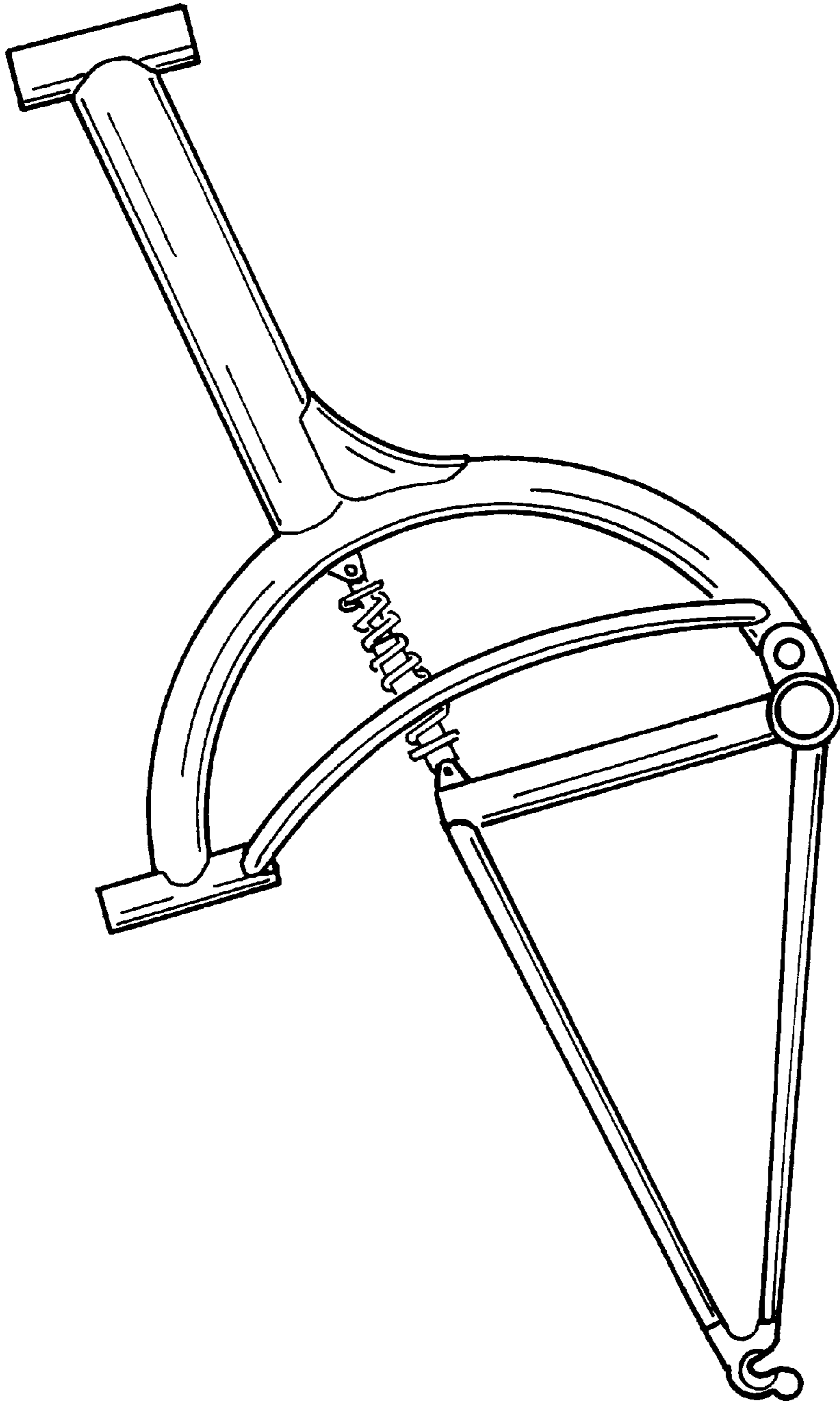


FIG. 2

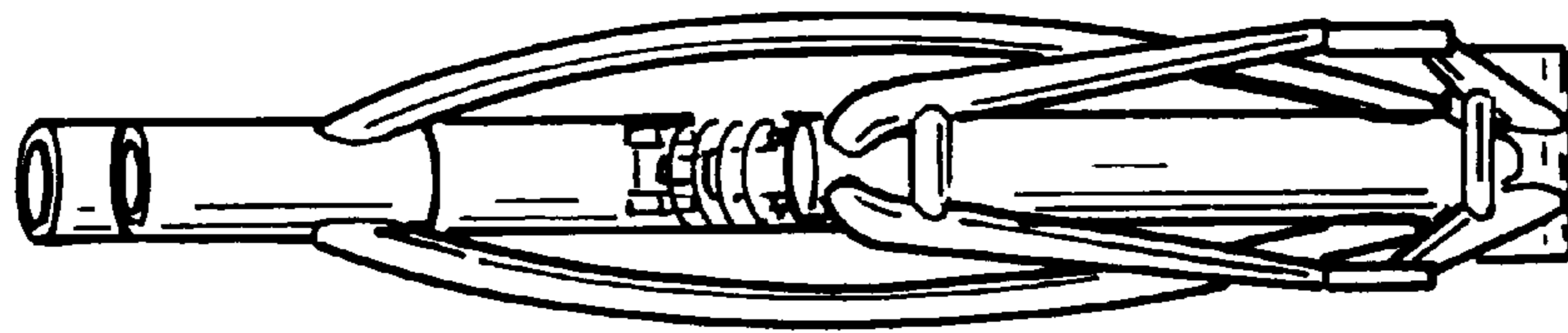


FIG. 4

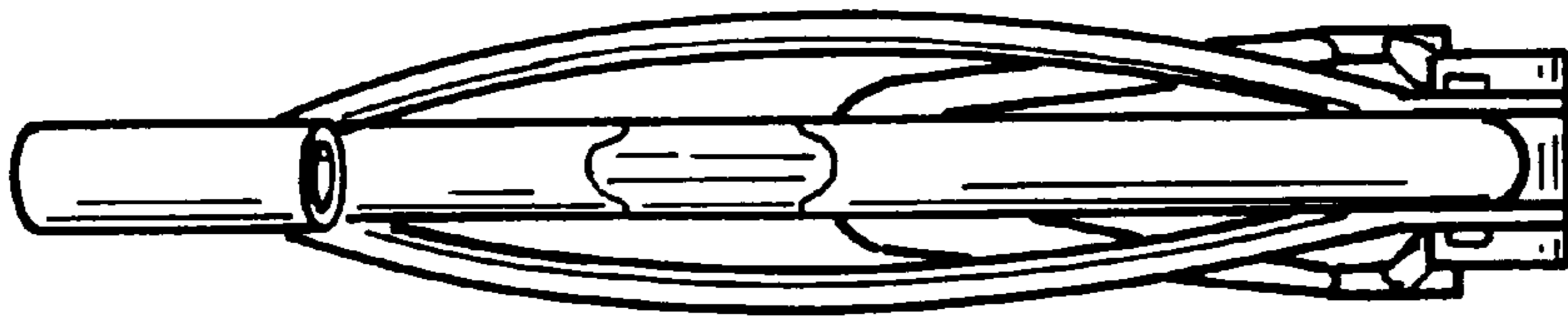


FIG. 3

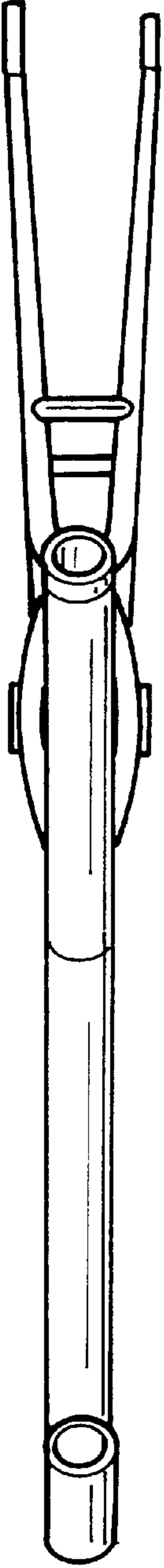


FIG. 5

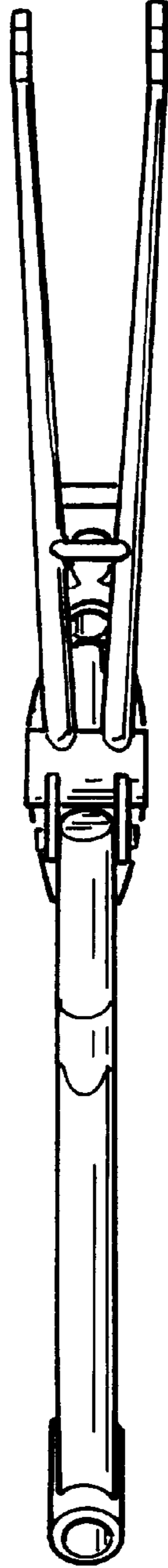


FIG. 6

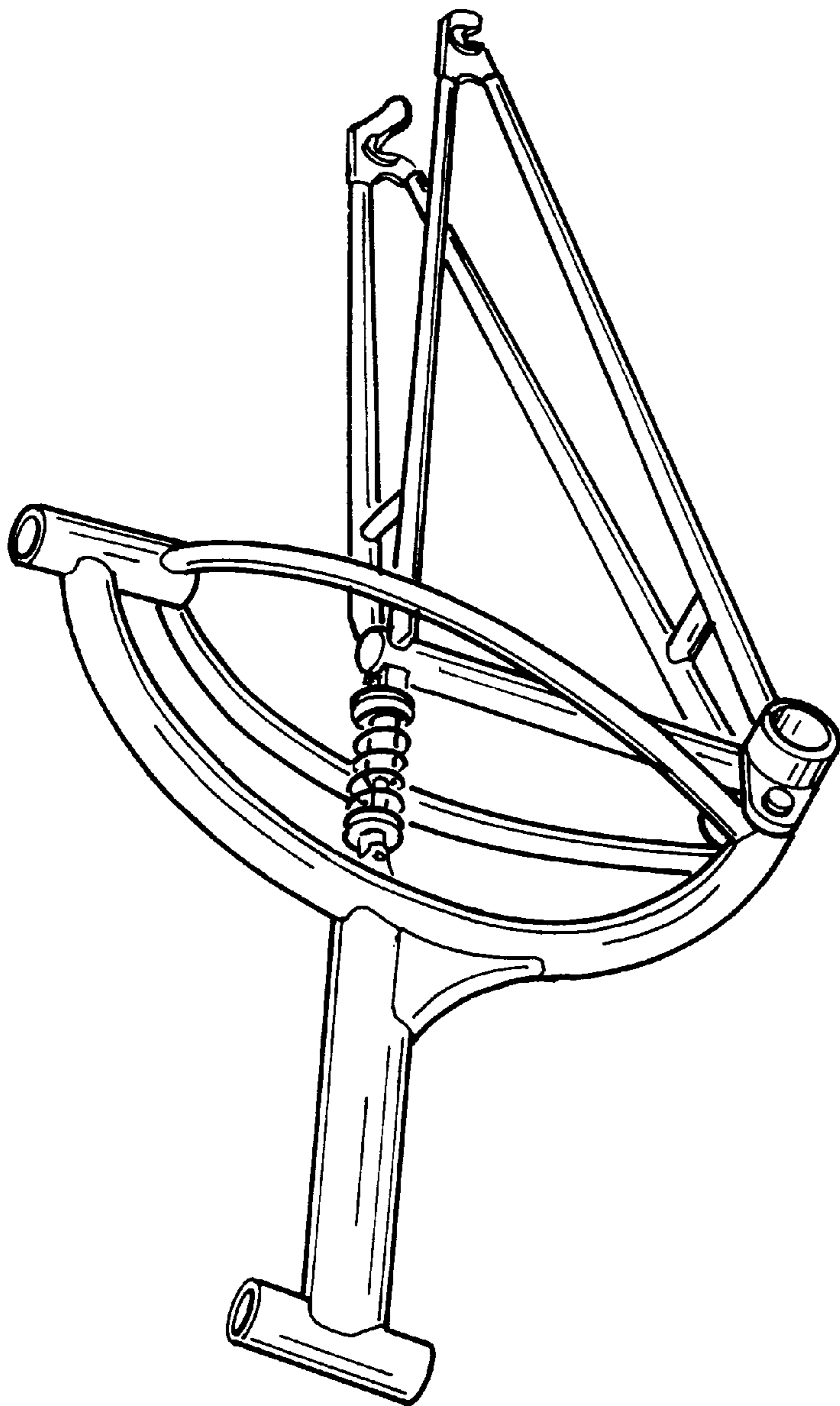


FIG. 7