



US00D415069S

United States Patent [19]

Odette et al.

[11] Patent Number: Des. 415,069

[45] Date of Patent: ** Oct. 12, 1999

[54] AUTOMOBILE BODY

D. 394,819 6/1998 Hubbach et al. D12/92
D. 396,664 8/1998 Doniface et al. D12/92

[75] Inventors: **Thomas C. Odette**, Bloomfield Hills;
John D. Bucci, Rochester Hills; **Ernest J. Barry**; **Robert N. Hubbach**, both of Clarkston; **K. Neil Walling**, Leonard, all of Mich.

Primary Examiner—Melodyn N. Brown
Attorney, Agent, or Firm—Mark P. Calcaterra

[73] Assignee: **DaimlerChrysler Corporation**, Auburn Hills, Mich.

[57] CLAIM

The ornamental design for an automobile body, as shown and described.

[**] Term: 14 Years

DESCRIPTION

[21] Appl. No.: 29/078,459

FIG. 1 is a front perspective view illustrating a first embodiment of an automobile body constructed in accordance with the teachings of the present invention.

[22] Filed: Oct. 27, 1997

FIG. 2 is a left side view thereof.

[51] LOC (6) Cl. 12-08

FIG. 3 is a right side view thereof.

[52] U.S. Cl. D12/92

FIG. 4 is a front view thereof.

[58] Field of Search D12/90-92; 296/185

FIG. 5 is a rear view thereof.

FIG. 6 is a rear perspective view of illustrating a second embodiment of an automobile body constructed in accordance with the teachings of the present invention.

[56] References Cited

U.S. PATENT DOCUMENTS

D. 345,324	3/1994	Bucci et al.	D12/92
D. 347,200	5/1994	Anness et al.	D12/92
D. 350,086	8/1994	Kong et al.	D12/92
D. 356,758	3/1995	Ackerman et al.	D12/92
D. 361,046	8/1995	Watkins et al.	D12/92
D. 370,876	6/1996	Santoro et al.	D12/92
D. 378,203	2/1997	Huang	D12/92
D. 391,522	3/1998	Hall et al.	D12/92

FIG. 7 is a right side view thereof.

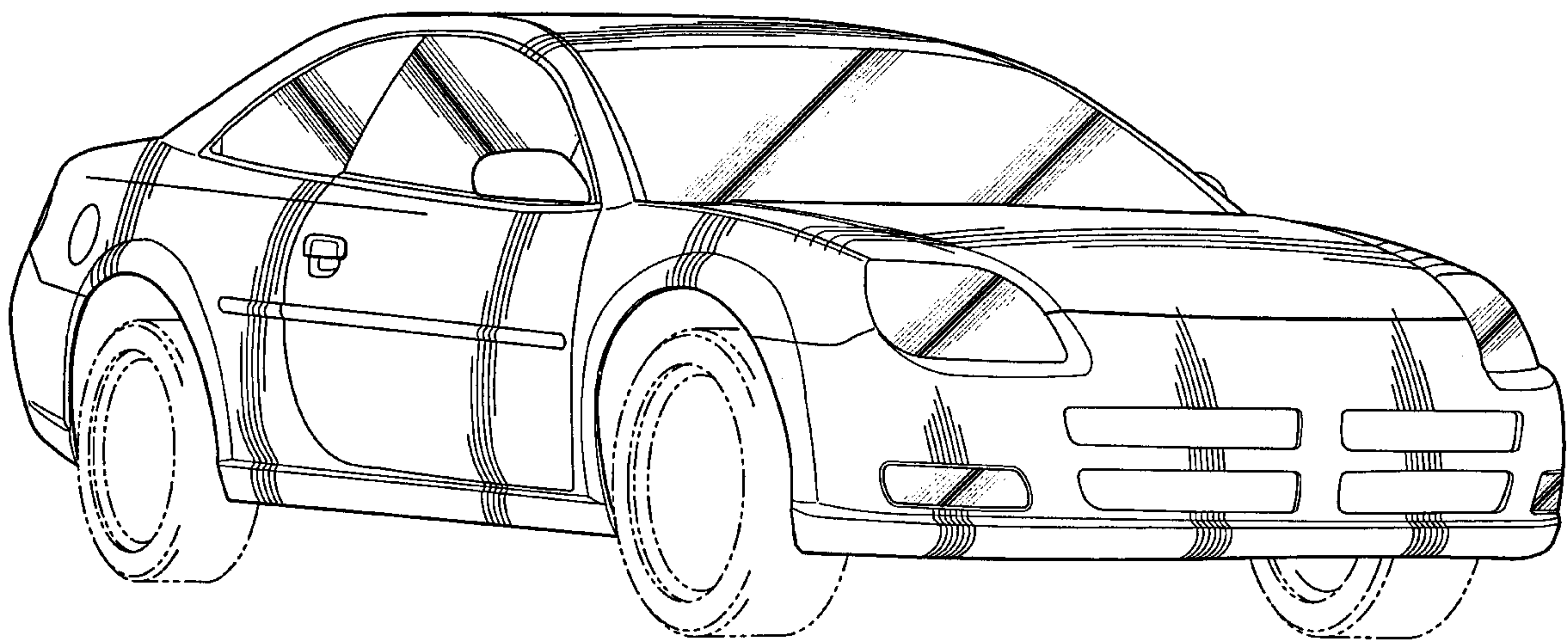
FIG. 8 is a left side view thereof.

FIG. 9 is a front view thereof; and,

FIG. 10 is a rear view thereof.

It will be understood that the broken line showing of the wheels and tires throughout the drawings is for illustrative purposes only and forms no part of the subject invention.

1 Claim, 8 Drawing Sheets



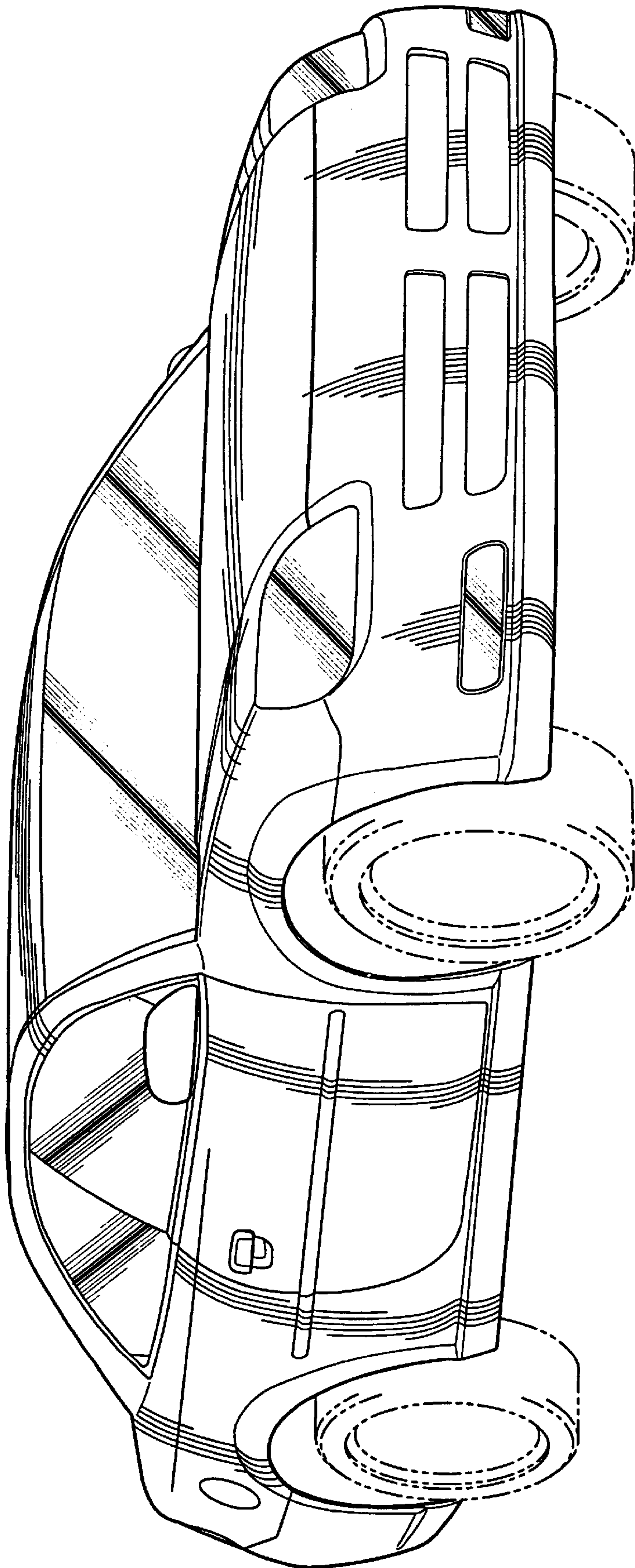


Fig-1

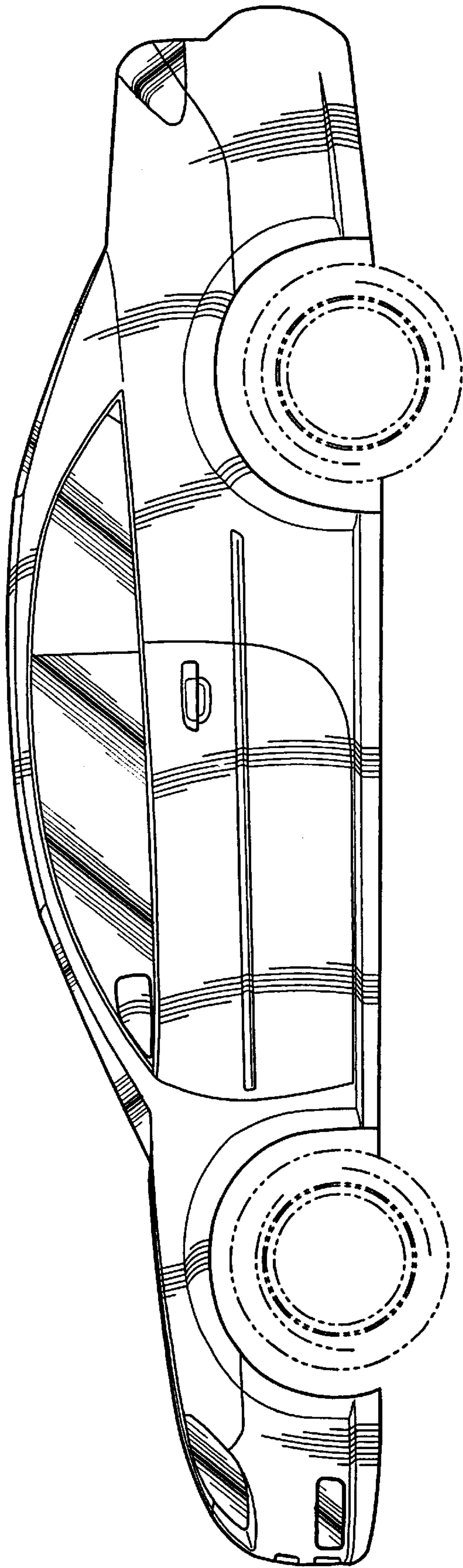


Fig-2

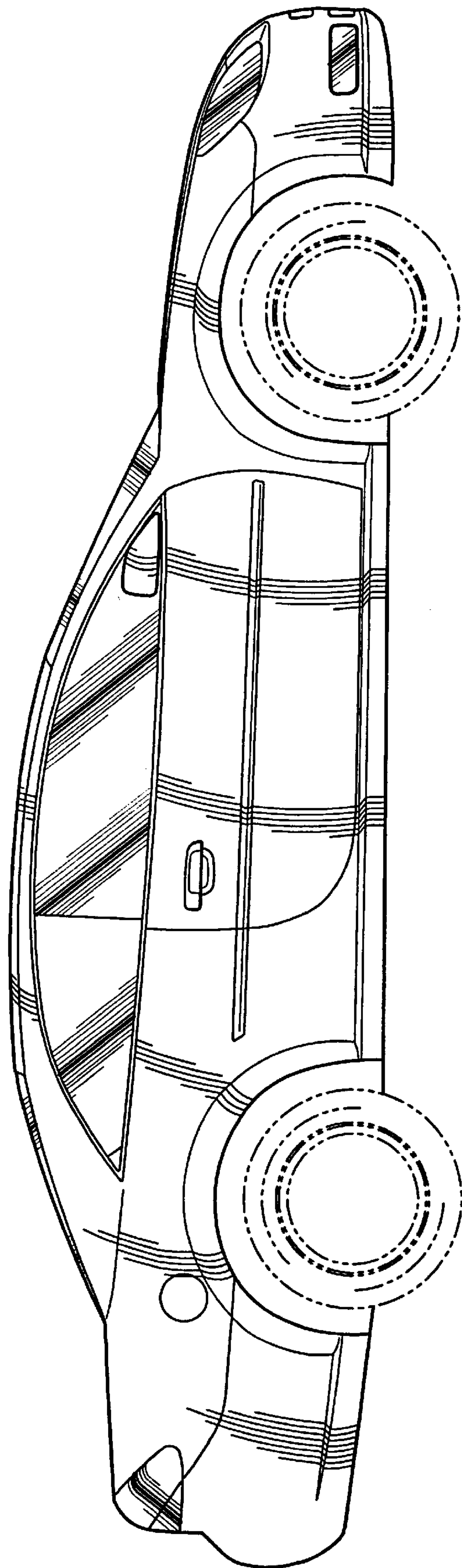


Fig-3

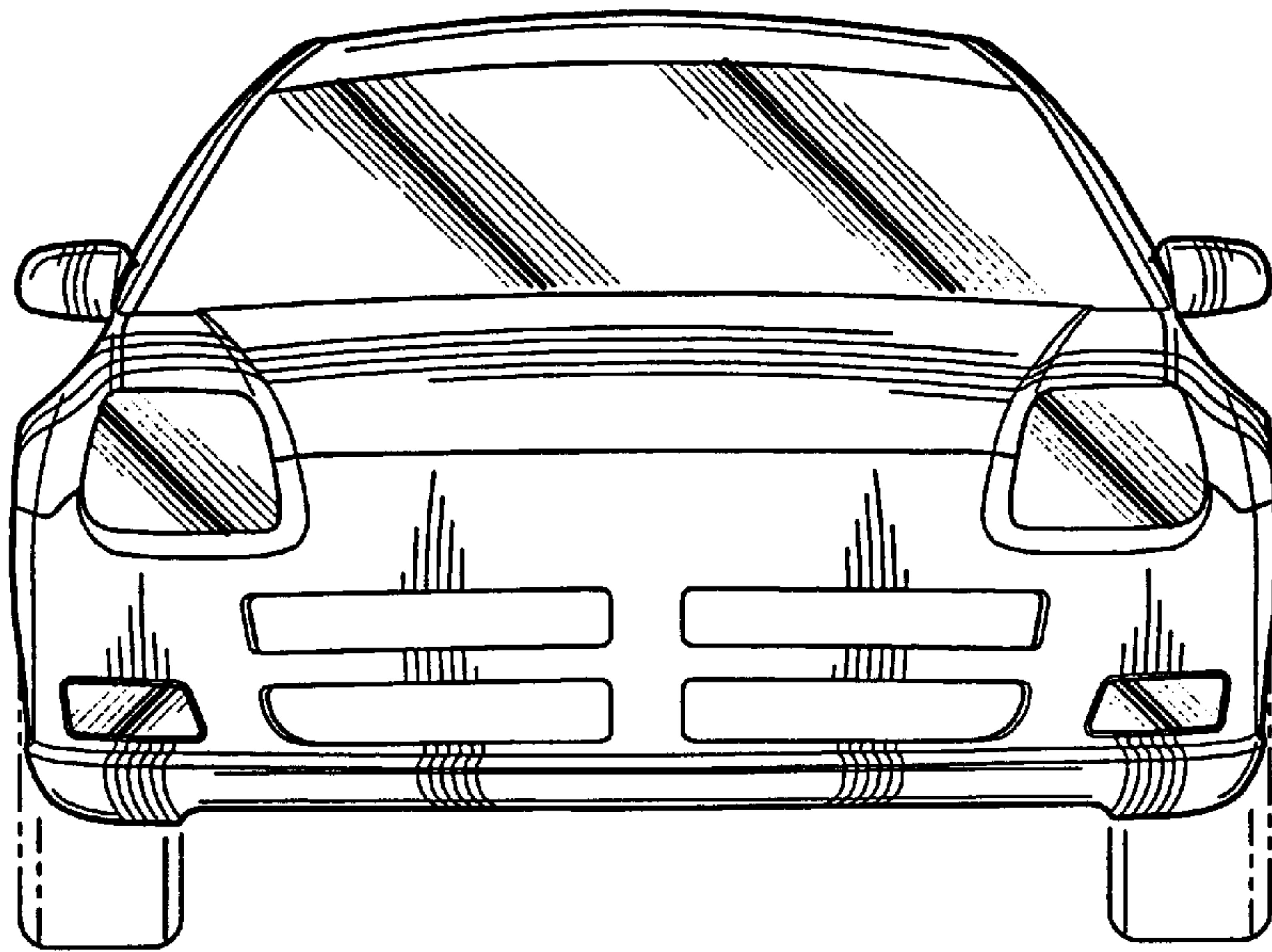


Fig-4

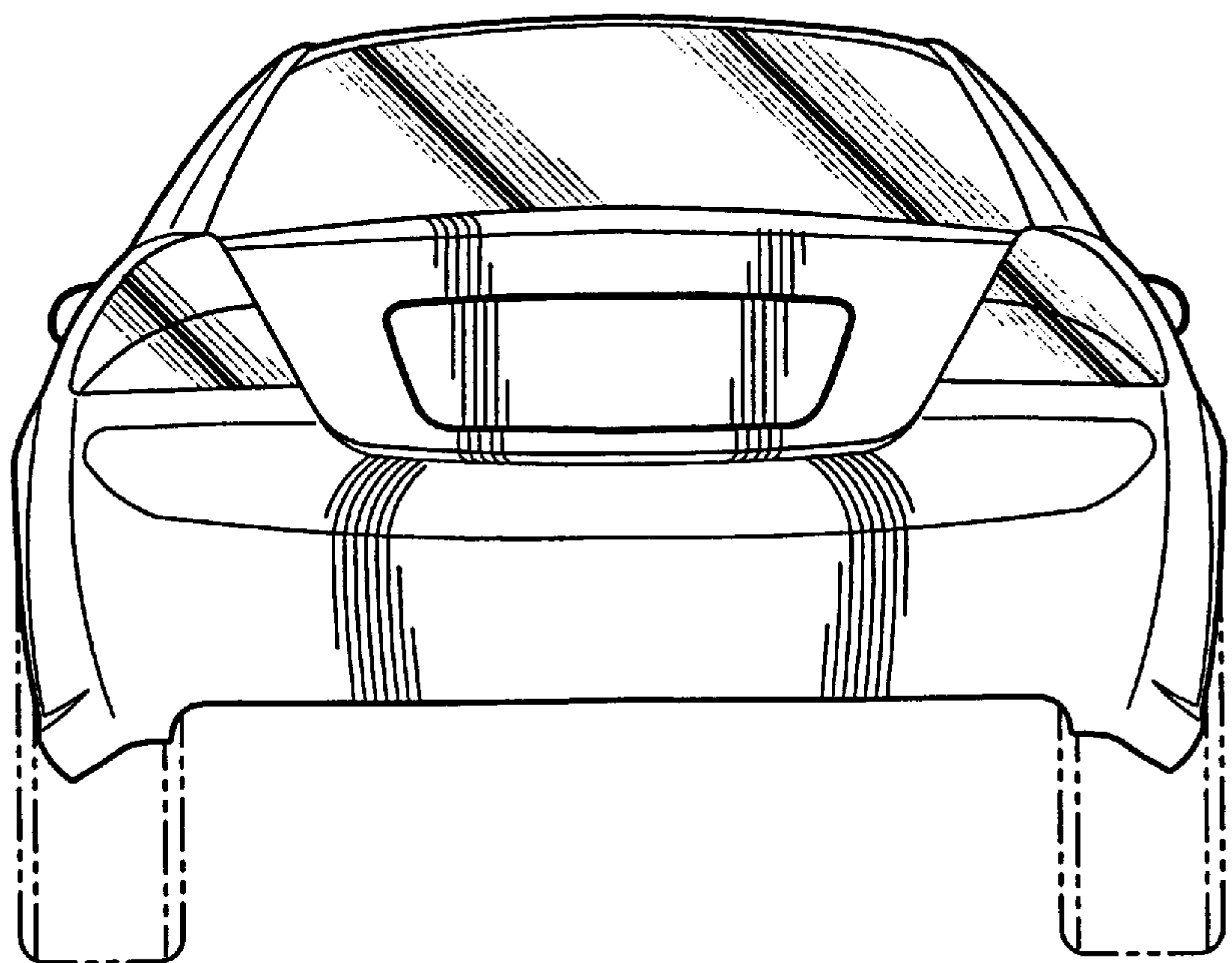


Fig-5

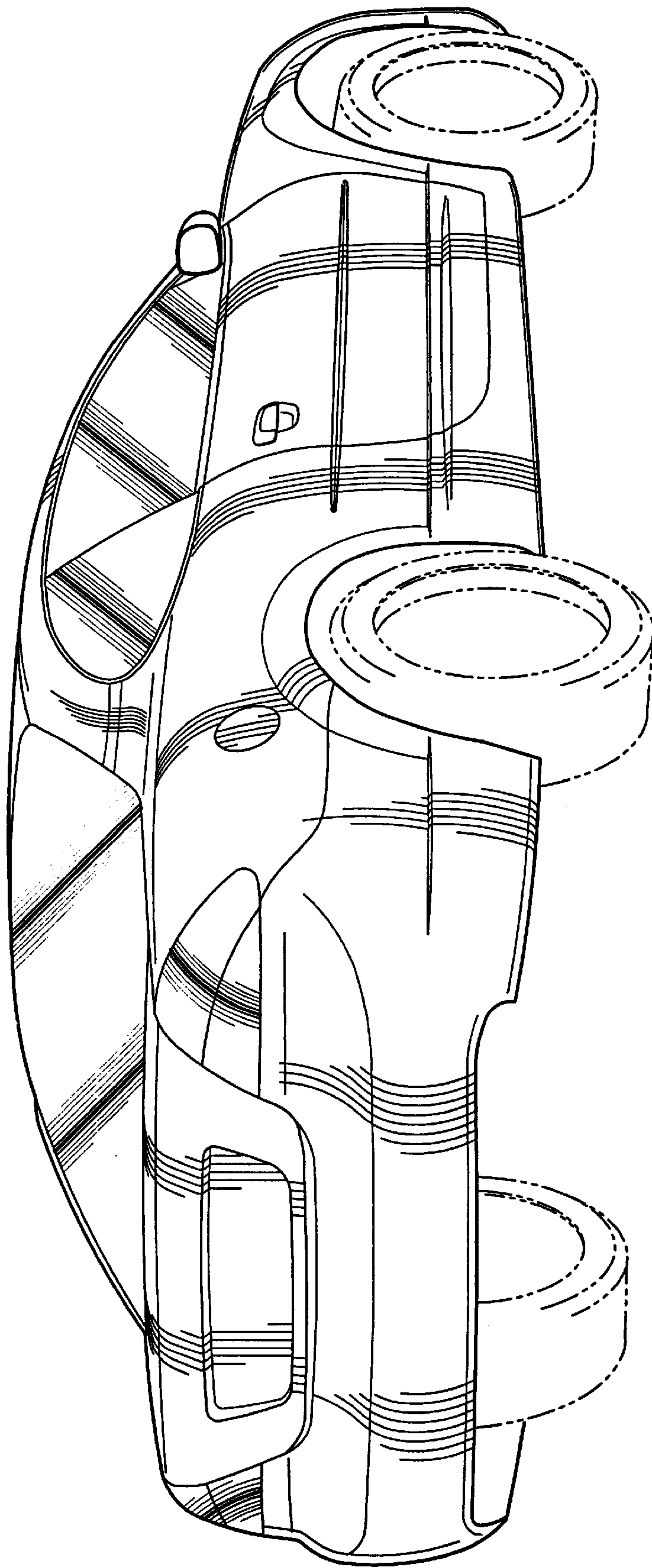


Fig-6

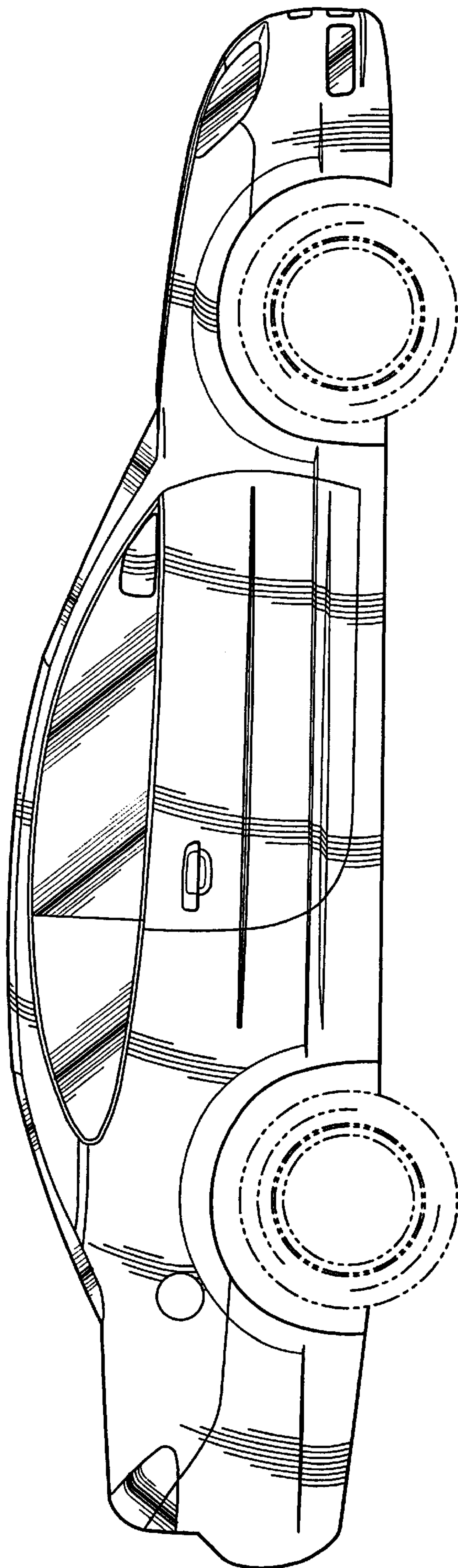


Fig-7

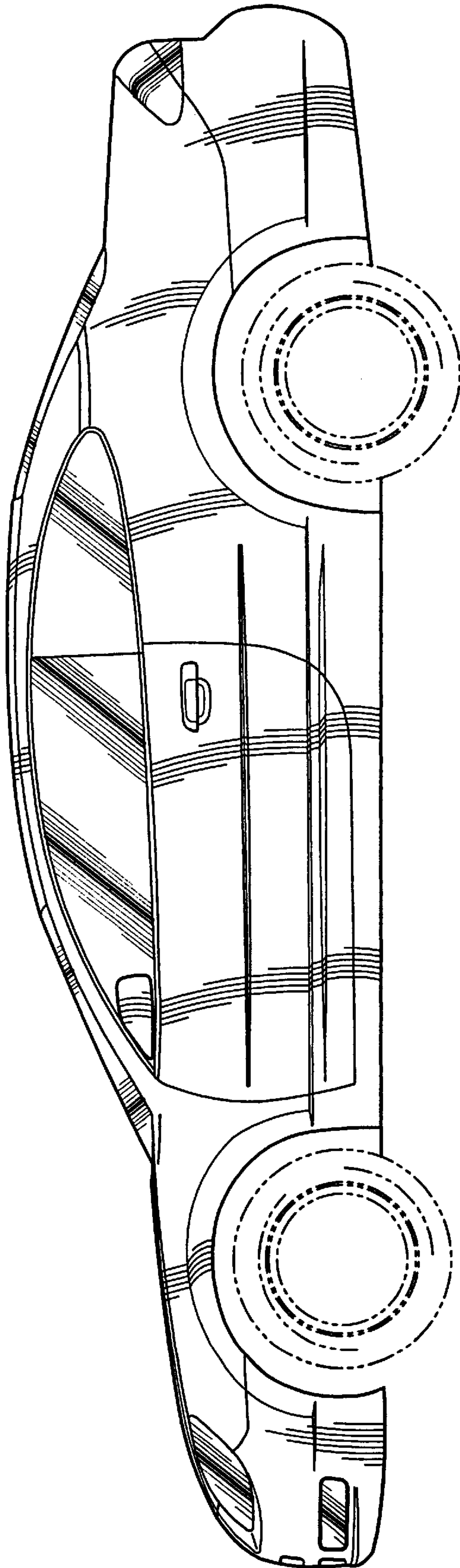


Fig-8

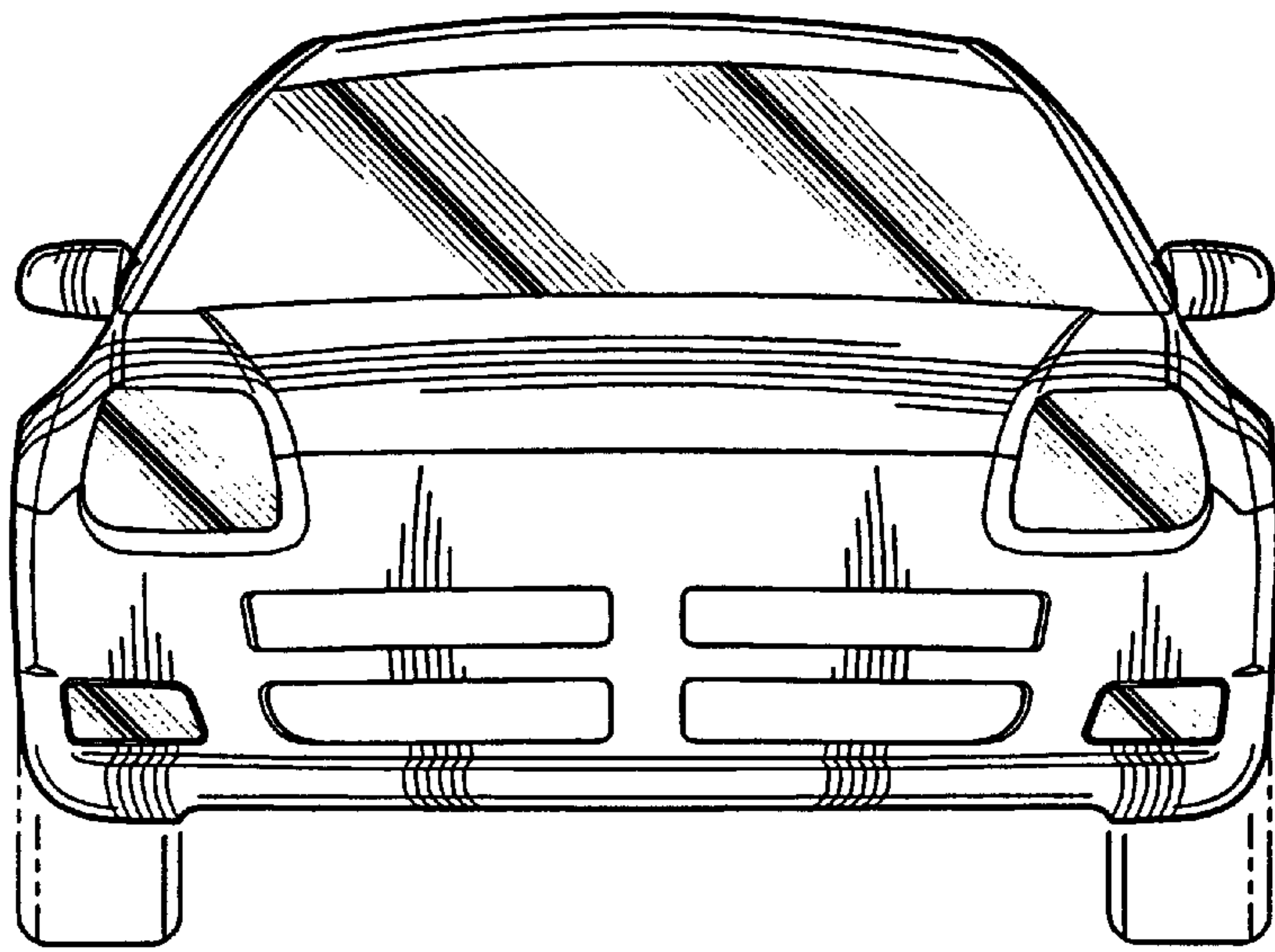


Fig-9

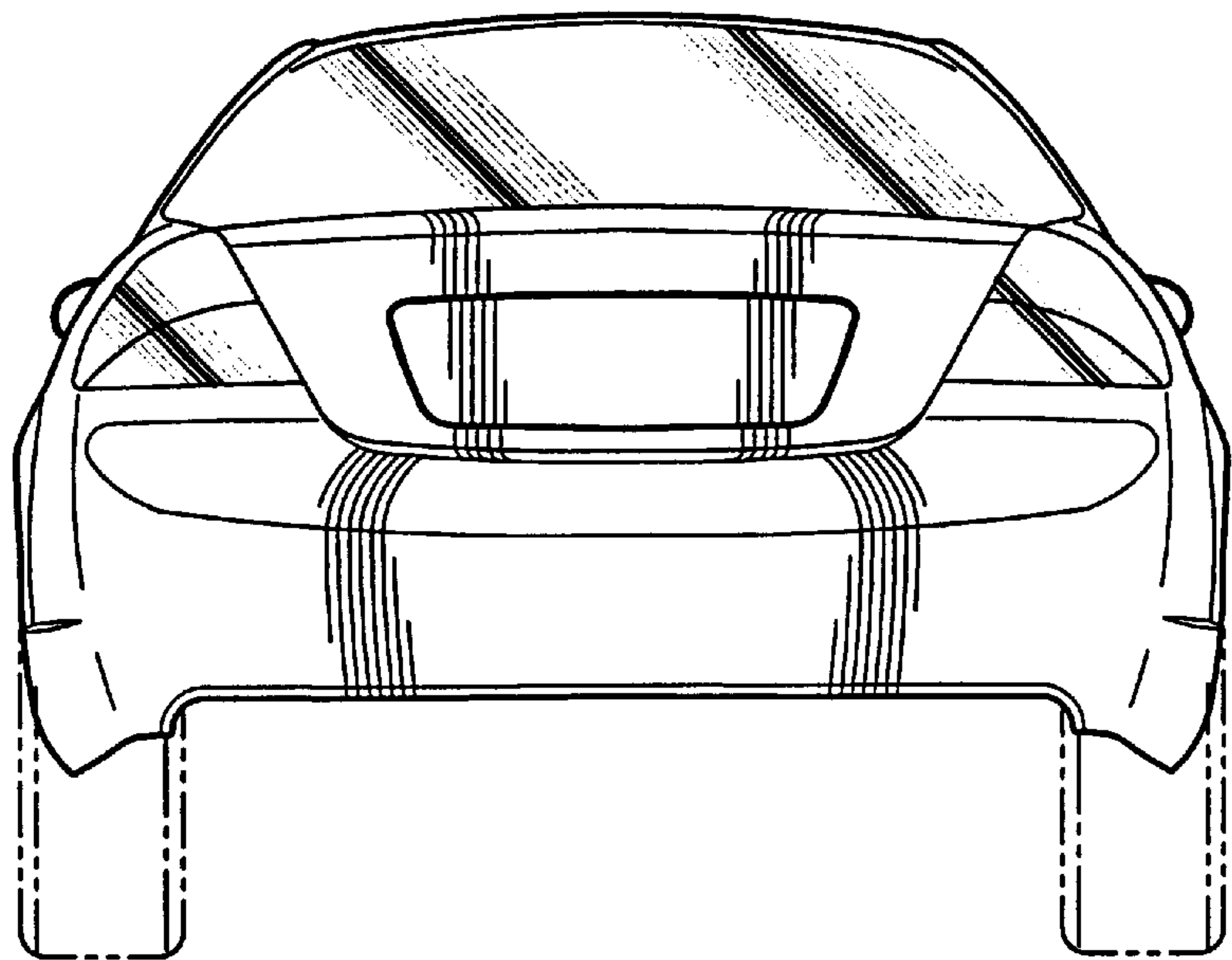


Fig-10