



US00D415067S

United States Patent [19] Tung

[11] **Patent Number: Des. 415,067**

[45] **Date of Patent: ** Oct. 12, 1999**

[54] **HOOK FOR FASTENING BELT DEVICE**

D. 316,956 5/1991 Hoskinson et al. D8/367
620,938 3/1899 Lawrence D11/200

[76] Inventor: **Chin Tung**, No. 13, Avenue 1, Lane
225, Tai Ping Road, Tai Ping City,
Taichung Hsien, Taiwan

Primary Examiner—Ralf Seifert

[**] Term: **14 Years**

[57] **CLAIM**

The ornamental design for a hook for fastening belt device,
as shown and described.

[21] Appl. No.: **29/092,152**

[22] Filed: **Aug. 13, 1998**

DESCRIPTION

[51] **LOC (6) Cl.** **11-07**

[52] **U.S. Cl.** **D11/200; D8/367**

[58] **Field of Search** D11/200, 201,
D11/208, 210, 212–215, 218, 94; D8/367,
373, 382, 383, 370, 371; 70/456 R; 24/31 R,
32, 33 F, 33 B, 35, 36, 68 R, 69 ST, 369,
483; 248/200

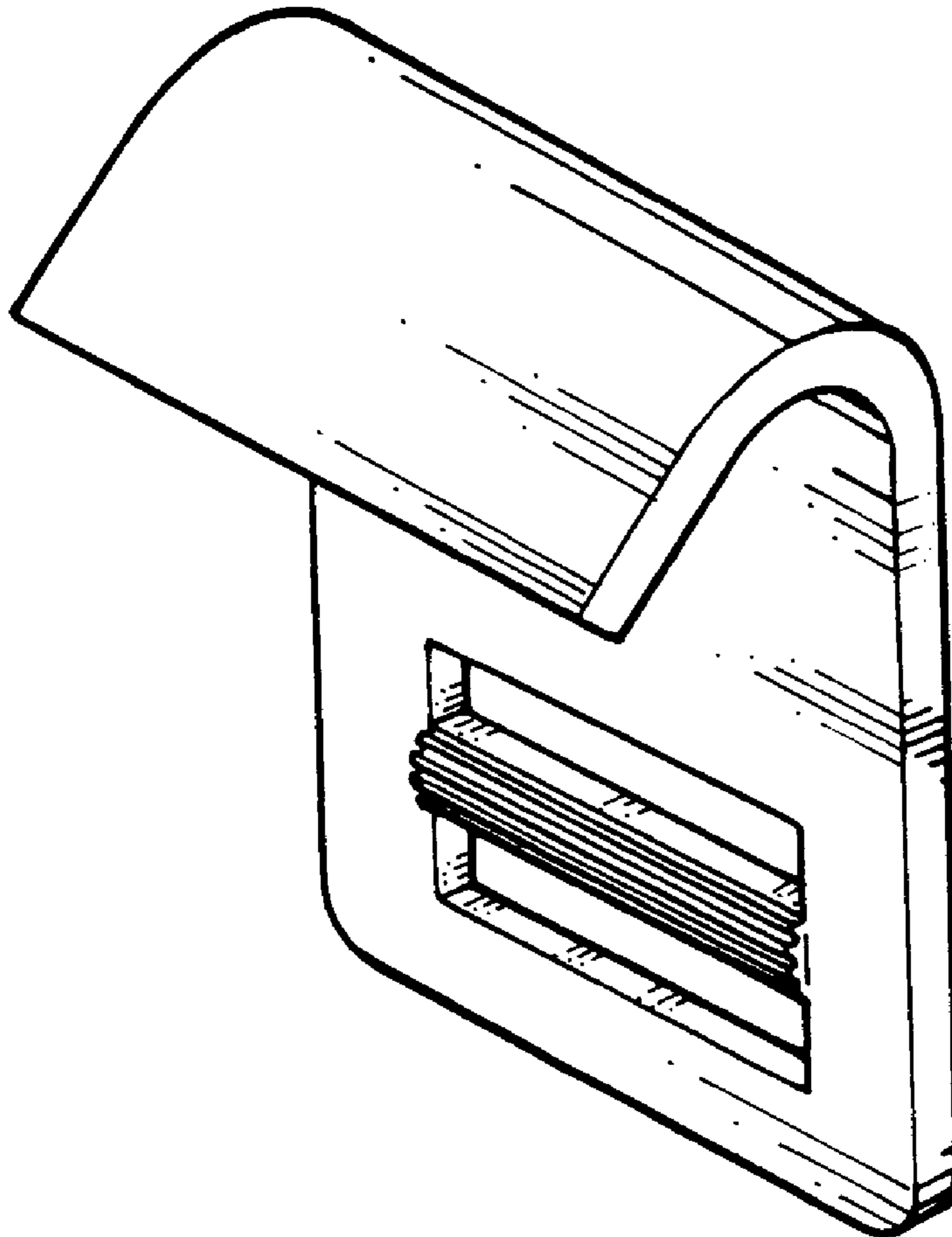
FIG. 1 is a front perspective view of a hook for a fastening
belt device showing my new design;
FIG. 2 is a front elevational view thereof;
FIG. 3 is a rear elevational view thereof;
FIG. 4 is a top plan view thereof;
FIG. 5 is a bottom plan view thereof;
FIG. 6 is a left side elevational view thereof;
FIG. 7 is a right side elevational view thereof; and,
FIG. 8 is a rear perspective view embodying the utilization
of my new design, the fastening belt device depicted by
means of broken lines being for illustrative purposes only
and forming no part of the claimed design.

[56] **References Cited**

U.S. PATENT DOCUMENTS

D. 26,680 2/1897 Faatz D8/371
D. 28,535 5/1898 Eckstein D11/208
D. 315,289 3/1991 Rankin D8/373

1 Claim, 3 Drawing Sheets



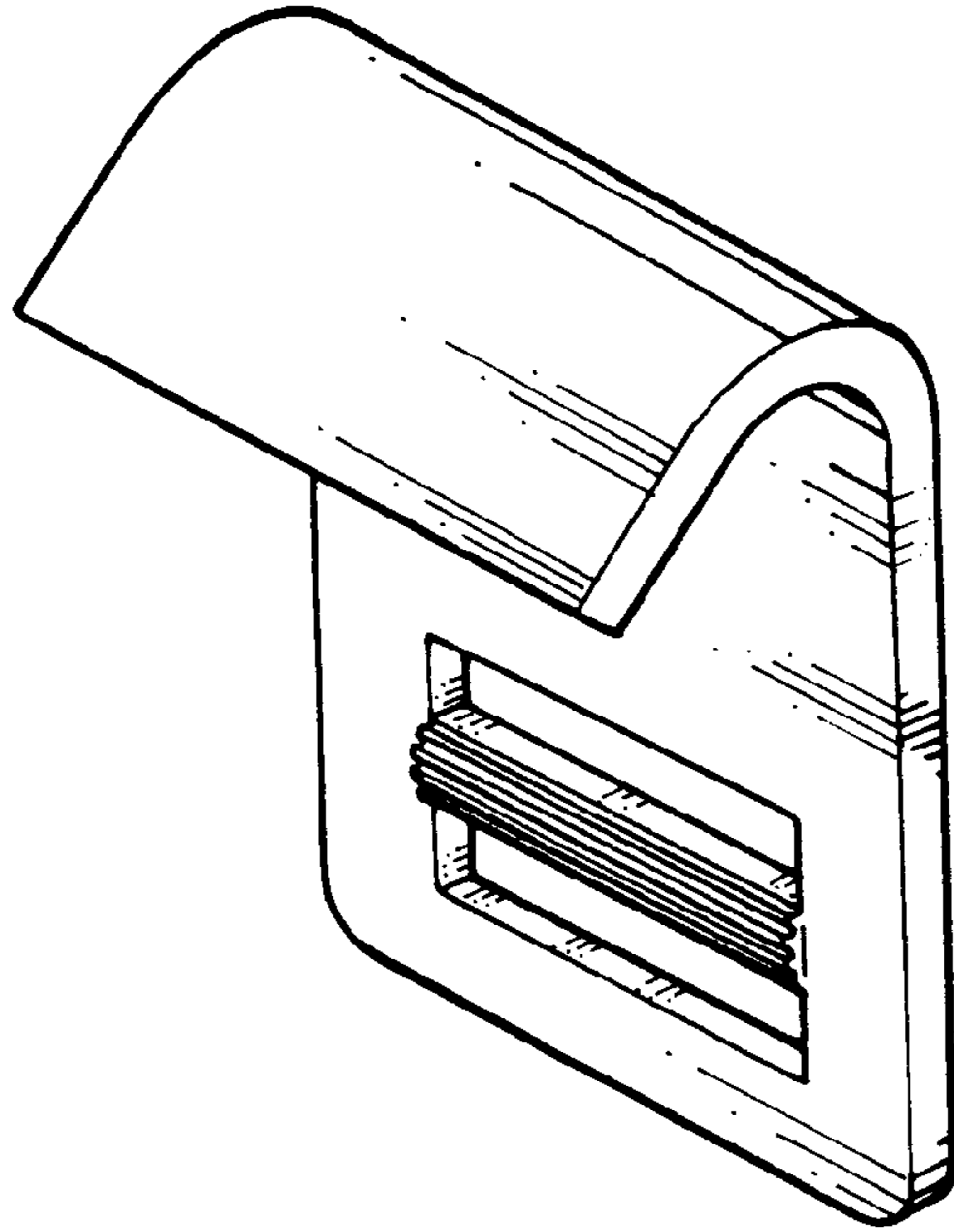


FIG. 1

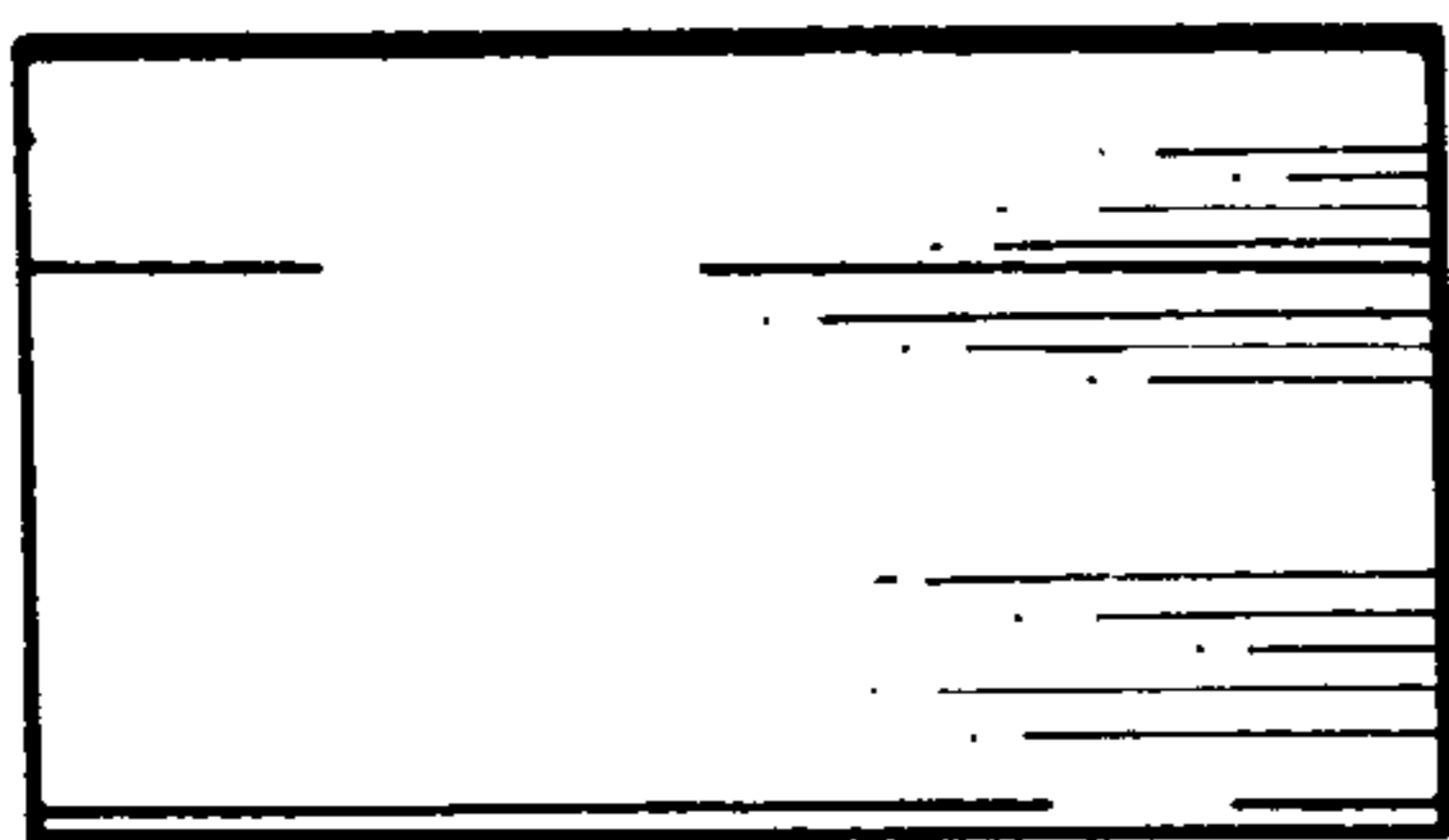


FIG. 4

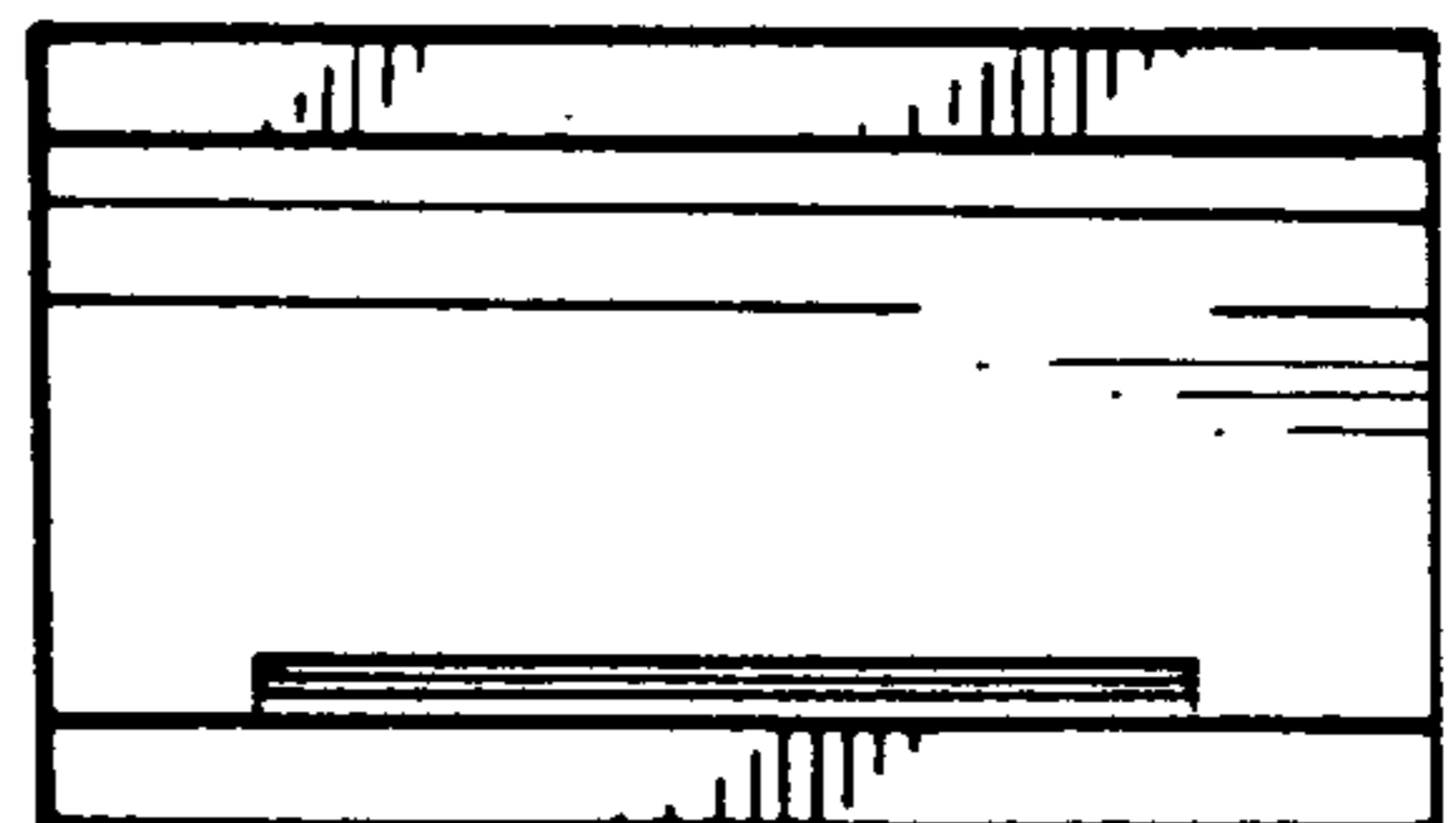


FIG. 5

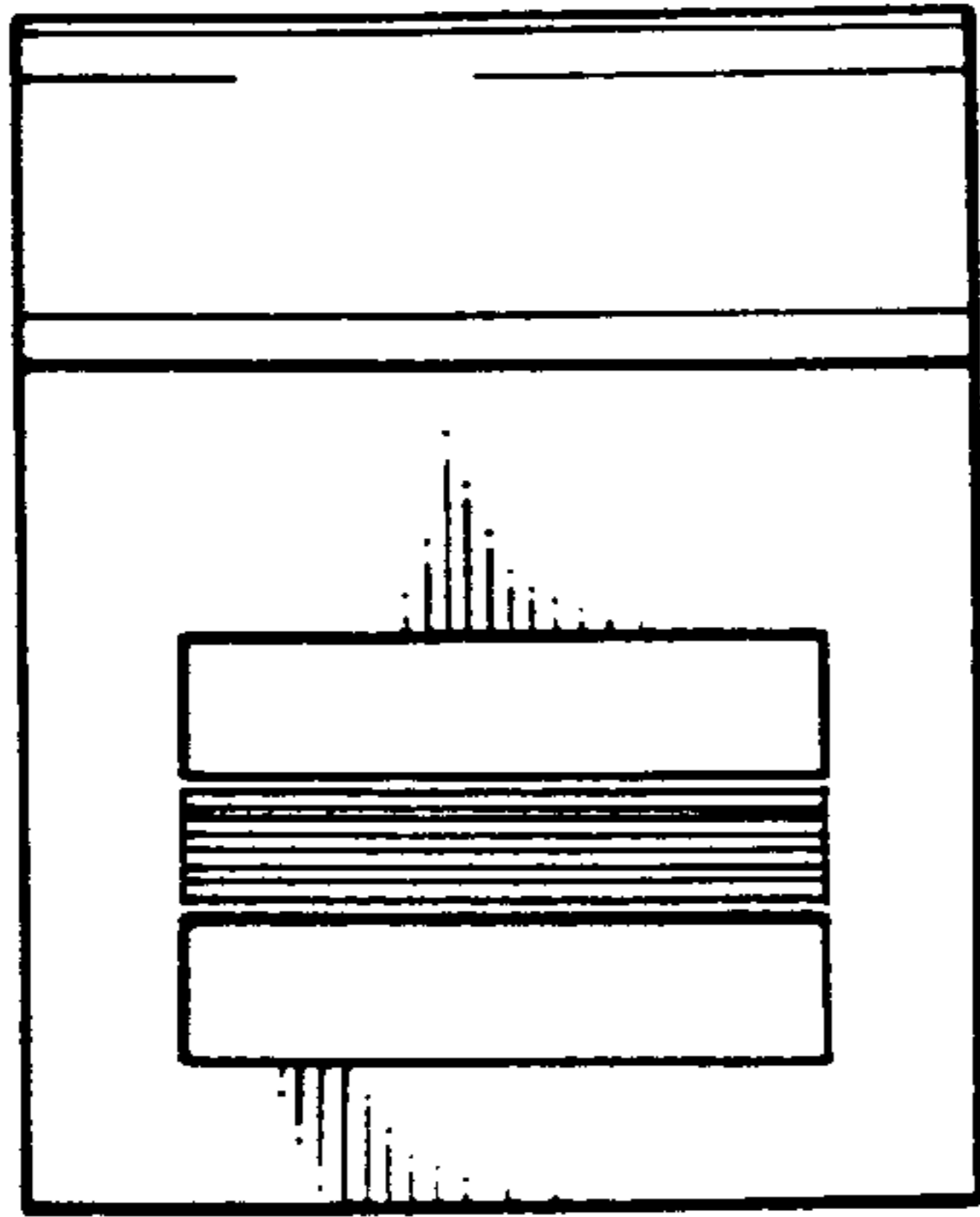


FIG. 2

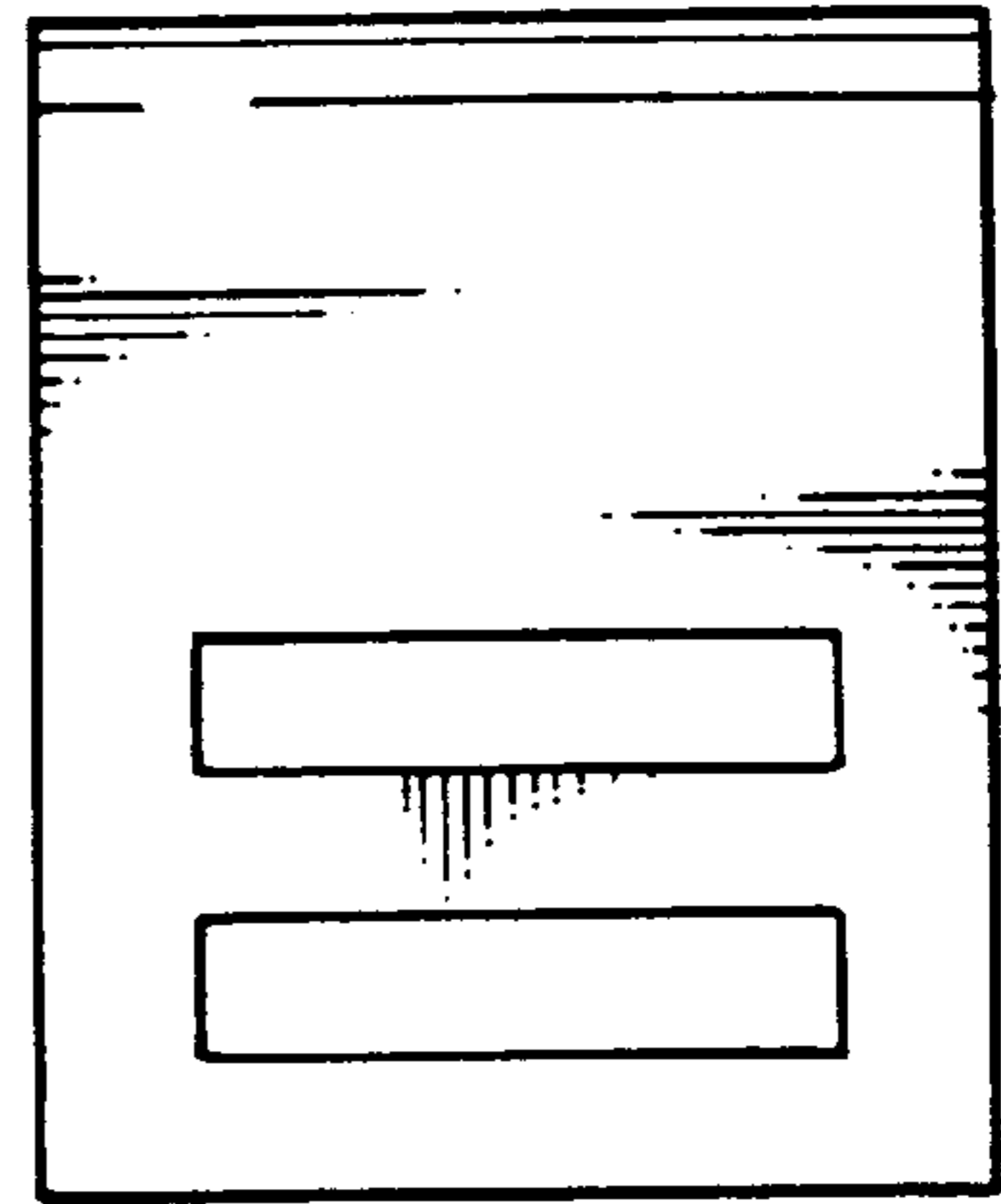


FIG. 3

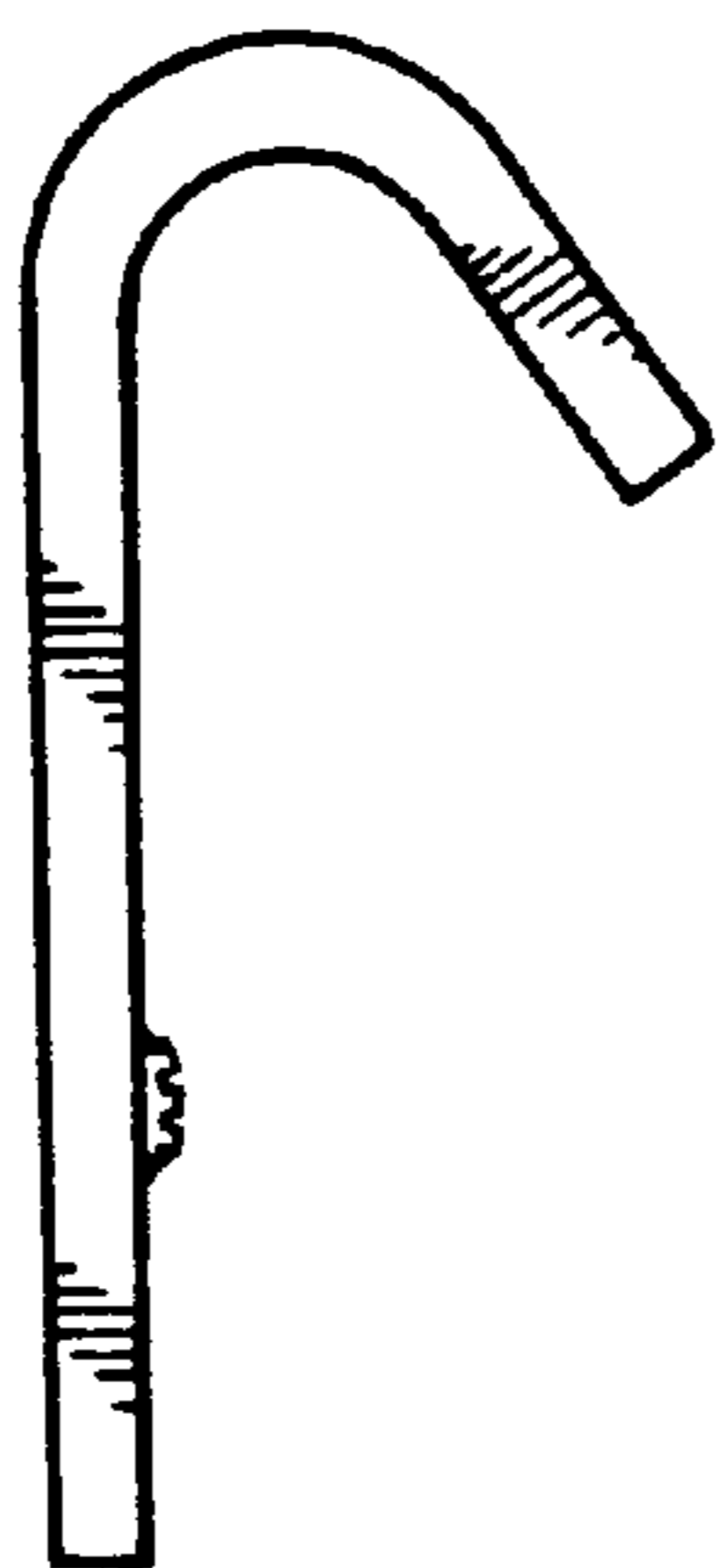


FIG. 6

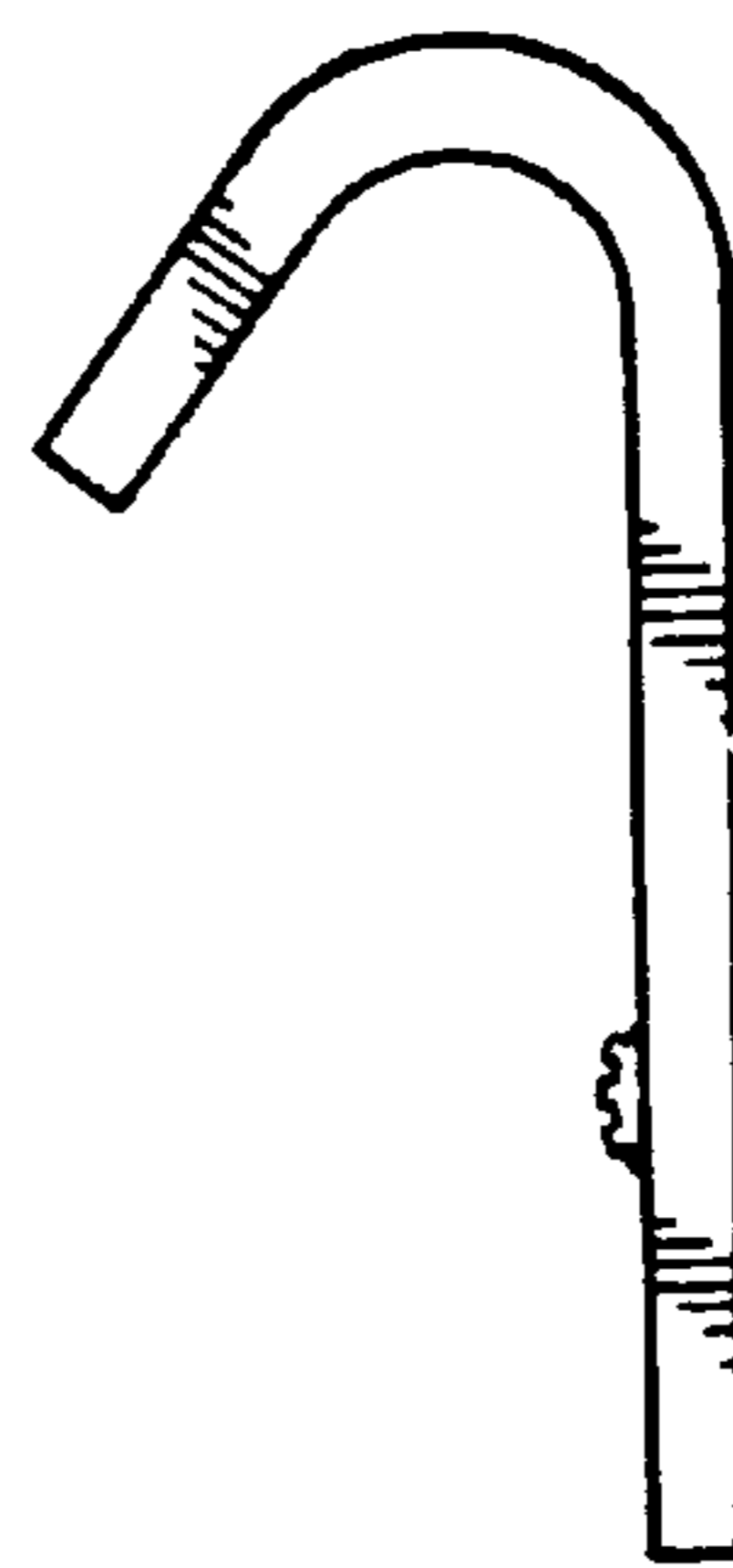


FIG. 7

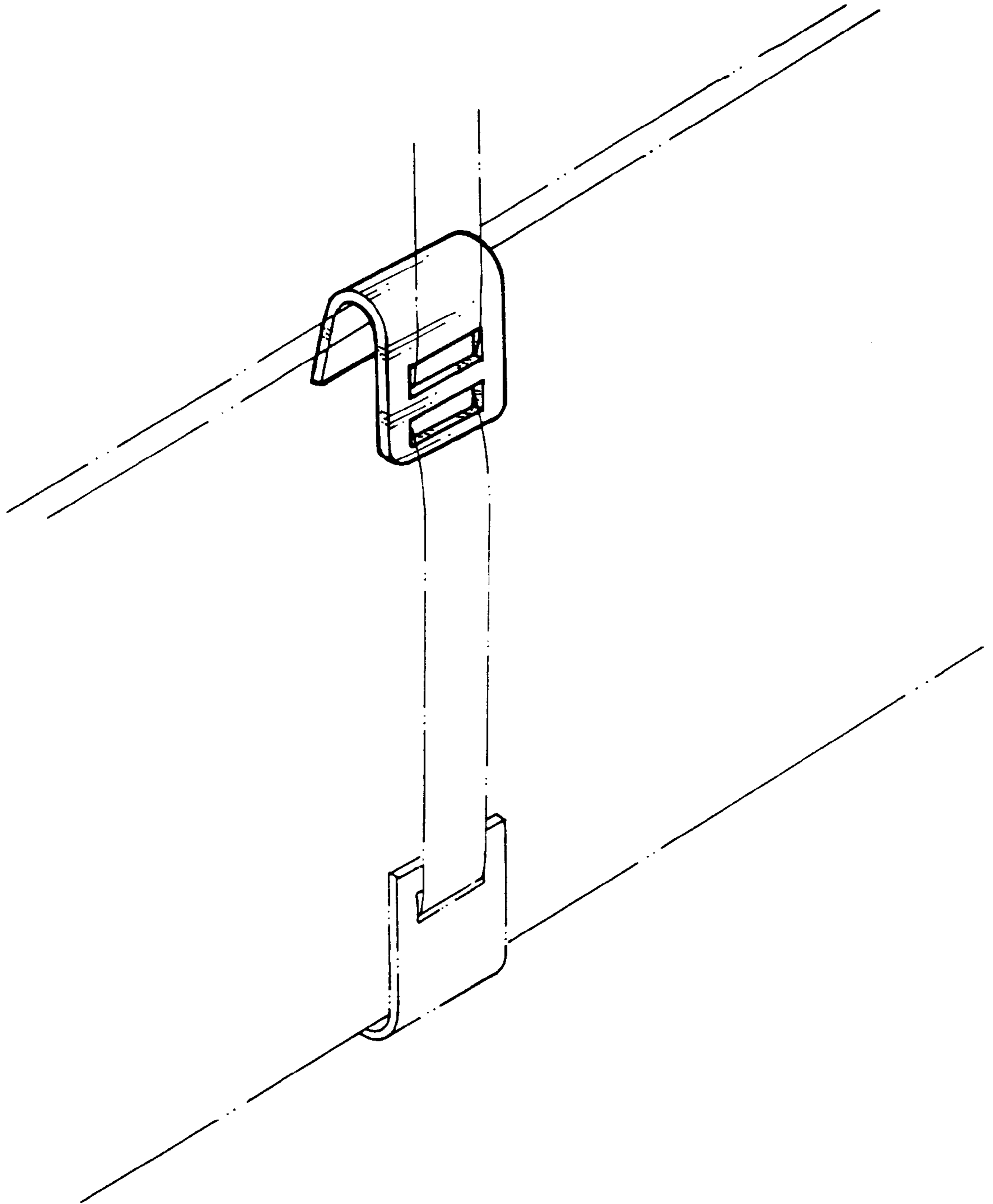


FIG. 8