



US00D415056S

United States Patent [19]
Ellis

[11] **Patent Number: Des. 415,056**

[45] **Date of Patent: ** Oct. 12, 1999**

[54] **CEILING-MOUNTED MONITOR SHROUD**

D. 379,070 5/1997 Witzig D10/106
D. 405,550 2/1999 Sacco et al. D26/28

[75] Inventor: **Paul R. Ellis**, Eugene, Oreg.

[73] Assignee: **Rosen Products LLC**, Eugene, Oreg.

[**] Term: **14 Years**

Primary Examiner—Marcus A. Jackson
Attorney, Agent, or Firm—Kolisch, Hartwell, Dickinson,
McCormack & Heuser

[21] Appl. No.: **29/091,911**

[22] Filed: **Aug. 7, 1998**

[57] **CLAIM**

The ornamental design for a ceiling-mounted monitor shroud, as shown and described.

[51] **LOC (6) Cl.** **10-05**

[52] **U.S. Cl.** **D10/121**

[58] **Field of Search** D26/28–35; 362/147,
362/404–408, 432, 365–66; 340/540, 541,
545, 561, 571, 572.1, 573.1

DESCRIPTION

FIG. 1 is an isometric view of the ceiling-mounted monitor shroud constructed in accordance with the present invention; FIG. 2 is a right-side view of the shroud depicted in FIG. 1, the left-side view being a mirror image thereof; FIG. 3 is a rear view of the shroud depicted in FIG. 1; FIG. 4 is a bottom view of the shroud depicted in FIG. 1; FIG. 5 is a top view of the shroud depicted in FIG. 1; and, FIG. 6 is a front view of the shroud depicted in FIG. 1.

[56] **References Cited**

U.S. PATENT DOCUMENTS

D. 271,089 10/1983 Mallory D10/121
D. 313,569 1/1991 Allard et al. D10/121

1 Claim, 2 Drawing Sheets

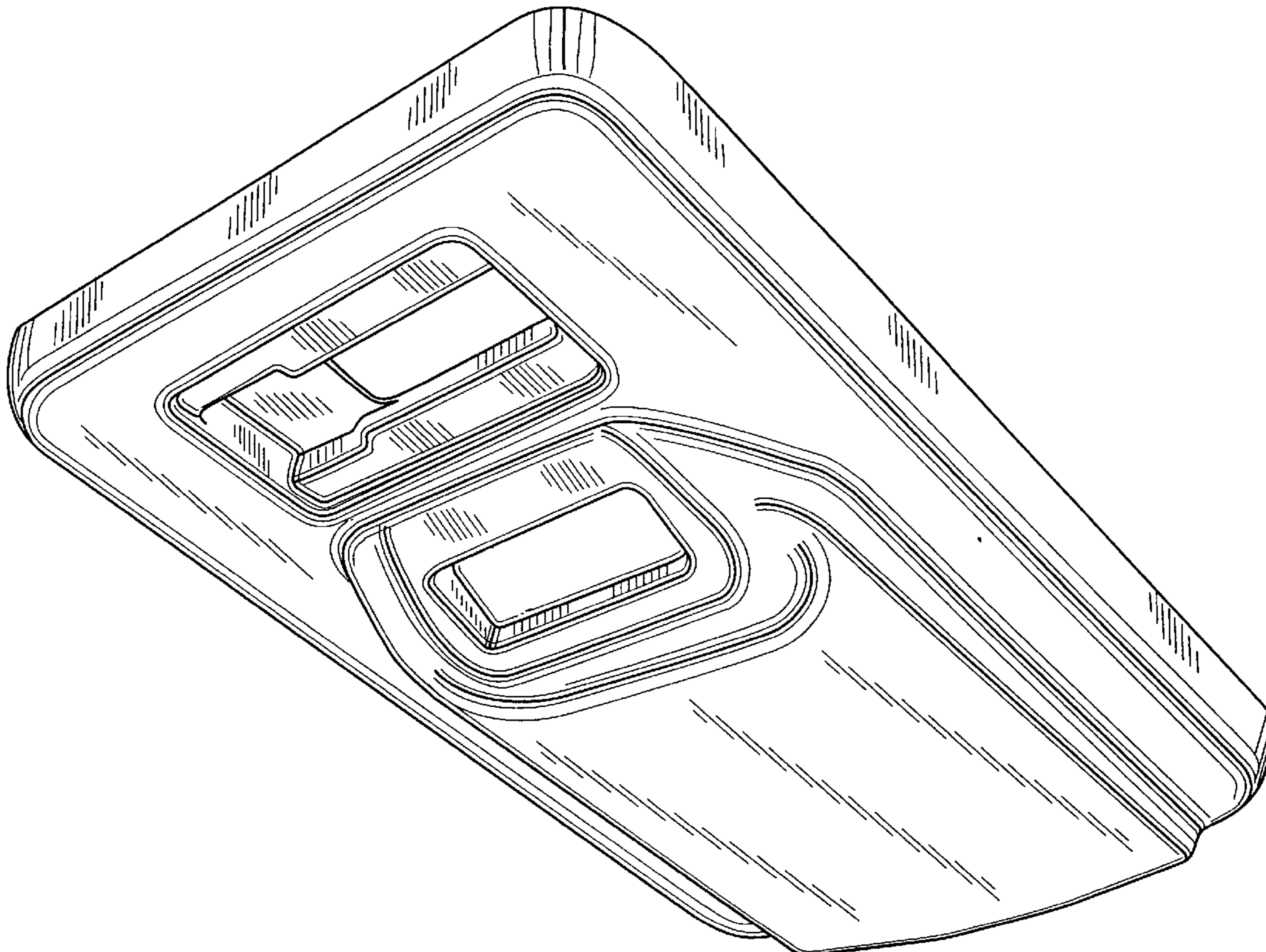


FIG. 1

