



US00D415054S

United States Patent [19]

Foster et al.

[11] Patent Number: **Des. 415,054**

[45] Date of Patent: **** Oct. 12, 1999**

[54] **BOX CALL**

[75] Inventors: **Anthony A. Foster**, Brookhaven;
Wilbur R. Primos, Jackson; **James A. Primos, Jr.**, Madison, all of Miss.

[73] Assignee: **Primos, Inc.**, Jackson, Miss.

[**] Term: **14 Years**

[21] Appl. No.: **29/096,908**

[22] Filed: **Nov. 23, 1998**

[51] **LOC (6) Cl.** **10-05**

[52] **U.S. Cl.** **D10/119**

[58] **Field of Search** D10/104, 116,
D10/119, 121; 446/202, 203, 204, 205,
206, 207, 208, 209, 210

[56] **References Cited**

U.S. PATENT DOCUMENTS

D. 231,927	6/1974	Shoemaker	D10/119
D. 279,461	7/1985	Zafreniere et al.	D10/119
D. 347,399	5/1994	White, Jr.	D10/116
D. 360,160	7/1995	Morningstar	D10/119
D. 393,810	4/1998	Richardson	D10/119
2,511,403	6/1950	Fleener	46/189
2,833,086	5/1958	Johenning	46/180
3,583,094	6/1971	Tribell	46/178

4,041,639	8/1977	Funk	46/189
4,343,108	8/1982	Lee	46/189
4,606,733	8/1986	Willis	446/397
4,662,858	5/1987	Hall	446/397
4,932,920	6/1990	Hean	446/397
5,484,319	1/1996	Bathey	446/397

Primary Examiner—Marcus A. Jackson
Attorney, Agent, or Firm—Foster & Foster

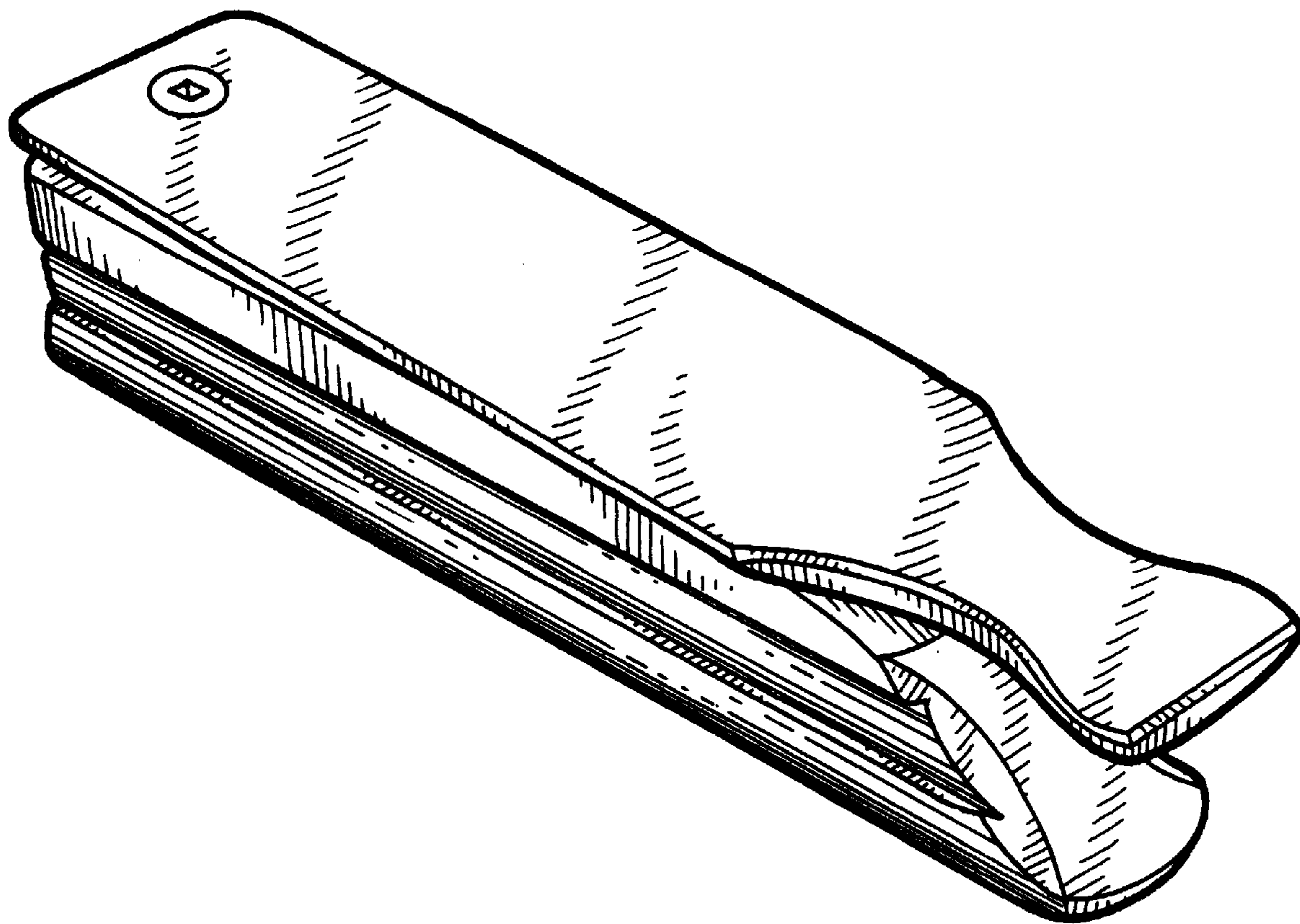
[57] **CLAIM**

The ornamental design for a box call, as shown and described.

DESCRIPTION

FIG. 1 is a top perspective view of a box call design according to the present invention;
FIG. 2 is an exploded isometric top view of the box call design of FIG. 1;
FIG. 3 is a front elevation view (which is identical to the rear elevation view (not shown)) of the box call design of FIG. 1;
FIG. 4 is a bottom view of the box call design of FIG. 1;
FIG. 5 is a right side elevation view of the box call design of FIG. 1; and,
FIG. 6 is a left side elevation view of the box call of FIG. 1.

1 Claim, 2 Drawing Sheets



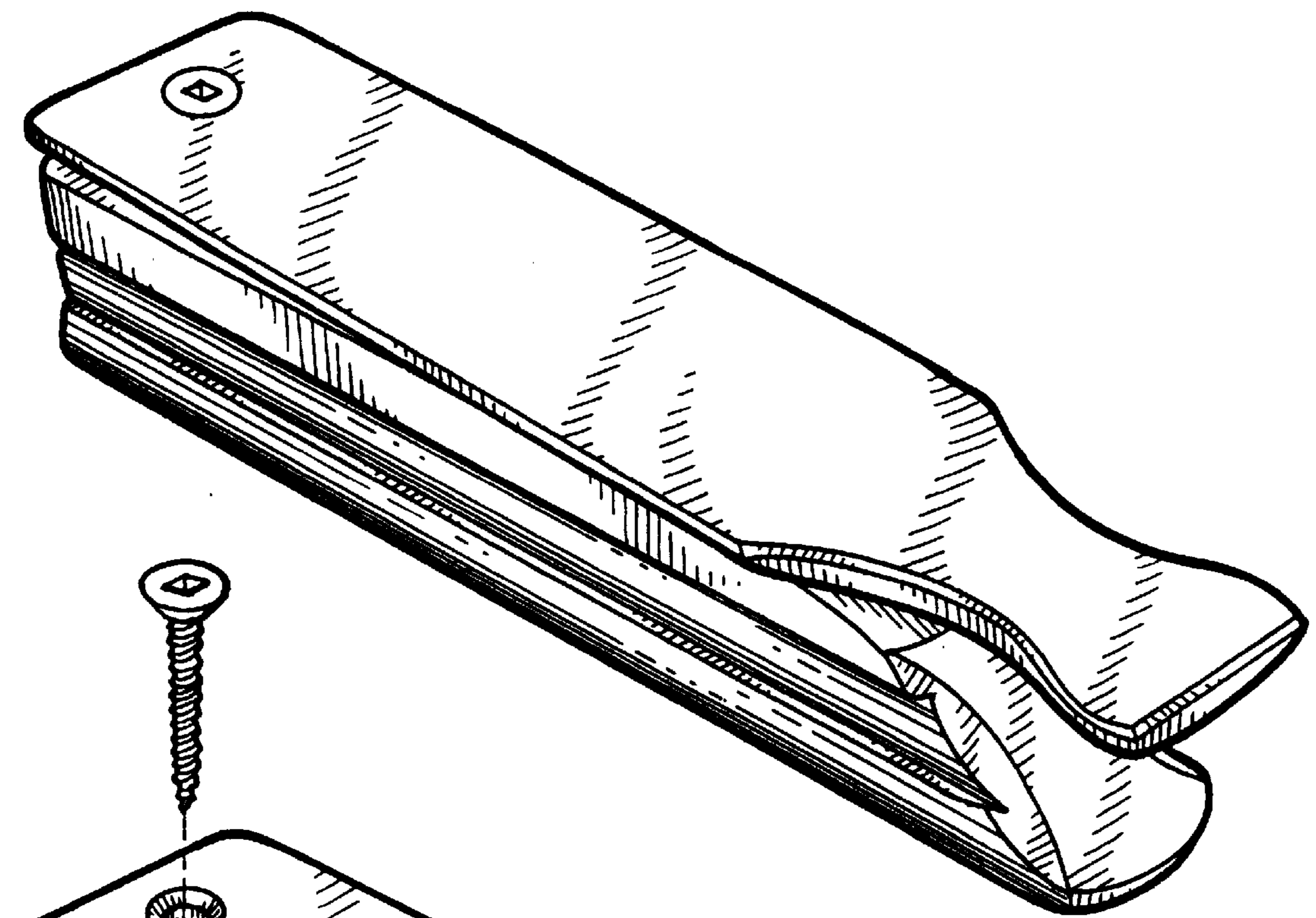


Fig.1

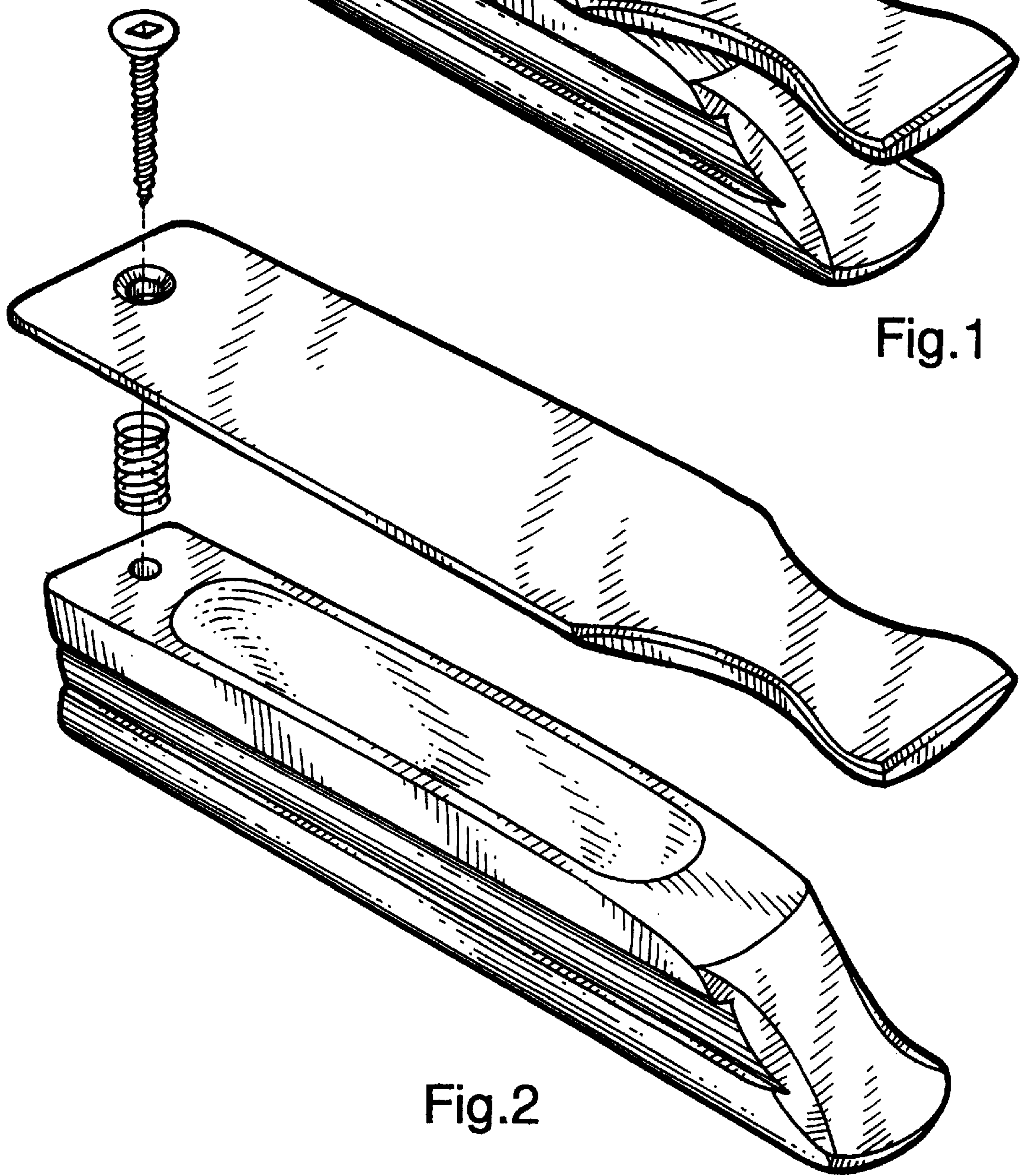


Fig.2

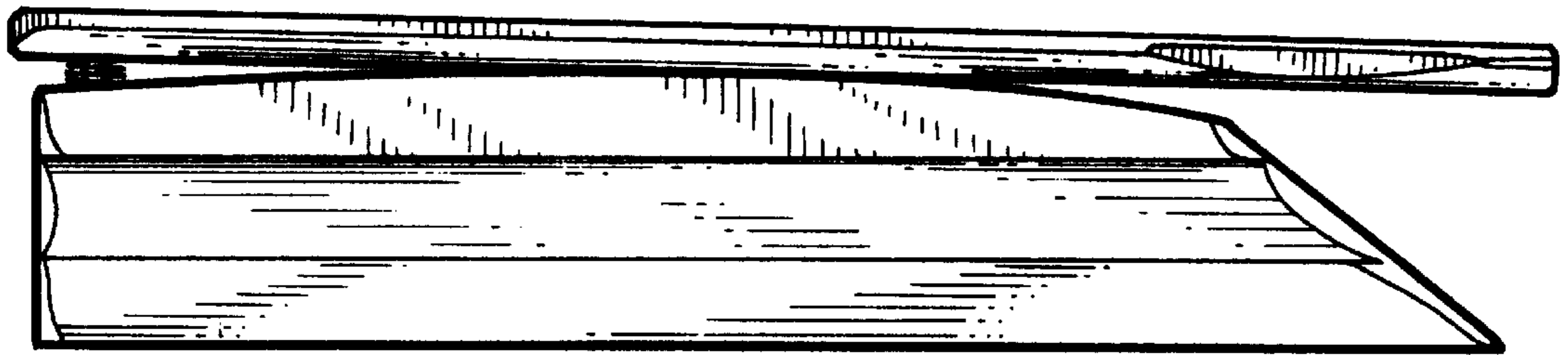


Fig.3

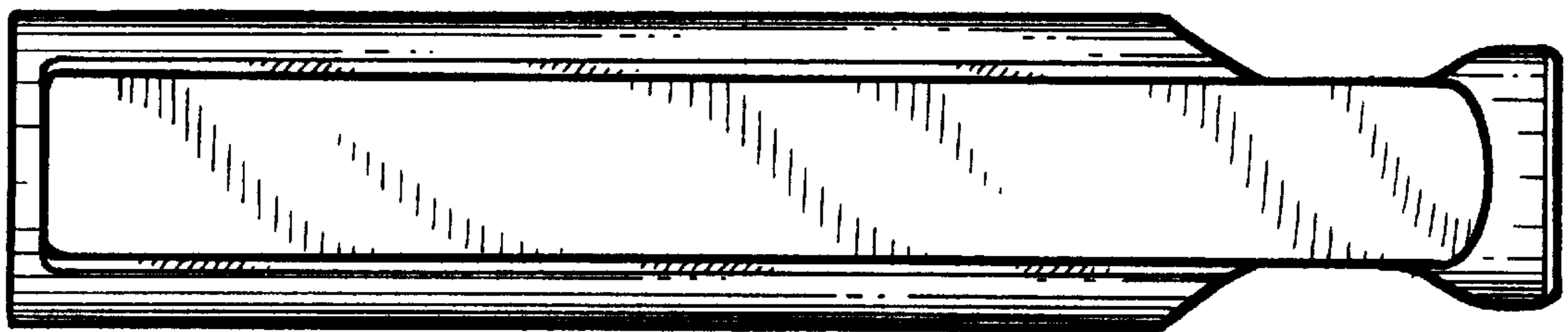


Fig.4



Fig.5

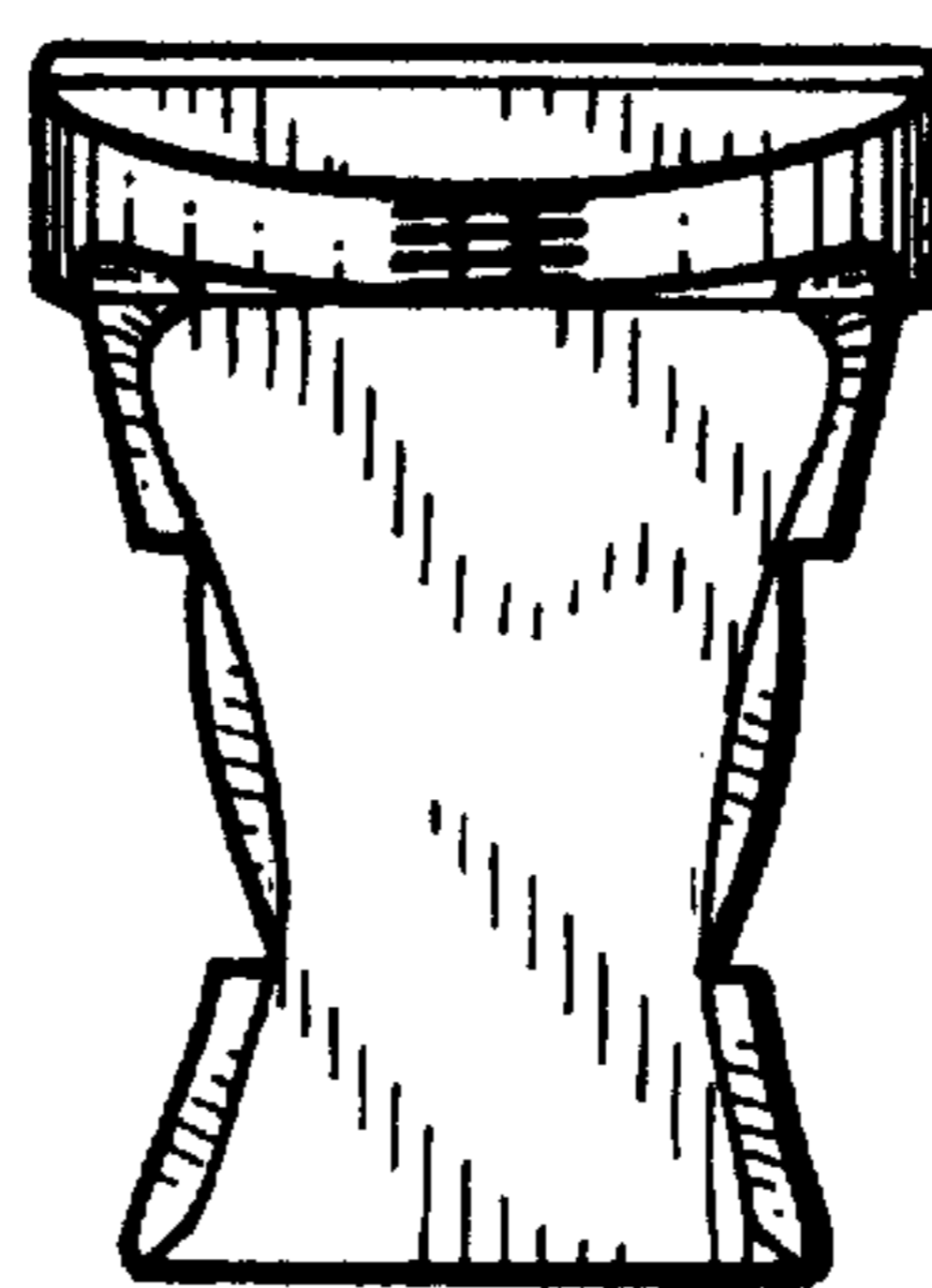


Fig.6