



US00D415046S

# United States Patent [19] Carey

[11] **Patent Number: Des. 415,046**

[45] **Date of Patent: \*\* Oct. 12, 1999**

[54] **HINGE ROUTER TEMPLATE**

[76] Inventor: **John Carey**, 1996 Milford Pl., El Cajon, Calif. 92123

[\*\*] Term: **14 Years**

[21] Appl. No.: **29/102,654**

[22] Filed: **Mar. 29, 1999**

[51] **LOC (6) Cl. .... 10-04**

[52] **U.S. Cl. .... D10/64**

[58] **Field of Search .... D10/64; 33/194, 33/197, 562, 667; 144/144.51**

[56] **References Cited**

**U.S. PATENT DOCUMENTS**

- D. 346,337 4/1994 Carey ..... D10/64
- D. 395,246 6/1998 Carey ..... D10/64

*Primary Examiner*—Antoine Duval Davis

*Attorney, Agent, or Firm*—Charles C. Logan, II

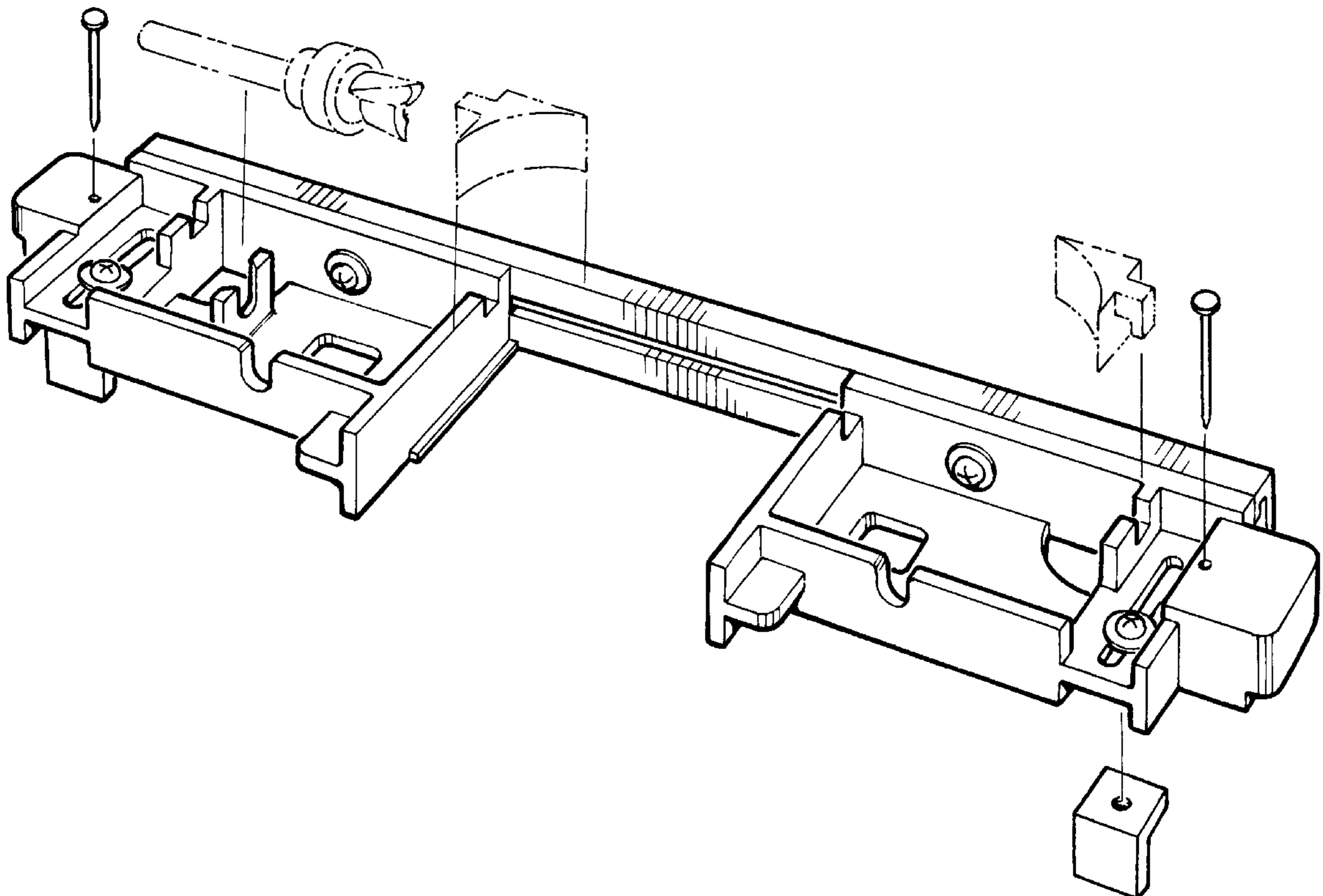
[57] **CLAIM**

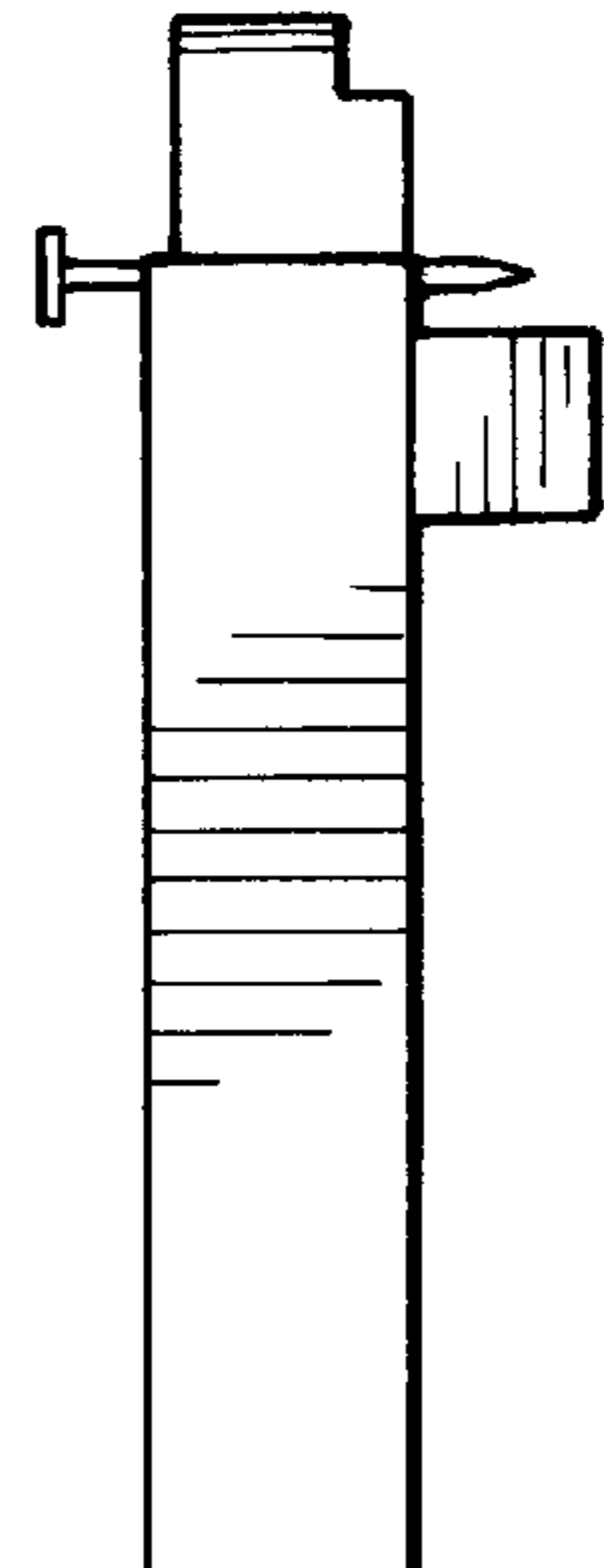
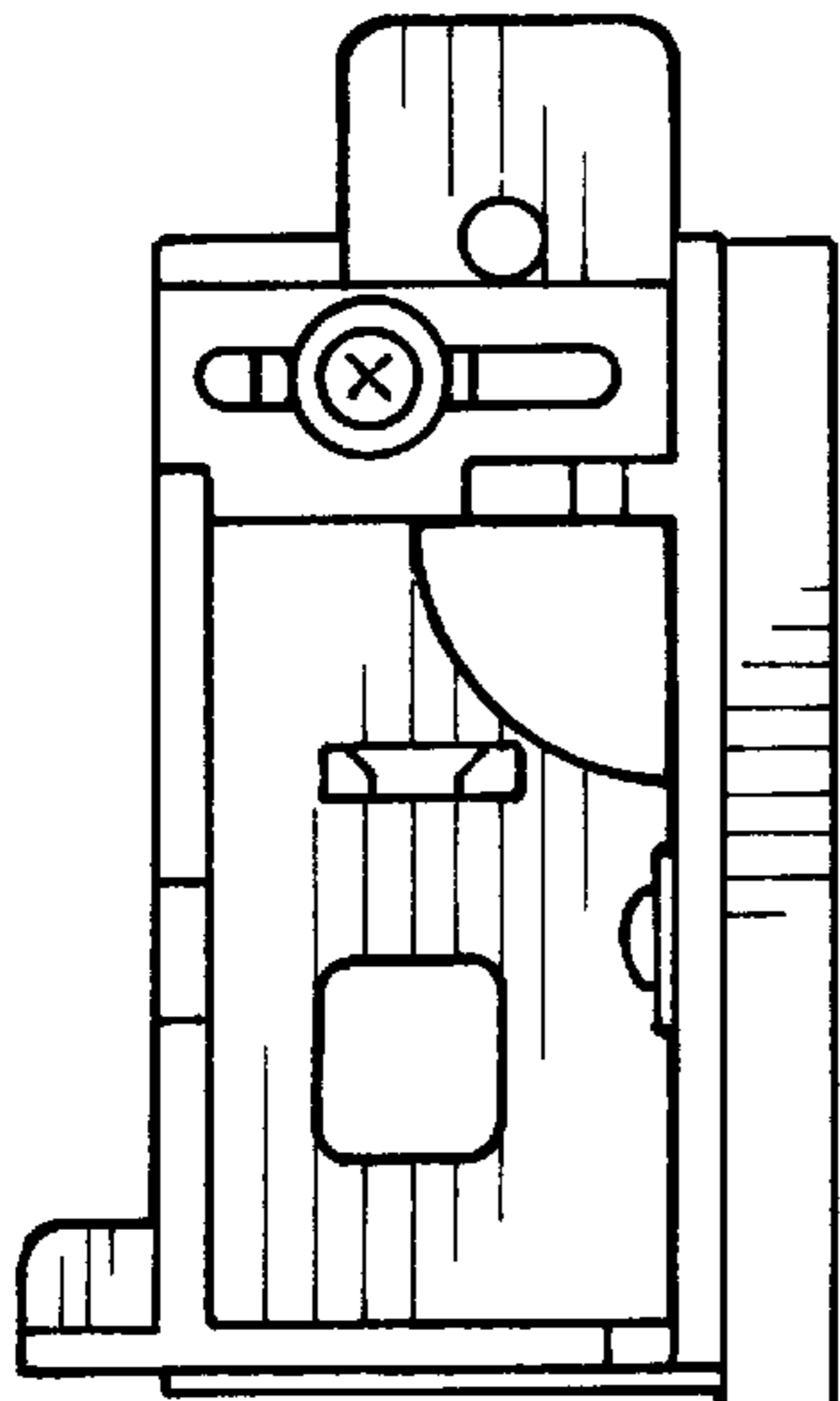
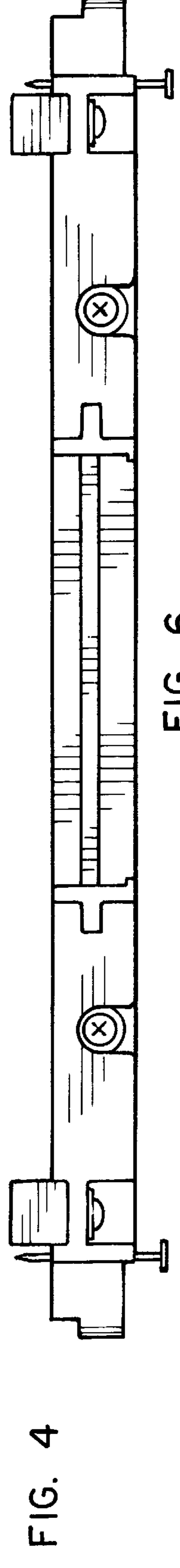
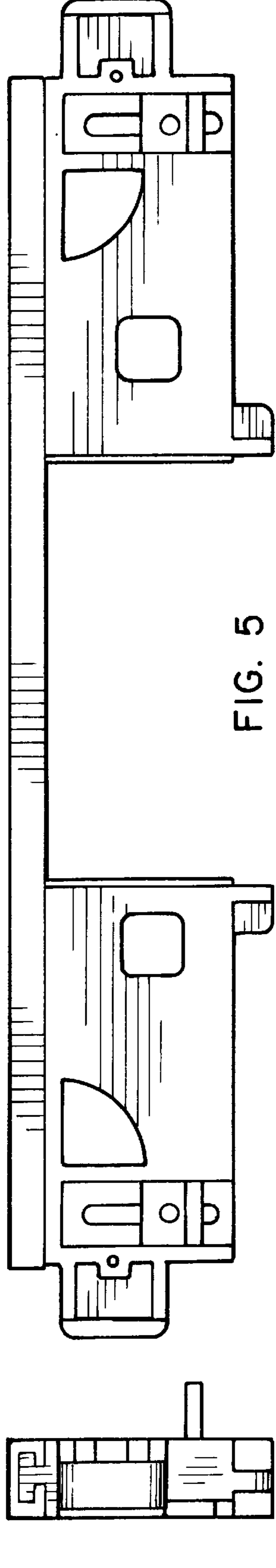
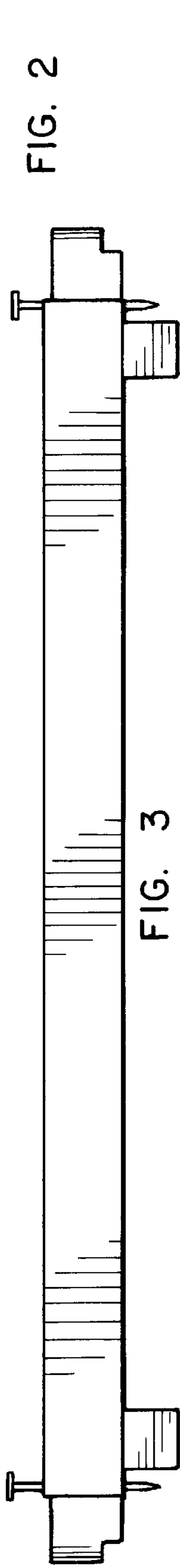
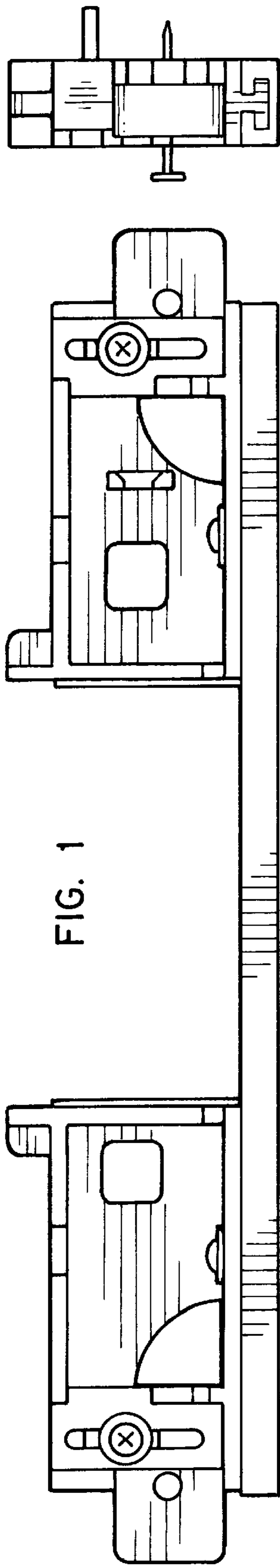
The ornamental design for a hinge router template, as shown and described.

**DESCRIPTION**

FIG. 1 is a front elevation view of the novel hinge router template;  
 FIG. 2 is a right end elevation view thereof;  
 FIG. 3 is a bottom plan view thereof;  
 FIG. 4 is a left end elevation view thereof;  
 FIG. 5 is an inverted rear elevation view thereof;  
 FIG. 6 is a top plan view thereof;  
 FIG. 7 is an inverted front perspective view thereof; and,  
 FIG. 8 is a partial rear perspective view thereof of the right end of the hinge router template and the left end is identical. The broken line showing is for illustrative purposes only and forms no part of the claimed design.

**1 Claim, 2 Drawing Sheets**





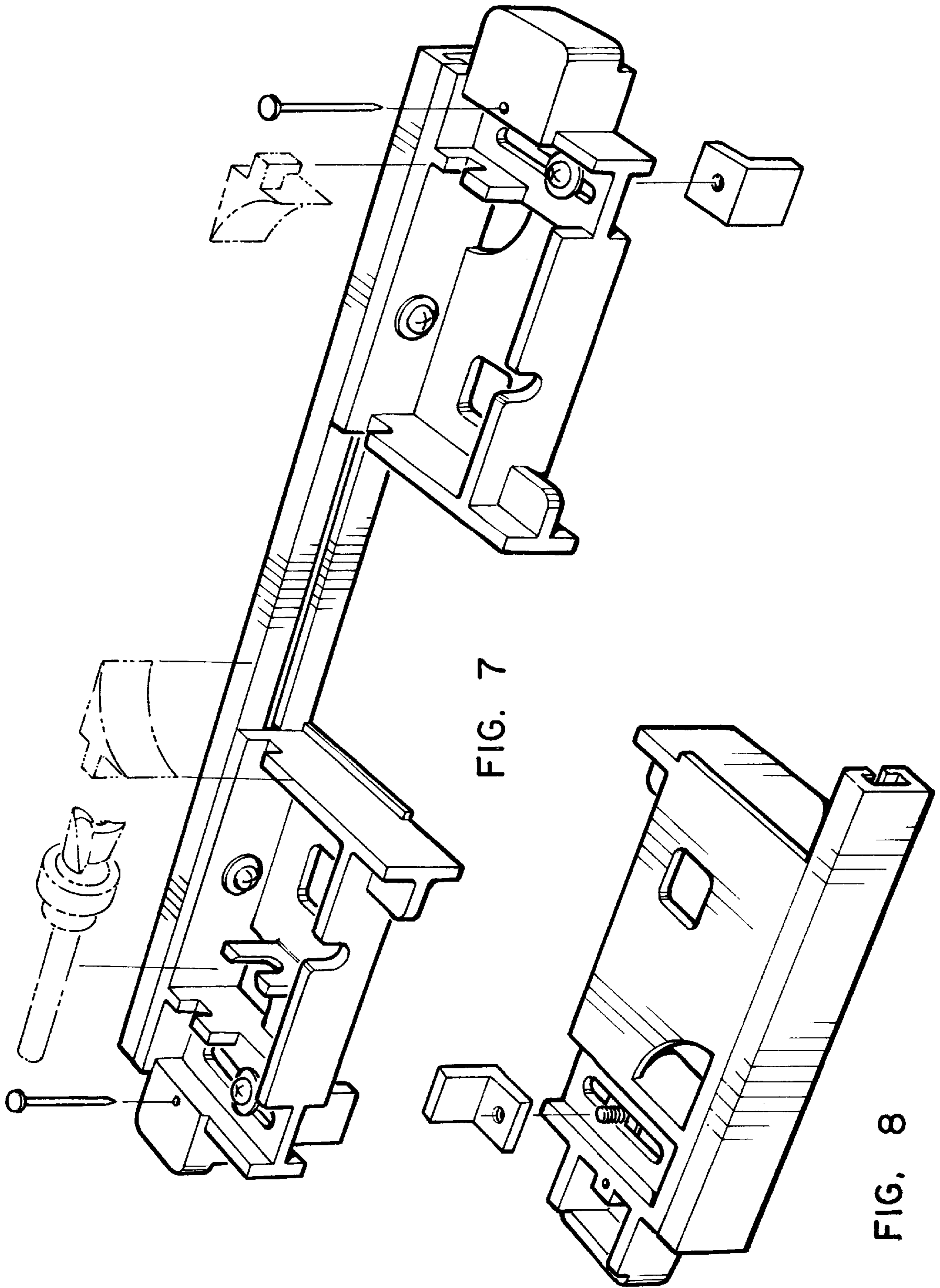


FIG. 7

FIG. 8