



US00D415041S

# United States Patent [19]

Goto et al.

[11] Patent Number: **Des. 415,041**

[45] Date of Patent: **\*\* Oct. 12, 1999**

[54] **WATCH CASE**

[75] Inventors: **Atsushi Goto**, Kunitachi; **Kenji Kojima**, Fussa, both of Japan

[73] Assignee: **Casio Keisanki Kabushiki Kaisha**

[\*\*] Term: **14 Years**

[21] Appl. No.: **29/098,074**

[22] Filed: **Dec. 21, 1998**

[51] **LOC (6) Cl.** ..... **10-02**

[52] **U.S. Cl.** ..... **D10/30; D10/38**

[58] **Field of Search** ..... D10/1-40, 122-132;  
368/280-282, 276-277, 28-30, 285, 239-242,  
82-84, 41-44

[56] **References Cited**

**U.S. PATENT DOCUMENTS**

- D. 378,198 2/1997 Tomita et al. .... D10/38
- D. 387,677 12/1997 Hanagata ..... D10/30

- D. 394,404 5/1998 Ishizaka et al. .... D10/38
- D. 394,610 5/1998 Ishizaka et al. .... D10/38
- D. 396,648 8/1998 Moriai ..... D10/30
- D. 403,252 12/1998 Hanagata ..... D10/38

*Primary Examiner*—Nelson C. Holtje  
*Attorney, Agent, or Firm*—Frishauf, Holtz, Goodman, Langer & Chick, P.C.

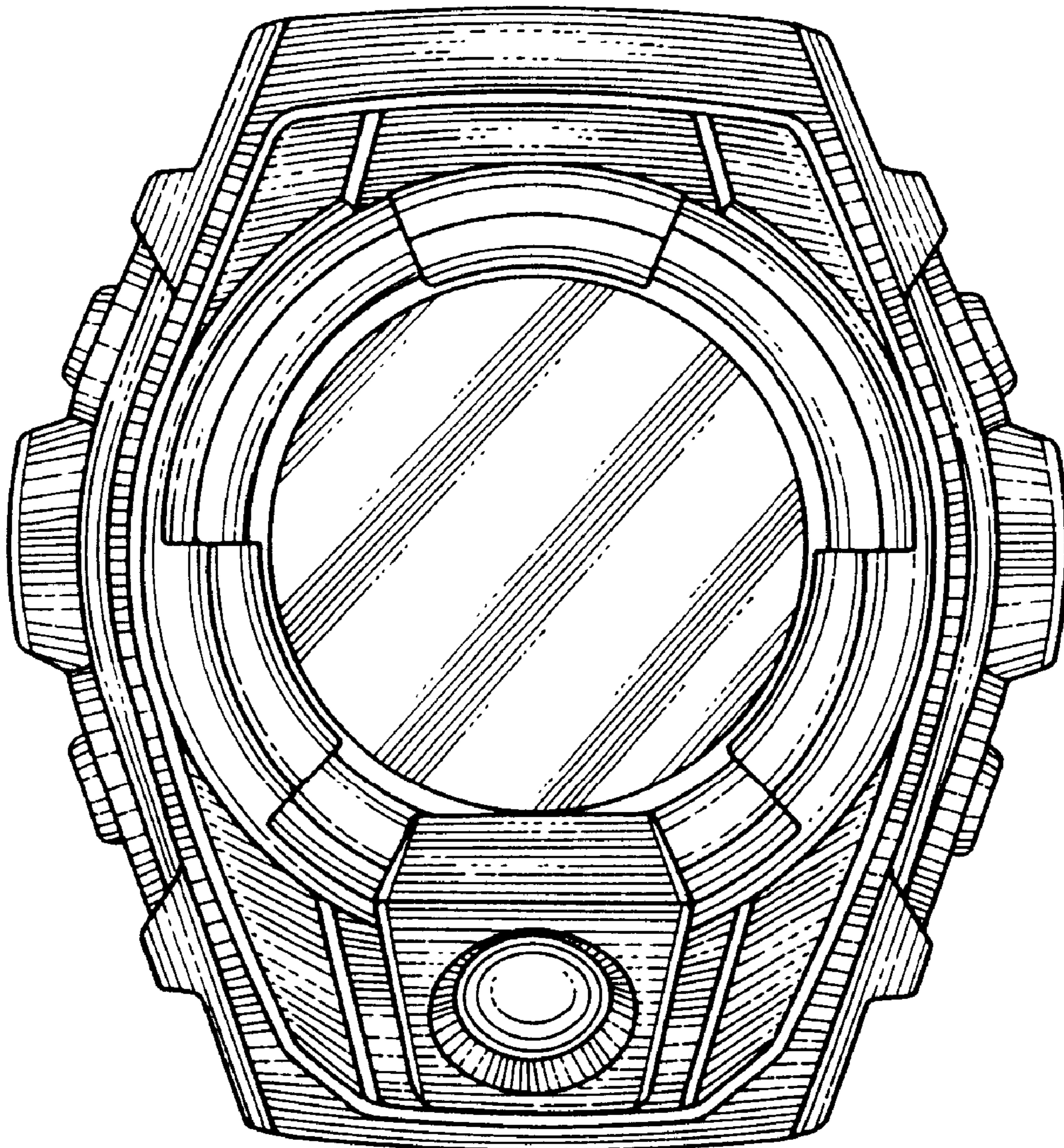
[57] **CLAIM**

The ornamental design for watch case, as shown.

**DESCRIPTION**

FIG. 1 is a front elevational view of watch case showing our new design;  
FIG. 2 is a right side elevational view thereof;  
FIG. 3 is a left side elevational view thereof;  
FIG. 4 is a top plan view thereof;  
FIG. 5 is a bottom plan view thereof;  
FIG. 6 is a rear elevational view thereof; and,  
FIG. 7 is a perspective view thereof.

**1 Claim, 2 Drawing Sheets**





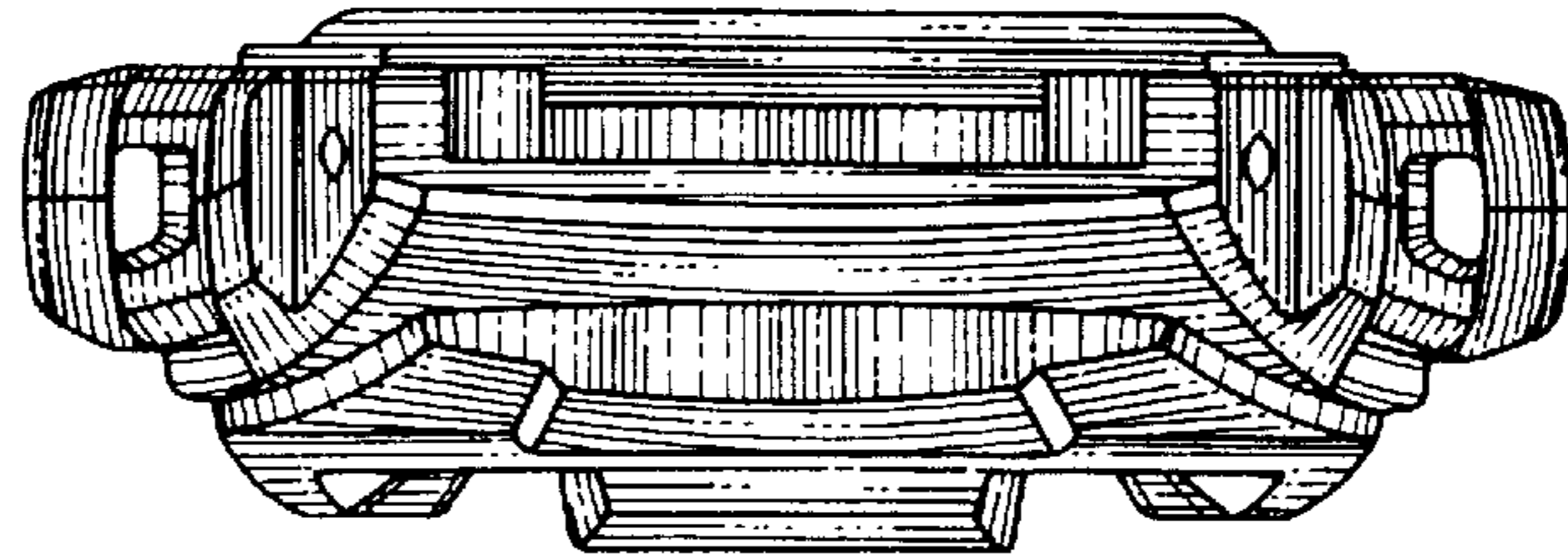


FIG. 4

FIG. 3

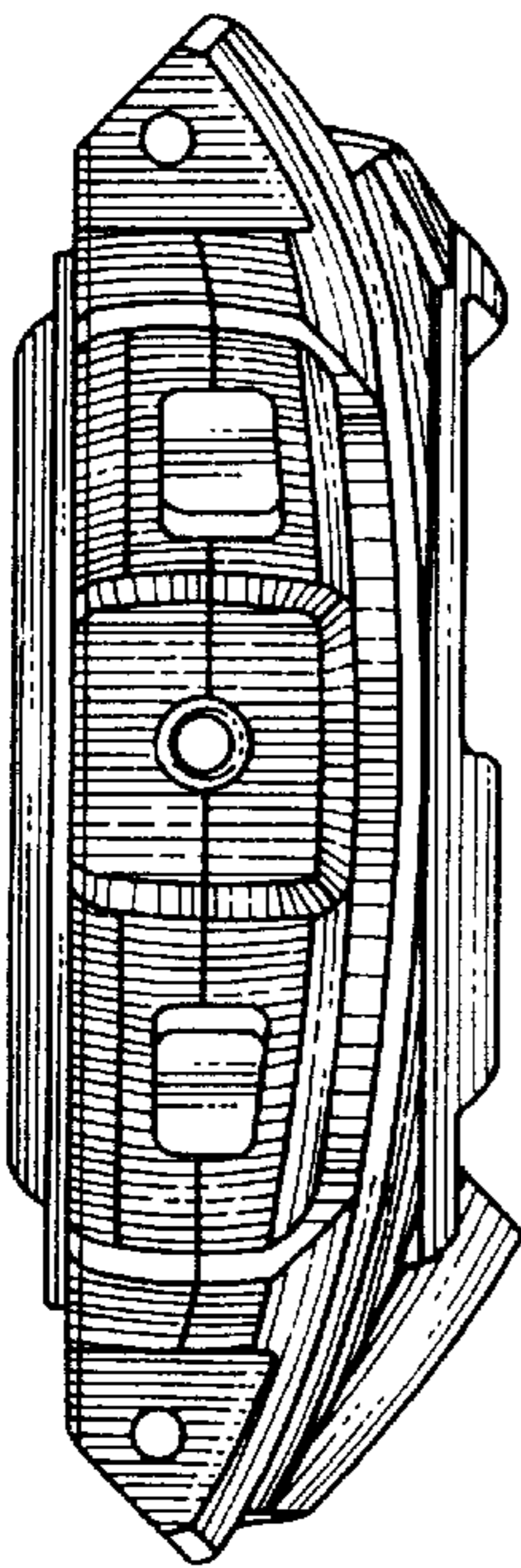


FIG. 1

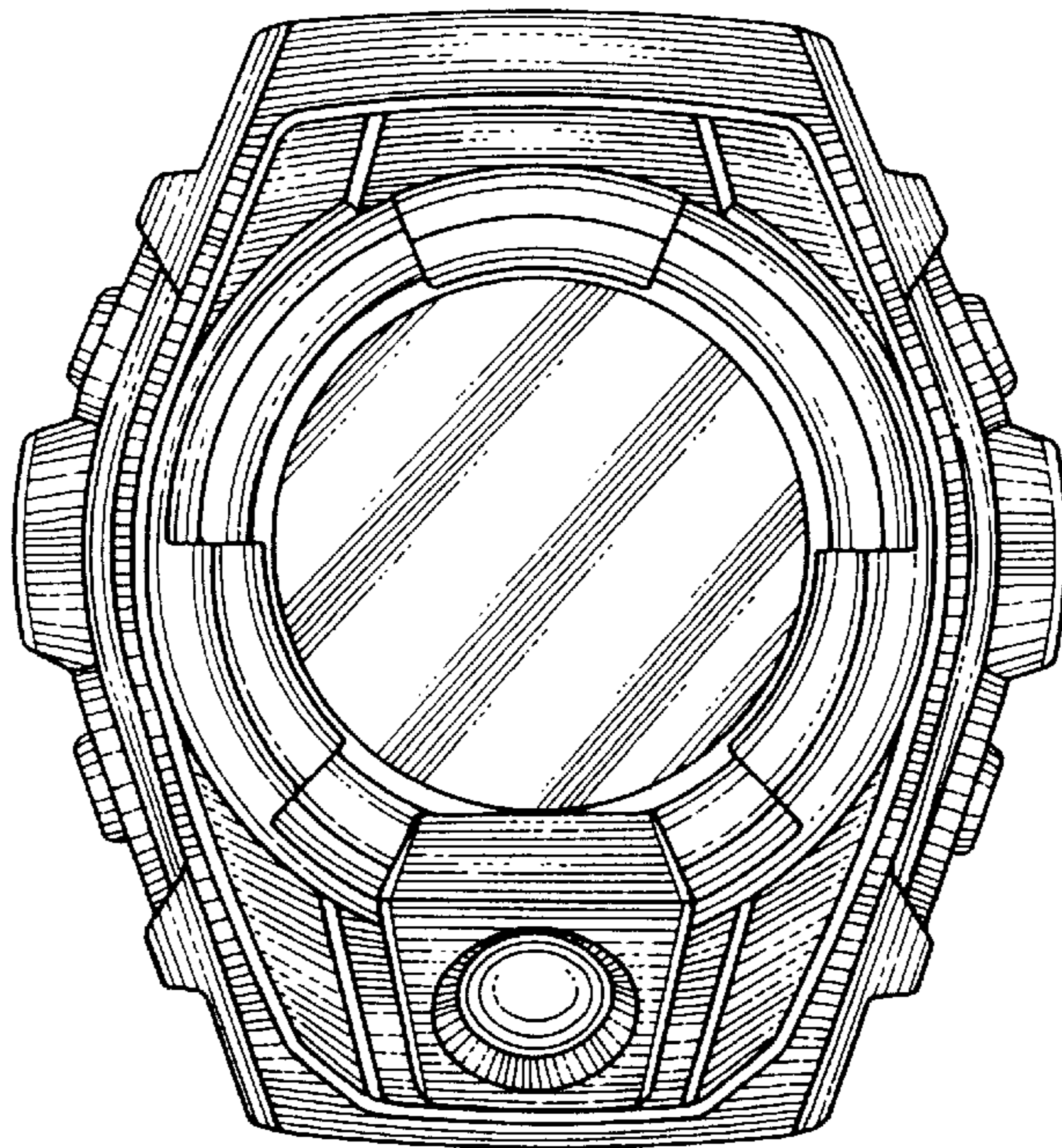


FIG. 2

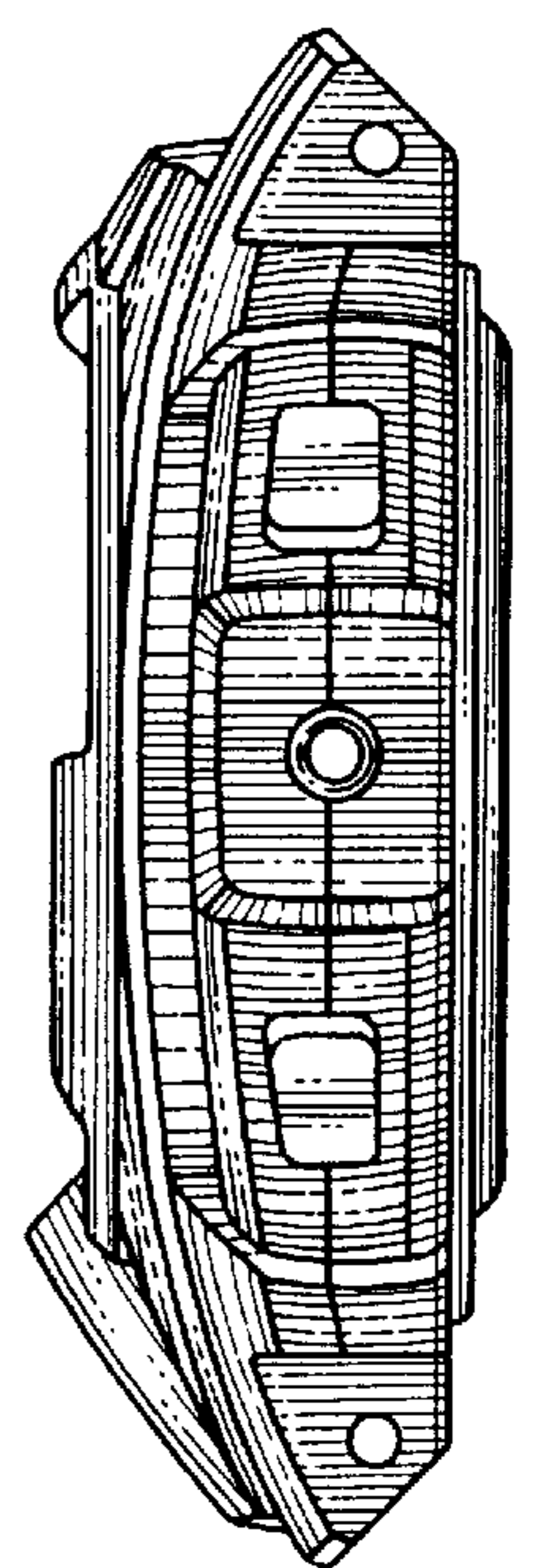
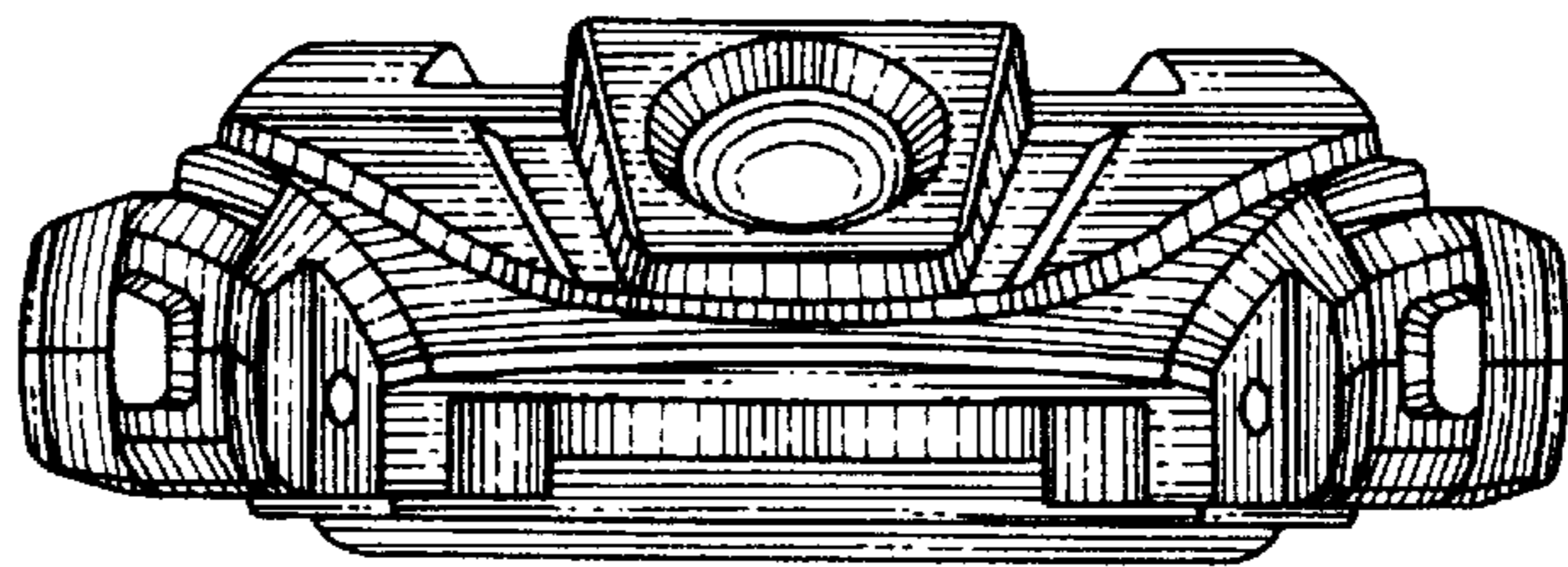


FIG. 5



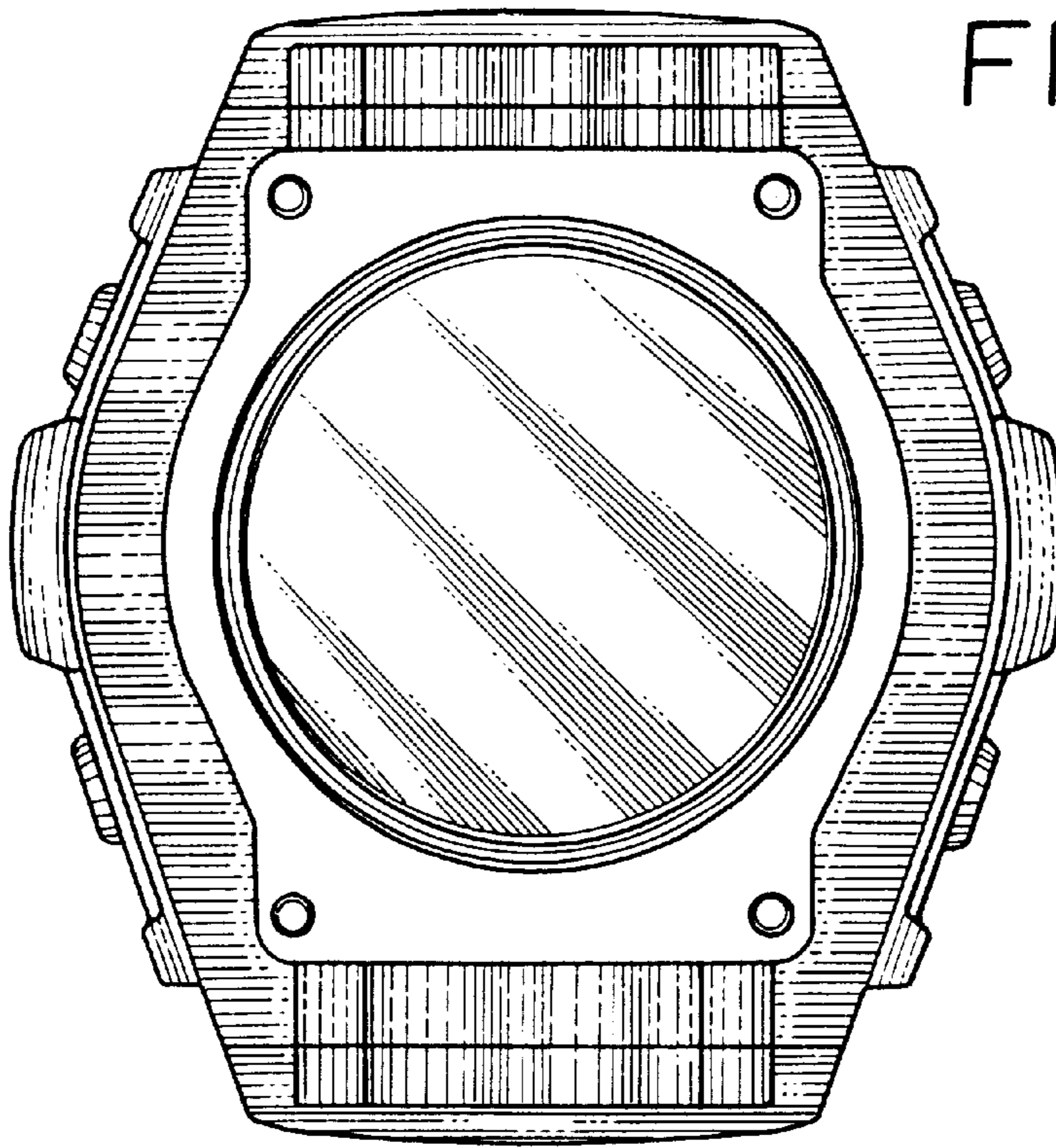


FIG. 6

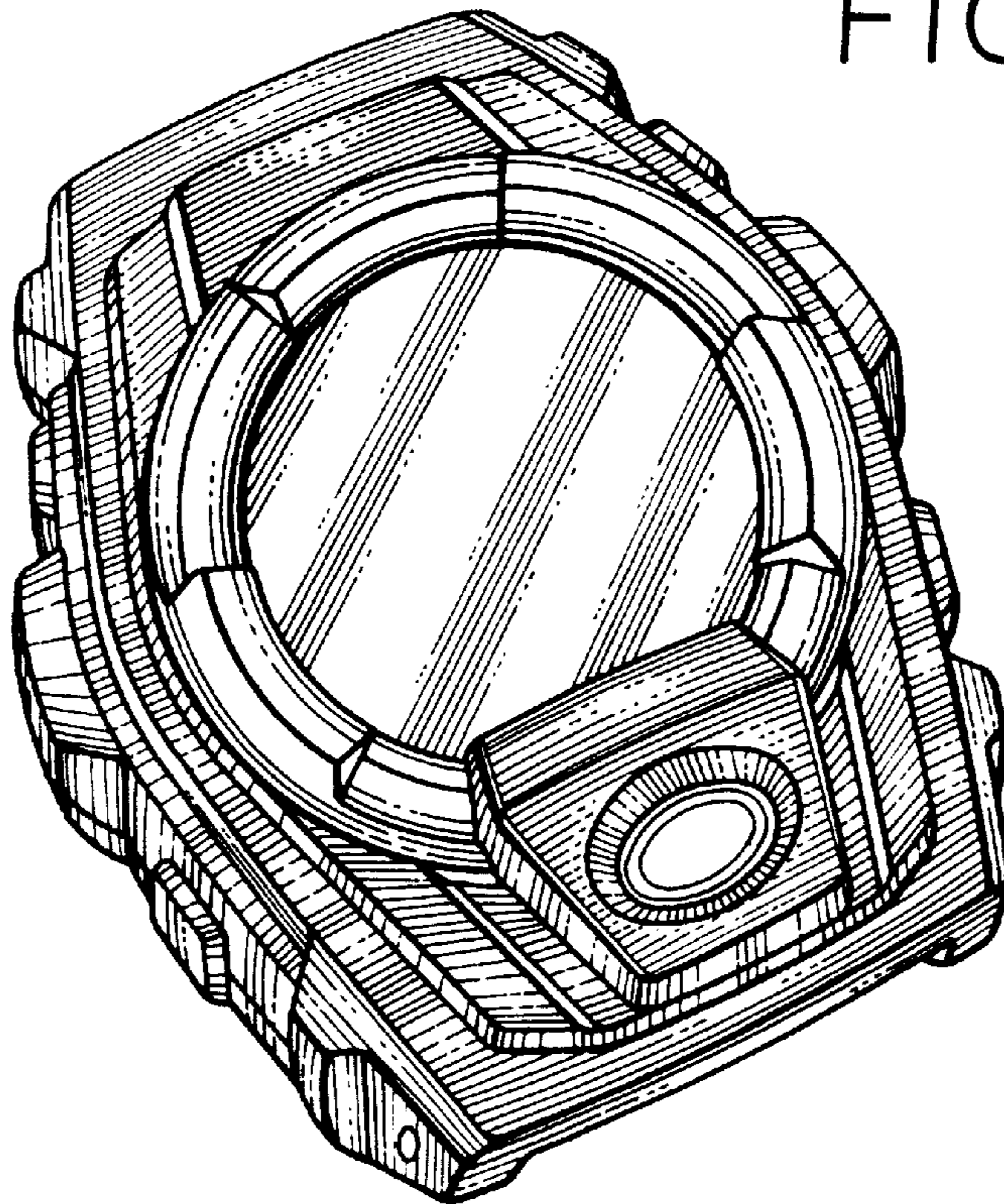


FIG. 7