



US00D415036S

United States Patent [19]
Mansau

[11] **Patent Number: Des. 415,036**

[45] **Date of Patent: ** Oct. 12, 1999**

[54] **COMBINED PERFUME BOTTLE AND CLOSURE**

[75] Inventor: **Serge Mansau**, Thiveral, France

[73] Assignee: **Agatha Diffusion**, France

[**] Term: **14 Years**

[21] Appl. No.: **29/096,587**

[22] Filed: **Nov. 16, 1998**

[30] **Foreign Application Priority Data**

May 15, 1998 [FR] France 98 2993

[51] **LOC (6) Cl.** **09-01**

[52] **U.S. Cl.** **D9/546; D9/548; D9/560**

[58] **Field of Search** D9/546, 560, 548,
D9/307, 300; D28/91.1; 215/382, 383

[56] **References Cited**

U.S. PATENT DOCUMENTS

D. 76,043 8/1928 Pfeiffer D9/546

D. 76,405 9/1928 Lavault D9/546
D. 81,633 7/1930 De Wagner D9/560
D. 151,862 11/1948 Von Miklos D9/560
D. 214,663 7/1969 Brickey D9/560
D. 306,400 3/1990 Beier-Rosetti D9/546

OTHER PUBLICATIONS

Beauty Fashion, Jul.-1960, p. 47, Atomizers.

Primary Examiner—Lucy Lieberman

Attorney, Agent, or Firm—Fross Zelnick Lehrman & Zissu, P.C.; Lawrence E. Apolzon, Esq.

[57] **CLAIM**

The ornamental design for a combined perfume bottle and closure, as shown and described.

DESCRIPTION

FIG. 1 is a perspective view;

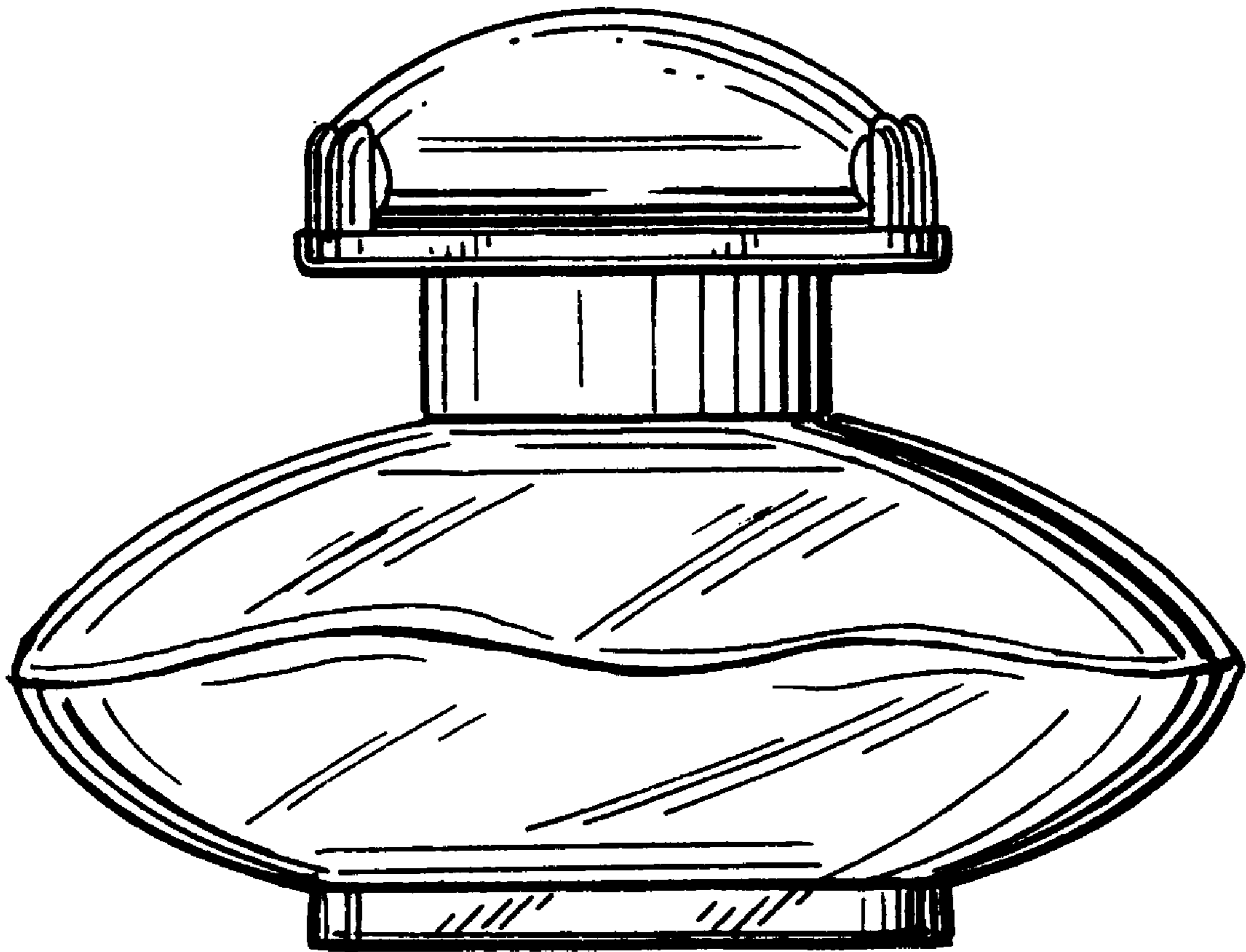
FIG. 2 is a top view;

FIG. 3 is a front view;

FIG. 4 is a side view; and,

FIG. 5 is a bottom view.

1 Claim, 2 Drawing Sheets



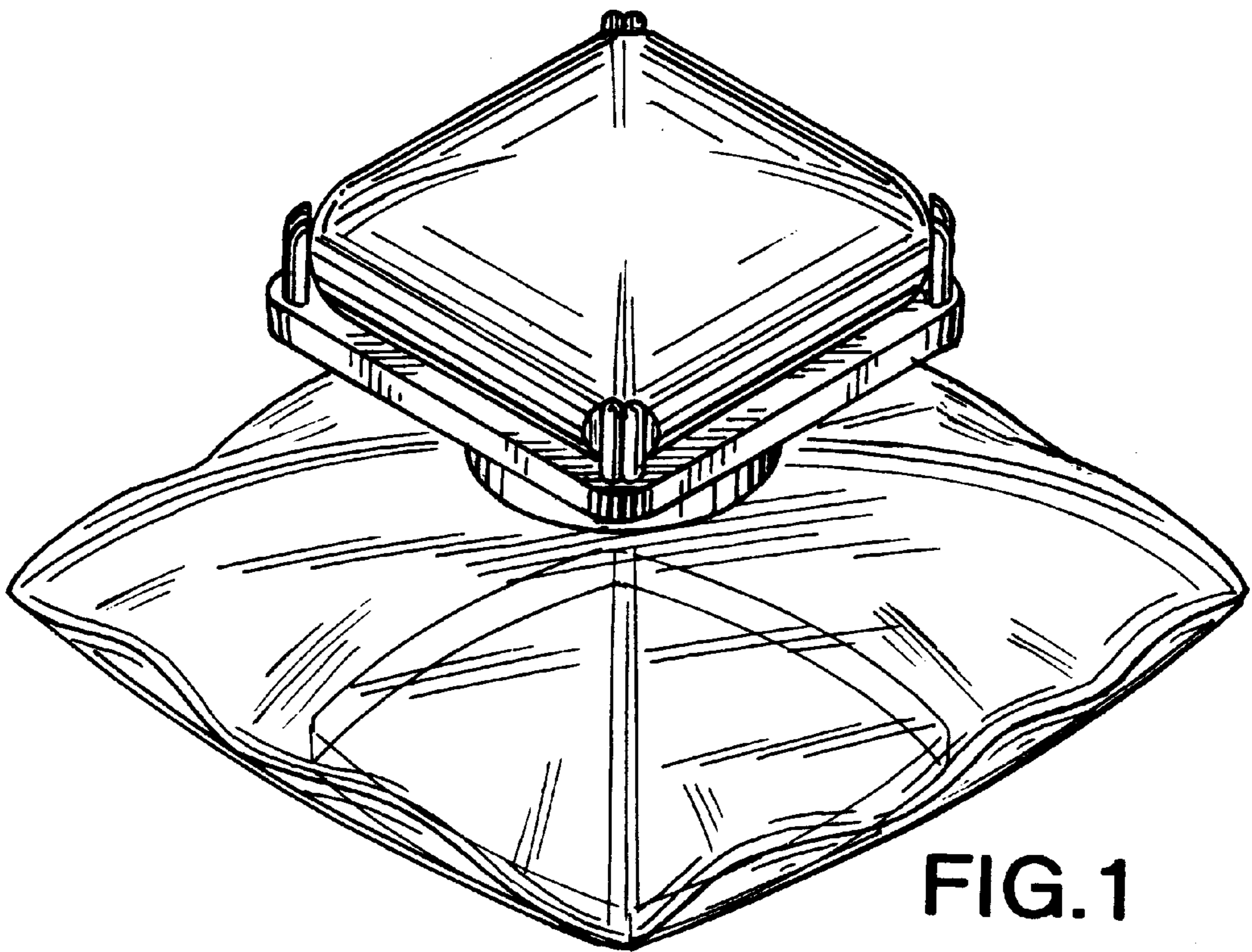


FIG. 1

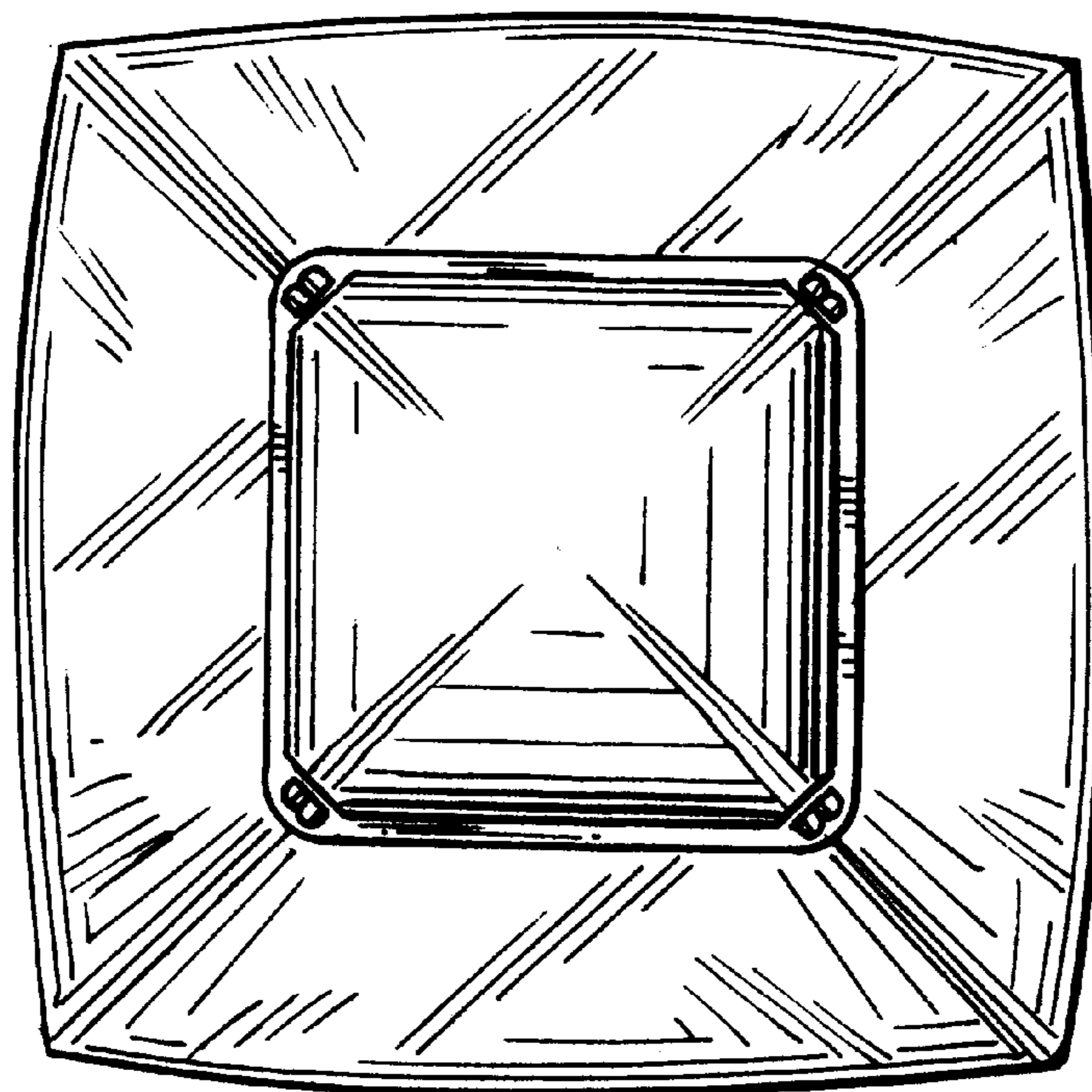


FIG. 2

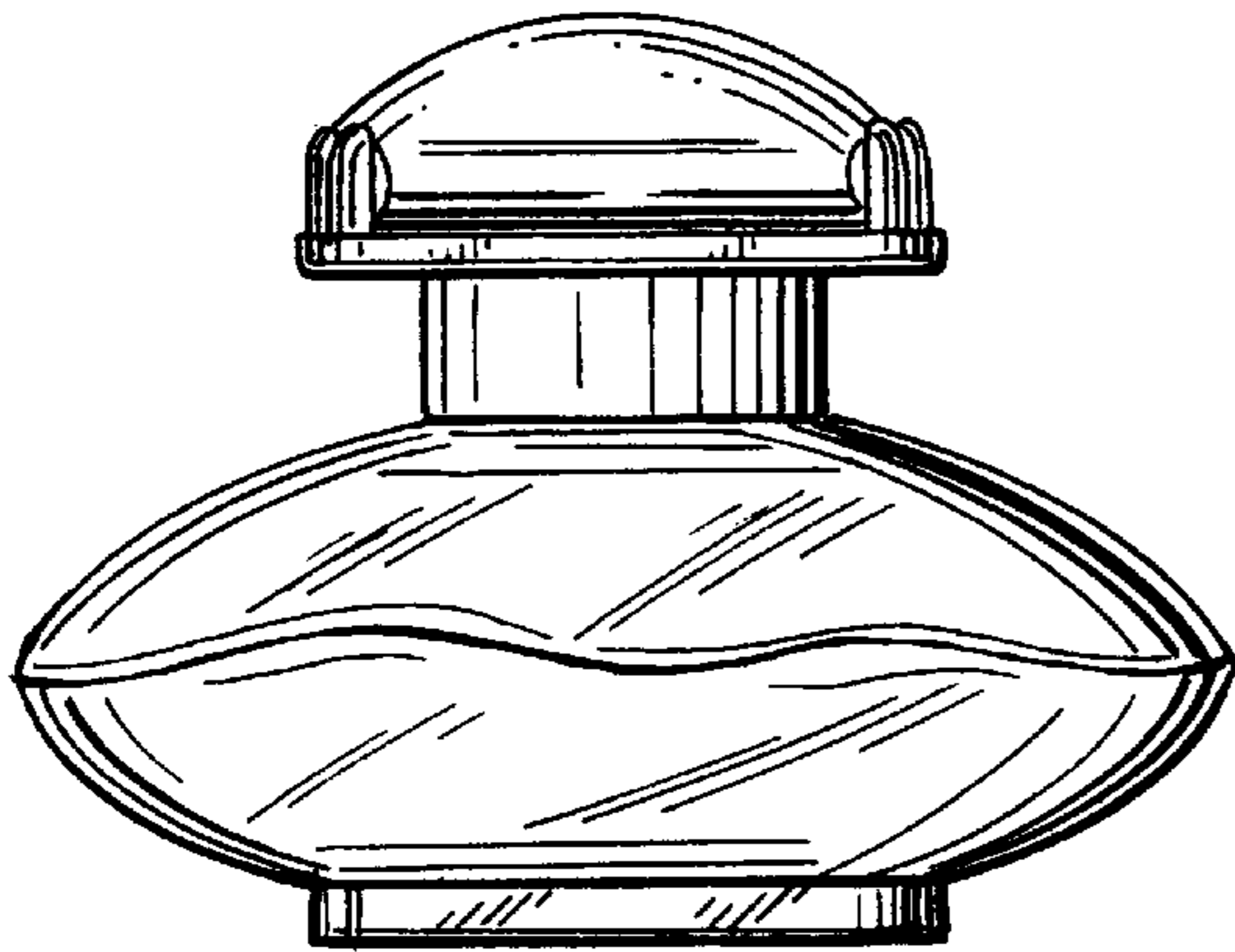


FIG.3

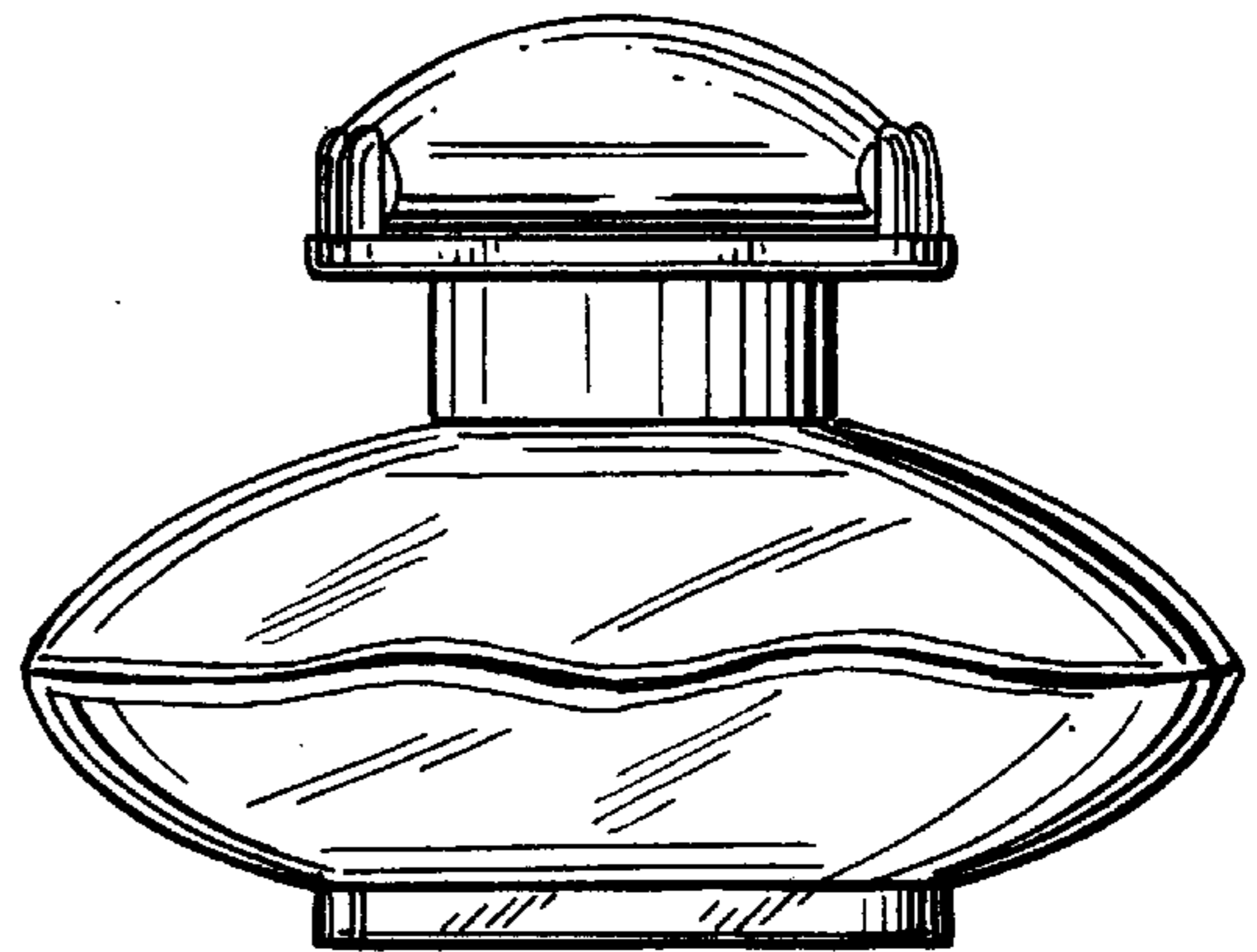


FIG.4

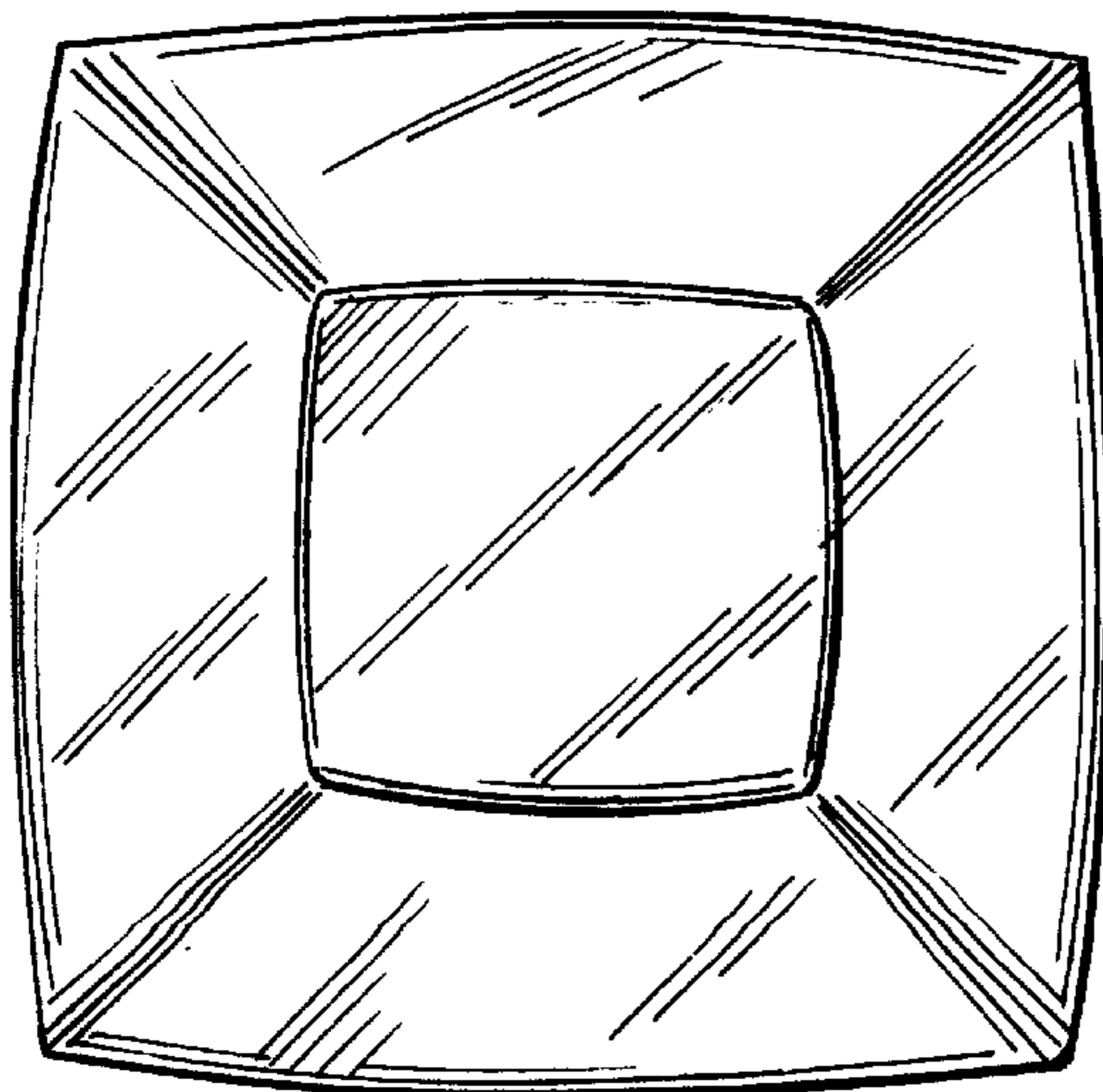


FIG.5