



US00D415035S

United States Patent [19]

Ankney et al.

[11] Patent Number: Des. 415,035

[45] Date of Patent: ** Oct. 12, 1999

[54] BEVERAGE CONTAINER

[75] Inventors: Donald H. Ankney, Jackson; Richard K. Rangler, Adrian; Scott C. Howland, Adrian; Alan W. Vanover, Adrian, all of Mich.

[73] Assignee: Hoover Universal, Inc., Plymouth, Mich.

[**] Term: 14 Years

[21] Appl. No.: 29/078,893

[22] Filed: Oct. 30, 1997

[51] LOC (6) Cl. 09-01

[52] U.S. Cl. D9/531

[58] Field of Search D9/500, 502-503, D9/507-508, 510, 516, 520, 522, 527-528, 530-531, 533, 546, 551, 554, 557, 559, 564, 569, 572-573; 215/370-375, 382-385, 396, 398; 220/771-772

[56] References Cited

U.S. PATENT DOCUMENTS

D. 229,670	12/1973	Platte	D9/531
D. 238,654	2/1976	Platte	D9/531
D. 256,664	9/1980	Burrington et al.	D9/531
D. 348,612	7/1994	Ring	D9/531
D. 391,854	3/1998	Ankney et al.	D9/551
3,708,082	1/1973	Platte	215/398

4,016,995	4/1977	Frazer	215/382
4,846,359	7/1989	Baird et al.	215/398
5,318,787	6/1994	Brauner et al.	215/398
5,833,115	11/1998	Eiten	215/398

Primary Examiner—Ted Shooman
Assistant Examiner—Carol Rademaker
Attorney, Agent, or Firm—Harness, Dickey & Pierce, P.L.C

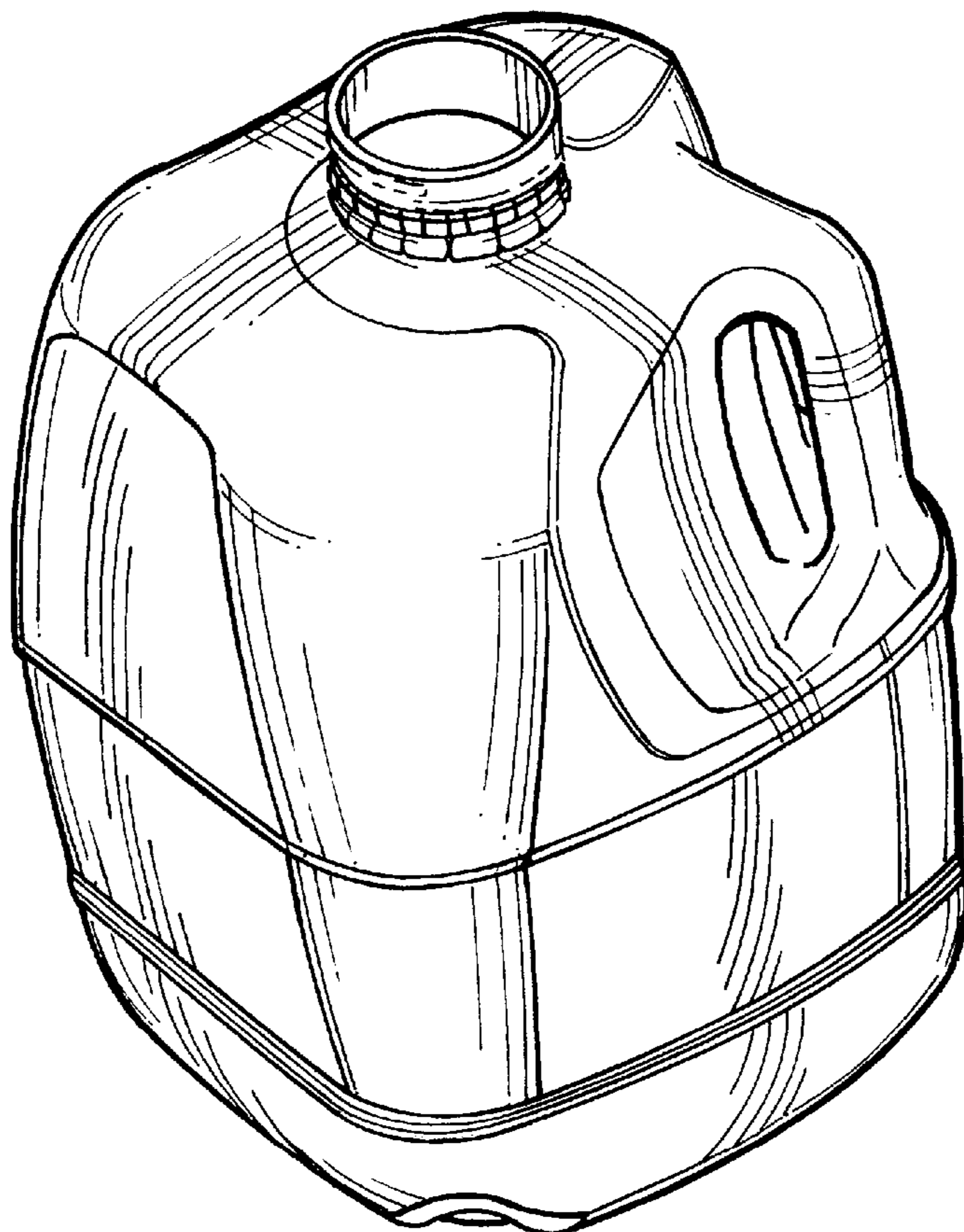
[57] CLAIM

The ornamental design for a beverage container, as shown and described.

DESCRIPTION

FIG. 1 is a perspective view of a beverage container showing my new design;
FIG. 2 is side elevational view from a corner of the beverage container as shown in FIG. 1, the opposite side being a mirror image thereof;
FIG. 3 is a front elevational view of the beverage container thereof;
FIG. 4 is a rear elevational view of the beverage container thereof;
FIG. 5 is a top plan view of the beverage container thereof; and,
FIG. 6 is a bottom plan view of the beverage container thereof.
The broken lines showing thread around the neck in FIGS. 1 through 5 of the drawing are for illustrative purpose only and do not for part of the claimed design.

1 Claim, 3 Drawing Sheets



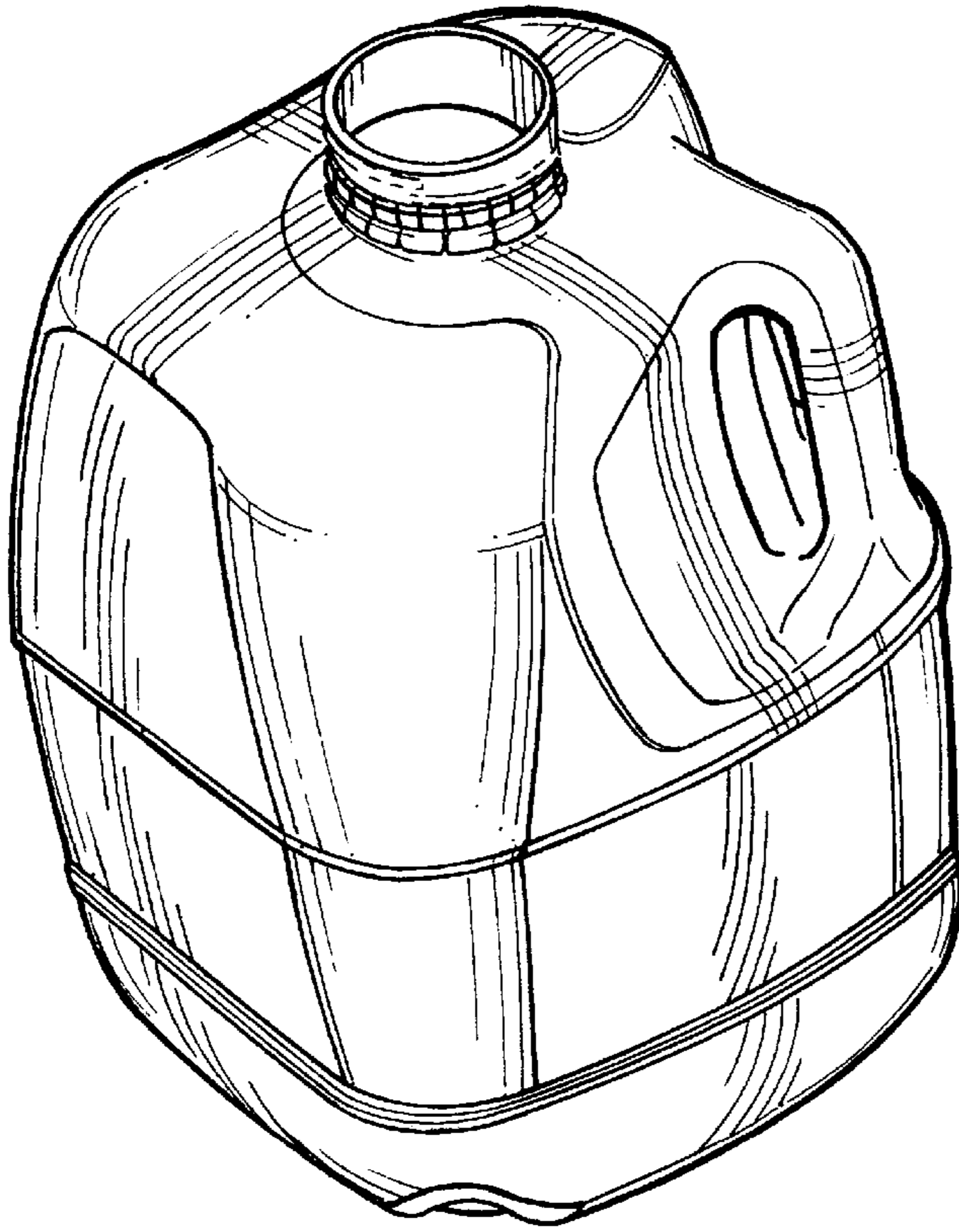


Fig-1

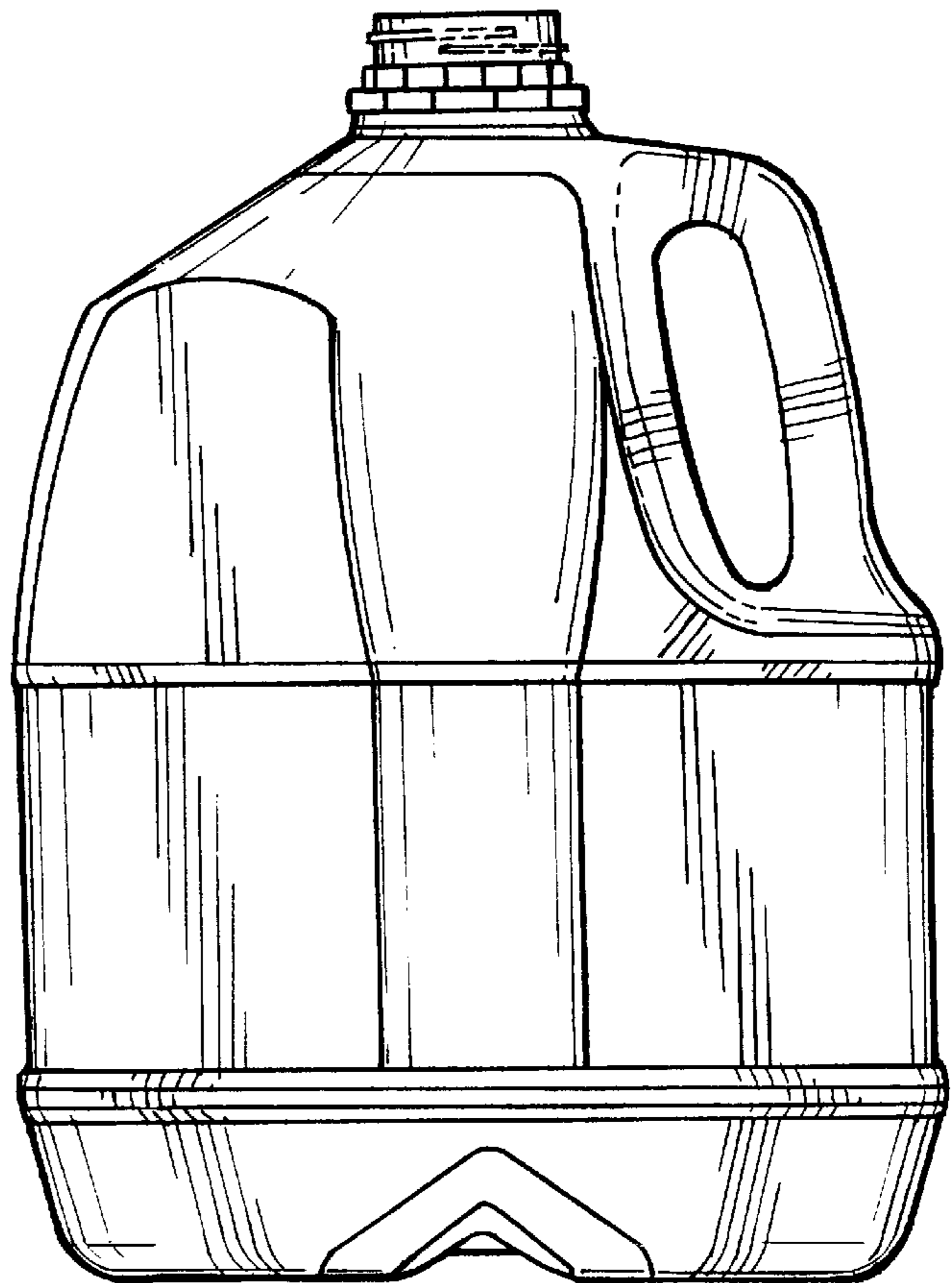


Fig-2

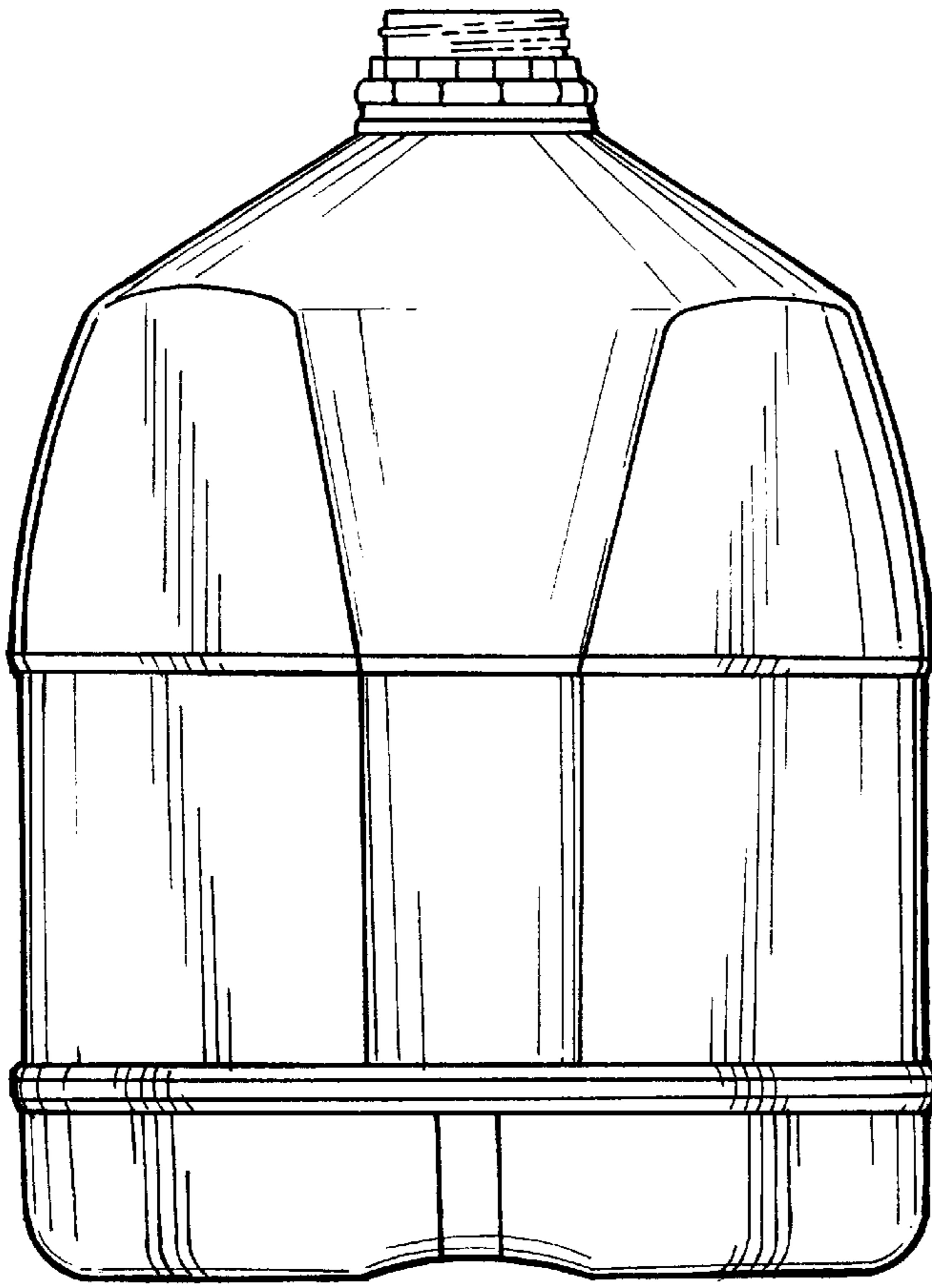


Fig-3

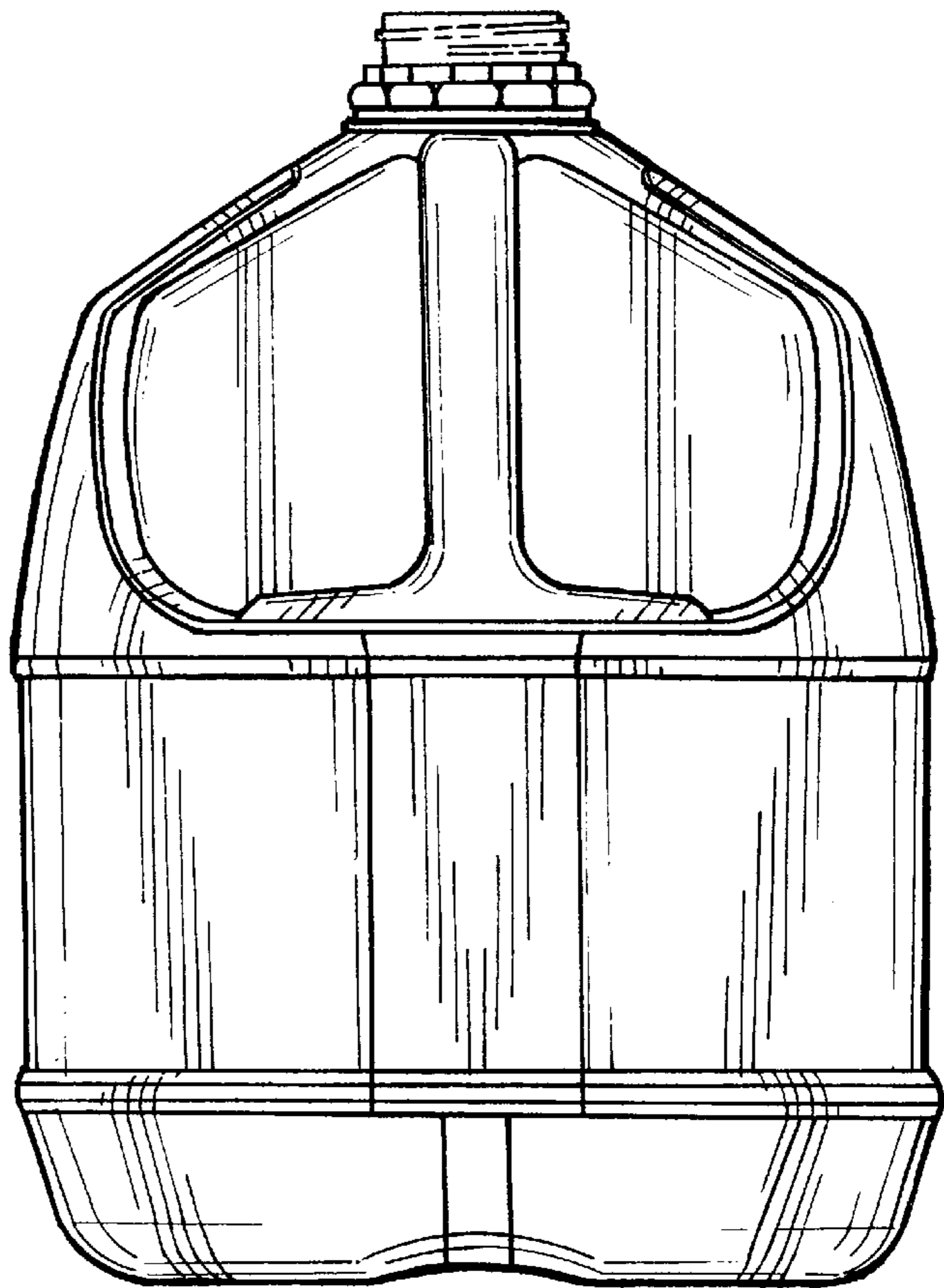


Fig-4

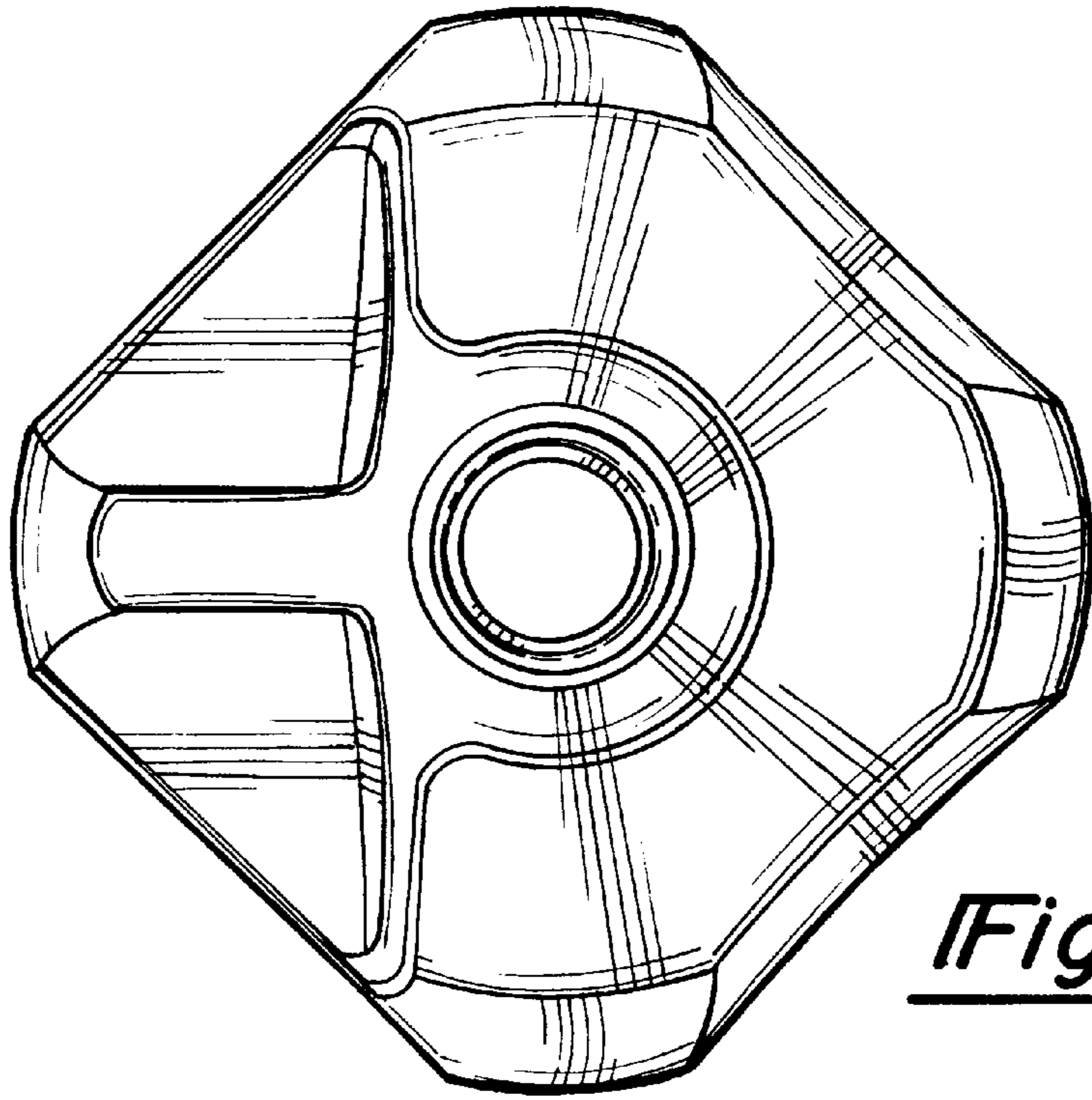


Fig-5

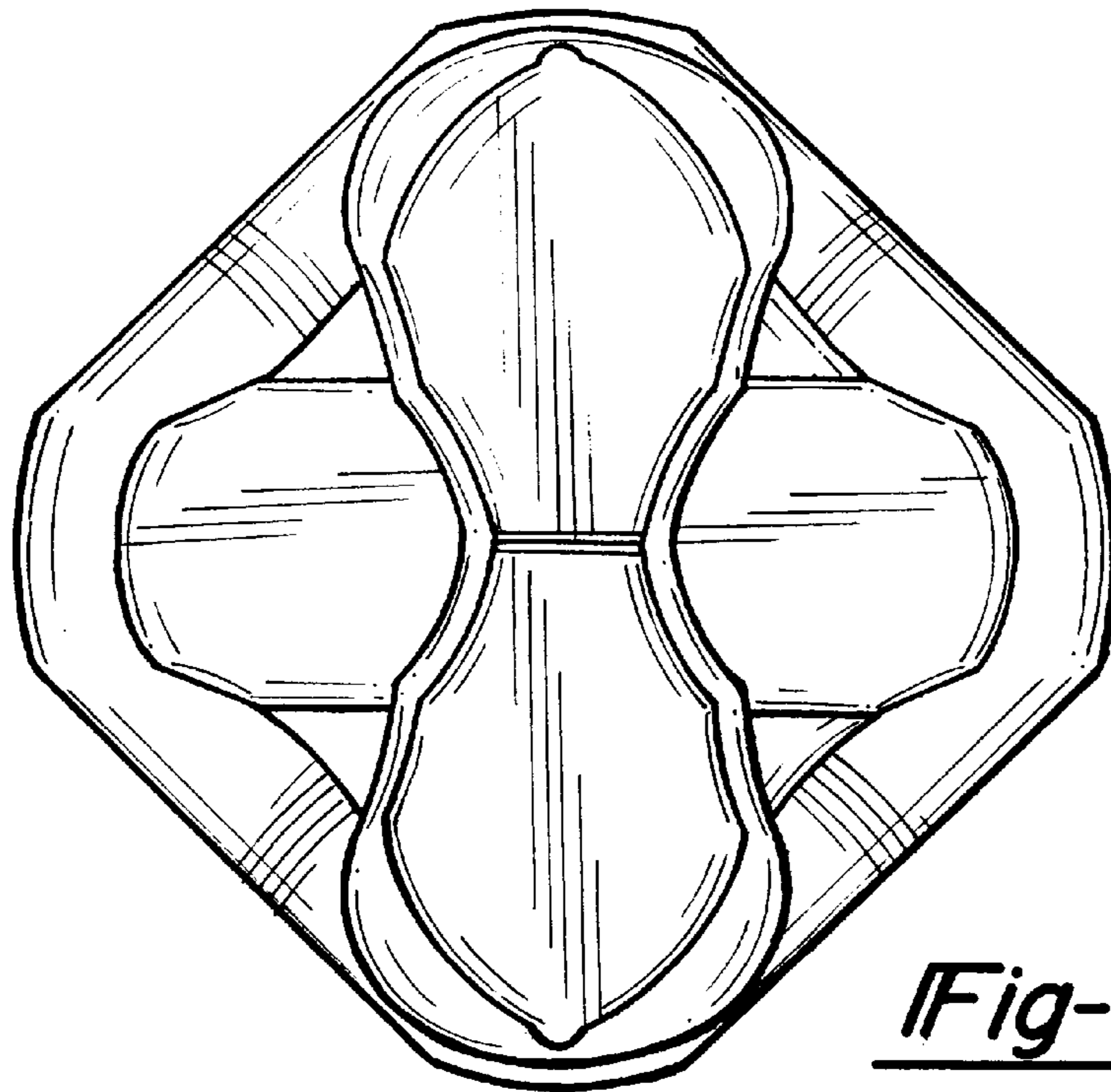


Fig-6

UNITED STATES PATENT AND TRADEMARK OFFICE
CERTIFICATE OF CORRECTION

PATENT NO. : Des. 415,035
DATED : October 12, 1999
INVENTOR(S) : Donald H. Ankney, Richard K. Rangler, Scott C. Howland
and Alan W. Vanover

It is certified that error appears in the above-identified patent and that said Letters Patent is hereby corrected as shown below:

On the title page, second column, line 27 in the Description, after "not" delete "for" and insert --form--.

Signed and Sealed this
Twenty-fifth Day of April, 2000

Attest:



Q. TODD DICKINSON

Attesting Officer

Director of Patents and Trademarks