



US00D415027S

United States Patent [19] Blazar

[11] Patent Number: **Des. 415,027**

[45] Date of Patent: **** Oct. 12, 1999**

[54] **WIPING CLOTH MERCHANDIZING PAIL LID**

[75] Inventor: **Joseph E. Blazar**, Joplin, Mo.

[73] Assignee: **L&P Property Management Company**, South Gate, Calif.

[**] Term: **14 Years**

[21] Appl. No.: **29/087,731**

[22] Filed: **May 8, 1998**

[51] **LOC (6) Cl.** **09-07**

[52] **U.S. Cl.** **D9/447; D9/440; D9/454**

[58] **Field of Search** **D9/435, 439, 440, D9/447, 454; D7/392, 591, 612, 629; D32/53, 54; 215/307, 309, 310, 391; 220/219, 227, 367.1, 369, 580; 221/303, 305, 306; 222/480**

[56] **References Cited**

U.S. PATENT DOCUMENTS

D. 57,134	2/1921	Jones	D9/440
D. 309,710	8/1990	Groves	D9/447 X
D. 315,475	3/1991	Finger et al.	D9/447 X

D. 352,209	11/1994	Cousins et al.	D9/454 X
D. 355,735	2/1995	Shaffer et al.	D32/53
D. 358,531	5/1995	Cousins et al.	D7/612
1,715,169	5/1929	McKee	222/480 X
3,090,537	5/1963	Pasciak	220/367.1
3,115,985	12/1963	Fried	D9/438 X
3,374,921	3/1968	Kelley	D9/443 X

Primary Examiner—Cathron B. Matta
Attorney, Agent, or Firm—Wood, Herron & Evnas, LLP

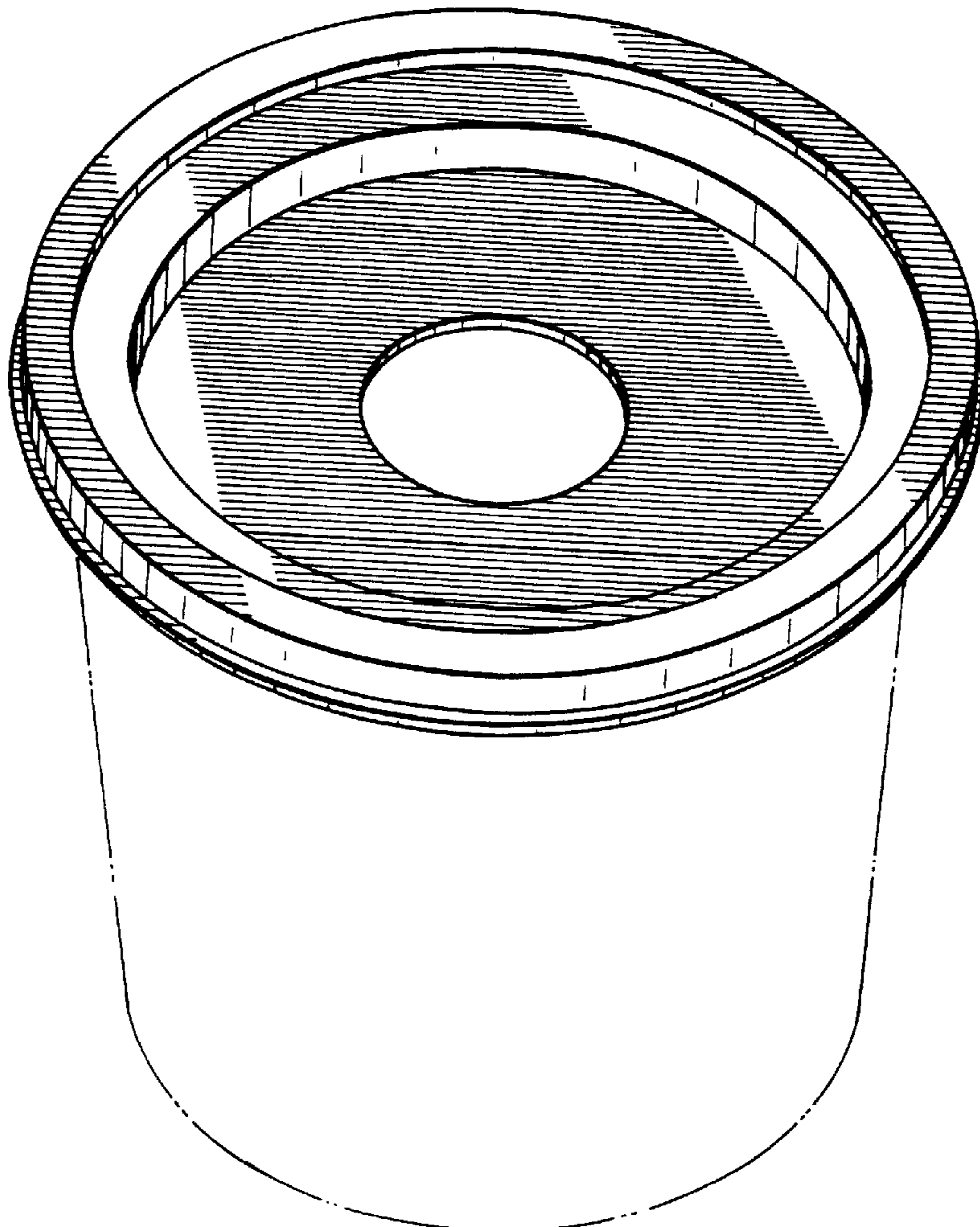
[57] **CLAIM**

The ornamental design for wiping cloth merchandising pail lid, as shown and described.

DESCRIPTION

FIG. 1 is a perspective view of a wiping cloth merchandising pail lid showing my new design;
FIG. 2 is a top plan view thereof;
FIG. 3 is a side elevational view thereof, the opposite side being a mirror image thereof; and,
FIG. 4 is a bottom plan view thereof.
The broken line showing of a container is for illustrative purposes only and forms no part of the claimed design.

1 Claim, 2 Drawing Sheets



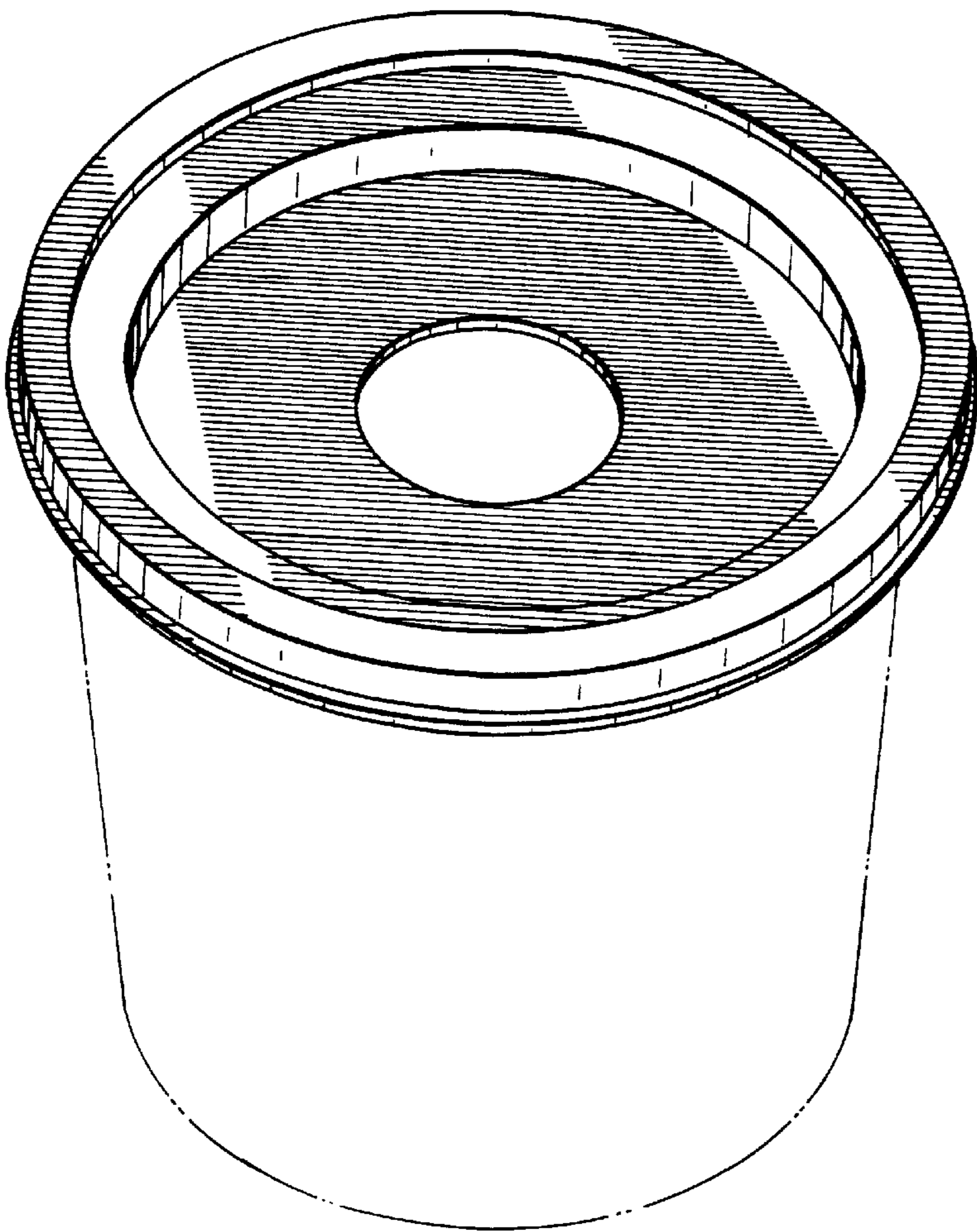


FIG. 1

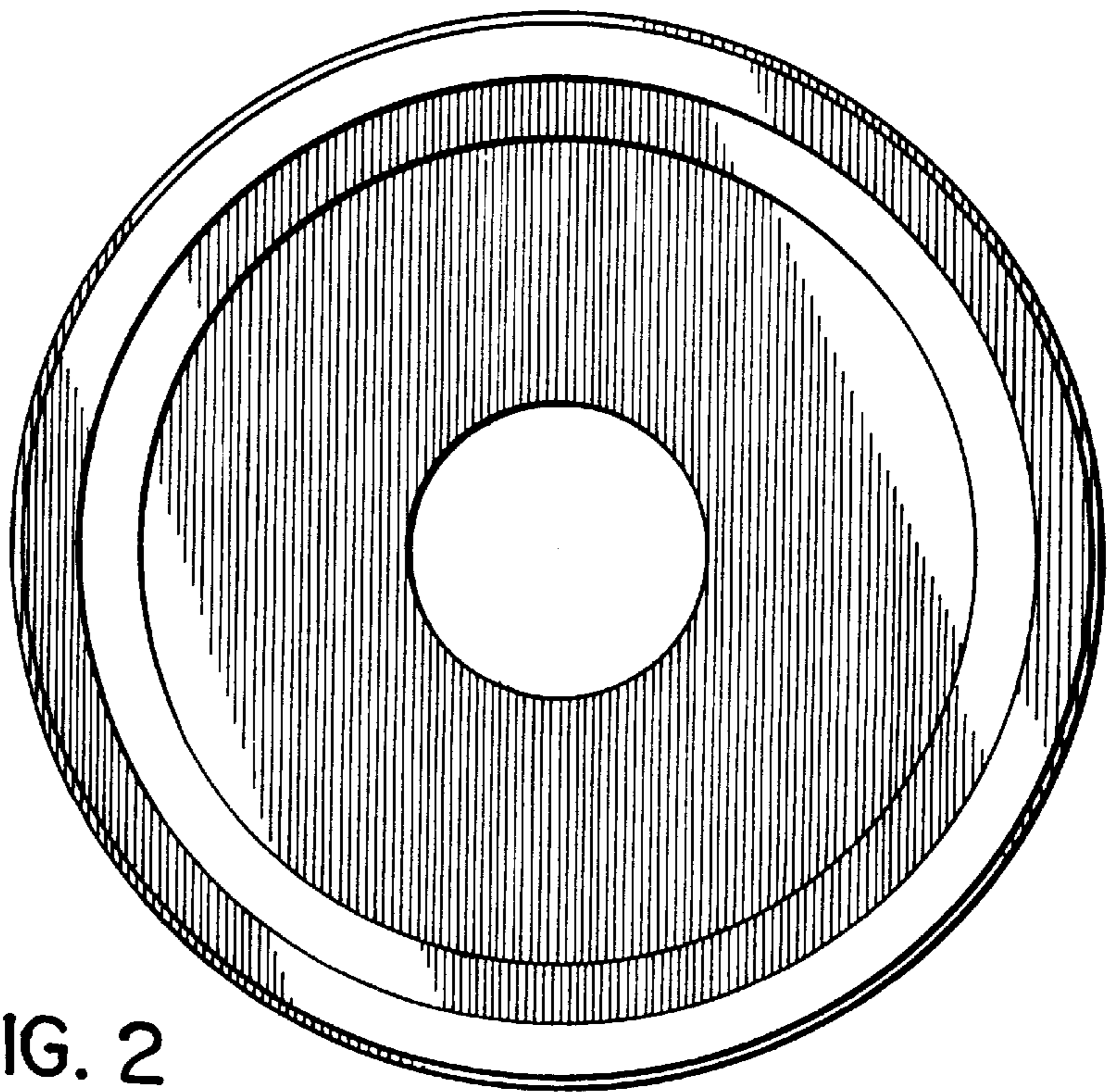


FIG. 2

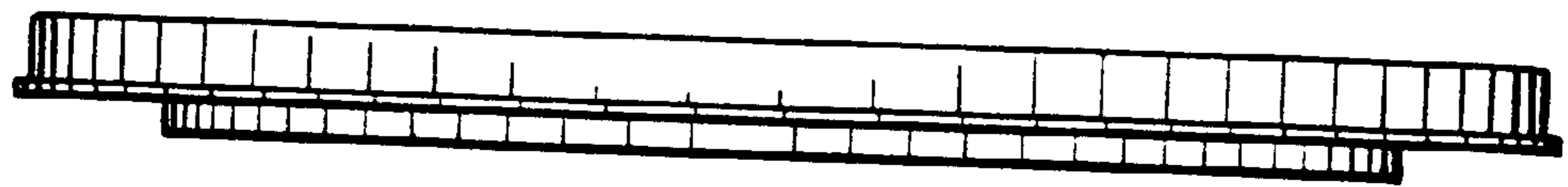


FIG. 3

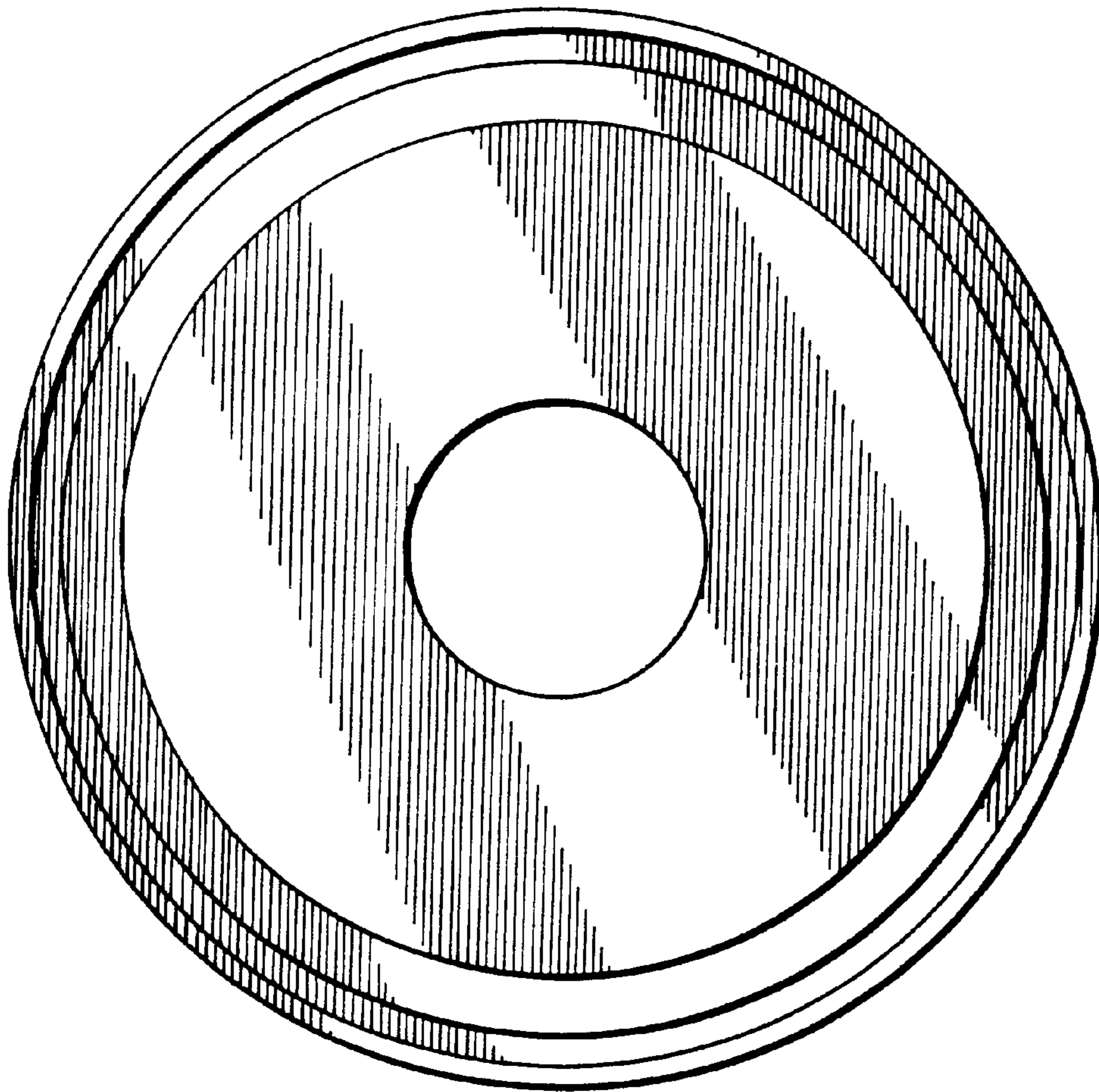


FIG. 4