



US00D415025S

# United States Patent [19] McCann

[11] Patent Number: Des. 415,025

[45] Date of Patent: \*\* Oct. 12, 1999

[54] DISPOSABLE FOOD CONTAINER

5,862,977 1/1999 Hirano ..... 229/4.5 X

[75] Inventor: Raymond P. McCann, Phoenix, Ariz.

### OTHER PUBLICATIONS

Tenneco Packaging Cat. p. 68, 1996.

[73] Assignee: ELM Packaging Company, Fullerton, Calif.

Primary Examiner—Prabhakar Deshmukh  
Attorney, Agent, or Firm—McDermott, Will & Emery

[\*\*] Term: 14 Years

### [57] CLAIM

[21] Appl. No.: 29/096,809

The ornamental design for the disposable food container, as shown and described.

[22] Filed: Nov. 20, 1998

### DESCRIPTION

[51] LOC (6) Cl. .... 09-07

[52] U.S. Cl. .... D9/429; D9/425; D9/431;  
D7/562; D7/584; D7/610; D7/629

FIG. 1 is a top view of the base compartment of the disposable food container.

FIG. 2 is a bottom view of the base compartment of FIG. 1.

FIG. 3 is a side view of the base compartment of FIG. 1.

FIG. 4 is a perspective view of the base compartment of FIG. 1.

[58] Field of Search ..... D9/428-431, 424, D9/425, 426, 341; D7/602-629, 641, 562, 584; 206/518, 541; 220/4.21, 4.22, 4.23, 376, 377; 229/108, 406, 906, 938; 426/115

FIG. 5 is a top view of the cover of the disposable food container, which is disposed on the base compartment of FIG. 1.

FIG. 6 is a bottom view of the cover of FIG. 5.

FIG. 7 is a side view of the cover of FIG. 5.

FIG. 8 is a perspective view of the cover of FIG. 5; and, FIG. 9 is a perspective view of the disposable food container showing the cover of FIG. 5 disposed on the base compartment of FIG. 1.

### [56] References Cited

#### U.S. PATENT DOCUMENTS

Re. 32,739	8/1988	Terauds	220/306
D. 346,554	5/1994	Krupa	D9/429
D. 358,091	5/1995	Warburton	D9/425 X
D. 374,820	10/1996	Knoss et al.	D9/429
D. 391,850	3/1998	Krupa et al.	D9/429
4,874,083	10/1989	Antoni et al.	220/556 X
4,974,738	12/1990	Kidd et al.	229/406 X
5,607,709	3/1997	Fritz et al.	220/669 X

1 Claim, 9 Drawing Sheets

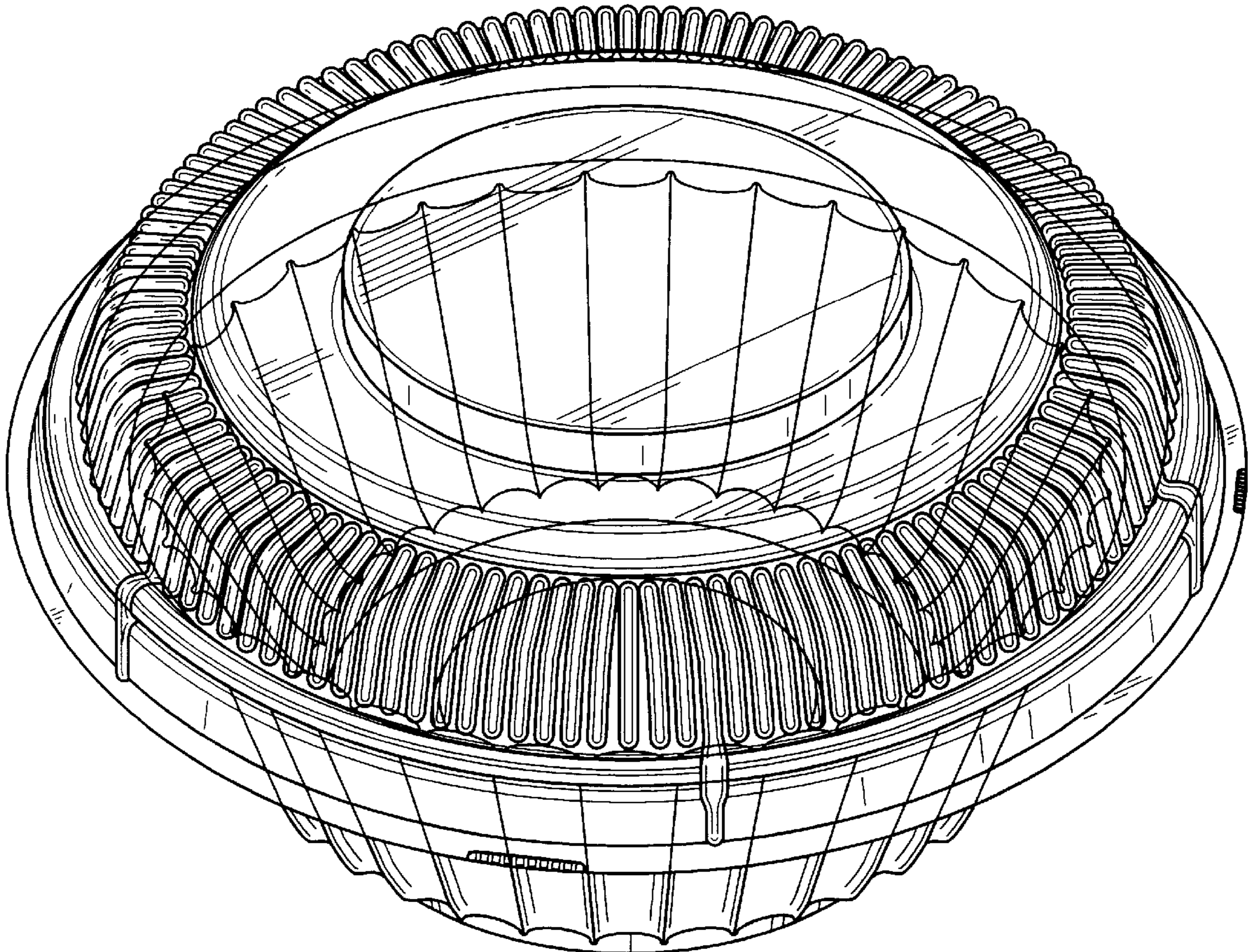




FIG. 1

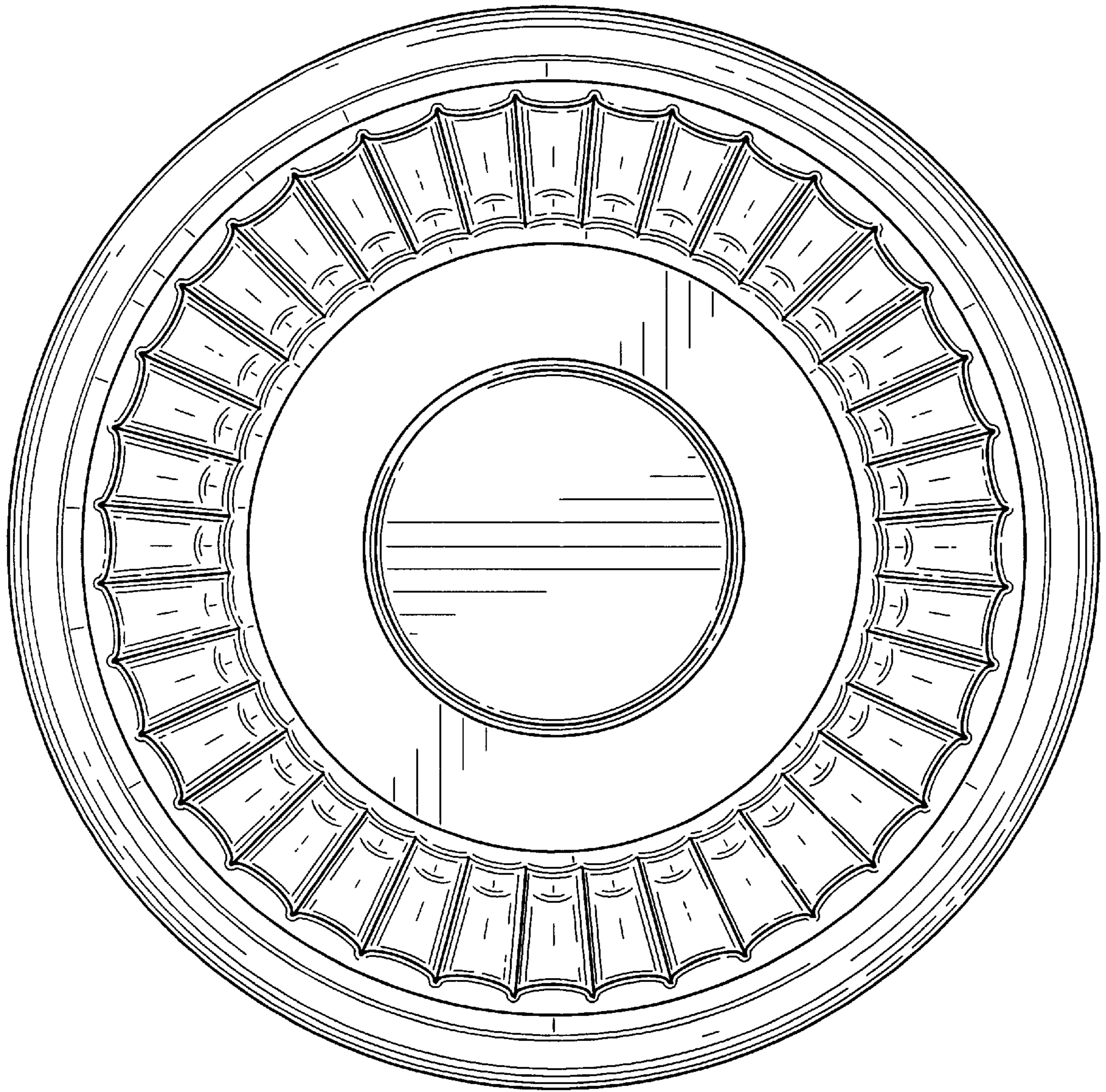


FIG. 2

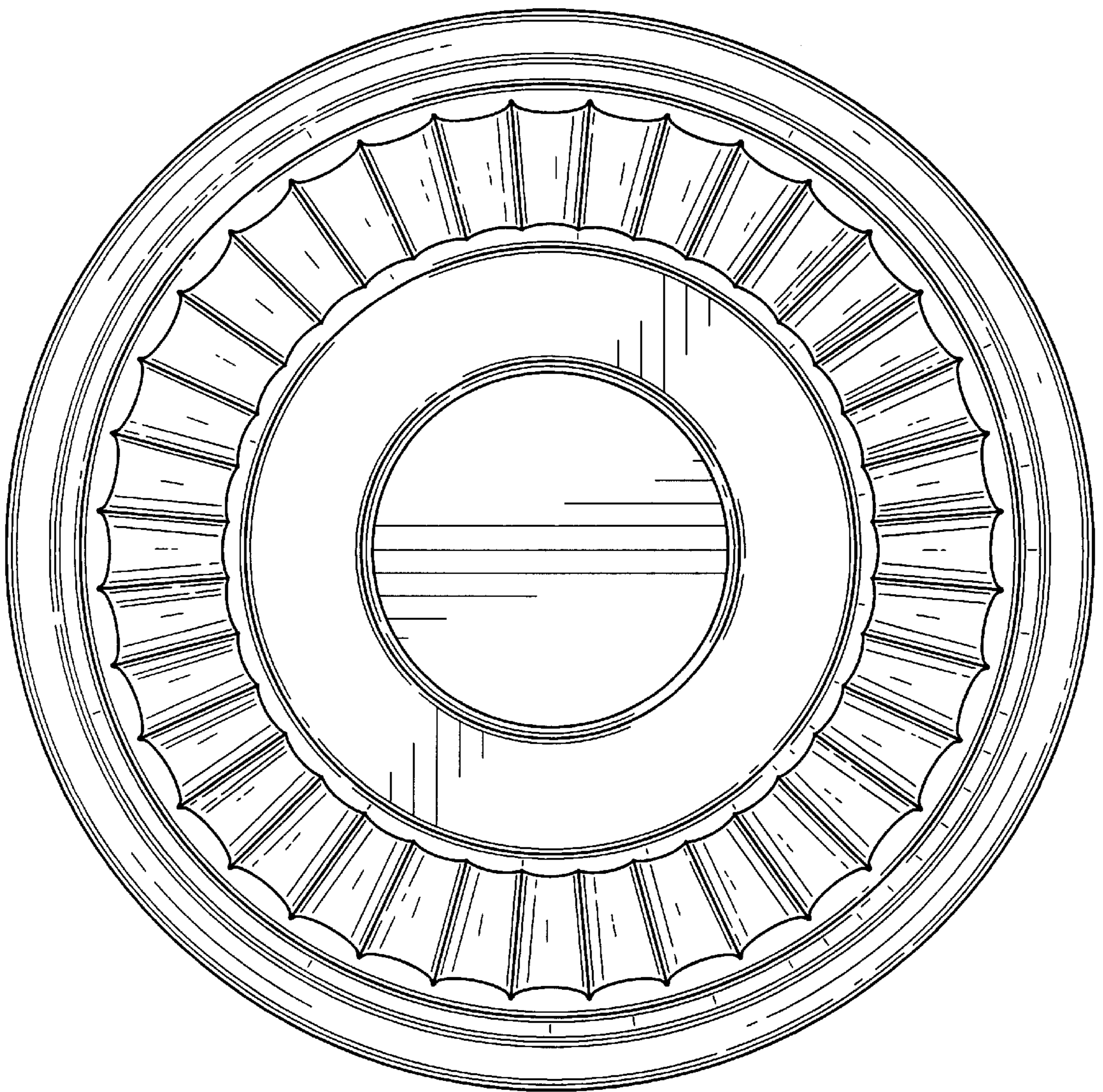




FIG. 3

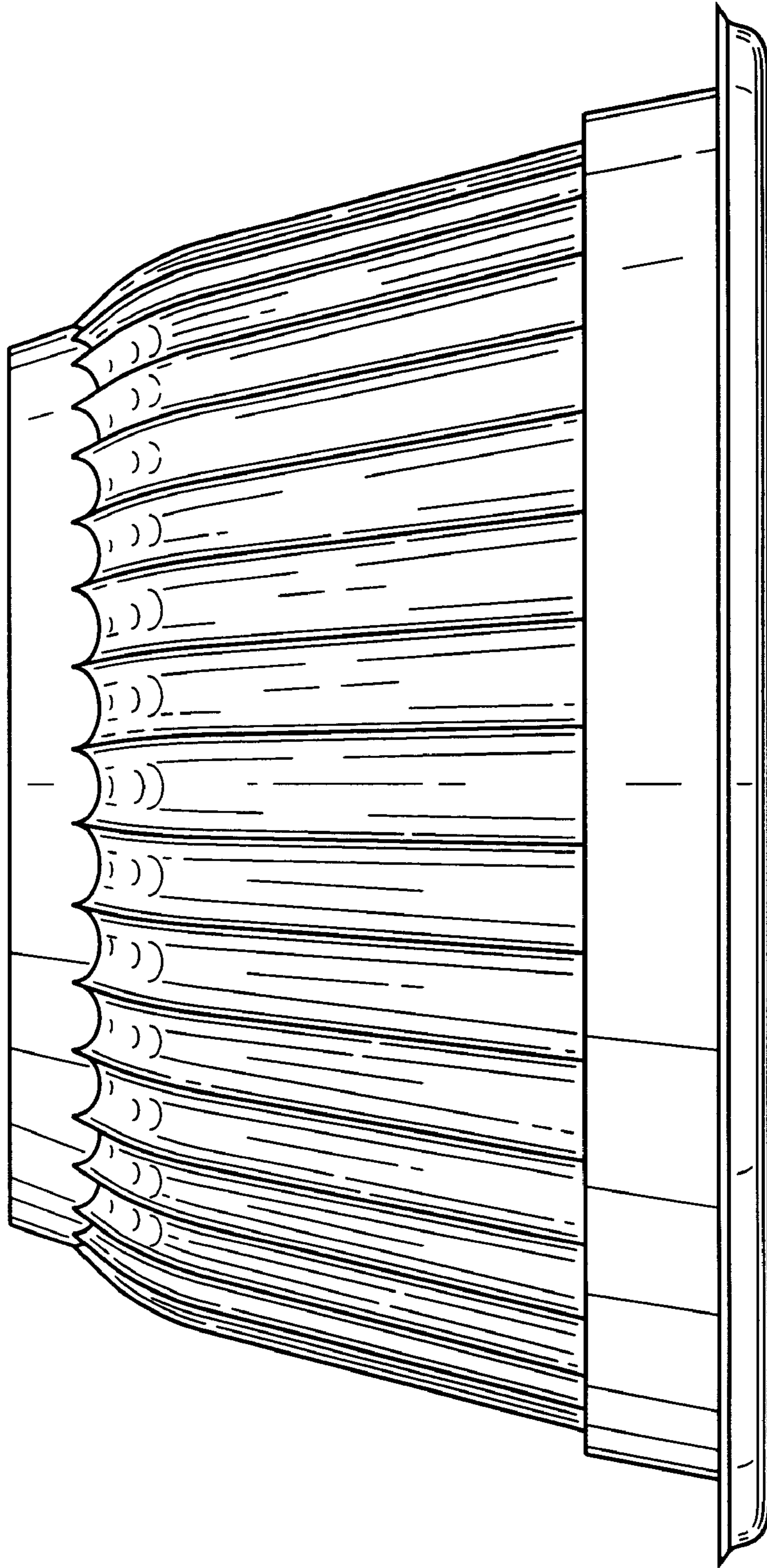


FIG. 4

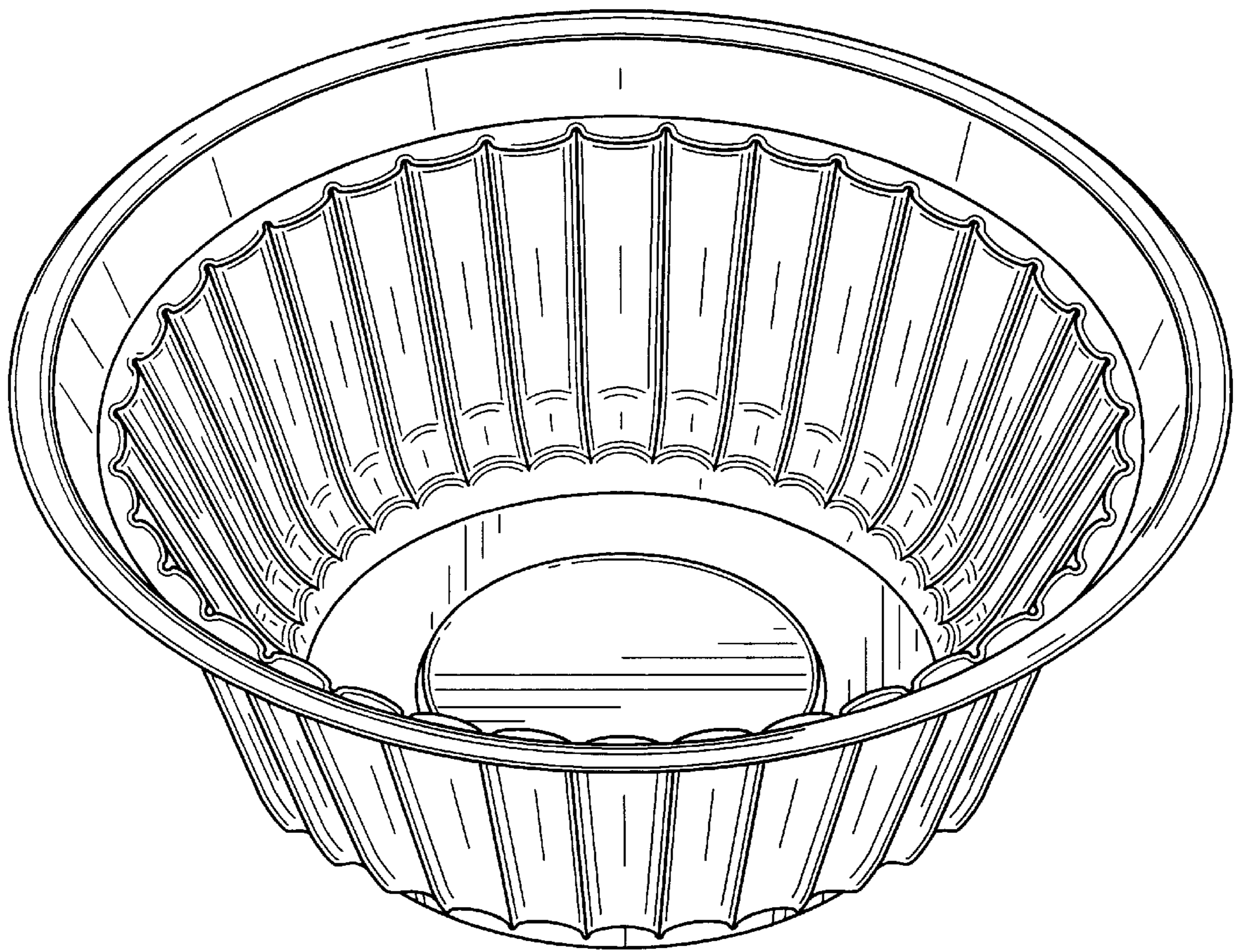




FIG. 5

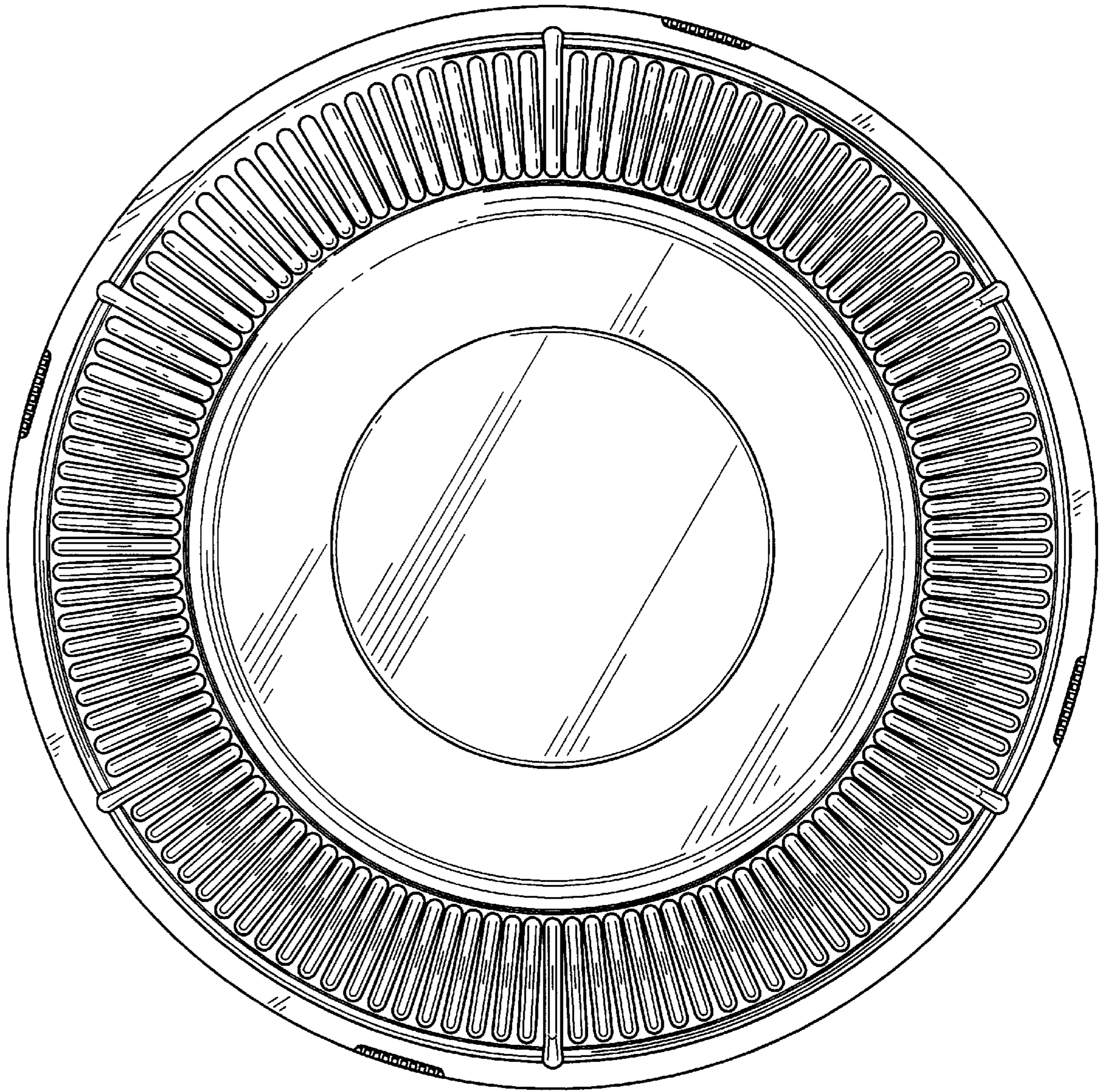




FIG. 6

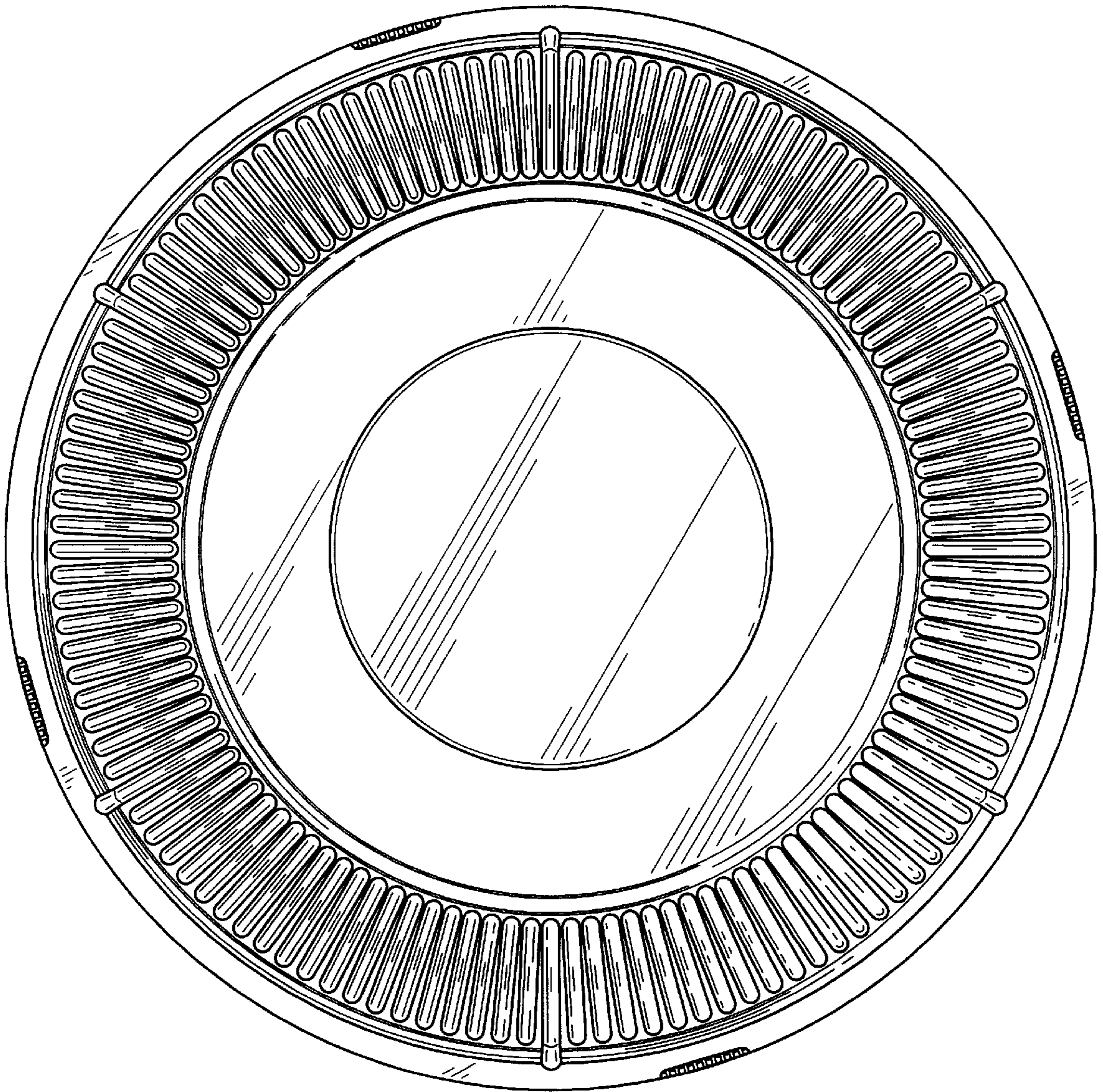


FIG. 7

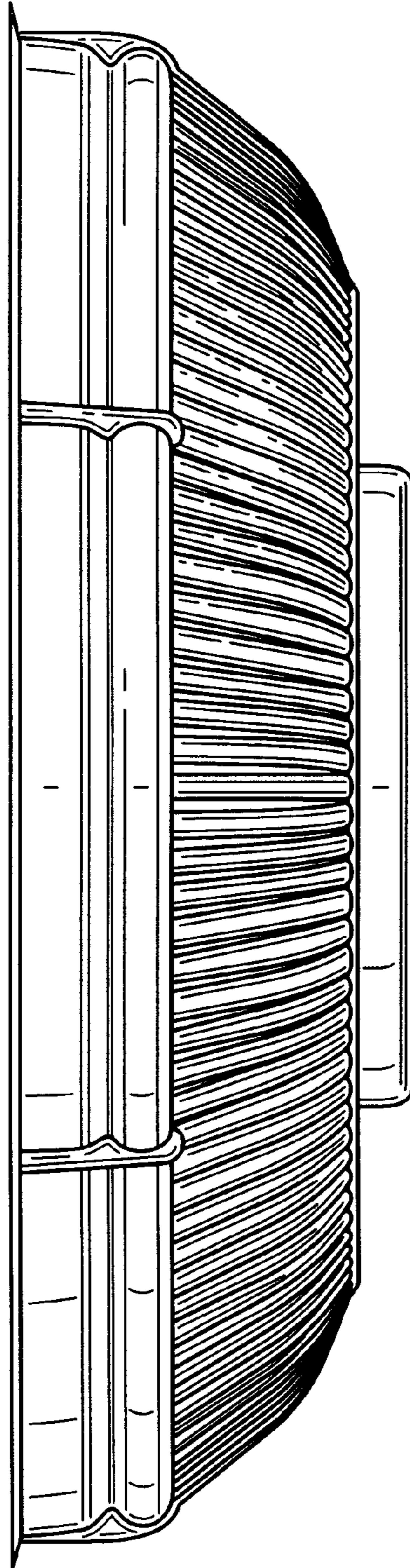




FIG. 8

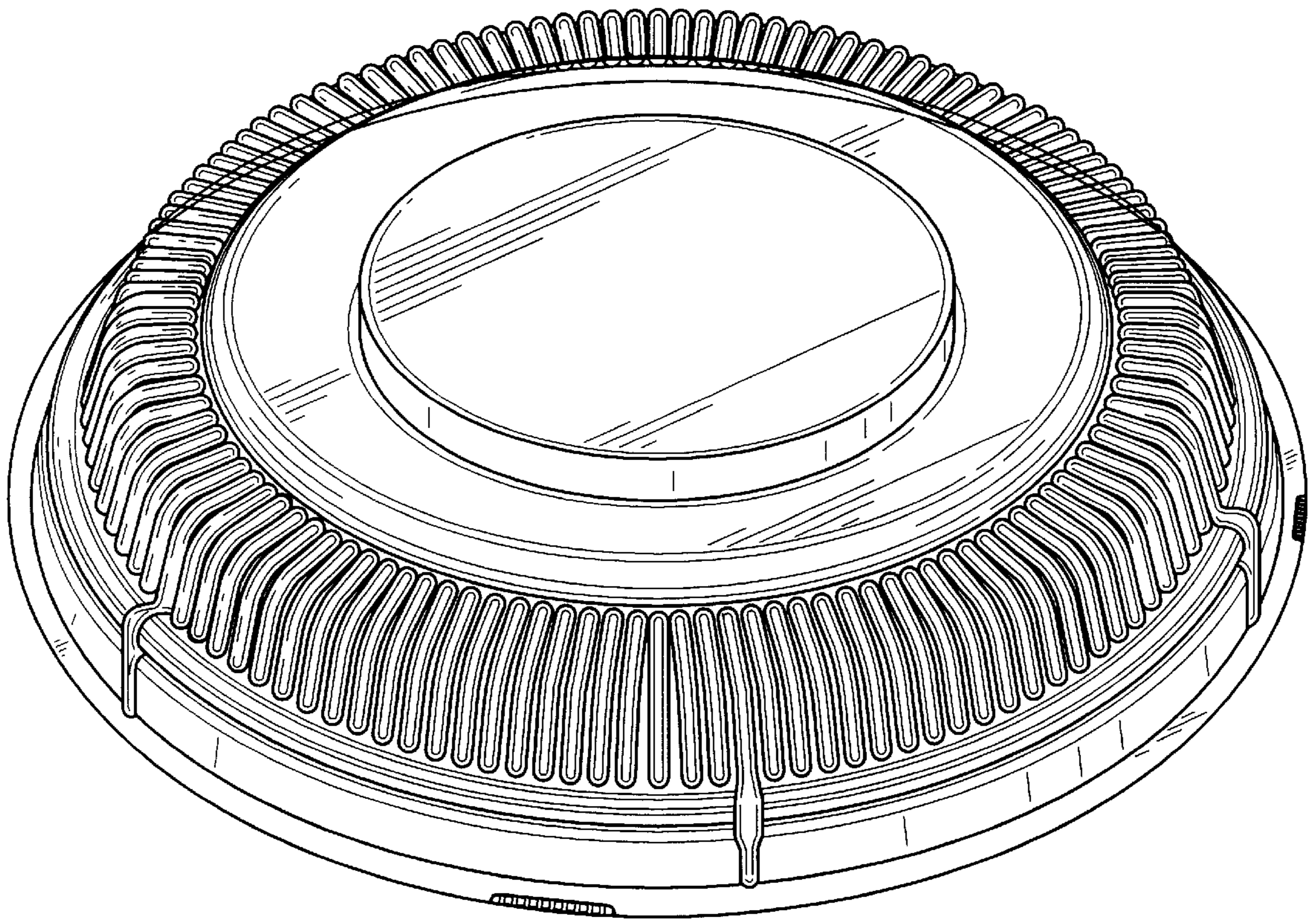


FIG. 9

