



US00D415023S

# United States Patent [19] Snyder

[11] Patent Number: Des. 415,023

[45] Date of Patent: \*\* Oct. 12, 1999

[54] TRIANGULAR TRI-PACK CONTAINER

[75] Inventor: David Snyder, Bartlett, Ill.

[73] Assignee: W. Braun Company, Chicago, Ill.

[\*\*] Term: 14 Years

[21] Appl. No.: 29/085,418

[22] Filed: Mar. 23, 1998

[51] LOC (6) Cl. .... 09-01

[52] U.S. Cl. .... D9/341

[58] Field of Search ..... D9/341, 501, 517;  
215/6, 10; 220/23.4, 23.83; 206/504, 432;  
222/142.9, 143

[56] **References Cited**

U.S. PATENT DOCUMENTS

D. 136,692	11/1943	Glueck	.....	D9/341
D. 159,746	8/1950	Merke	.....	D9/517
D. 302,656	8/1989	Green	.....	D9/341
D. 323,108	1/1992	Green	.....	D9/341
D. 342,022	12/1993	Pritchard	.....	D9/341

4,165,812 8/1979 Jennison ..... 215/10  
5,316,159 5/1994 Douglas et al. .... 215/10

Primary Examiner—Dominic Simone  
Attorney, Agent, or Firm—Michael G. Berkman

[57] **CLAIM**

The ornamental design for a triangular tri-pack container, as shown and described.

**DESCRIPTION**

FIG. 1 is a front perspective view thereof, showing a triangular tri-pack container of my new design; FIG. 2 is a front elevational view thereof; FIG. 3 is a side elevational view thereof; FIG. 4 is a an elevational view of that side of the container opposite the side shown in FIG. 3; FIG. 5 is a top view thereof; FIG. 6 is a bottom view thereof; and, FIG. 7 is a front perspective view of the tri-pack container of FIG. 1, with the surmounting closure cap lifted to expose the three capped, triangular containers concealed thereby.

1 Claim, 2 Drawing Sheets

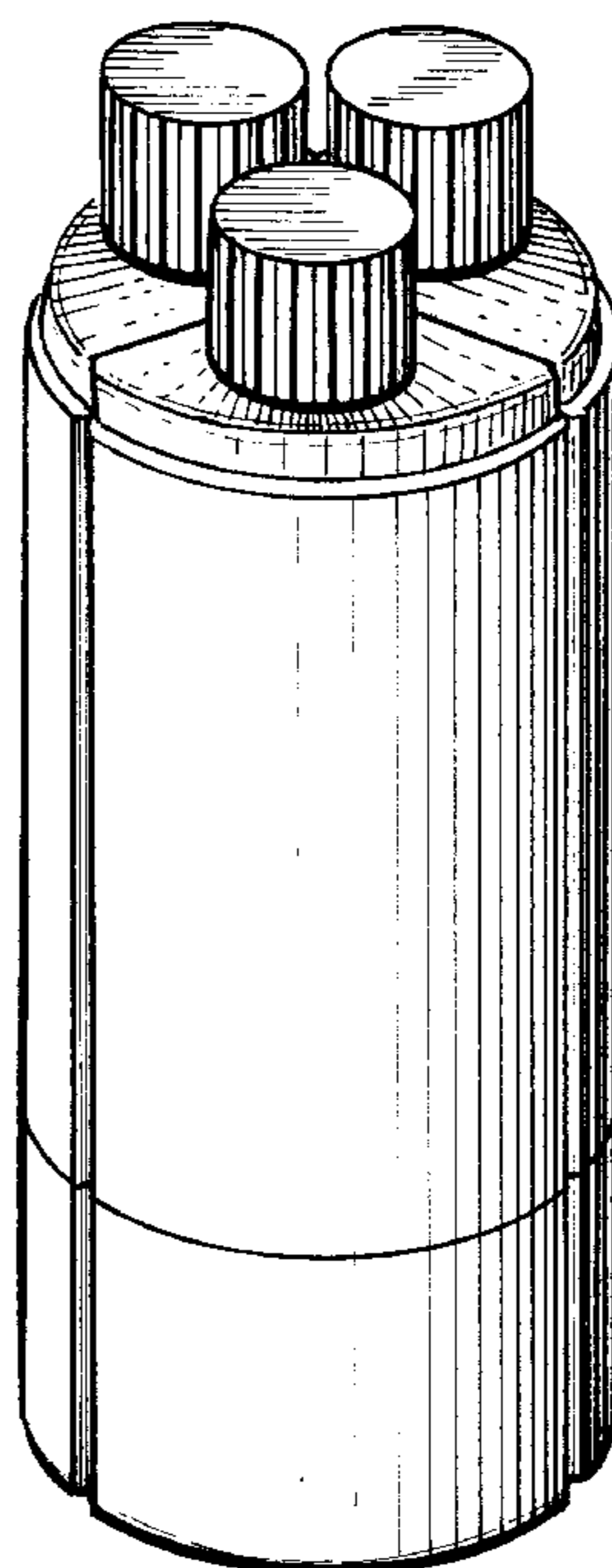
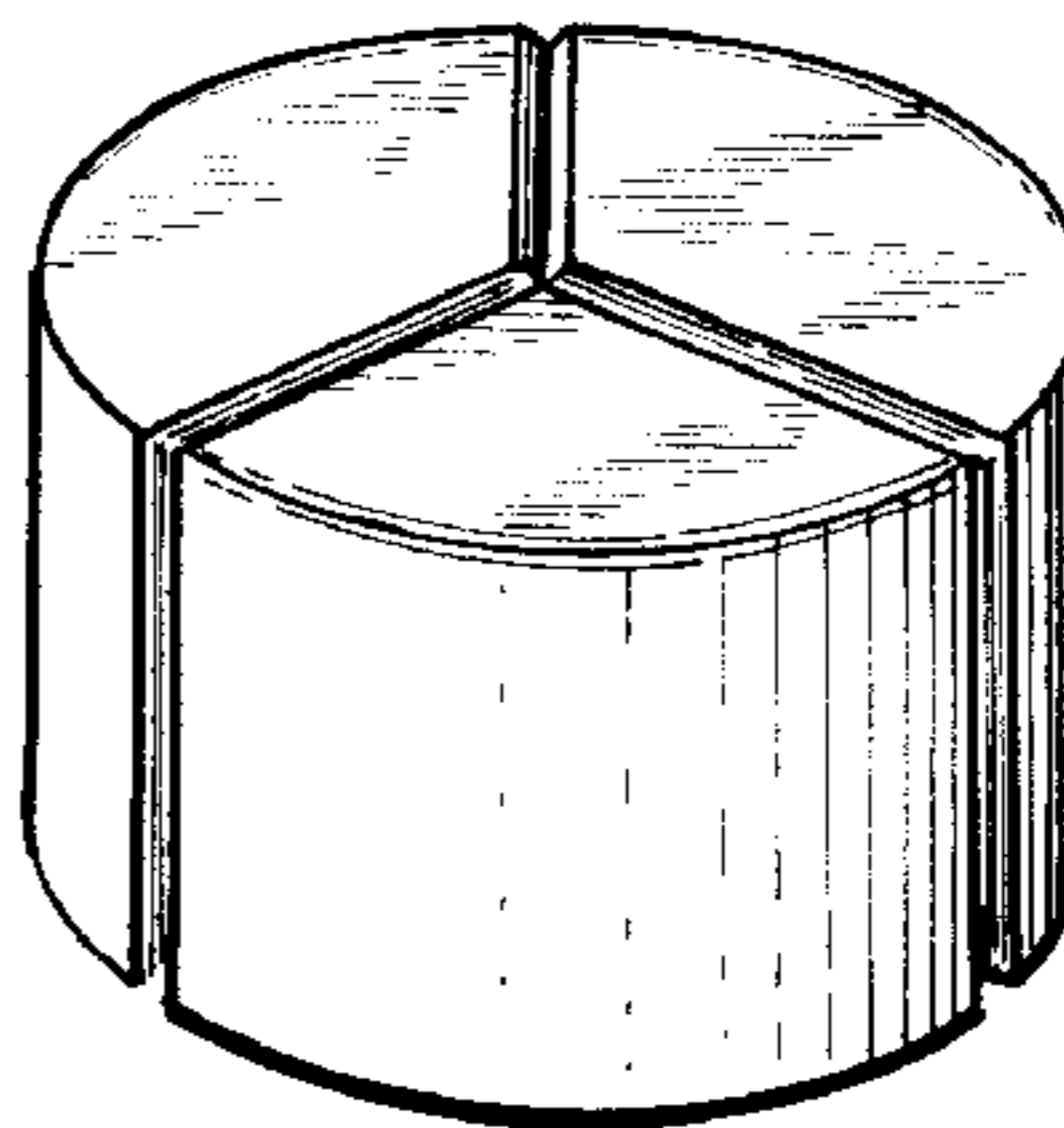
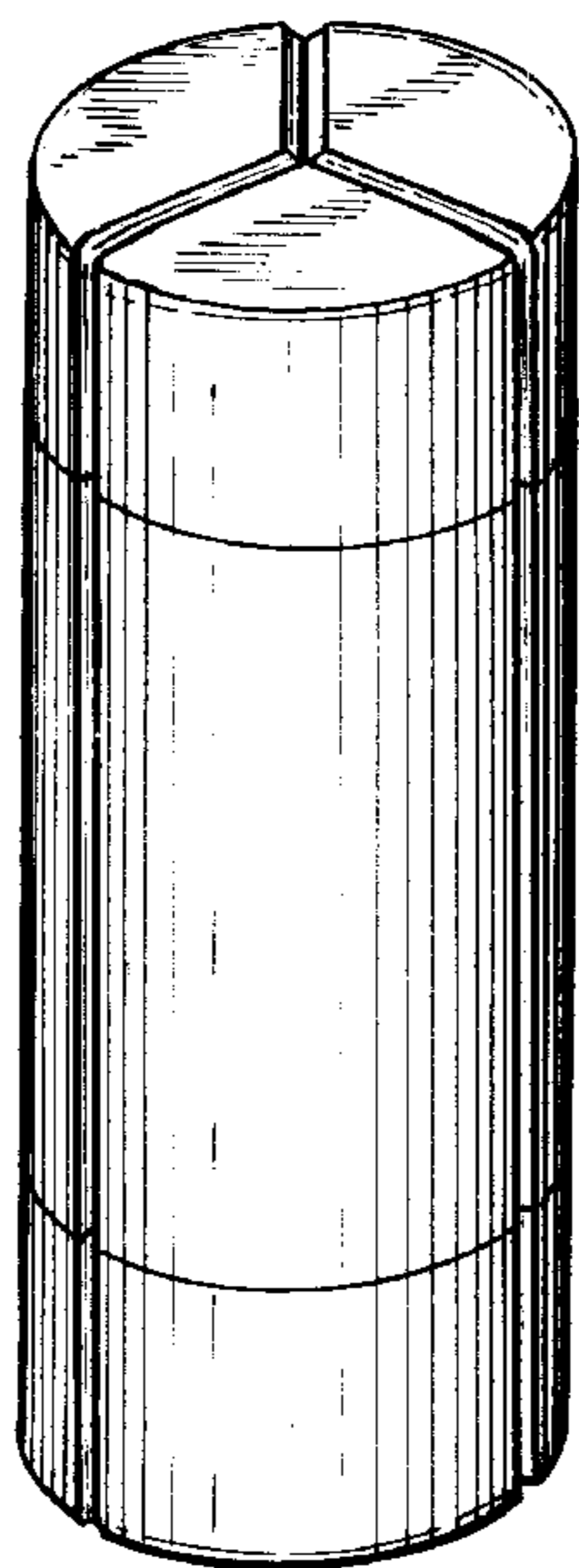


FIG.1

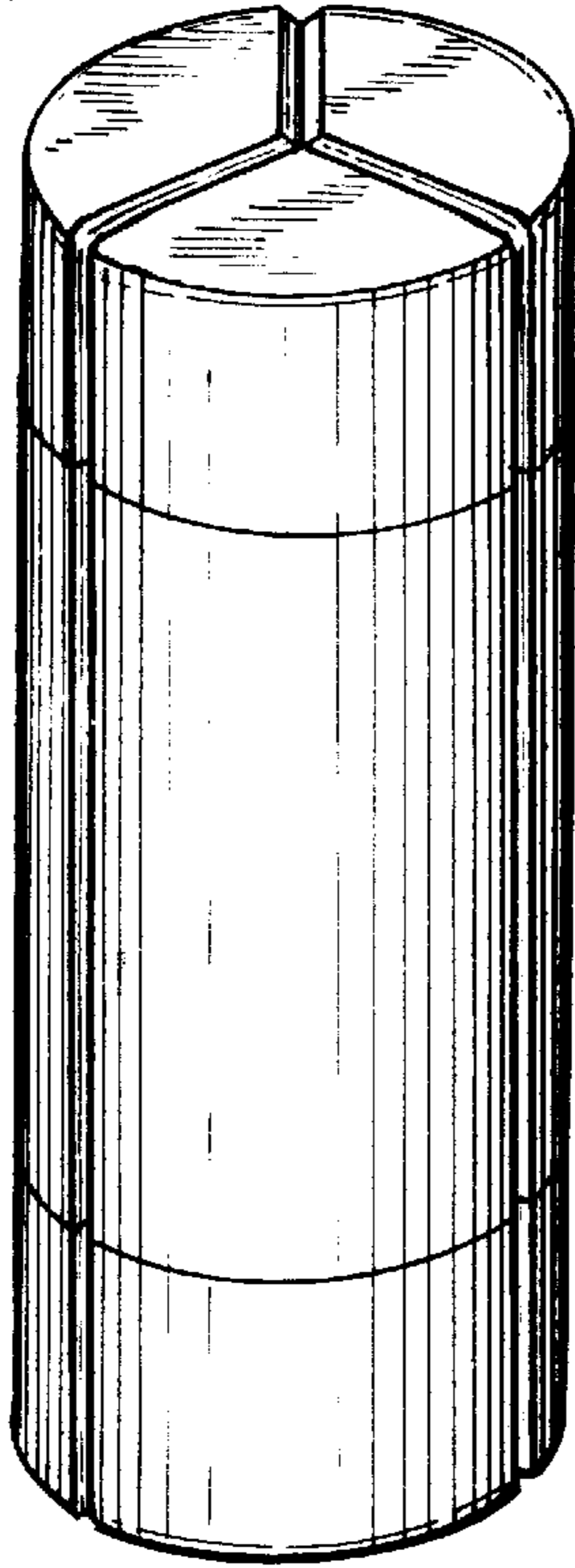


FIG.2

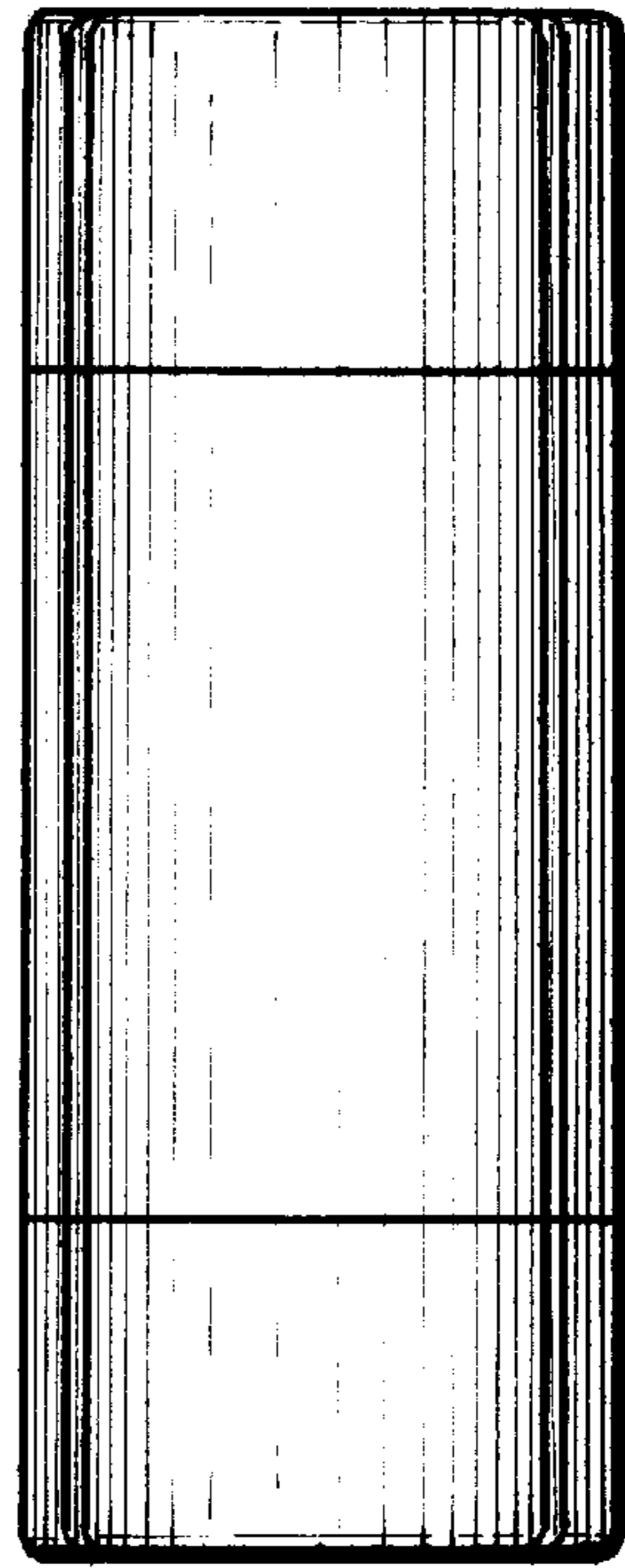


FIG.3

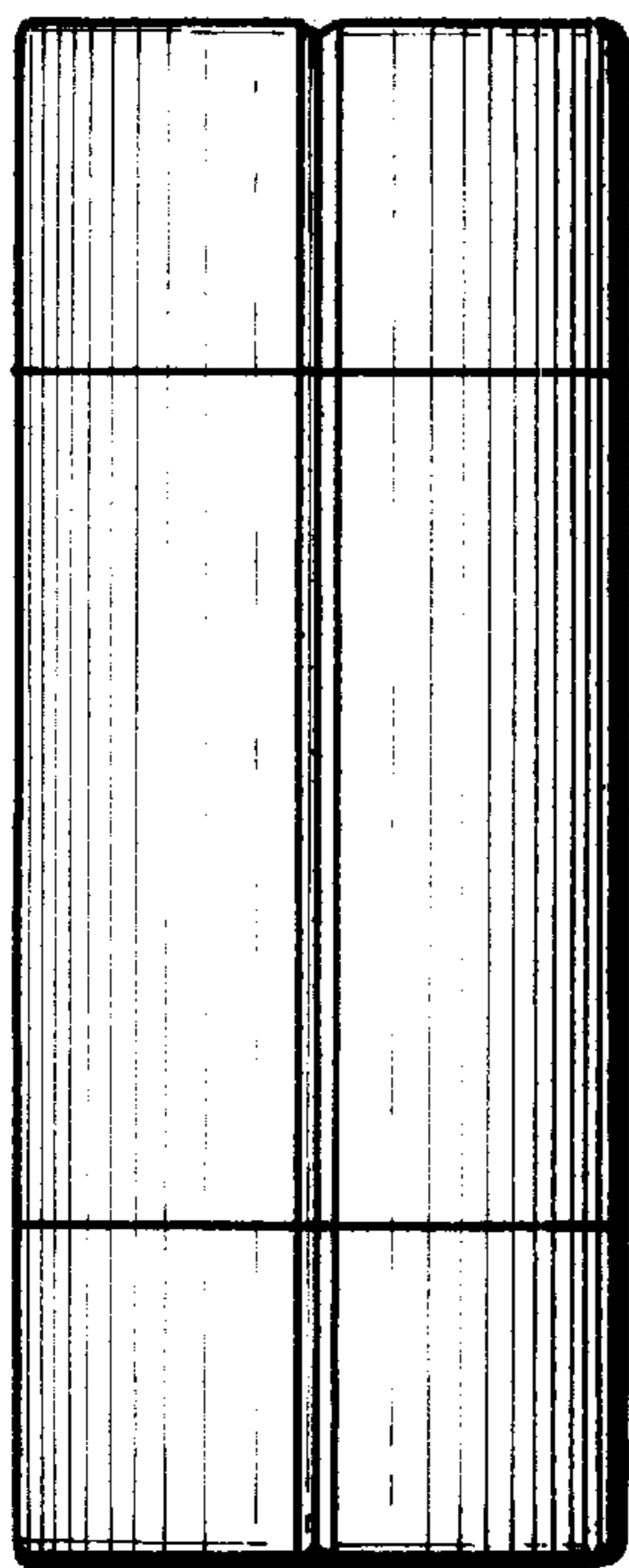


FIG.4

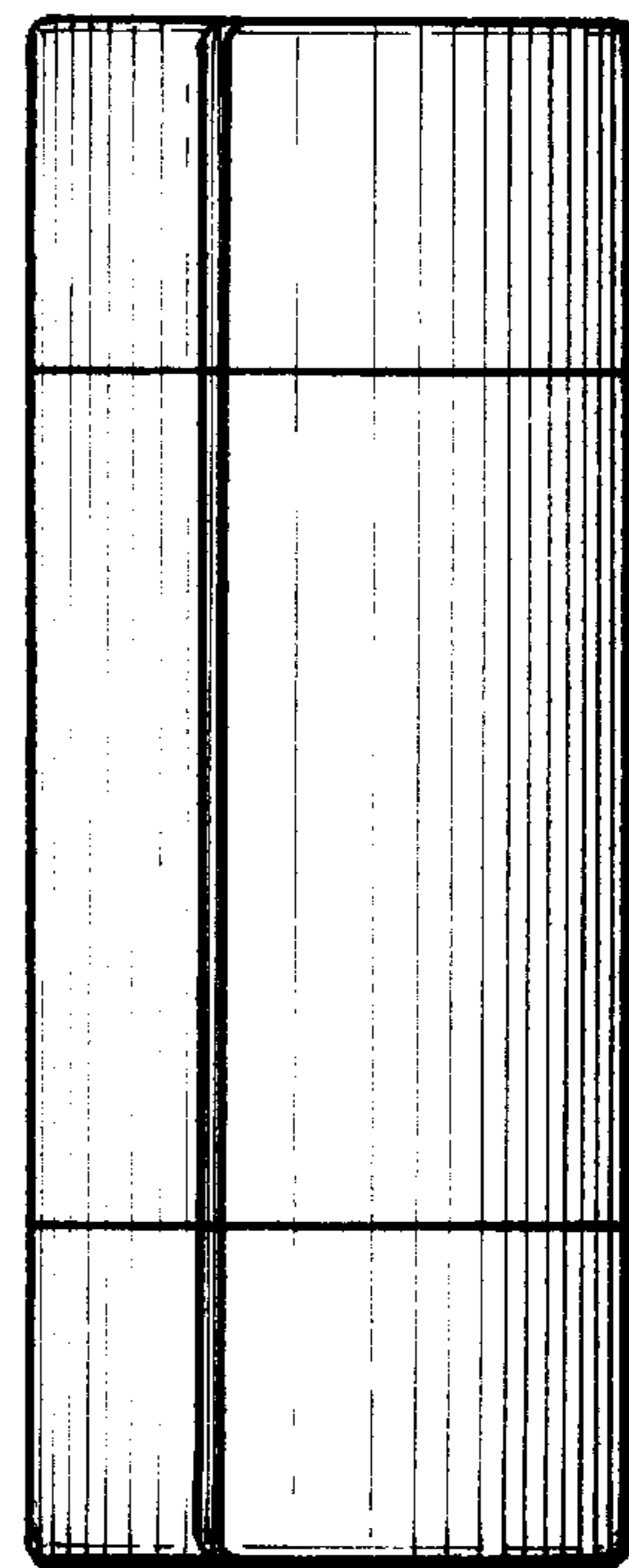


FIG. 5

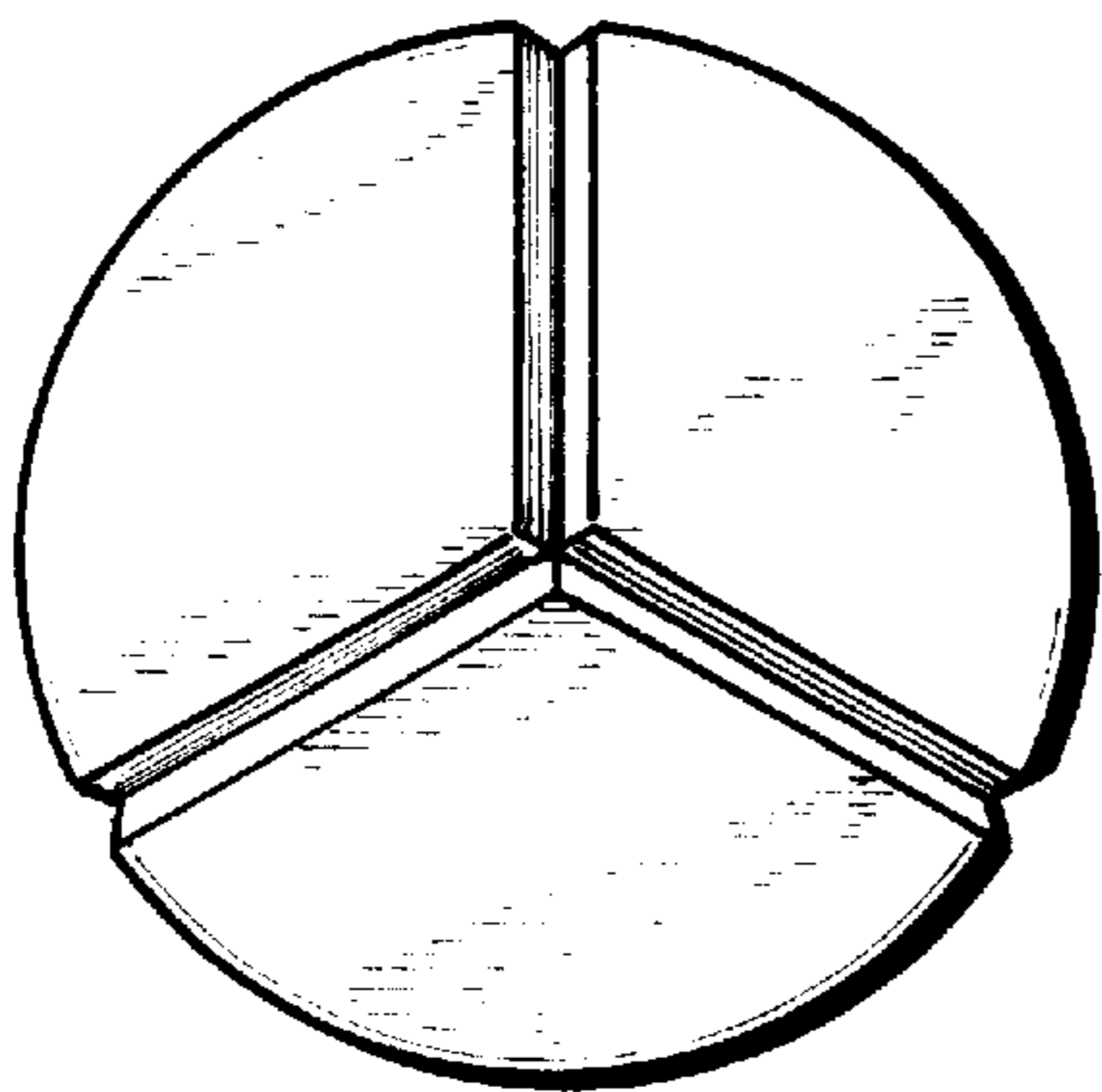


FIG. 6

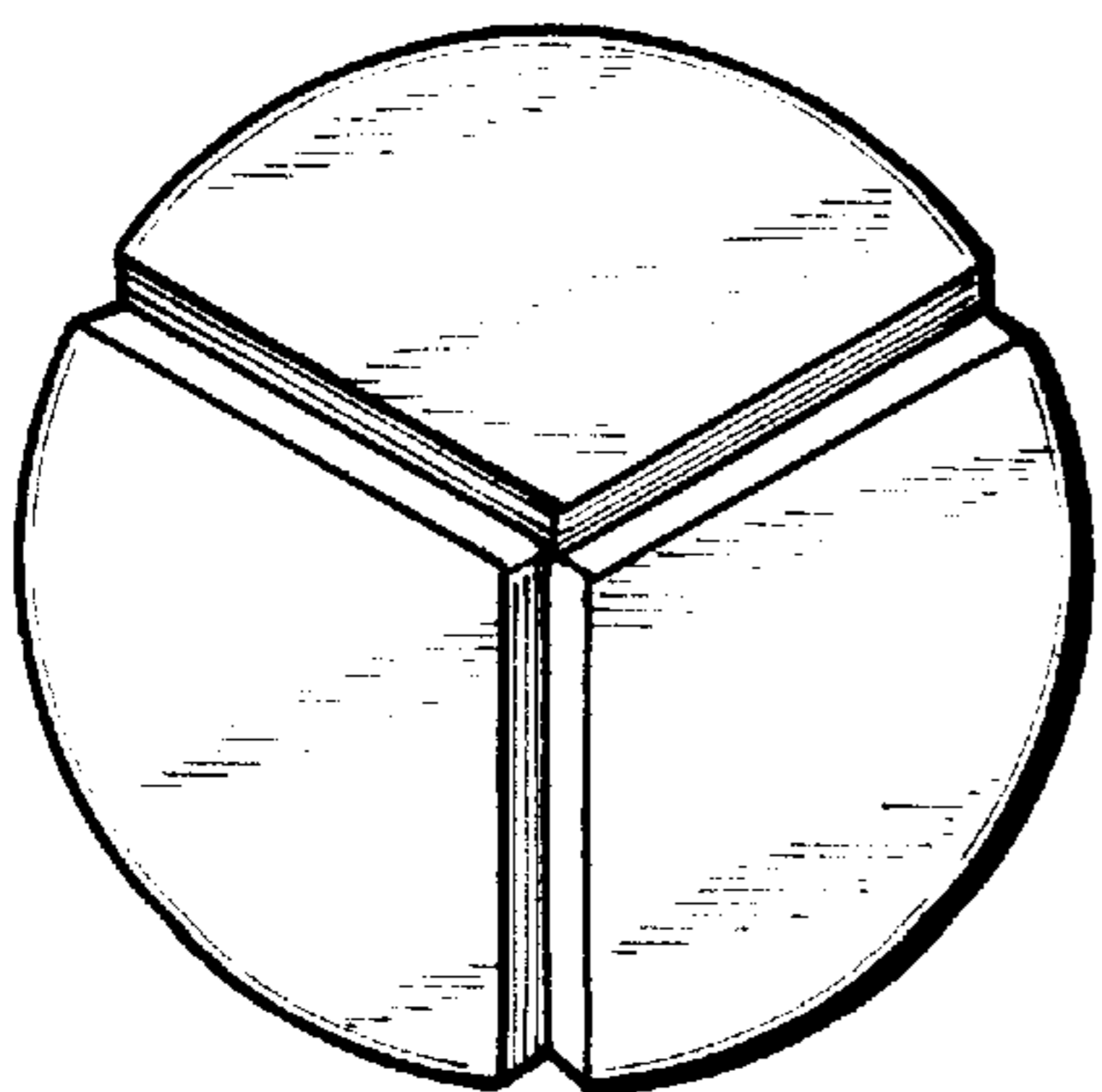


FIG. 7

