



US00D415022S

United States Patent [19]

[11] **Patent Number: Des. 415,022**

Gaudet et al.

[45] **Date of Patent: ** Oct. 12, 1999**

[54] **BOX FOR HOLDING AND DISPLAYING CANDLES**

4,081,122	3/1978	Hobson	206/521.1
4,349,571	9/1982	Davis et al.	206/499 X
4,884,966	12/1989	Wexler	431/295
5,154,600	10/1992	Sylvestre	431/253
5,660,281	8/1997	James	431/295 X

[75] Inventors: **Bryan Gaudet**, Warwick, R.I.; **William Seiler**, Northboro, Mass.

[73] Assignee: **The Yankee Candle Co., Inc.**, South Deerfield, Mass.

Primary Examiner—Prabhakar G. Deshmukh
Attorney, Agent, or Firm—Mary R. Bonzagni, Esq.; Holland & Bonzagni, P.C.

[**] Term: **14 Years**

[57] CLAIM

[21] Appl. No.: **29/083,460**

The ornamental design for “a box for holding and displaying candles”, as shown and described.

[22] Filed: **Feb. 10, 1998**

DESCRIPTION

[51] **LOC (6) Cl.** **09-03**

[52] **U.S. Cl.** **D9/341**

[58] **Field of Search** D9/414, 415, 418, D9/341, 346, 347, 337; 206/521.1, 521.15, 524, 592, 68, 419, 593; 431/289, 295, 297; D26/6, 9, 10, 13; 320/519, 516

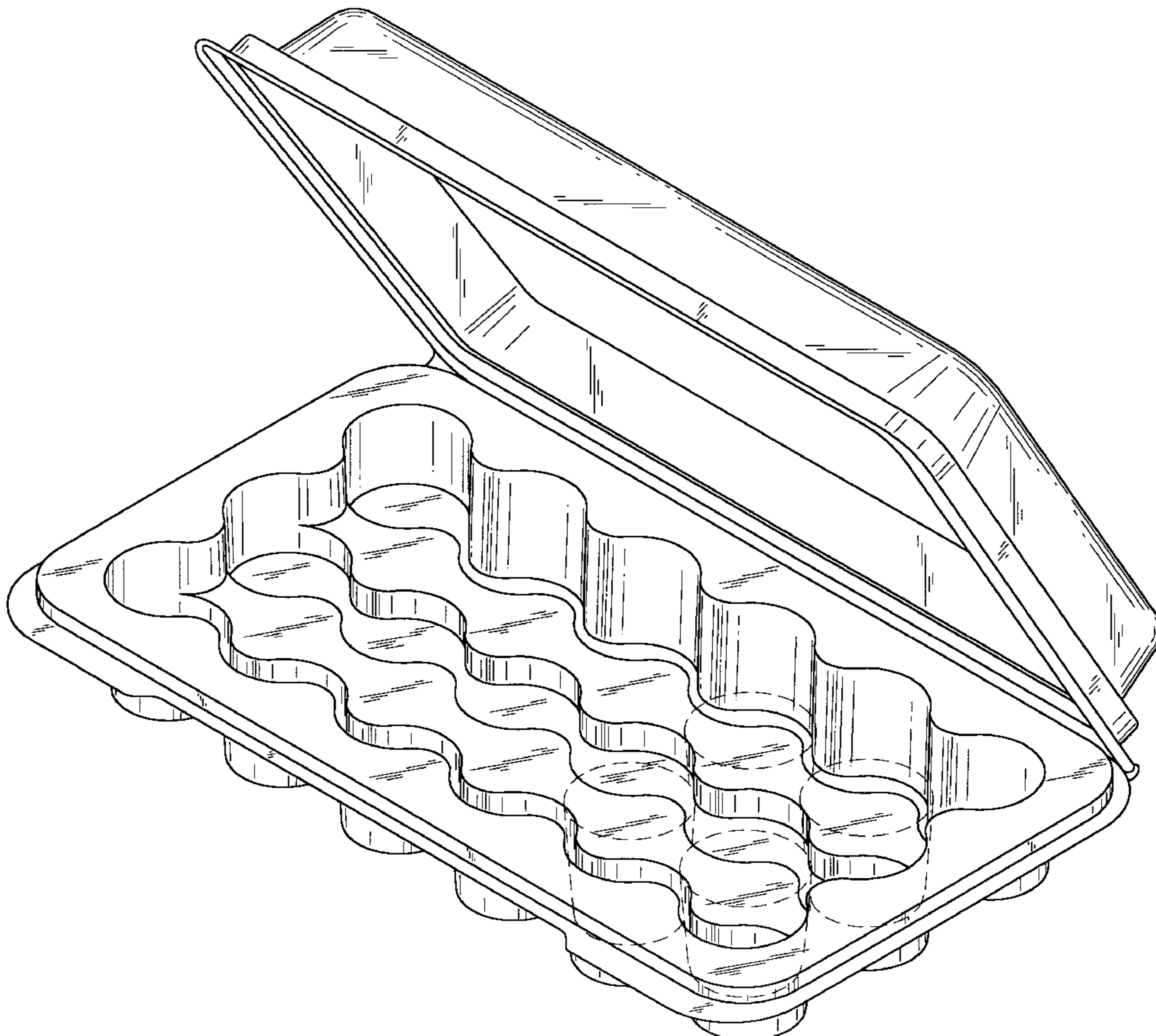
FIG. 1 is a top perspective view of a box for holding and displaying candles, showing my new design;
FIG. 2 is a top perspective view of the box of FIG. 1 in an open position;
FIG. 3 is a top plan view of the box of FIG. 1;
FIG. 4 is a front elevational view of the box of FIG. 1;
FIG. 5 is a rear elevational view of the box of FIG. 1;
FIG. 6 is a bottom plan view of the box of FIG. 1; and,
FIG. 7 is a right side elevational view of the box of FIG. 1; the left side elevational view being a mirror image thereof.
The broken line showing of candles is for illustrative purpose only and forms no part of the claim.

[56] References Cited

U.S. PATENT DOCUMENTS

D. 239,817	5/1976	Kellogg	D9/341
D. 264,244	5/1982	Olsen	D9/341 X
D. 358,088	5/1995	Reid	D9/341
2,078,488	4/1937	Farnham	206/521.15
3,392,902	7/1968	Donovan	.	
3,536,251	10/1970	Edwards	.	

1 Claim, 4 Drawing Sheets



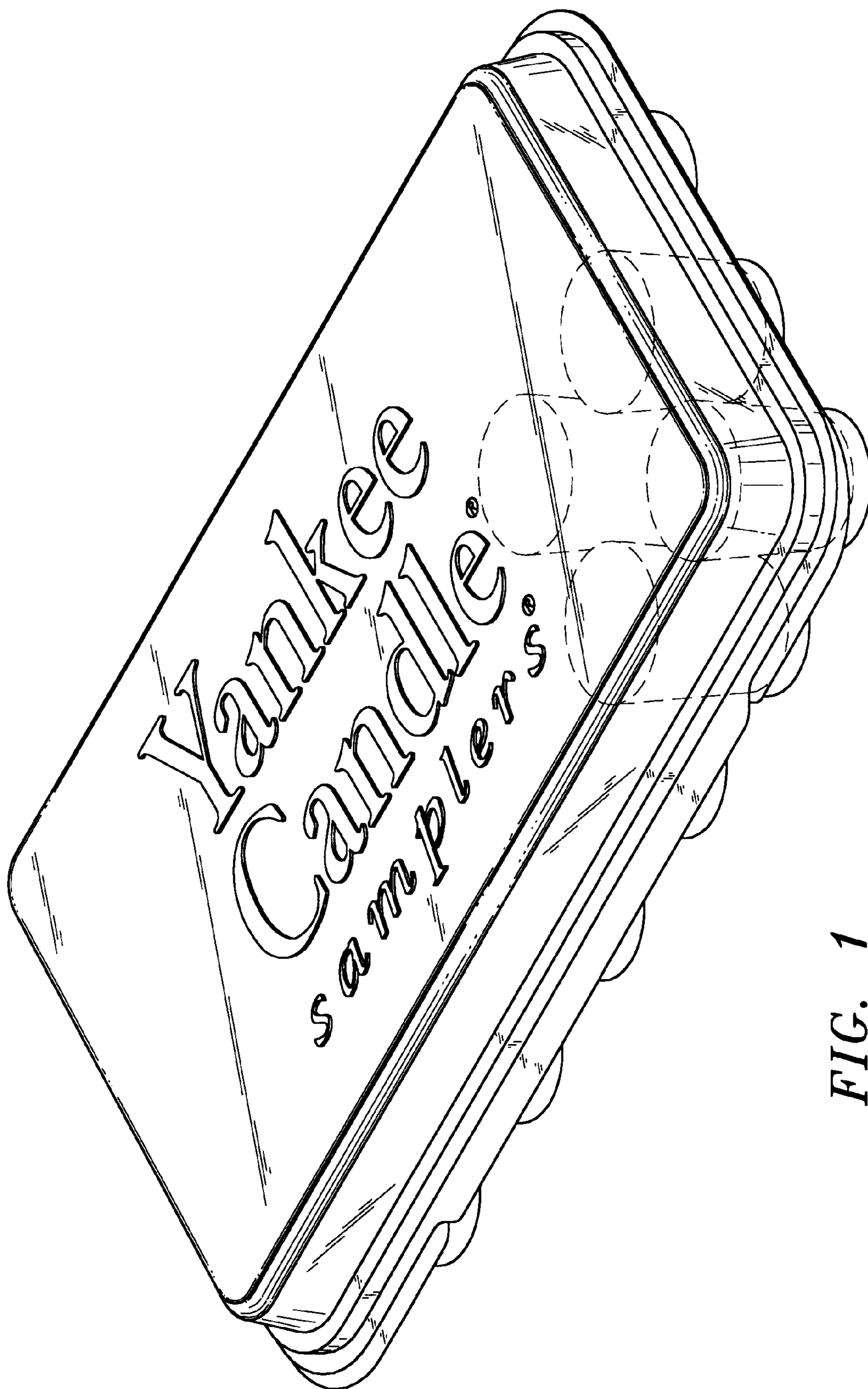


FIG. 1

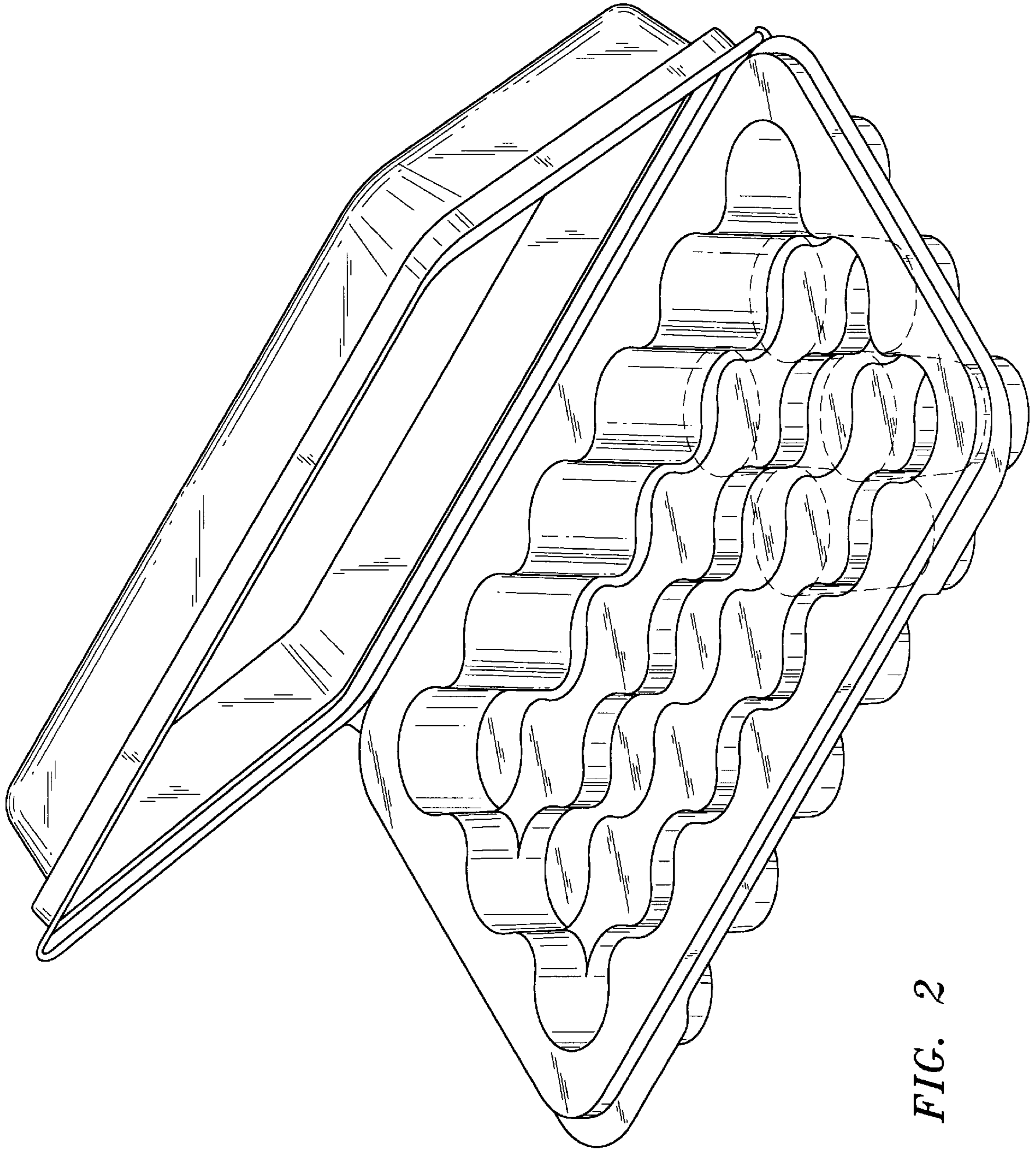


FIG. 2



FIG. 3

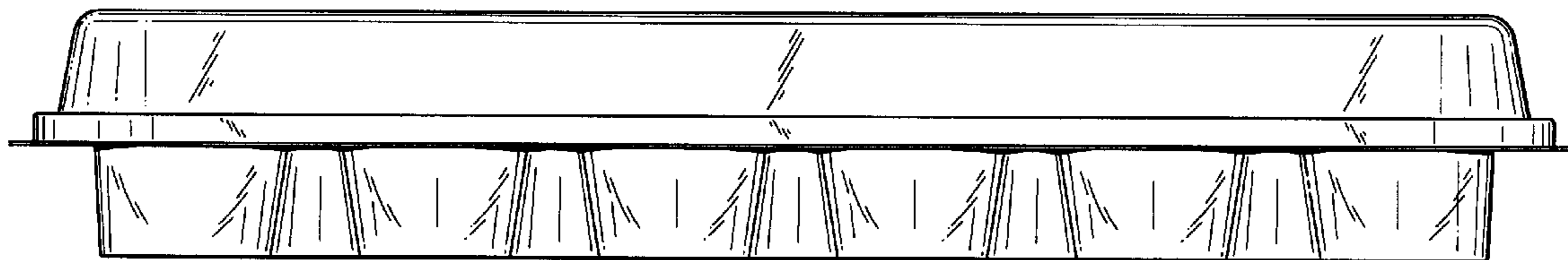


FIG. 4

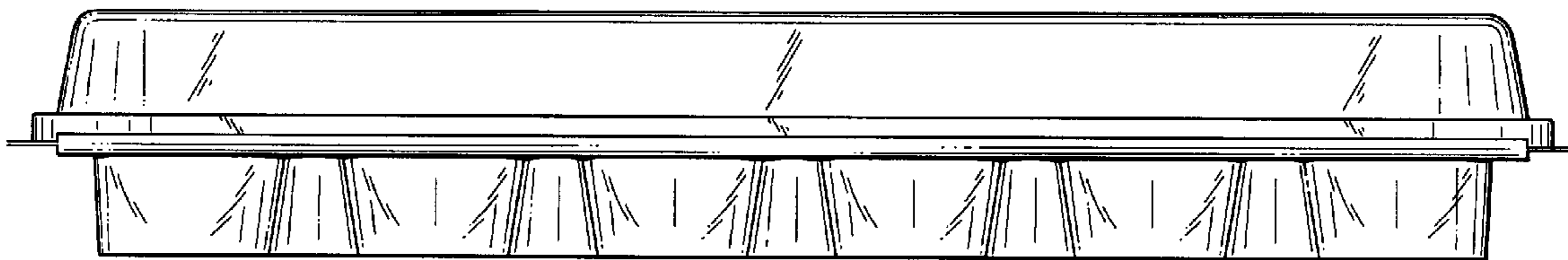


FIG. 5

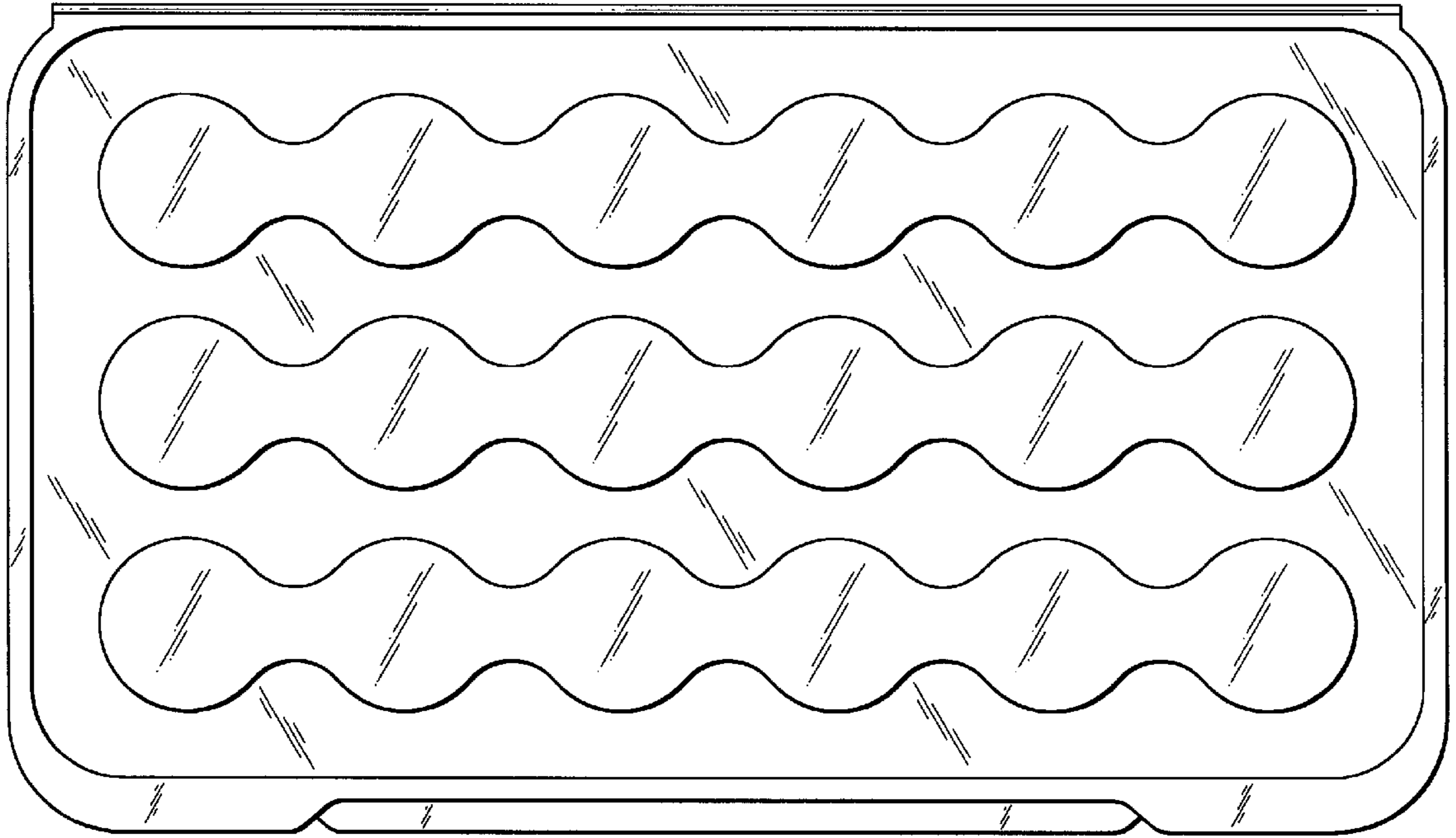


FIG. 6

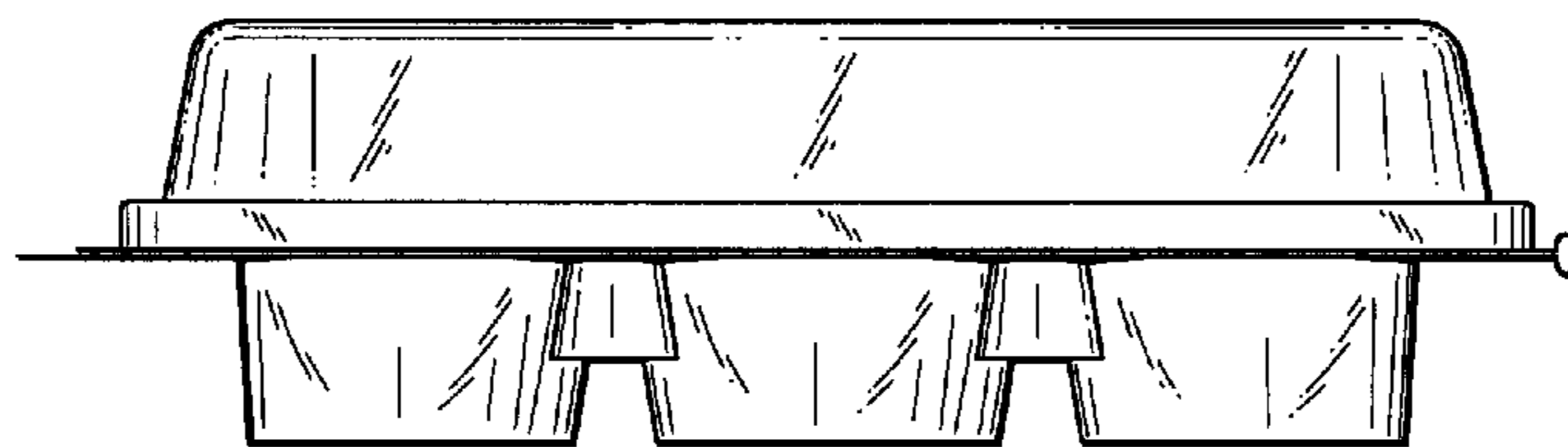


FIG. 7