



US00D415017S

**United States Patent** [19]  
**Lo**

[11] **Patent Number: Des. 415,017**

[45] **Date of Patent: \*\* Oct. 12, 1999**

[54] **CLAMP FOR ATTACHING ARTICLES TO A POLE**

5,405,113 4/1995 Jaw .  
5,816,736 10/1998 Kroulik ..... 248/229.1

[75] Inventor: **David Lo**, San Chung, Taiwan

*Primary Examiner*—B. J. Bullock  
*Attorney, Agent, or Firm*—Hoffmann & Baron, LLP;  
Francis E. Marino

[73] Assignee: **Holmes Products, Corp.**, Milford, Mass.

[57] **CLAIM**

[\*\*] Term: **14 Years**

The ornamental design for a clamp for attaching articles to a pole, as shown and described.

[21] Appl. No.: **29/078,610**

[22] Filed: **Aug. 14, 1997**

**DESCRIPTION**

[51] **LOC (6) Cl.** ..... **08-08**

[52] **U.S. Cl.** ..... **D8/396**

[58] **Field of Search** ..... D8/396, 72; 248/229.1, 248/229.24, 230.1, 230.5, 316.1

FIG. 1 is a top perspective view of a clamp for attaching articles to a pole showing my new design;

FIG. 2 is a top plan view thereof;

FIG. 3 is a bottom plan view thereof;

FIG. 4 is a right side elevation view thereof;

FIG. 5 is a front side elevation view thereof;

FIG. 6 is a left side elevation view thereof; and,

FIG. 7 is a rear side elevation view thereof opposite to that shown in FIG. 5.

[56] **References Cited**

**U.S. PATENT DOCUMENTS**

- 1,069,160 8/1913 Meltz .
- 3,505,761 4/1970 Prieur .
- 4,957,318 9/1990 Blatt .

**1 Claim, 6 Drawing Sheets**

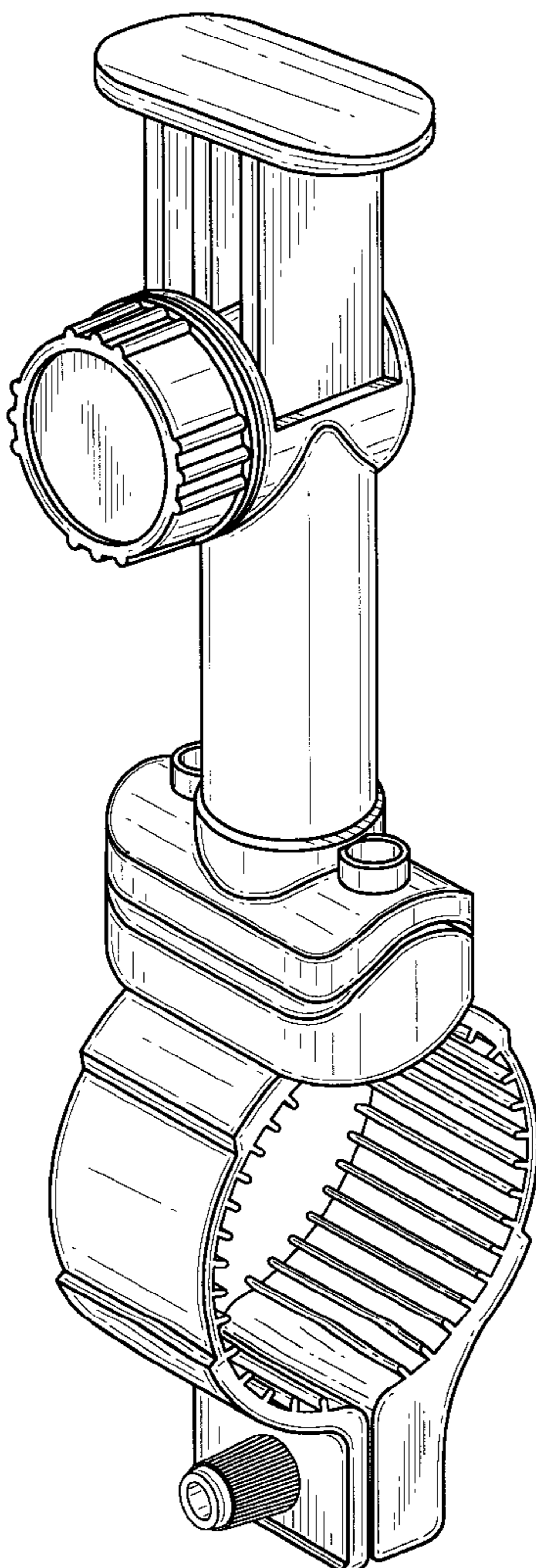


FIG-1

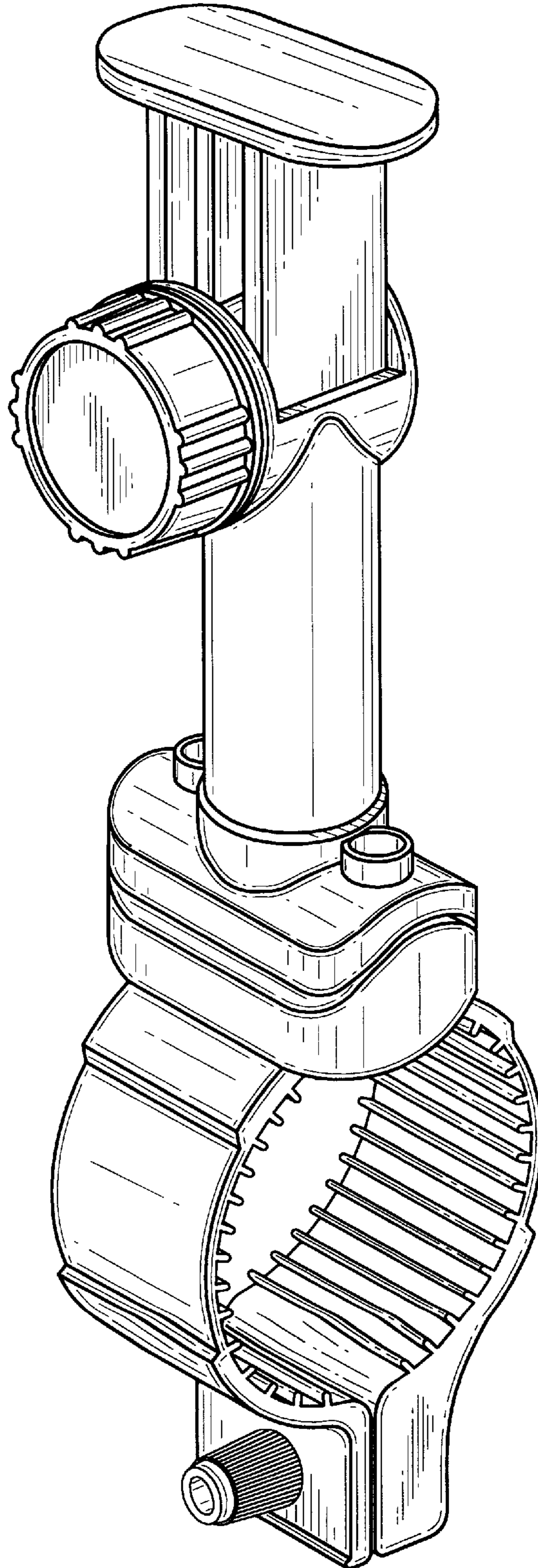


FIG-2

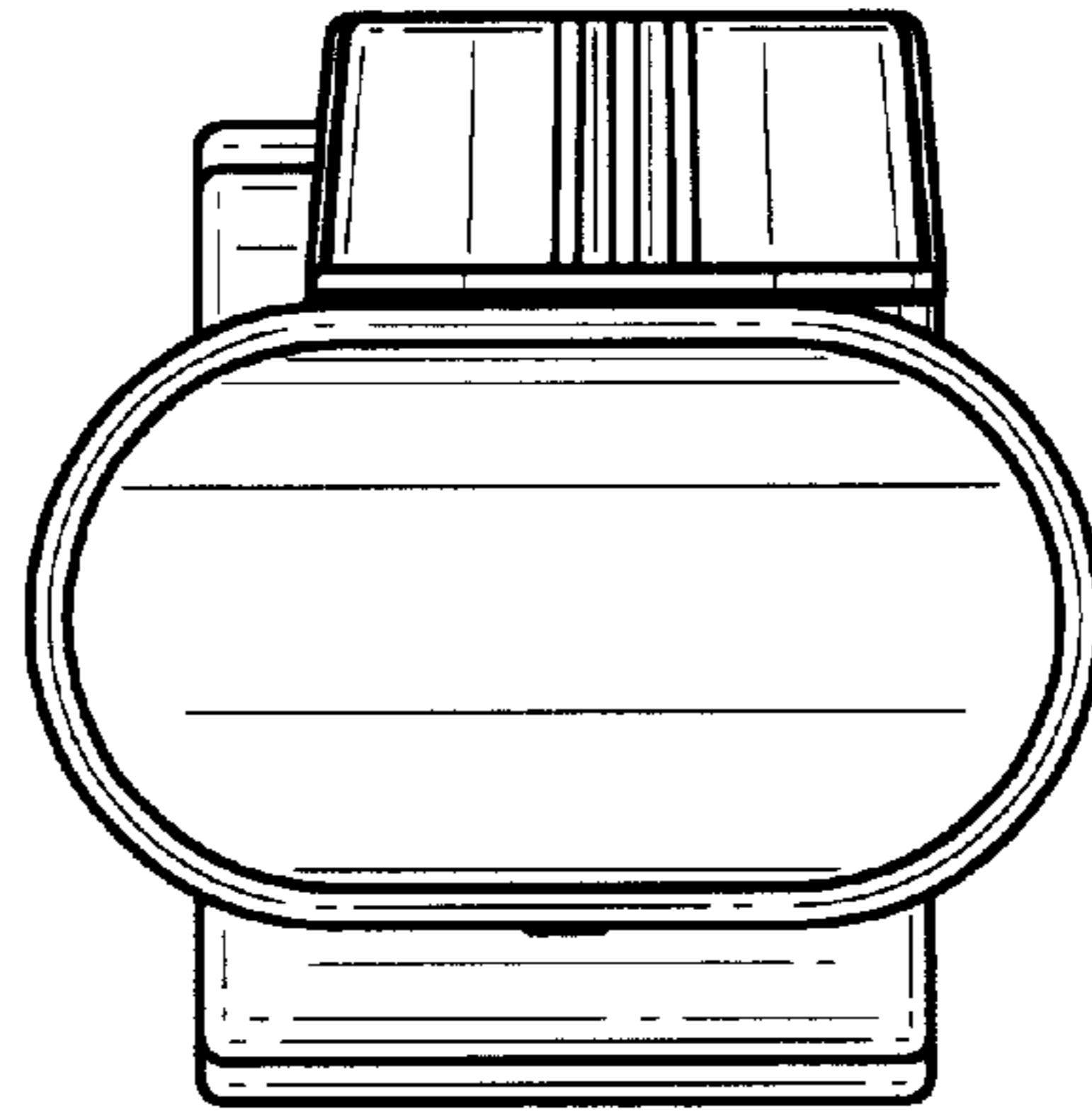
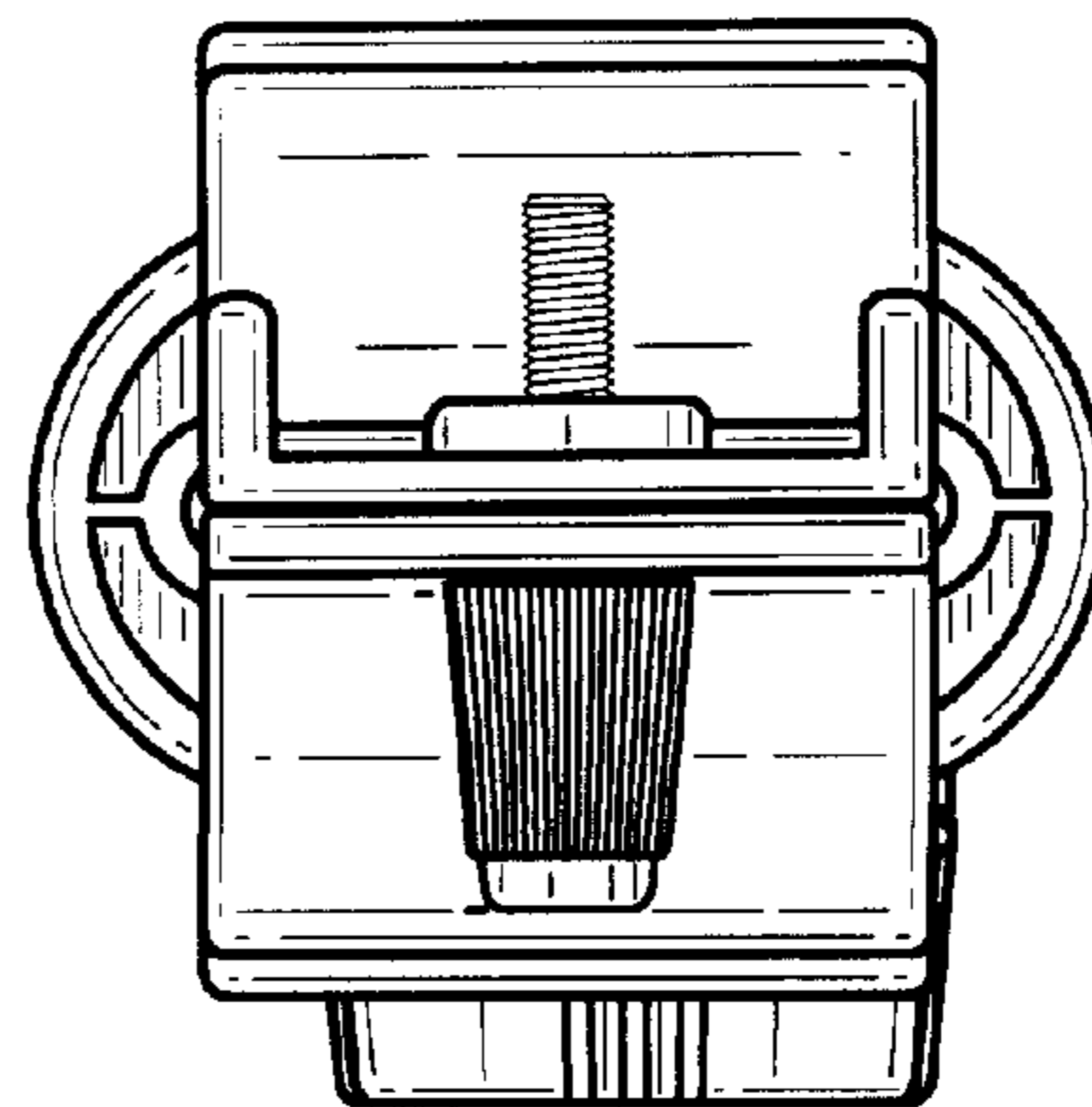


FIG-3



# FIG-4

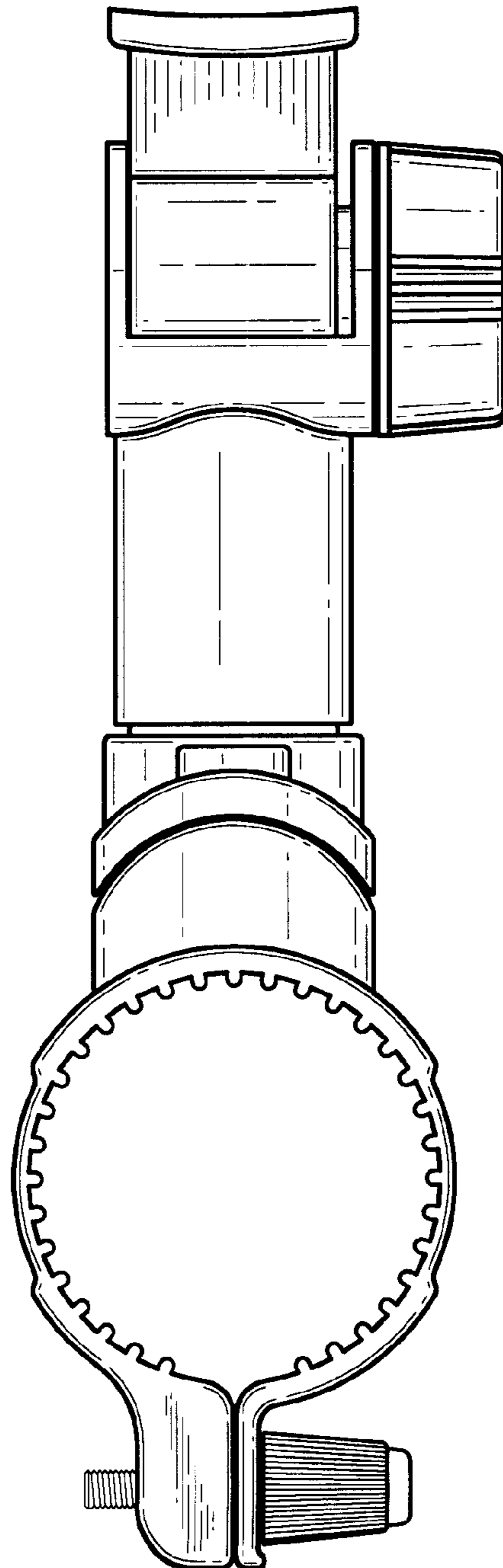
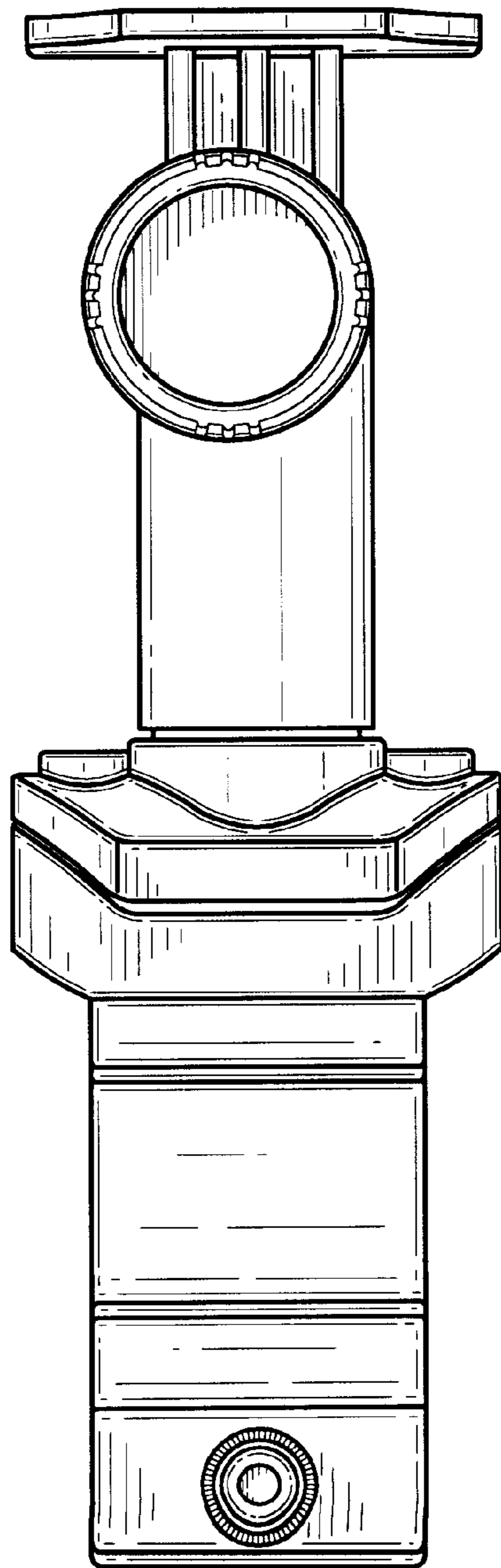


FIG-5



# FIG-6

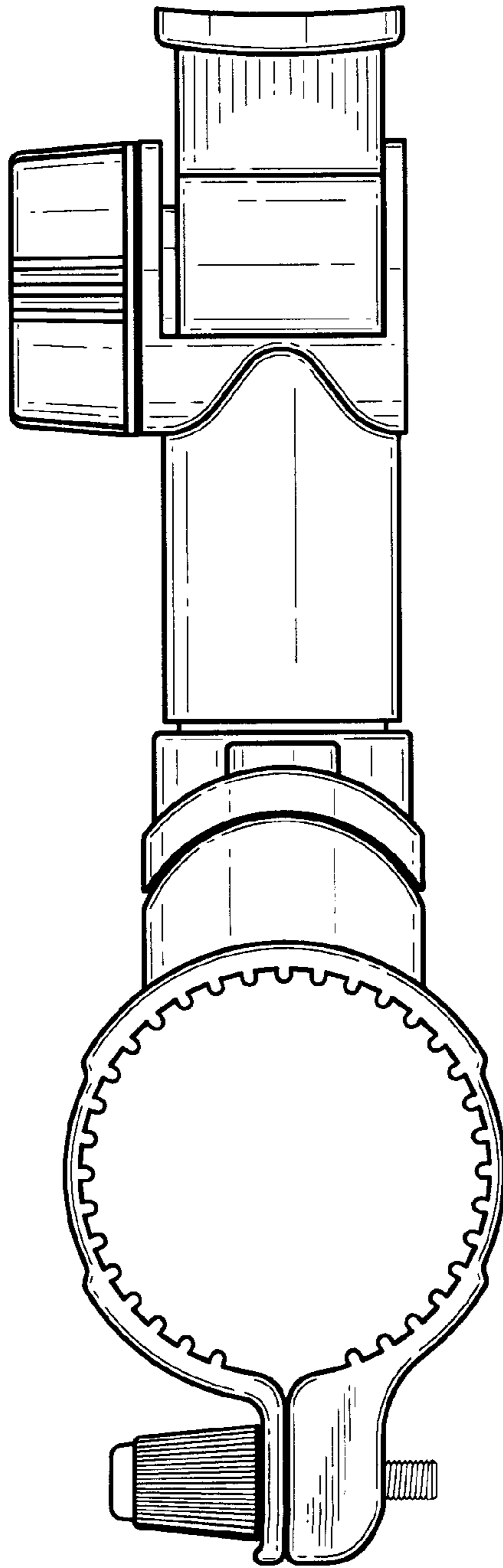




FIG-7

