



US00D415016S

**United States Patent** [19]  
**Murguia**

[11] **Patent Number: Des. 415,016**

[45] **Date of Patent: \*\* Oct. 12, 1999**

[54] **SCREW**

[76] Inventor: **Jorge C. Murguia**, 526 W. Elk Ave.,  
Glendale, Calif. 91204

[\*\*] Term: **14 Years**

[21] Appl. No.: **29/079,504**

[22] Filed: **Nov. 17, 1997**

[51] **LOC (6) Cl.** ..... **08-08**

[52] **U.S. Cl.** ..... **D8/387**

[58] **Field of Search** ..... D8/387; 411/403,  
411/378, 411, 166, 178, 184, 188, 911,  
427

Machine Design, p. 105, Inserts, Item A at left of page, Mar. 1963.

Machine Design, p. 311, fasteners circled item at top of page, Mar. 1963.

Central fastening catalog, p. 5, nut head located at top of page, Jul. 1948.

*Primary Examiner*—Holly Baynham  
*Attorney, Agent, or Firm*—Goldstein & Canino

[57] **CLAIM**

The ornamental design for a screw, as shown and described.

**DESCRIPTION**

FIG. 1 is a diagrammatic perspective view of the screw.

FIG. 2 is a front elevational view thereof, the rear elevational view being a mirror image of the front view.

FIG. 3 is a right side elevational view thereof, the left side elevational view being a mirror image of the right side view.

FIG. 4 is a top plan view of the screw; and,

FIG. 5 is a bottom plan view thereof.

[56] **References Cited**

**U.S. PATENT DOCUMENTS**

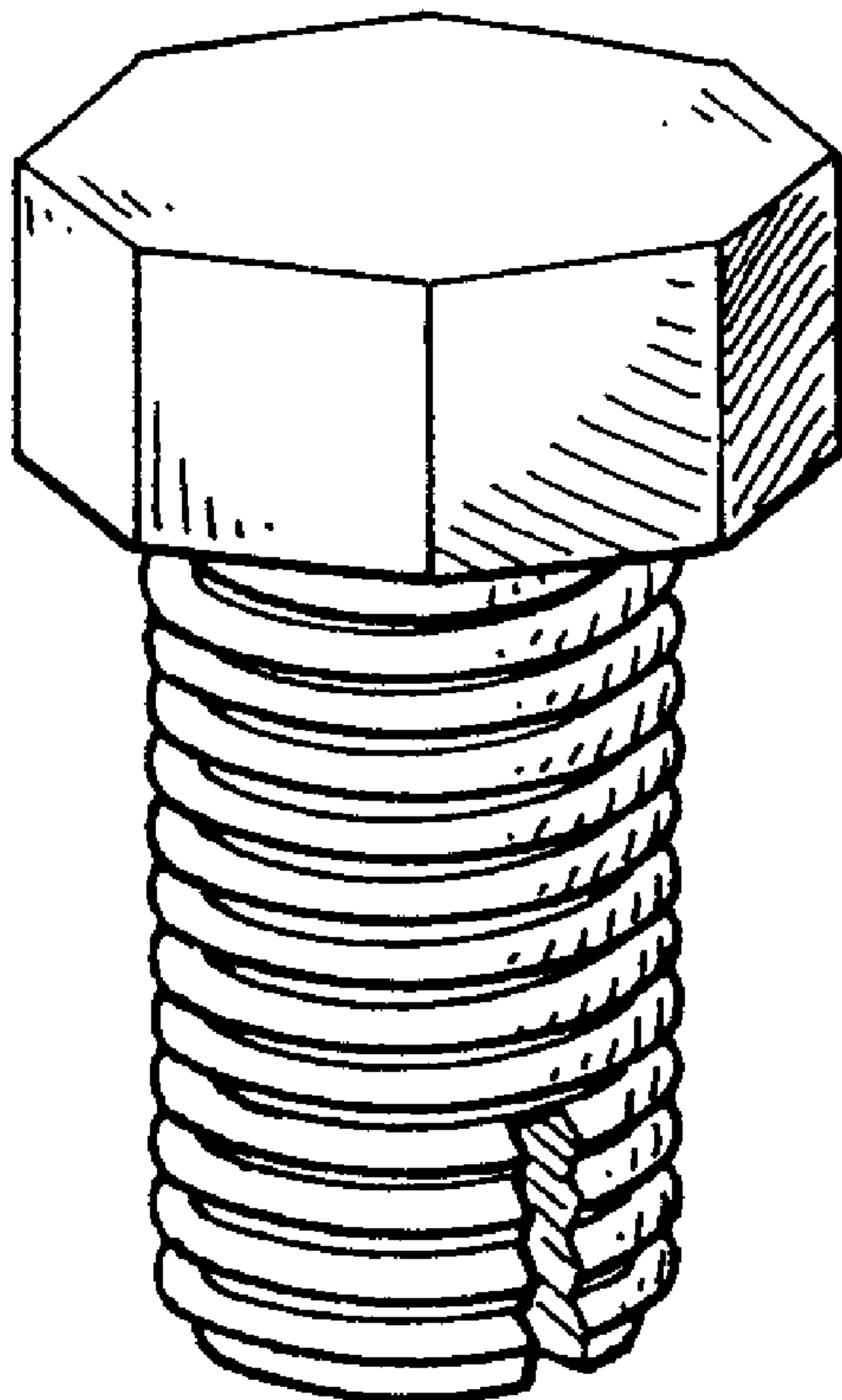
D. 347,382	5/1994	Carruthers	.....	D8/382
4,013,071	3/1977	Rosenburg	.....	606/73
4,044,647	8/1977	Takahashi	.....	85/72
4,411,570	10/1983	Juric	.....	411/271
5,244,323	9/1993	Tucchio	.....	411/271
5,333,977	8/1994	Sugawara	.....	411/271

**OTHER PUBLICATIONS**

Central Screw Company, p. 90, screw , item 15 located in middle of page, Jul. 1948.

Machine Design, p. 53, screw, item BG at bottom of page, Mar. 1963.

**1 Claim, 2 Drawing Sheets**



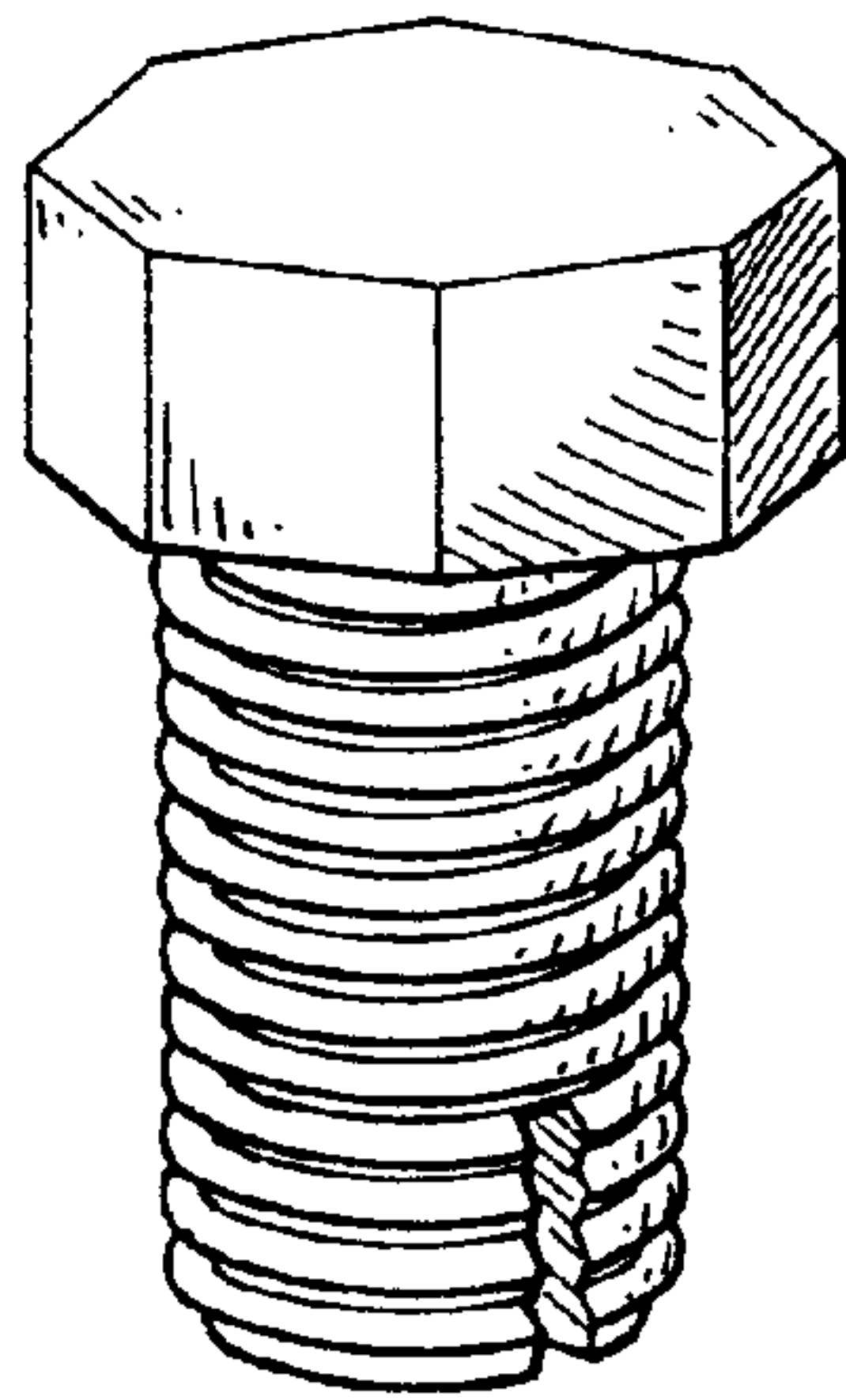


FIG. 1

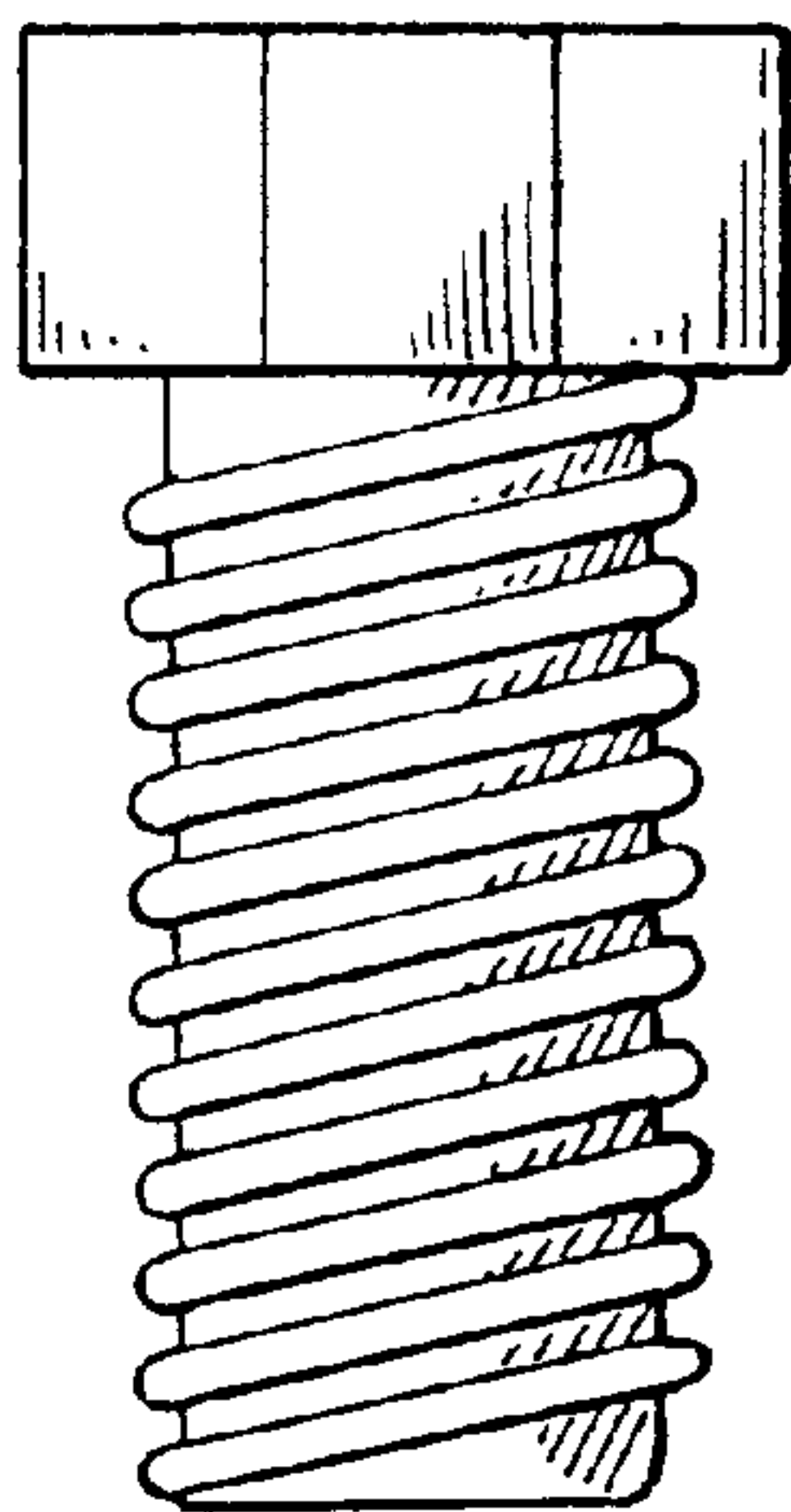


FIG. 2

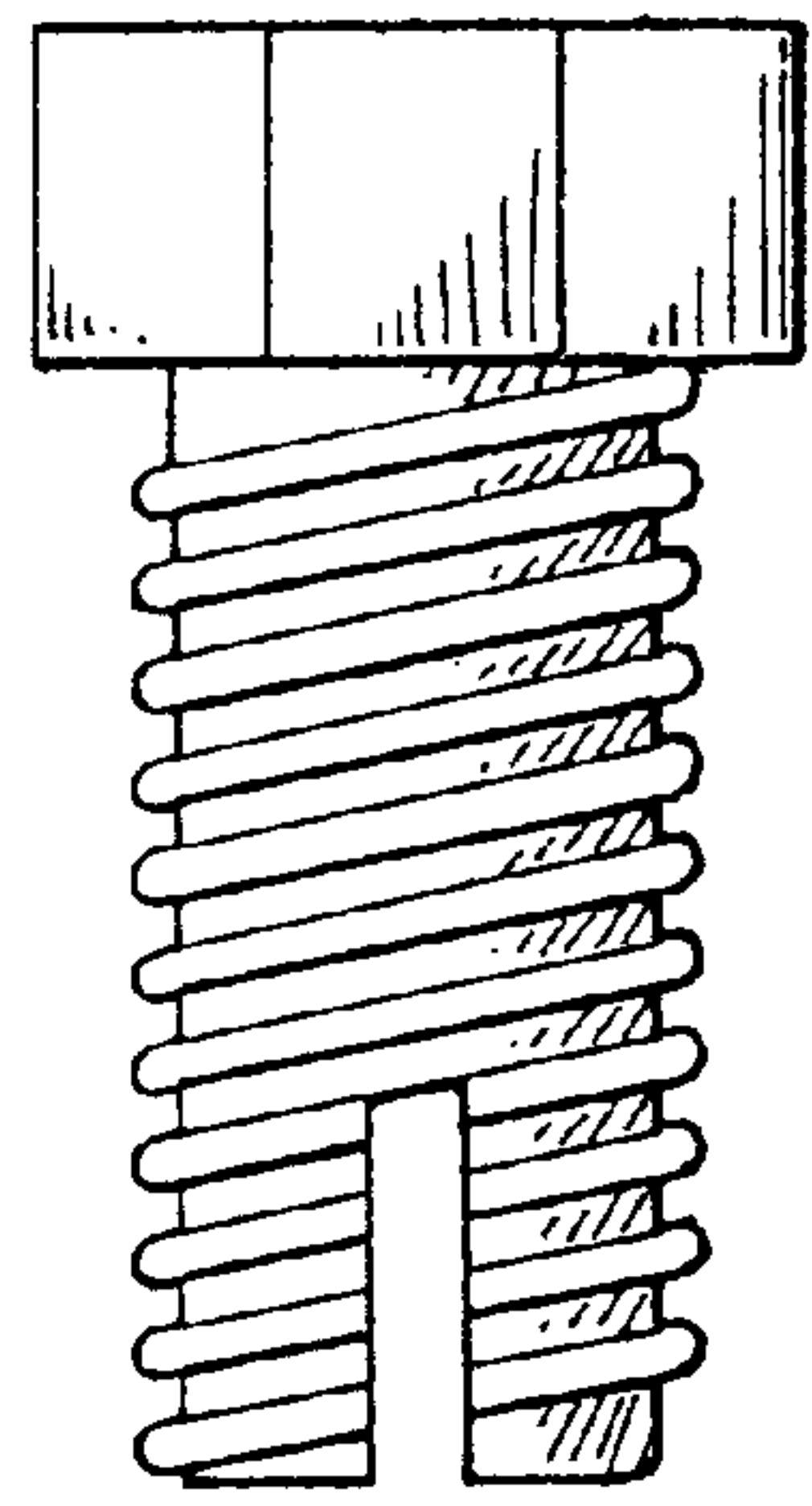


FIG. 3

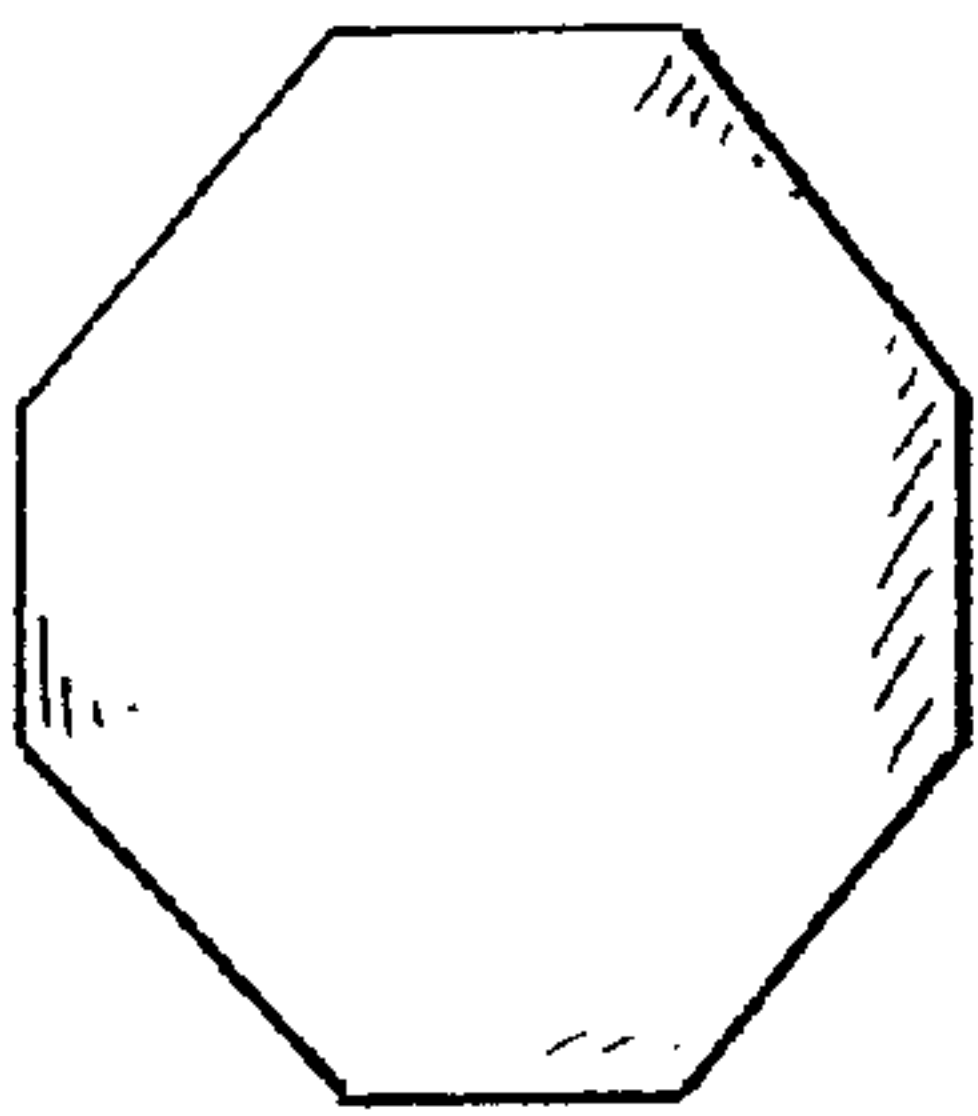


FIG. 4

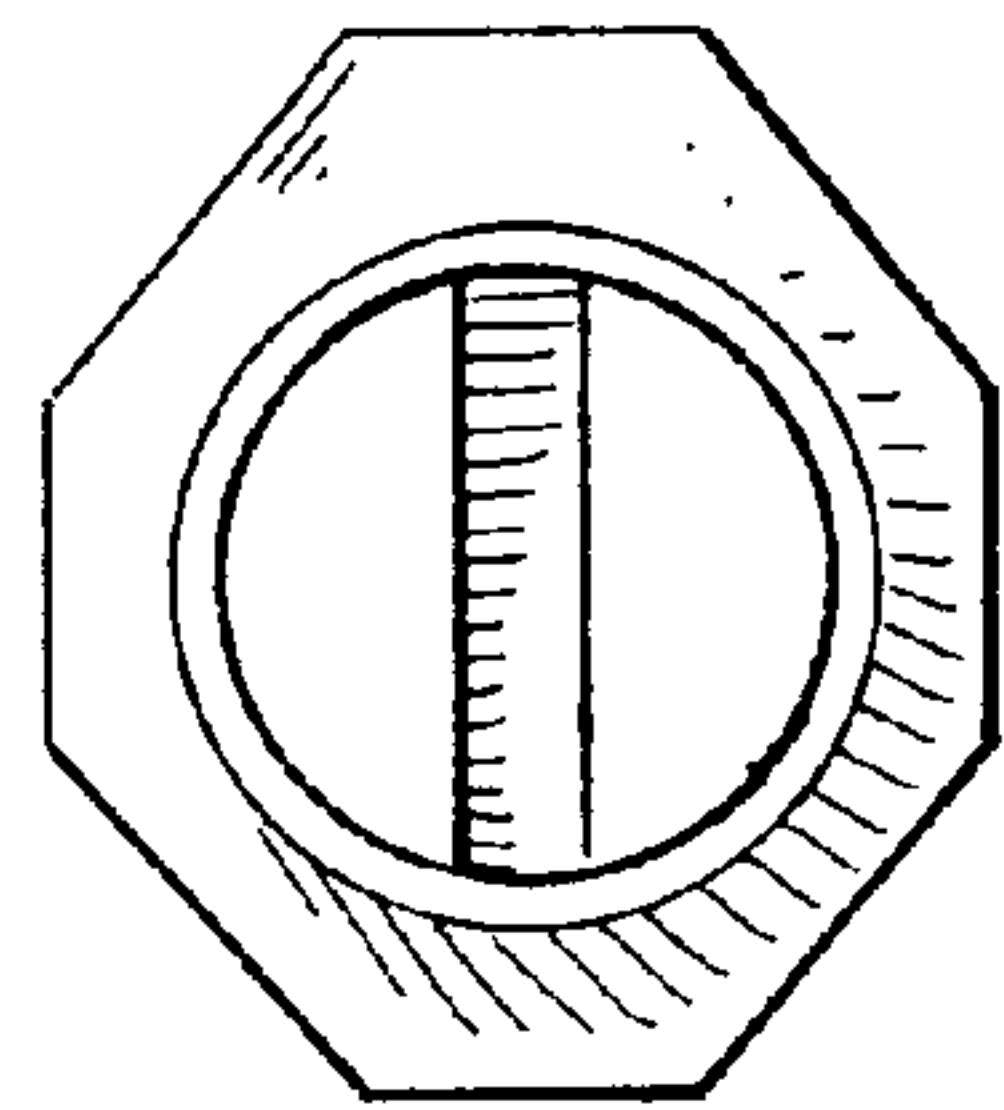


FIG. 5