



US00D415014S

**United States Patent** [19]  
**Bruton**

[11] **Patent Number: Des. 415,014**

[45] **Date of Patent: \*\* Oct. 12, 1999**

[54] **SHOWER CURTAIN ROD**

[76] Inventor: **Beatrice Bruton**, 1168 Vine St., Paris, Ky. 40361

[\*\*] Term: **14 Years**

[21] Appl. No.: **29/097,908**

[22] Filed: **Dec. 17, 1998**

[51] **LOC (6) Cl.** ..... **08-05**

[52] **U.S. Cl.** ..... **D8/376; D8/363**

[58] **Field of Search** ..... D8/363, 376; D6/549, D6/546; 160/330, 291; 248/262; 4/610

[56] **References Cited**

**U.S. PATENT DOCUMENTS**

D. 79,770	10/1929	Whincap .....	D8/376
D. 345,098	3/1994	Ohanesian .....	D8/376
4,754,504	7/1988	Cellini .....	4/610
5,022,104	6/1991	Miller .....	160/330 X

*Primary Examiner*—Holly Baynham

[57] **CLAIM**

The ornamental design for a shower curtain rod, as shown.

**DESCRIPTION**

FIG. 1 is a top plan view of the shower curtain rod of the present invention;

FIG. 2 is a bottom plan view of the shower curtain rod of FIG. 1;

FIG. 3 is a right side elevational view of the shower curtain rod of FIG. 1;

FIG. 4 is a left side elevational view of the shower curtain rod of FIG. 1;

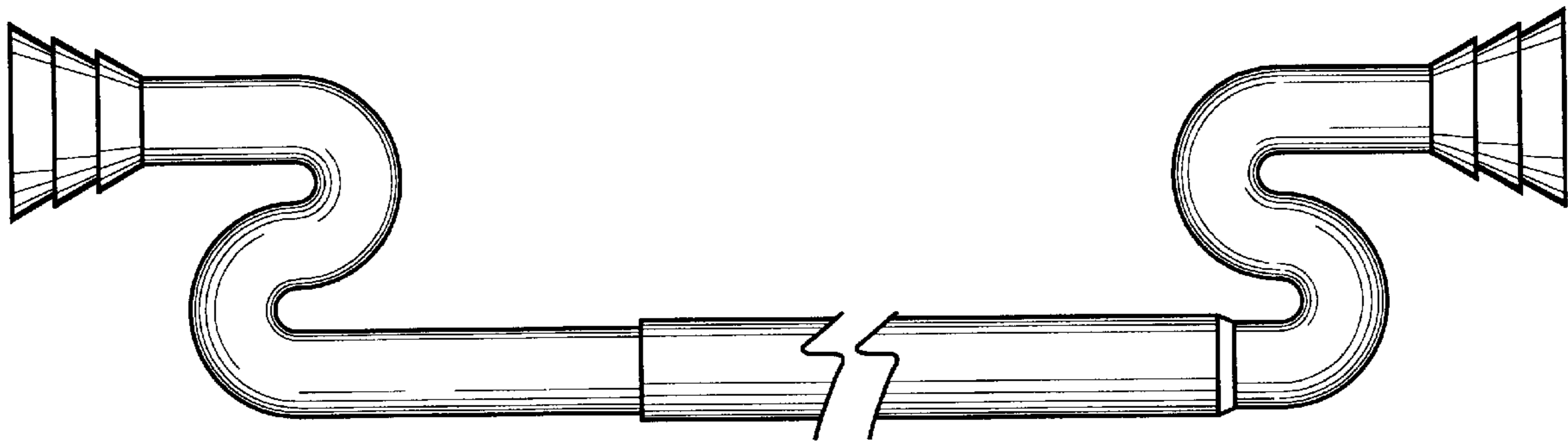
FIG. 5 is a front elevational view of the shower curtain rod of FIG. 1; and,

FIG. 6 is a back elevational view of the shower curtain rod of FIG. 1.

The curtain rod is shown broken away to indicate indeterminate length.

The contrasting shading shown on FIGS. 3 and 4 represents an adhering surface.

**1 Claim, 2 Drawing Sheets**



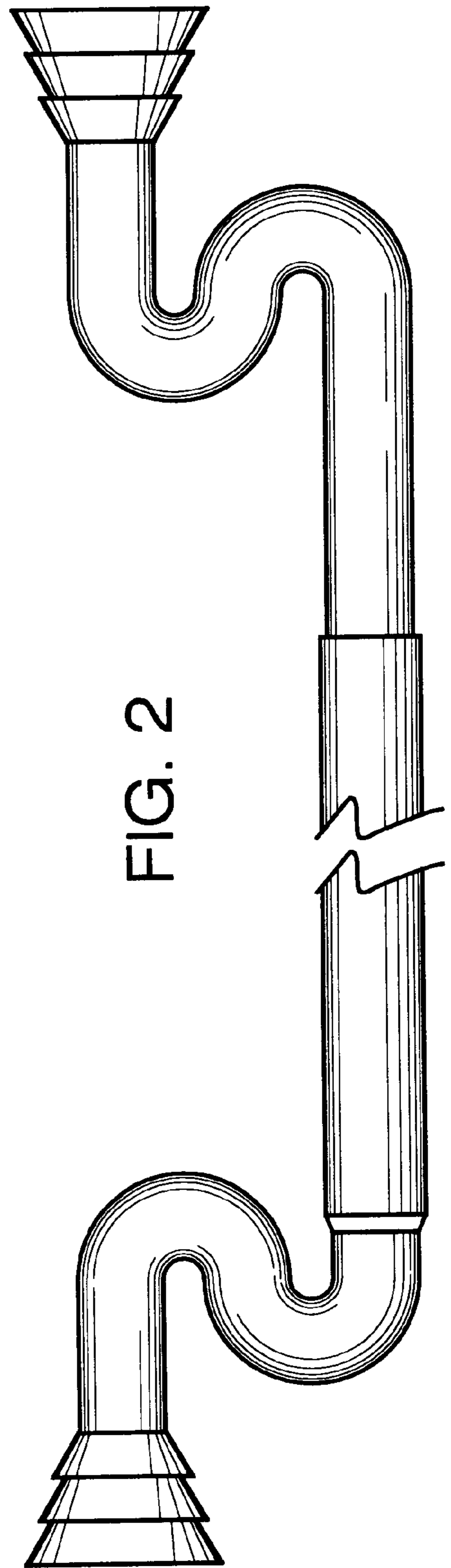
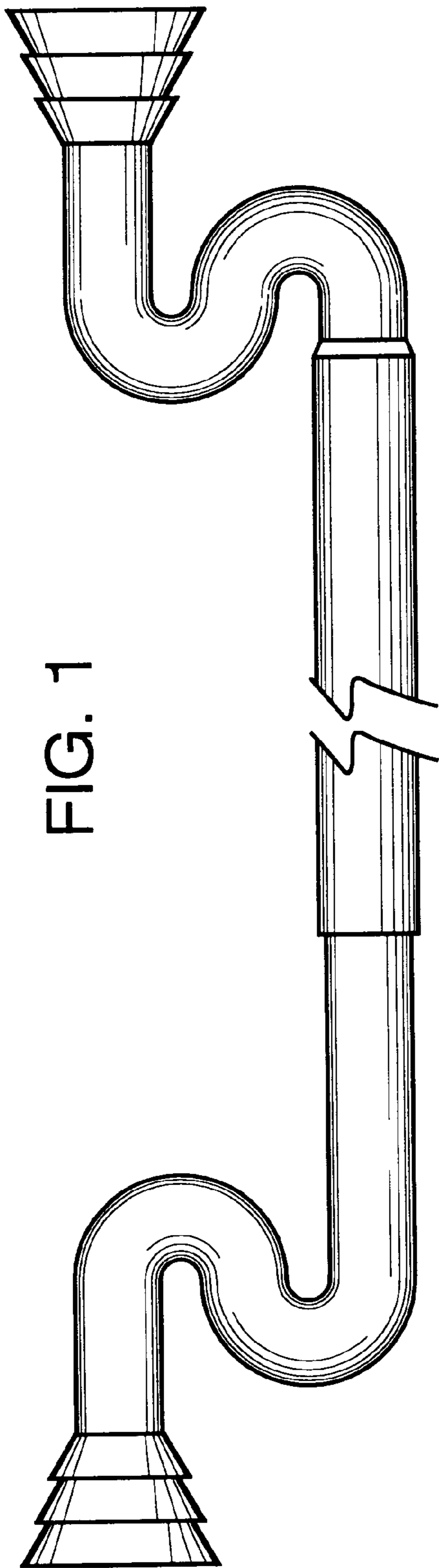


FIG. 4

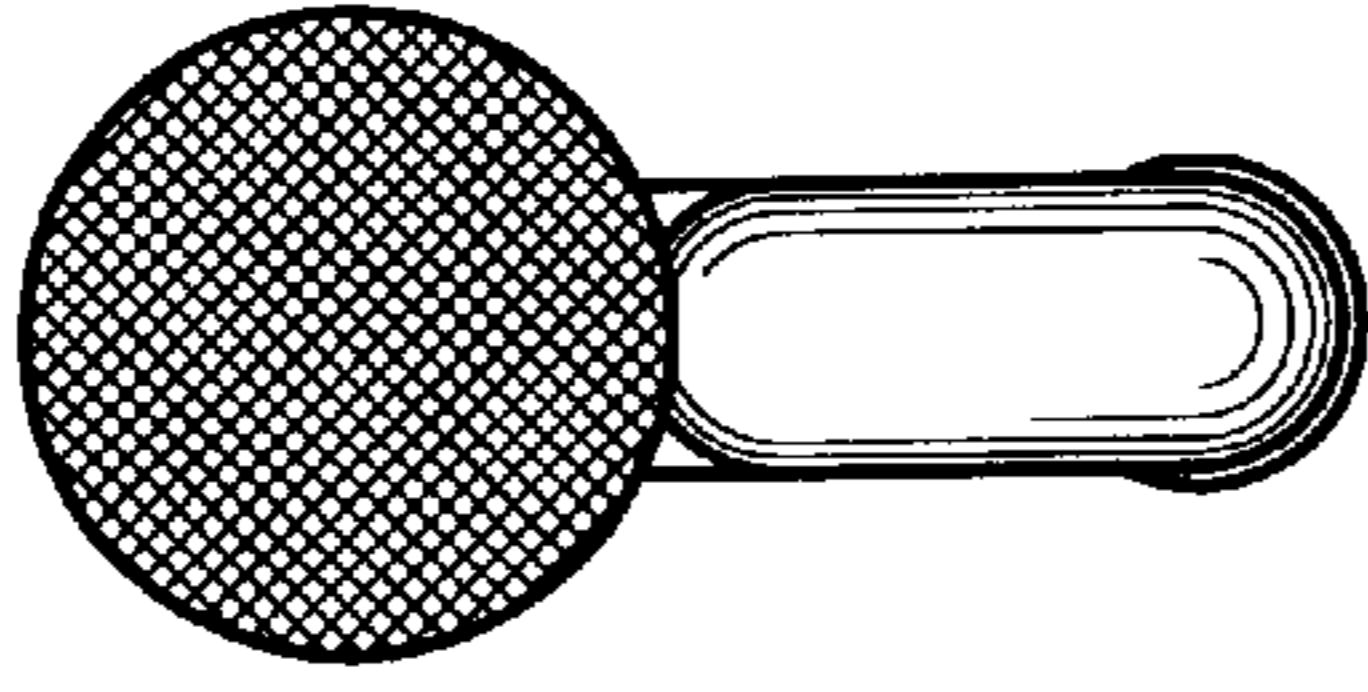


FIG. 3

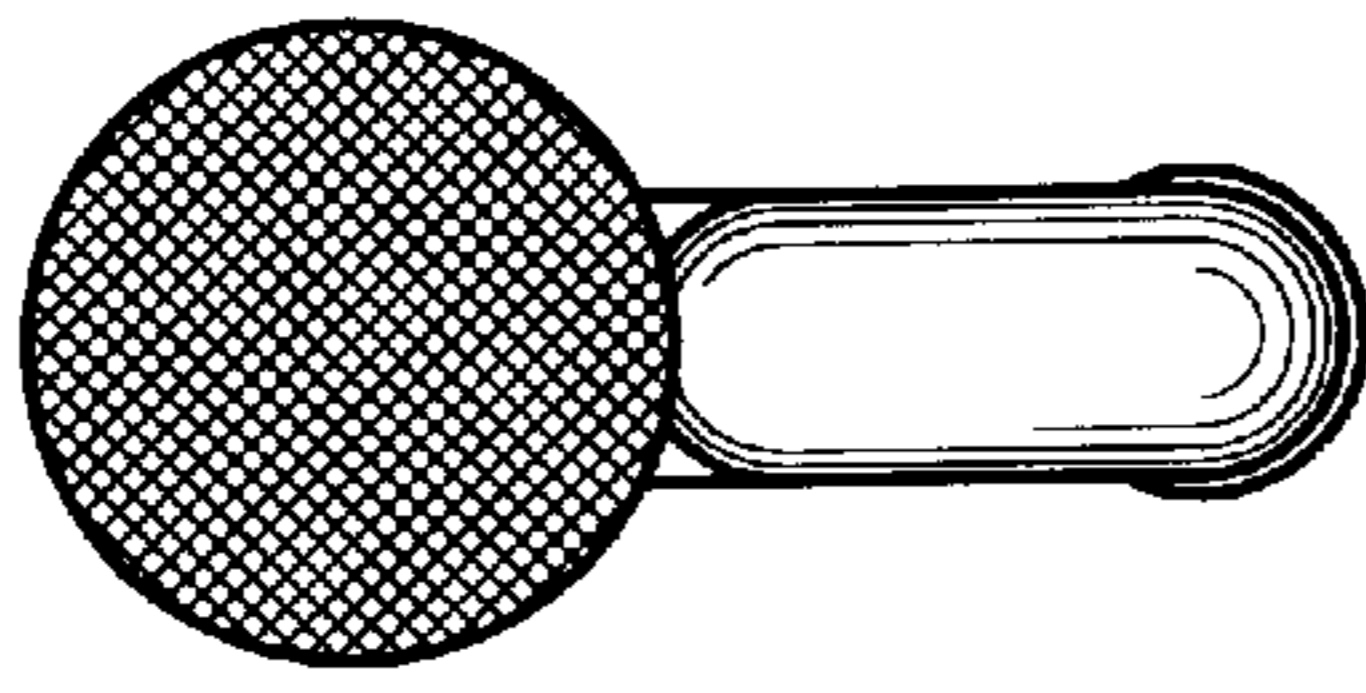


FIG. 5

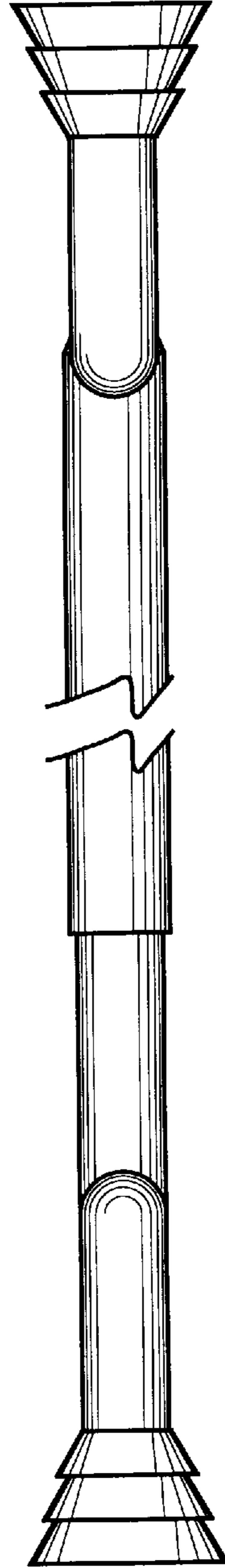


FIG. 6

