



US00D415012S

**United States Patent** [19]  
**Bernstein**

[11] **Patent Number: Des. 415,012**

[45] **Date of Patent: \*\* Oct. 12, 1999**

[54] **FASTENING AND LOCKING BRACKET**

4,724,584 2/1988 Kasai ..... 24/115 G  
5,067,213 11/1991 Ragsdale et al. .... 24/115 G

[75] Inventor: **Patrik L. T. Bernstein**, Torekov,  
Sweden

*Primary Examiner*—Holly Baynham  
*Attorney, Agent, or Firm*—Kelly Bauersfeld, Lowry &  
Kelley, LLP

[73] Assignee: **Spotlight Enterprises Incorporated**,  
Woodland Hills, Calif.

[\*\*] Term: **14 Years**

[57] **CLAIM**

[21] Appl. No.: **29/063,740**

The ornamental design for a fastening and locking bracket,  
as shown.

[22] Filed: **Dec. 13, 1996**

**DESCRIPTION**

[30] **Foreign Application Priority Data**

Jun. 27, 1996 [SE] Sweden ..... 96-1449

FIG. 1 is a top, rear and side perspective view of a fastening  
and locking bracket embodying my new design;  
FIG. 2 is a right side elevational view thereof, the left side  
elevational view being a mirror image thereof;  
FIG. 3 is a front elevational view thereof;  
FIG. 4 is a rear elevational view thereof;  
FIG. 5 is a top plan view thereof; and,  
FIG. 6 is a bottom plan view thereof.

[51] **LOC (6) Cl.** ..... **08-05**

[52] **U.S. Cl.** ..... **D8/349**

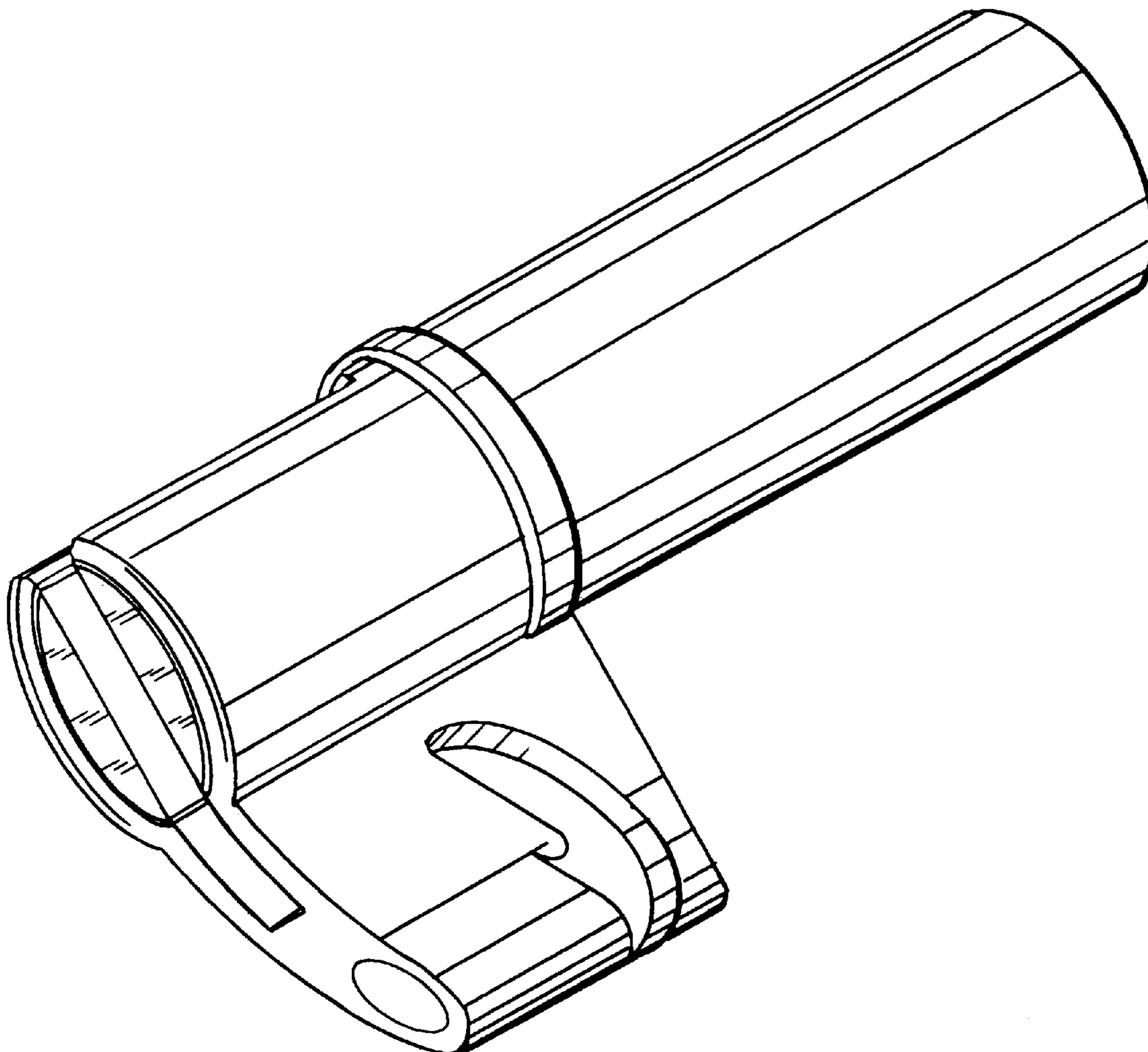
[58] **Field of Search** ..... D8/349, 354, 382;  
24/115 G, 115 R; 248/251

[56] **References Cited**

**U.S. PATENT DOCUMENTS**

3,378,219 4/1968 Biesecker ..... 248/251 X

**1 Claim, 2 Drawing Sheets**



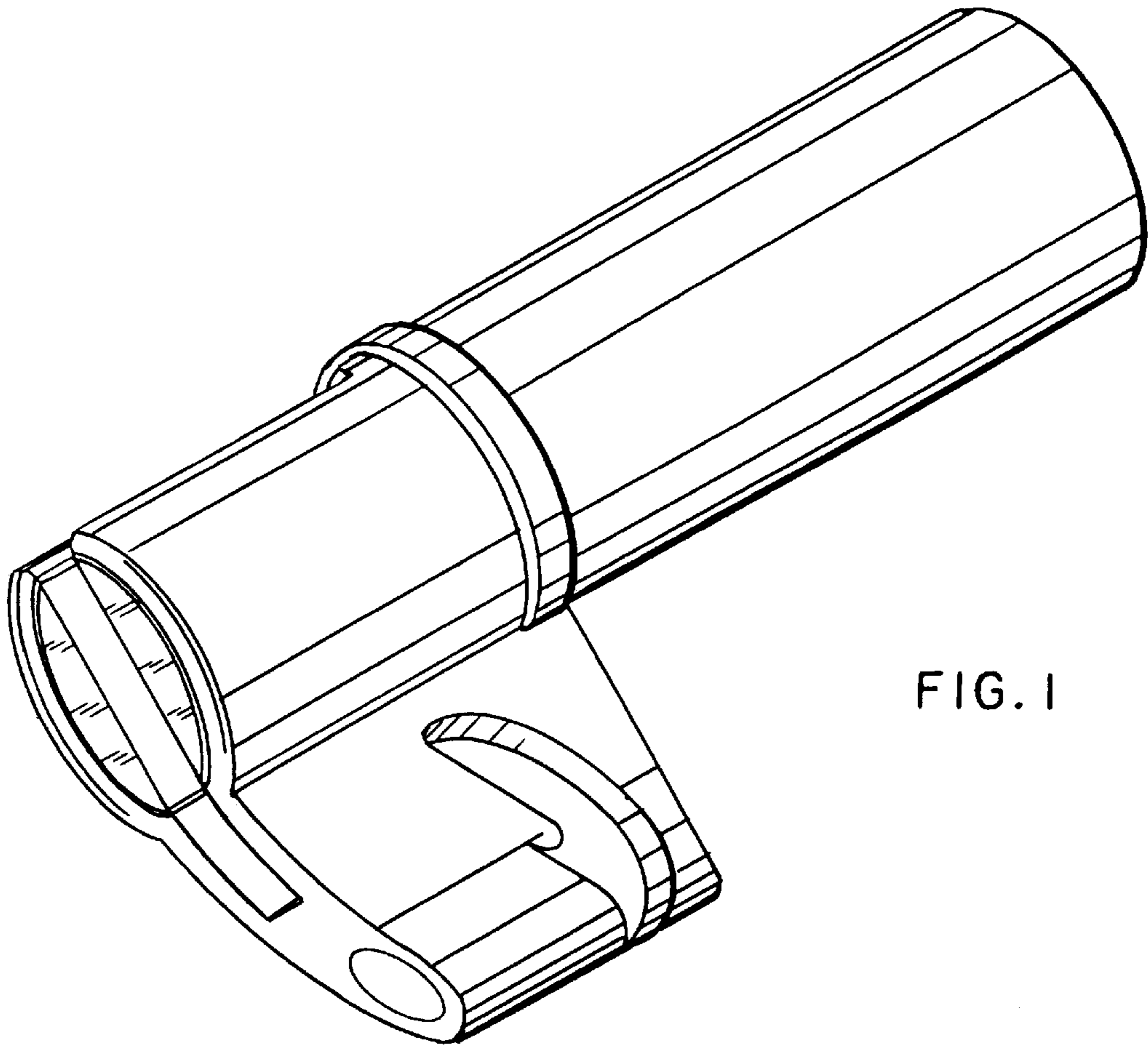


FIG. 1

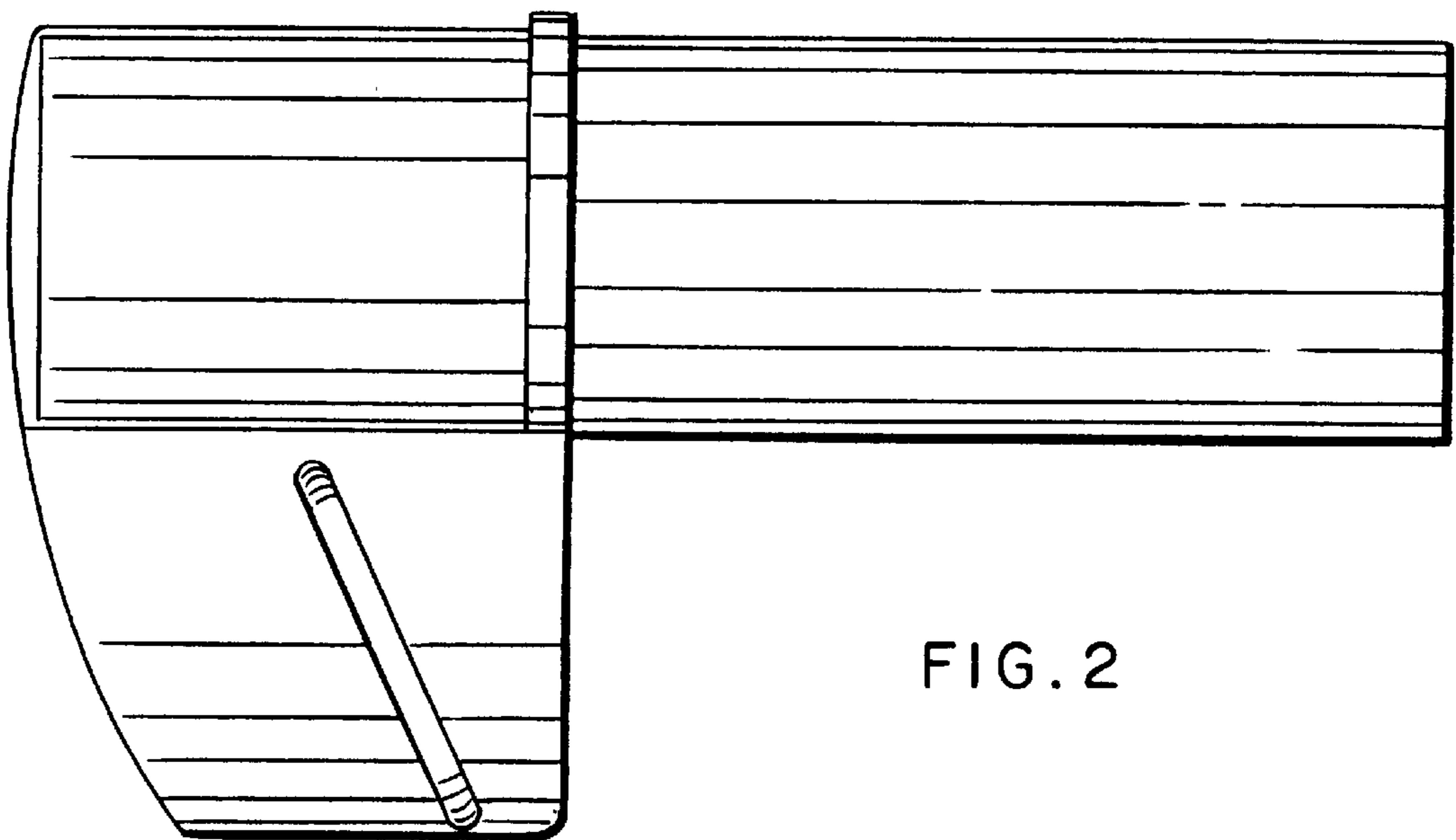


FIG. 2

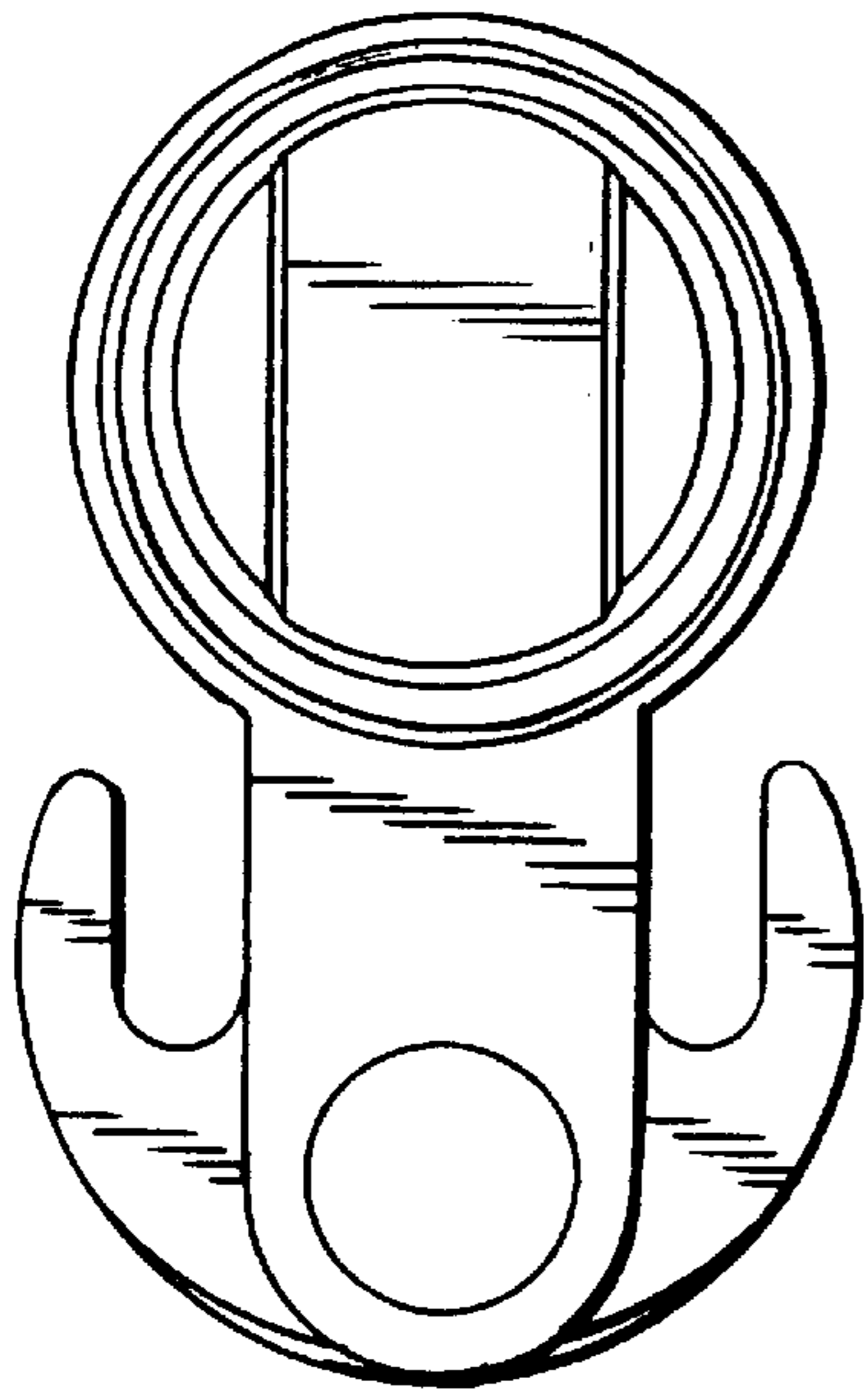


FIG. 3

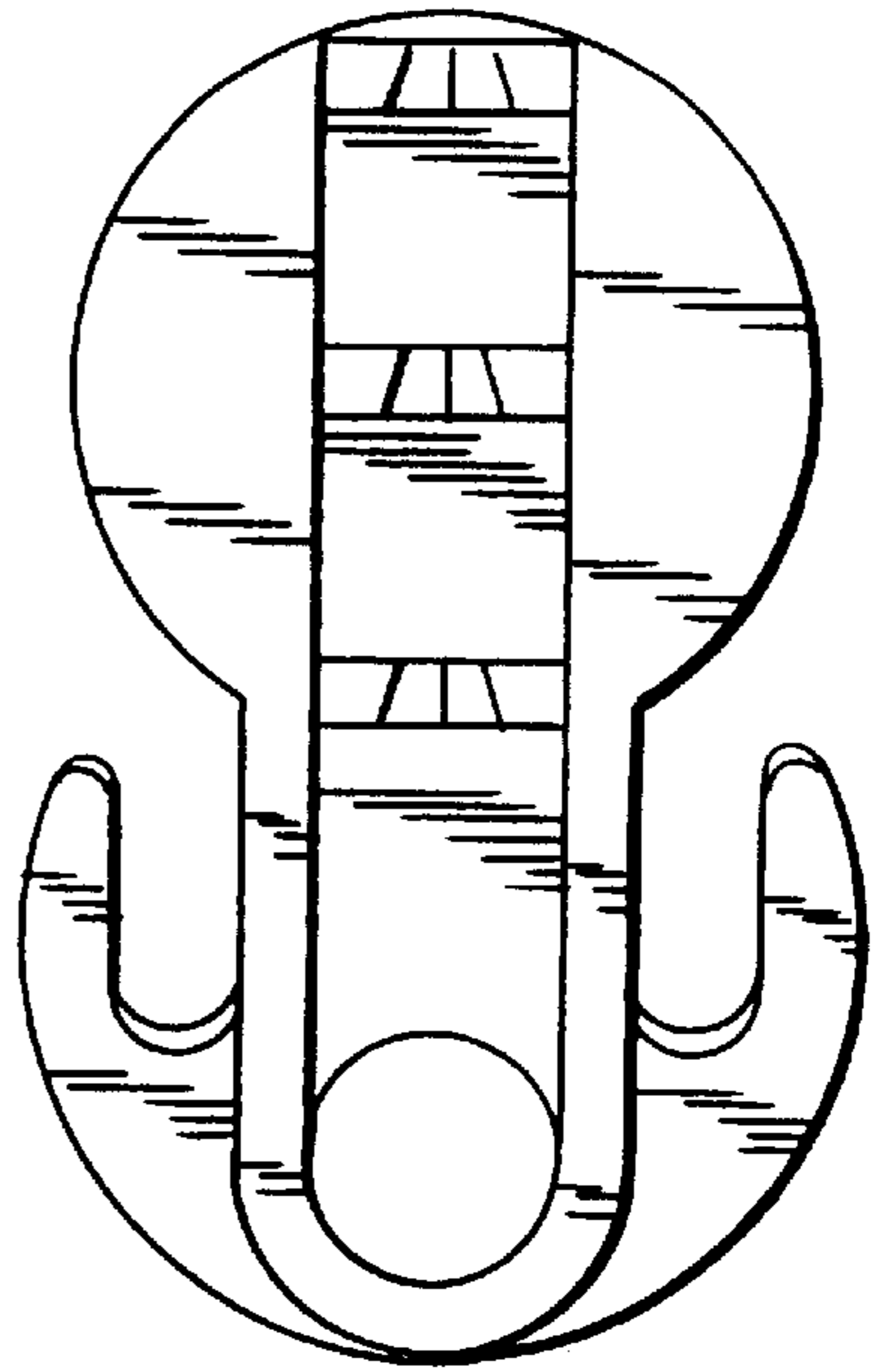


FIG. 4

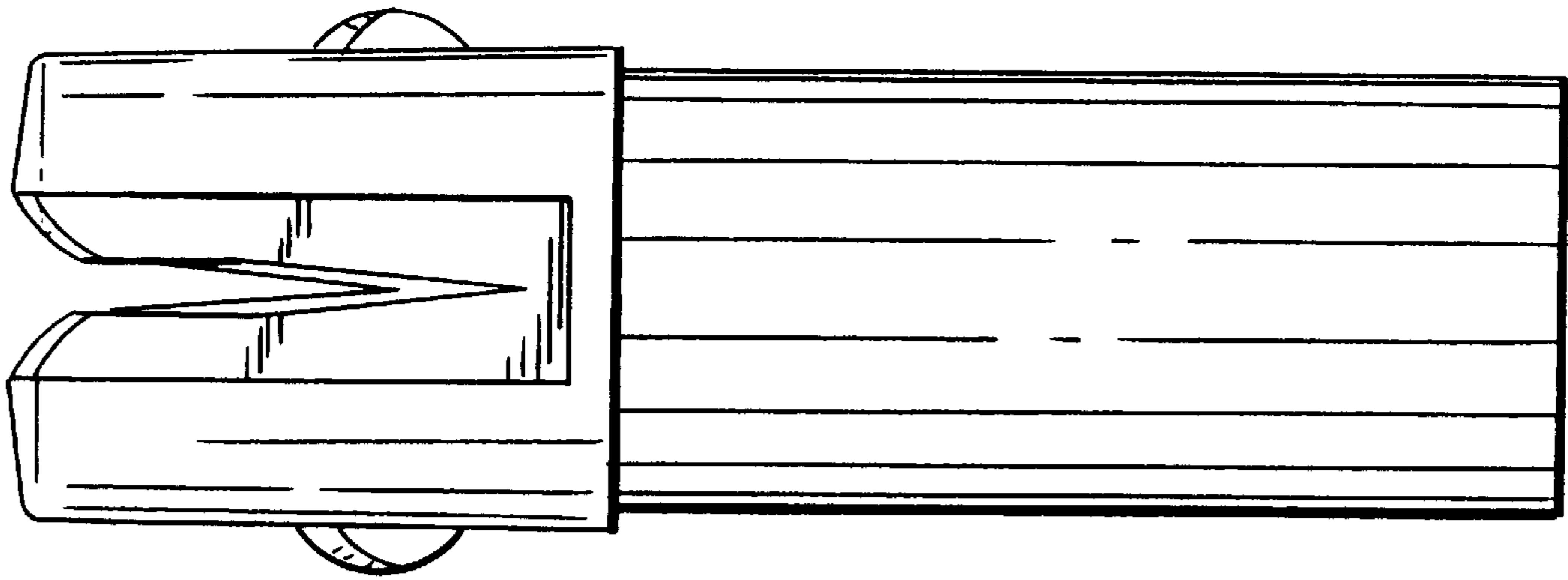


FIG. 5

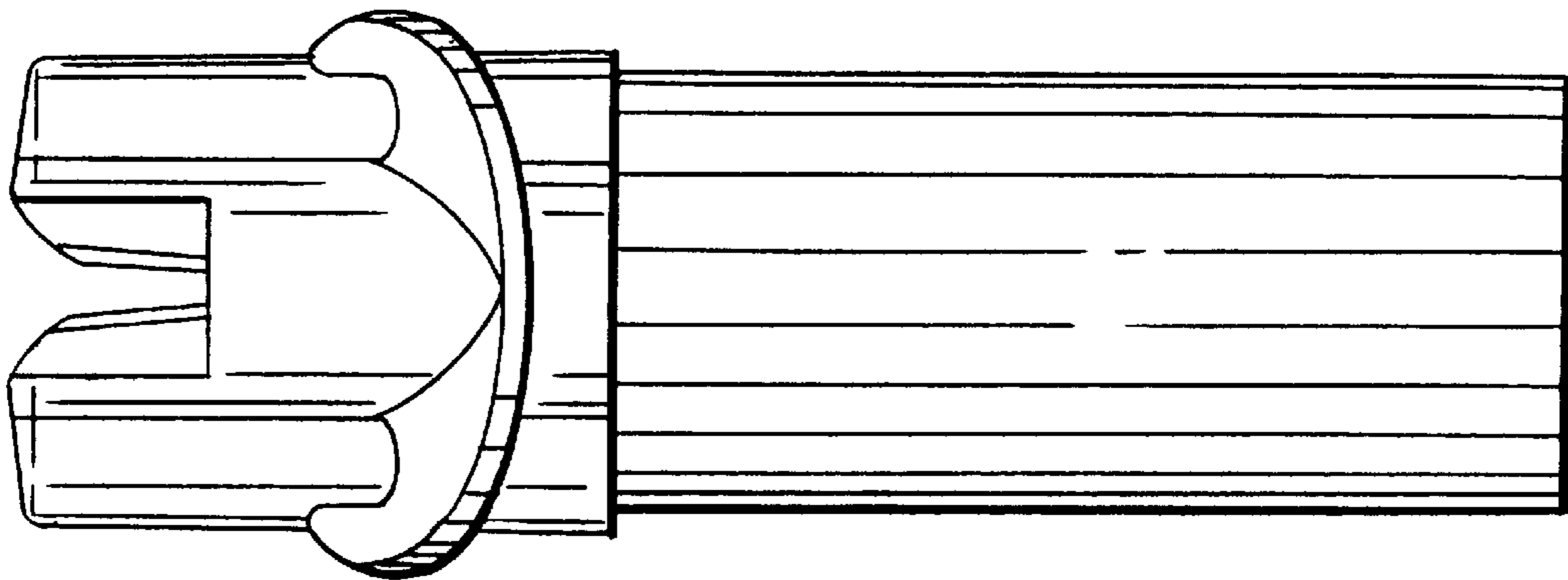


FIG. 6