



US00D415011S

United States Patent [19] Ng

[11] **Patent Number: Des. 415,011**

[45] **Date of Patent: ** Oct. 12, 1999**

[54] **DOOR HANDLE WITH LOCK**

[75] Inventor: **Samuel Kim-Hung Ng**, Toronto, Canada

[73] Assignee: **Bay Mills Limited**, Ontario, Canada

[**] Term: **14 Years**

[21] Appl. No.: **29/076,514**

[22] Filed: **Sep. 12, 1997**

[51] **LOC (6) Cl. 08-07**

[52] **U.S. Cl. D8/341; D8/302; D8/319; D8/320**

[58] **Field of Search D8/300, 301, 302, D8/319, 320, 339, 341; 16/124, 110 R; 292/137, 150, DIG. 47, DIG. 46, 175**

[56] **References Cited**

U.S. PATENT DOCUMENTS

D. 197,271 1/1964 Moncada .

D. 199,429 10/1964 Tucker .
D. 304,292 10/1989 Bobrowski D8/341
5,145,221 9/1992 Pennebaker et al. 292/175
5,778,602 7/1998 Johnson 292/DIG. 47

Primary Examiner—B. J. Bullock

Attorney, Agent, or Firm—Fitzpatrick, Cella, Harper & Scinto

[57] CLAIM

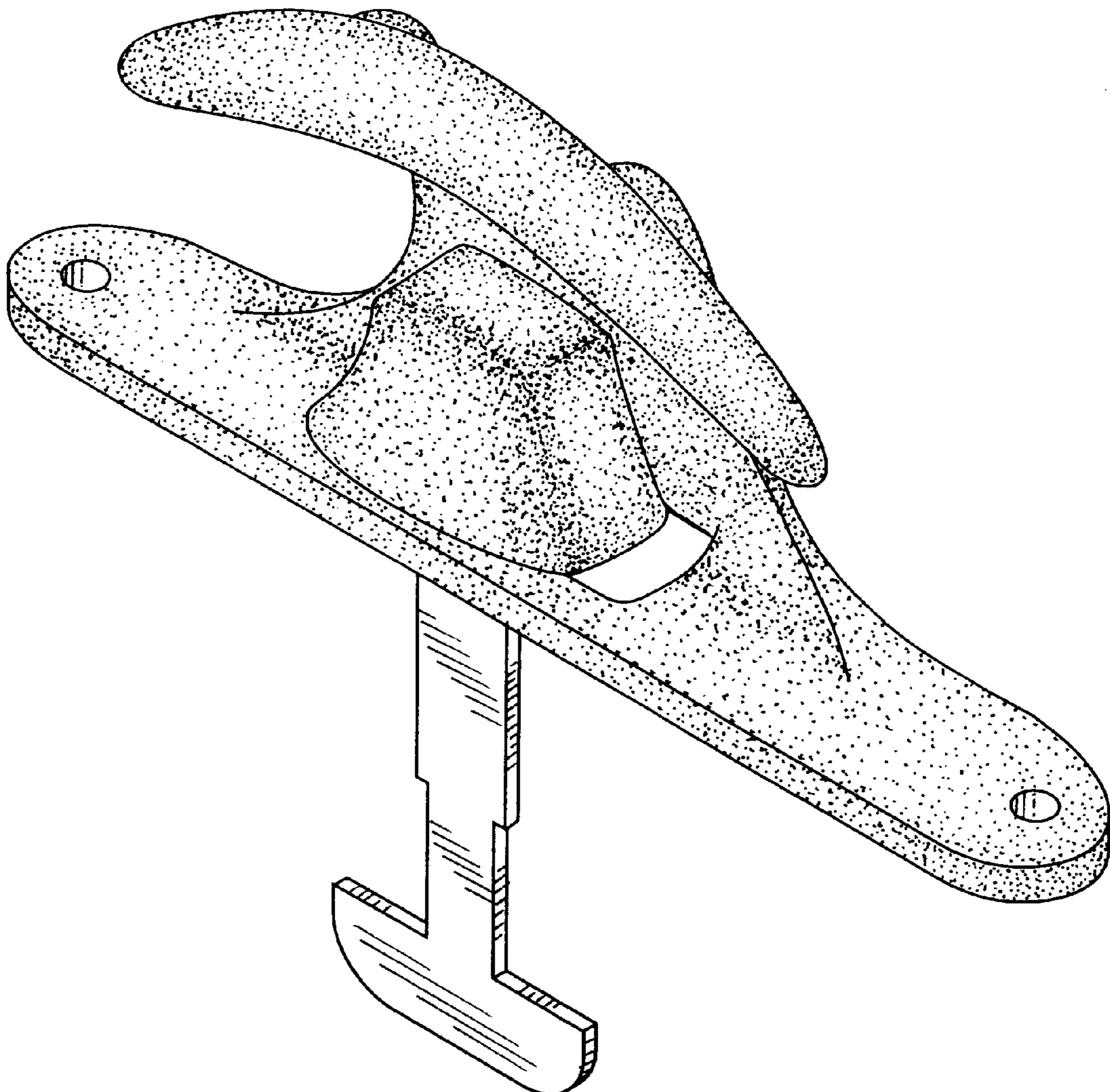
The ornamental design for a door handle with lock, as shown and described.

DESCRIPTION

FIG. 1 is a perspective view of the door handle with lock; FIG. 2 is a left side elevational view thereof; FIG. 3 is an enlarged front elevational view thereof; FIG. 4 is a rear elevational view thereof; FIG. 5 is a bottom plan view thereof; and, FIG. 6 is a top plan view thereof.

The right side elevational view has been omitted because this view is a mirror image of FIG. 2.

1 Claim, 4 Drawing Sheets



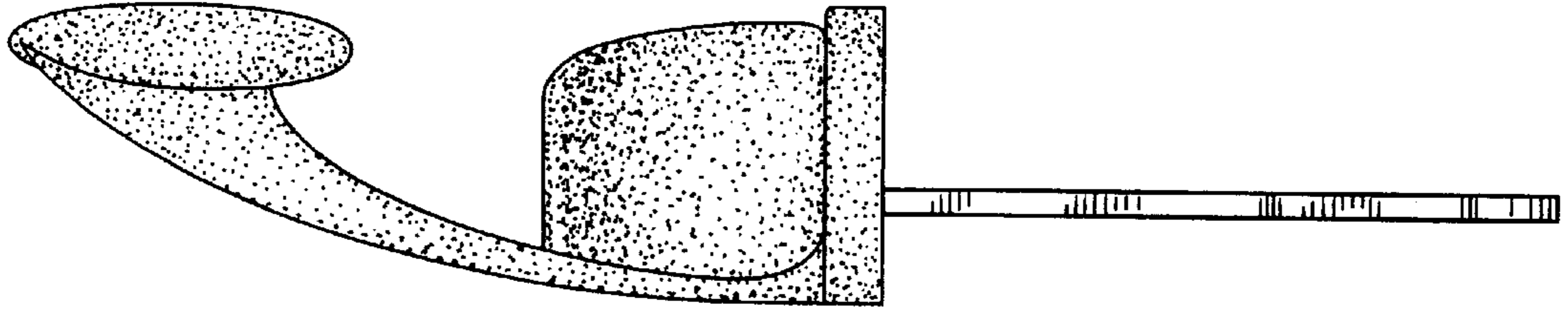


FIG. 2

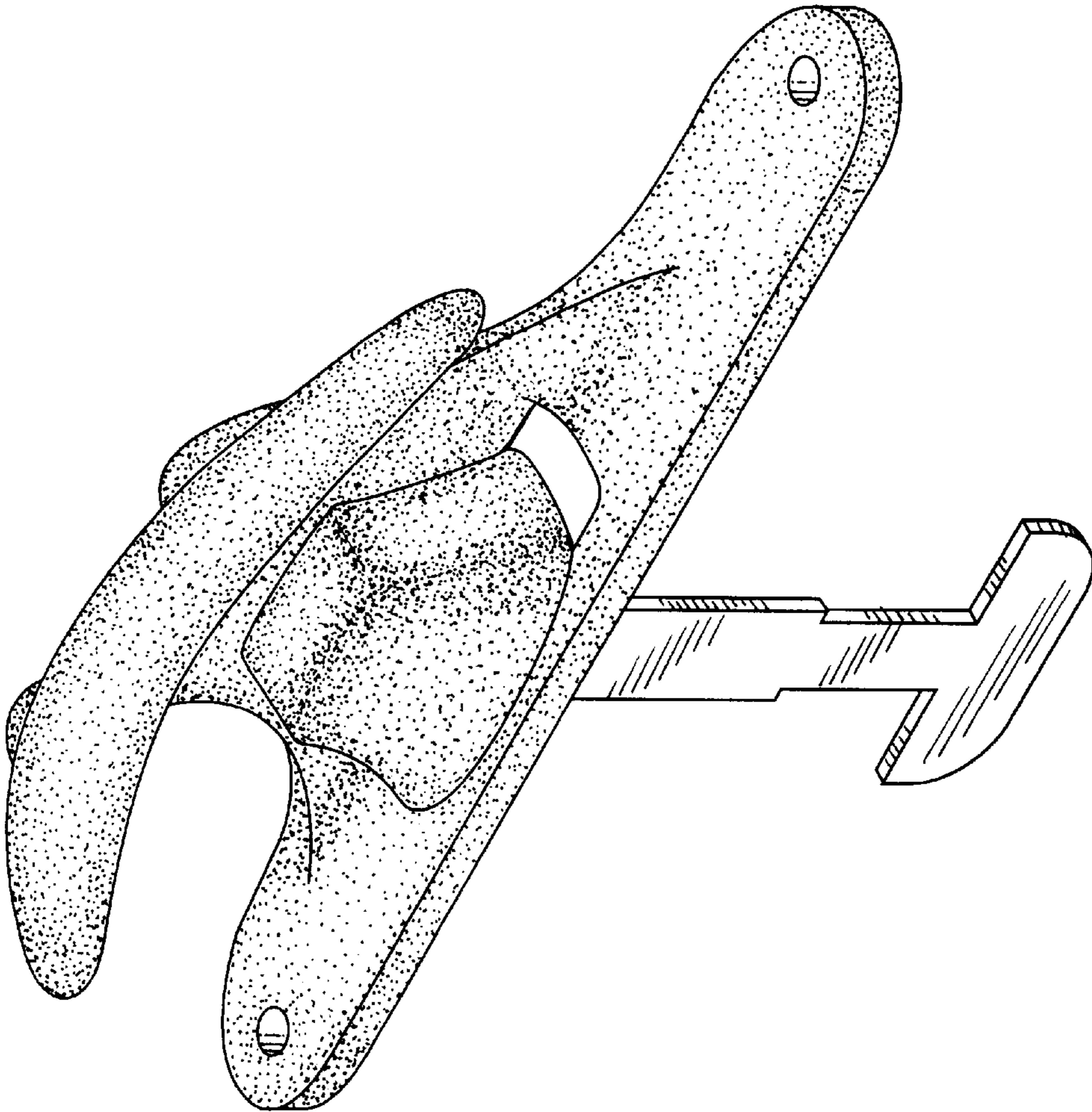


FIG. 1

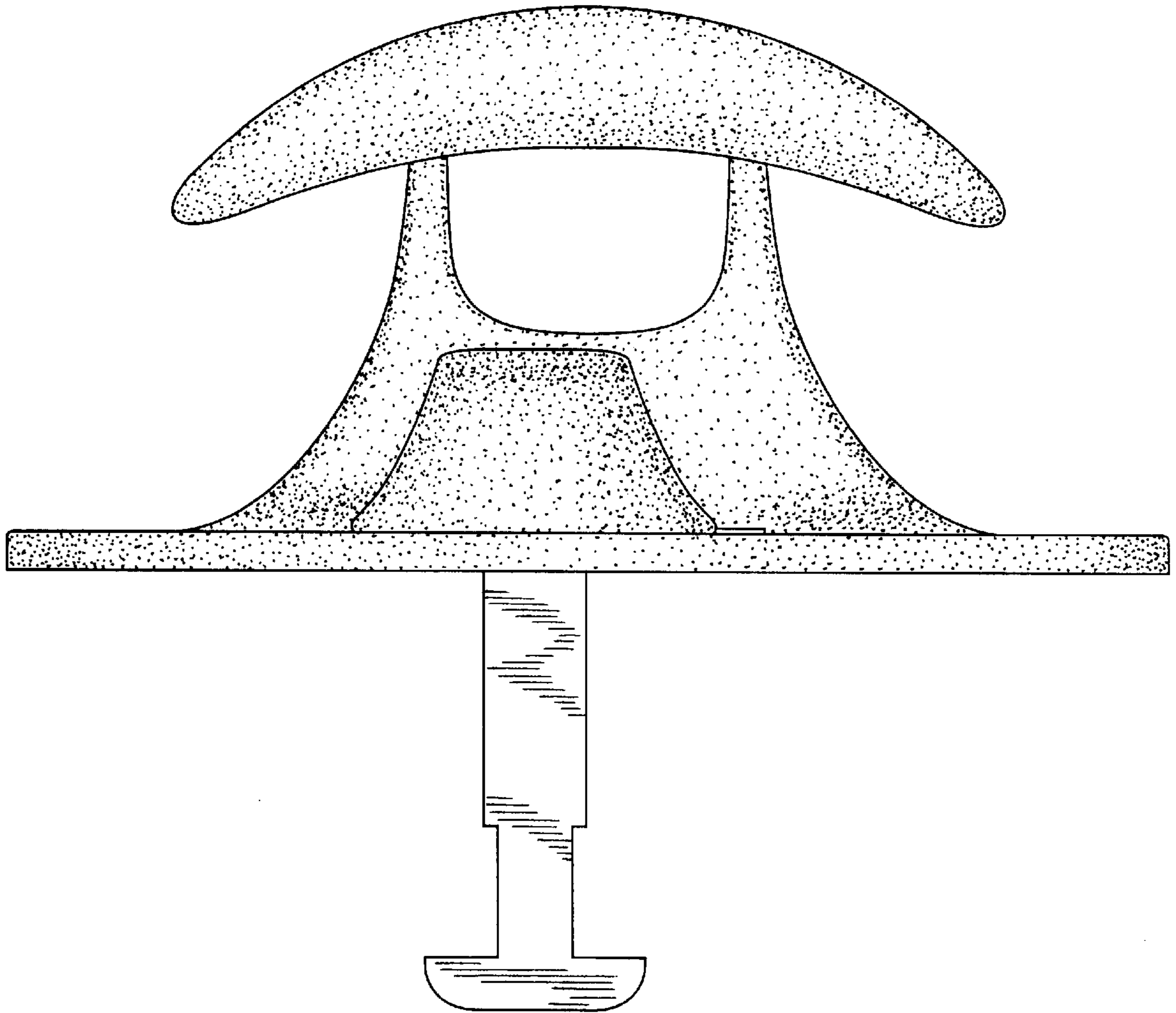


FIG. 3

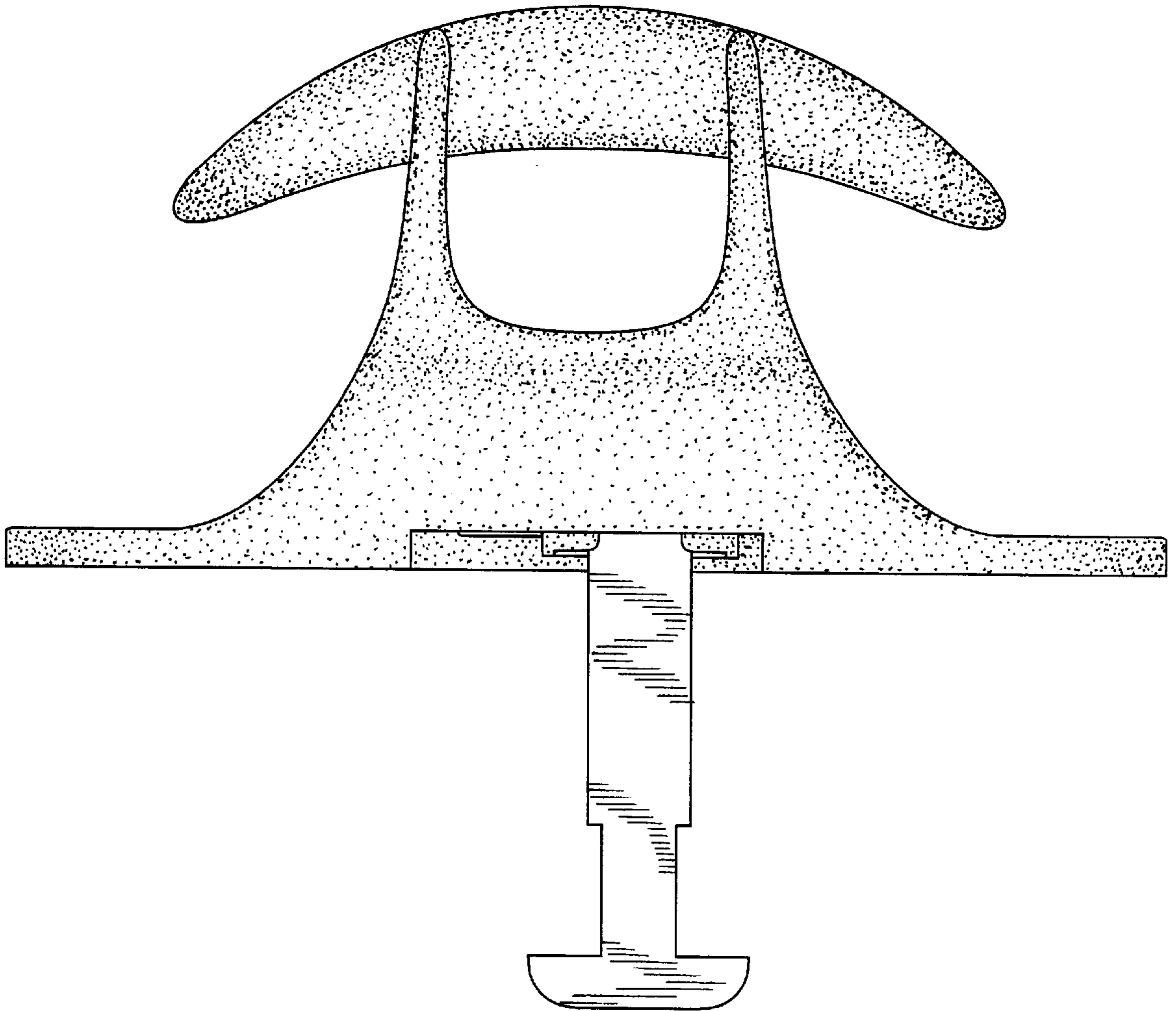


FIG. 4

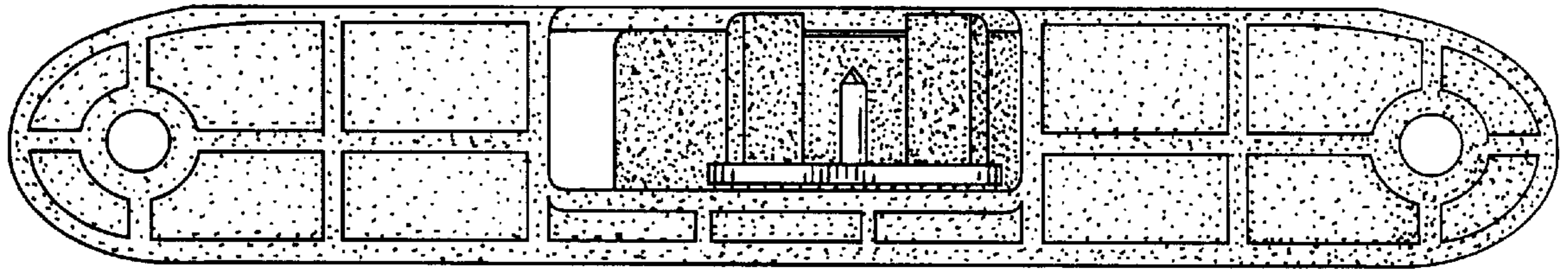


FIG. 5

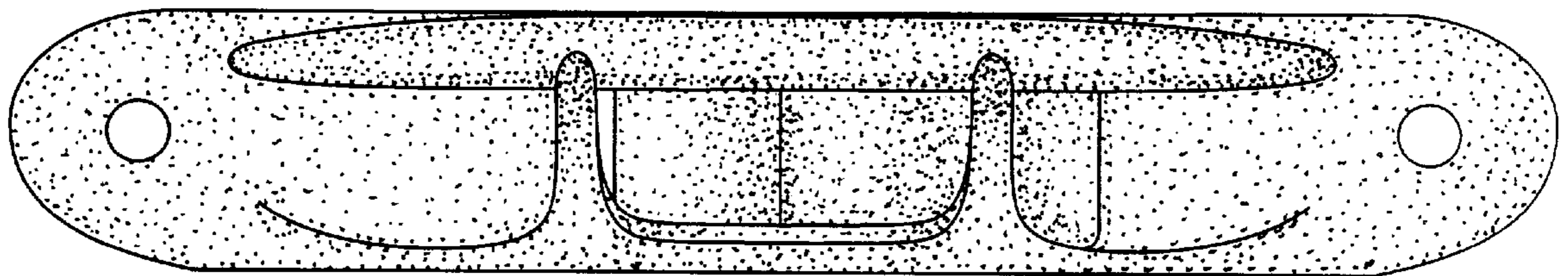


FIG. 6