



US00D415010S

United States Patent [19] Matyko

[11] **Patent Number: Des. 415,010**

[45] **Date of Patent: ** Oct. 12, 1999**

[54] **PADLOCK BODY**

[75] Inventor: **Adalbert Matyko**, Asdod, Israel

[73] Assignee: **Mul-T-Lock Technologies Ltd**, Yaune, Israel

[**] Term: **14 Years**

[21] Appl. No.: **29/088,930**

[22] Filed: **Jun. 4, 1998**

[30] **Foreign Application Priority Data**

Dec. 8, 1997 [IL] Israel 28946

[51] **LOC (6) Cl.** **08-07**

[52] **U.S. Cl.** **D8/334**

[58] **Field of Search** D8/334, 343; 70/31, 70/35, 20, 51, 52, 56

[56] **References Cited**

U.S. PATENT DOCUMENTS

D. 78,846 6/1929 Soref D8/334

D. 335,813 5/1993 Appelbaum D8/334
D. 353,531 12/1994 Kahonen D8/334
D. 395,814 7/1998 Yang D8/334
4,107,965 8/1978 Miller et al. 70/52

Primary Examiner—Brian N. Vinson
Attorney, Agent, or Firm—Lilling & Lilling P.C.

[57] **CLAIM**

The ornamental design for a padlock body, as shown.

DESCRIPTION

FIG. 1 is a perspective view of a padlock body showing my new design;

FIG. 2 is a rear elevational view thereof;

FIG. 3 is a right side elevational view thereof;

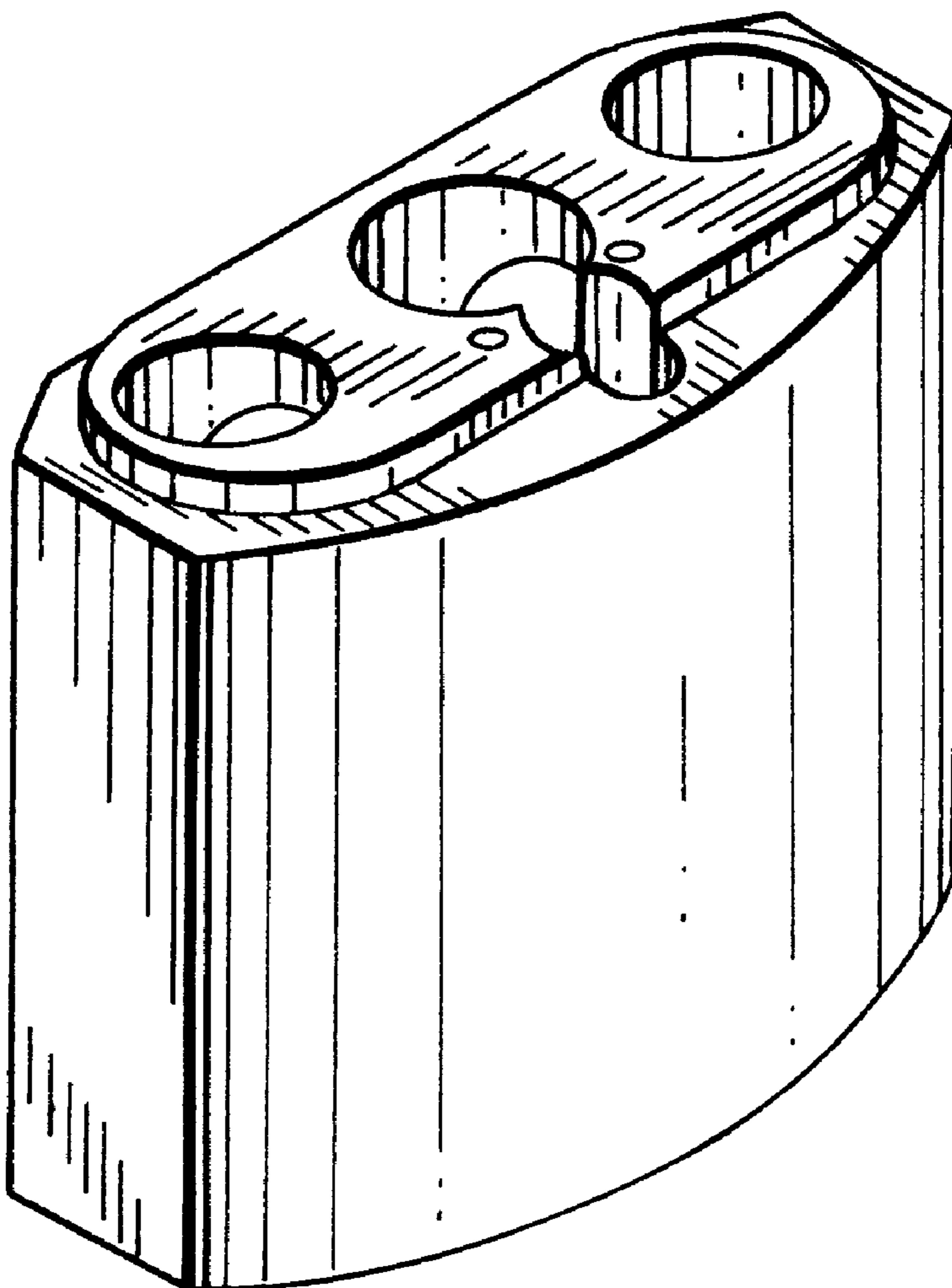
FIG. 4 is a front elevational view thereof;

FIG. 5 is a left side elevational view thereof;

FIG. 6 is a top plan view thereof; and,

FIG. 7 is a bottom plan view thereof.

1 Claim, 2 Drawing Sheets



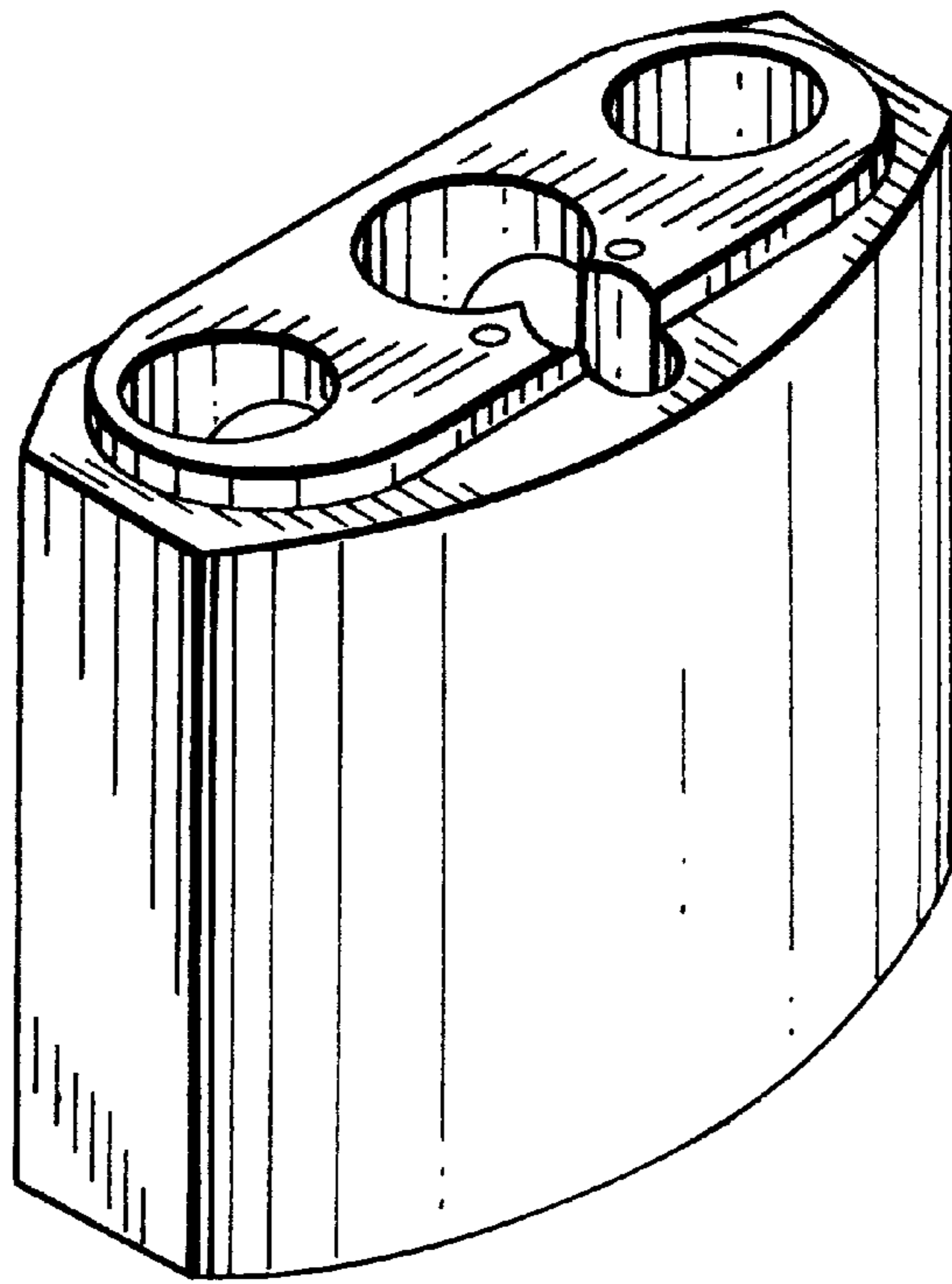


FIG. 1

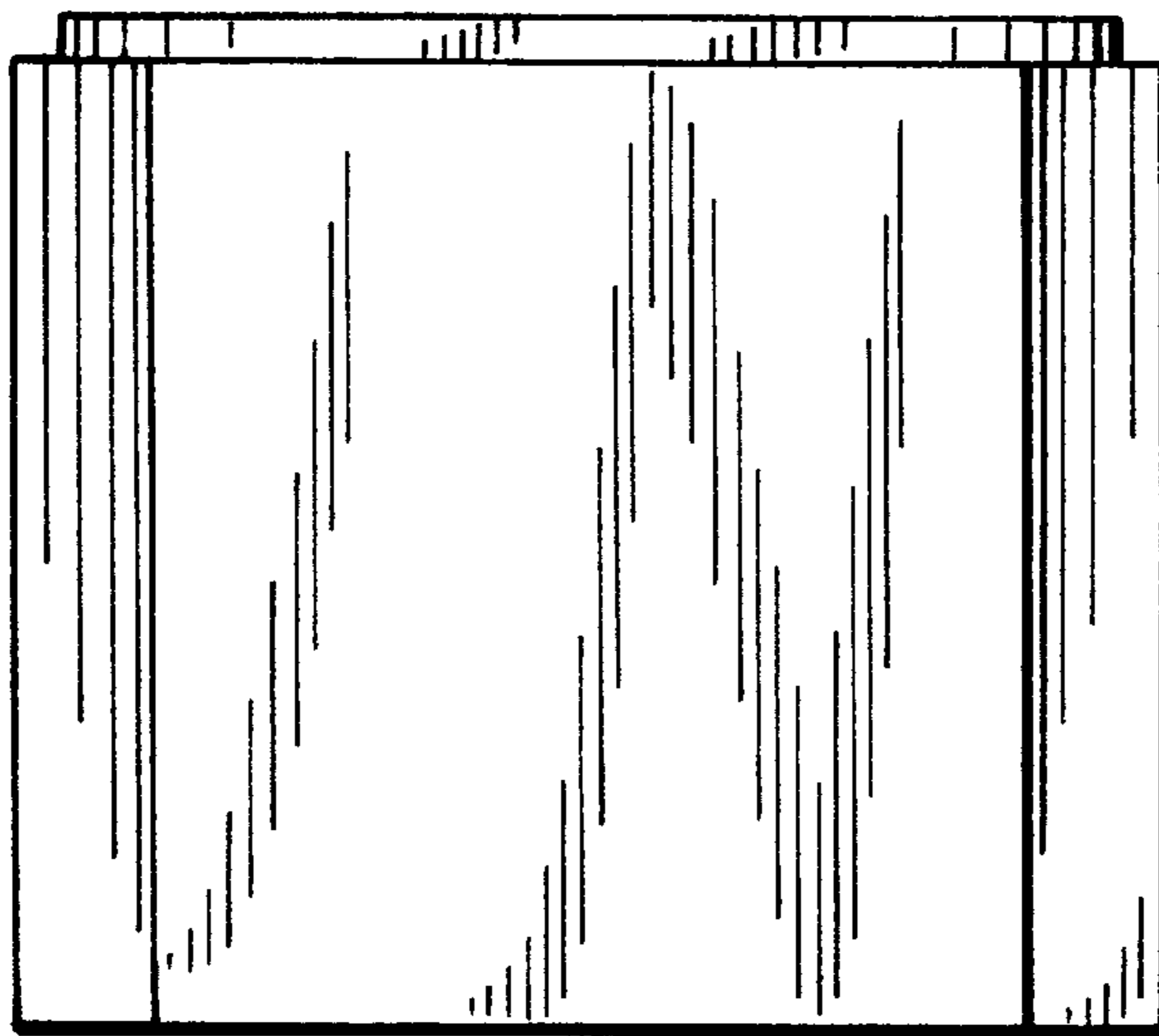


FIG. 2

FIG. 3

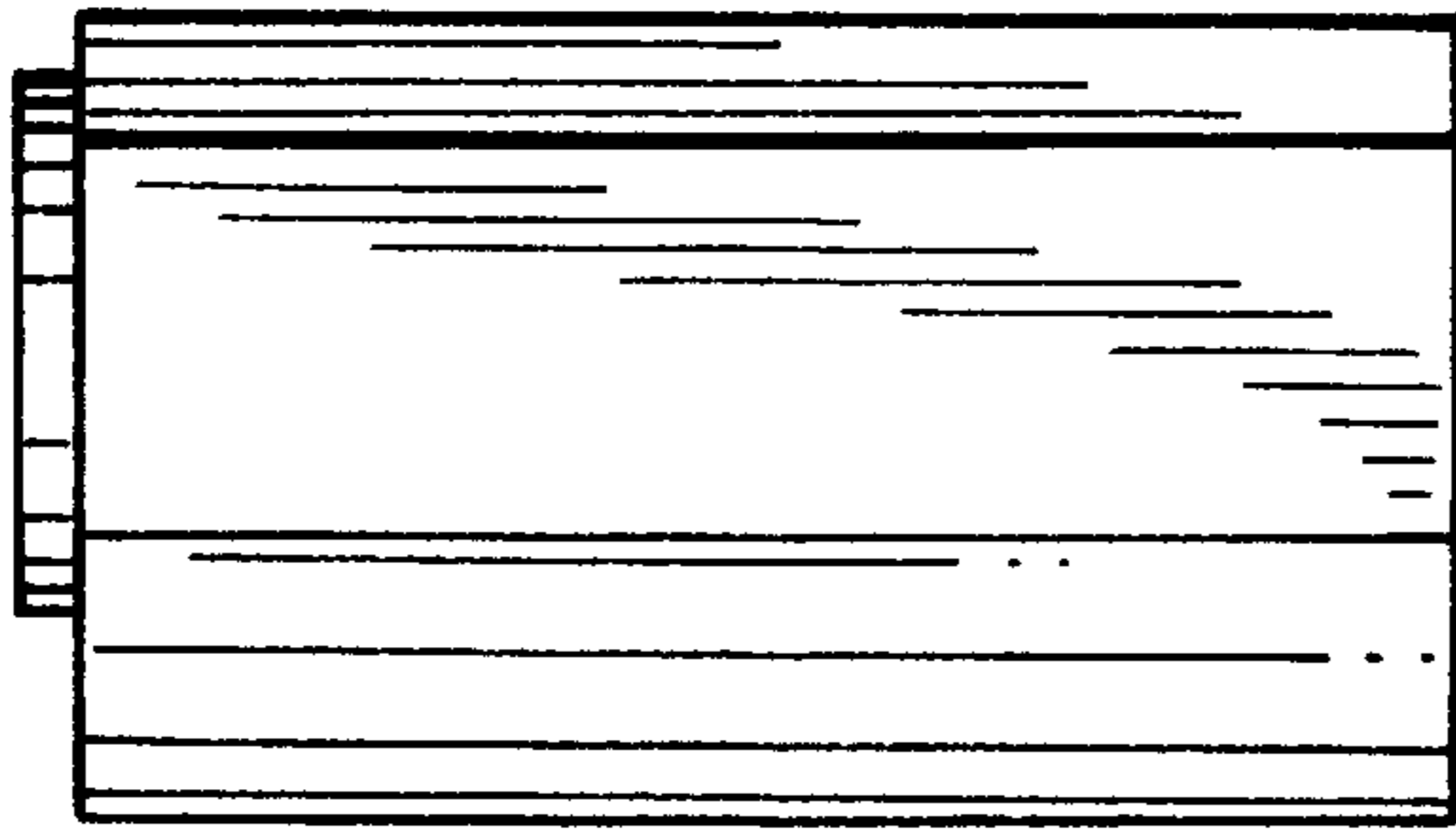


FIG. 4

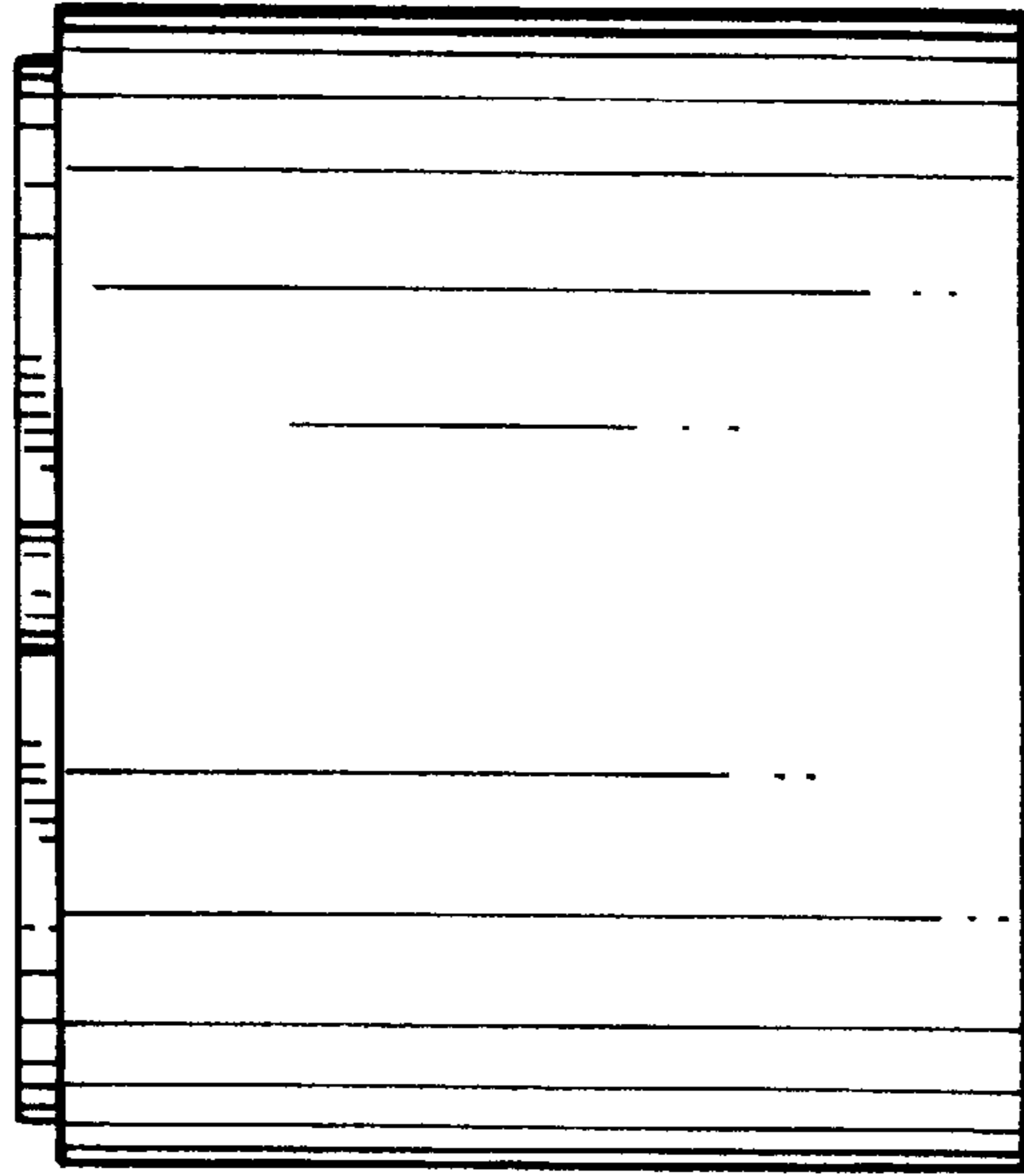


FIG. 5

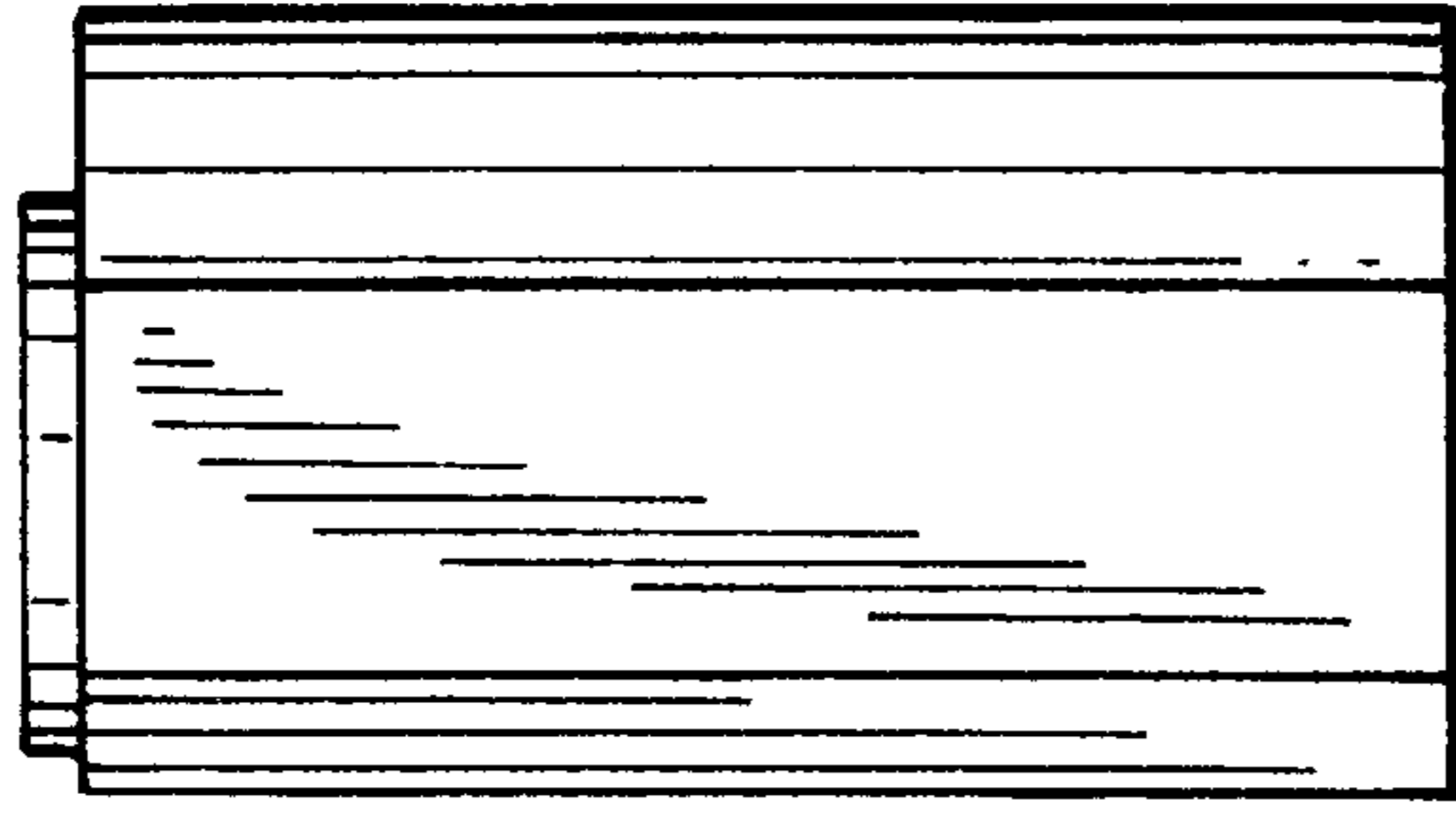


FIG. 6

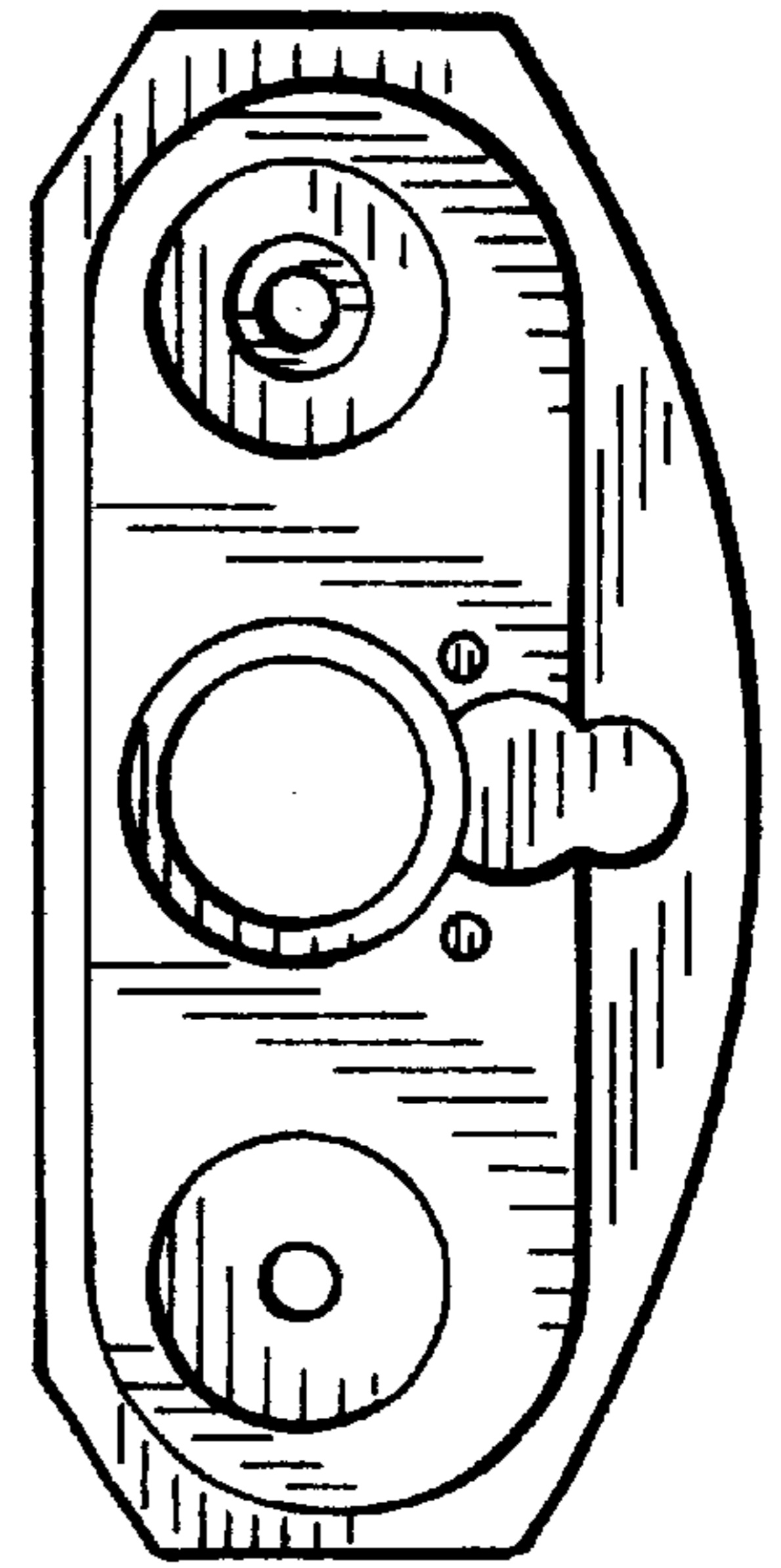


FIG. 7

