



US00D415009S

United States Patent [19]

Hasselbusch

[11] **Patent Number: Des. 415,009**

[45] **Date of Patent: ** Oct. 12, 1999**

[54] **ACTION TRIGGER LOCK**

[76] Inventor: **Harold Hasselbusch**, 144-21 68th Dr.,
Flushing, N.Y. 11367

[**] Term: **14 Years**

[21] Appl. No.: **29/091,430**

[22] Filed: **Jul. 29, 1998**

[51] **LOC (6) Cl. 08-07**

[52] **U.S. Cl. D8/331; D8/331**

[58] **Field of Search D8/330, 331, 343,
D8/339; 42/66, 67, 70.01, 70.04, 70.05,
70.06, 70.08, 70.11, 44; D22/108**

[56] **References Cited**

U.S. PATENT DOCUMENTS

3,636,646	1/1972	Drevet	42/44
4,845,870	7/1989	Vernon	42/70.08
5,097,613	3/1992	Miller et al.	42/70.01

5,138,785	8/1992	Paterson	42/66
5,179,234	1/1993	Cvetanovich	42/70.11
5,400,538	3/1995	Shannon	42/70.02

Primary Examiner—Susan J. Lucas
Assistant Examiner—Jennifer Rivard

[57] **CLAIM**

The ornamental design for an action trigger lock, as shown and described.

DESCRIPTION

FIG. 1 is a left side perspective view of the action trigger lock device.

FIG. 2 is a right side perspective view of the action trigger lock device; and,

The surface of the article not shown in the drawing or described in the specification forms no part of the claimed design.

1 Claim, 1 Drawing Sheet

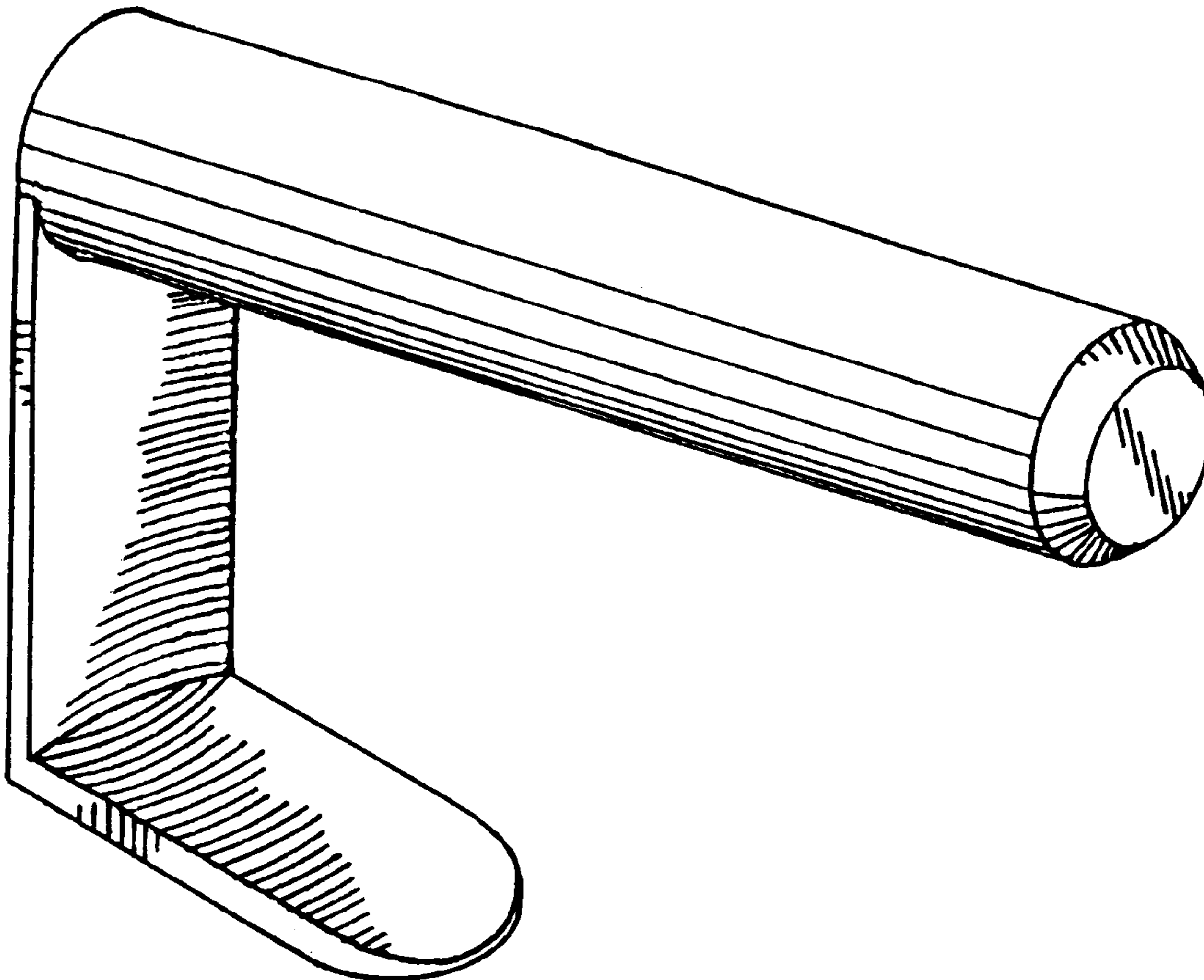


FIG. 1

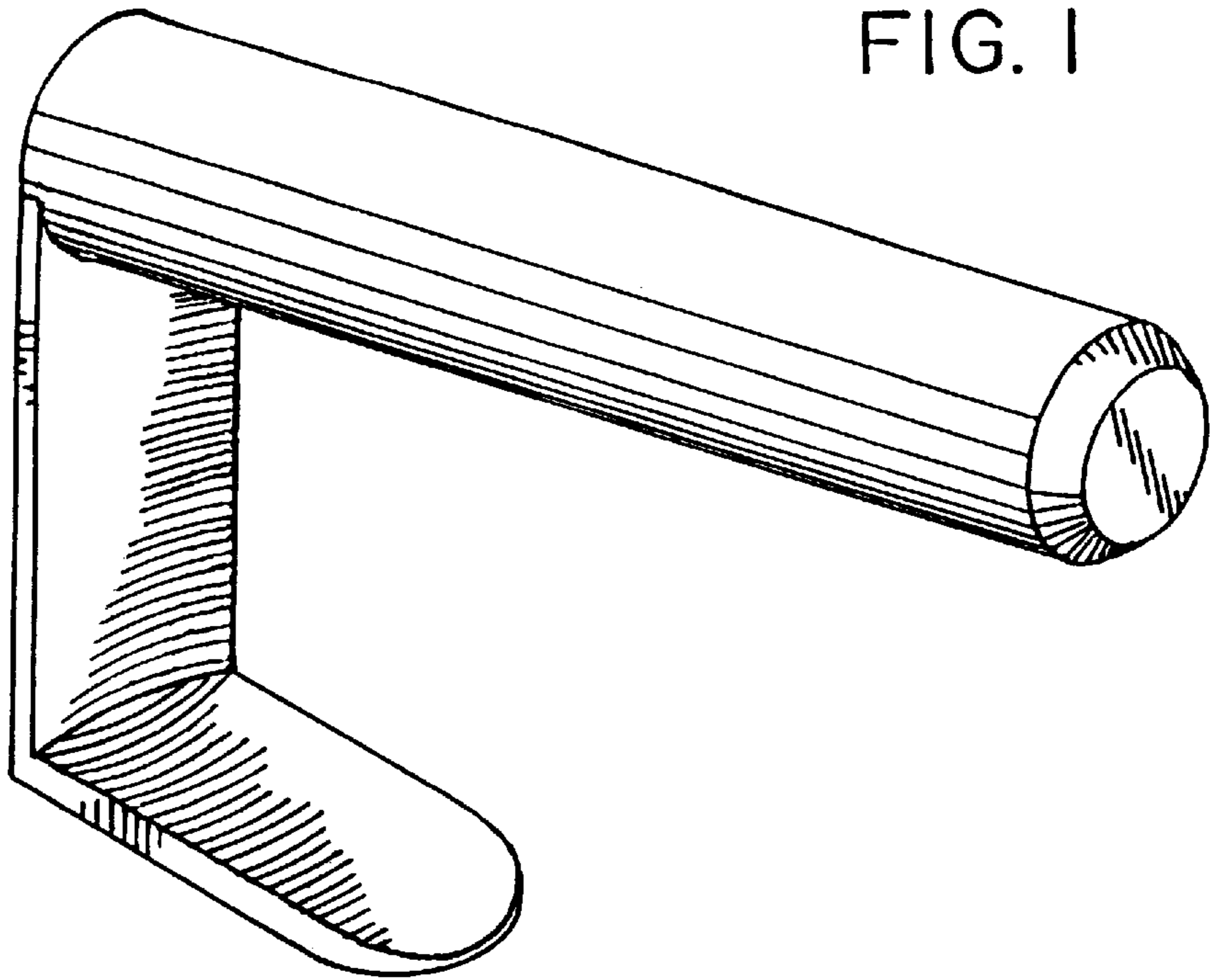


FIG. 2

