



US00D415000S

United States Patent [19]

Sakai et al.

[11] Patent Number: Des. 415,000

[45] Date of Patent: ** Oct. 12, 1999

[54] BENCH CIRCULAR SAW

[75] Inventors: Masato Sakai; Yoshio Matsumoto, both of Hitachinaka; Shigeharu Ushiwata, Haramachi; Ryuichi Imamura, Fukushima-ken, all of Japan

[73] Assignee: Hitachi Koki Co., Ltd., Tokyo, Japan

[**] Term: 14 Years

[21] Appl. No.: 29/087,822

[22] Filed: May 11, 1998

[30] Foreign Application Priority Data

Nov. 14, 1997 [JP] Japan 9-75080

[51] LOC (6) Cl. 08-03

[52] U.S. Cl. D8/66

[58] Field of Search D8/61, 64, 66, D8/68, 69; D15/133; 83/397, 471.1-471.3, 474, 472, 469, 477, 581

[56] References Cited

U.S. PATENT DOCUMENTS

- D. 306,031 2/1990 Ushiwata D15/133
- D. 317,110 5/1991 Aehart D8/66
- D. 336,652 6/1993 Arehart D15/133
- D. 338,605 8/1993 Dehari D8/66
- D. 381,667 7/1997 Itzon D15/133
- D. 391,973 3/1998 Price D15/133

- D. 400,215 10/1998 Price D15/133
- 5,146,825 9/1992 Dehari 83/397
- 5,755,148 5/1998 Stumpf 83/471.3 X
- 5,819,624 10/1998 Brault 83/471.3

OTHER PUBLICATIONS

History of Bench Sliding Circular Saw.
Bench Sliding Circular Saw (C 7FS type); Sep. 1997.
Bench Sliding Circular Saw (C 12FSA type); Jul. 1995.

Primary Examiner—Nelson C. Holtje
Attorney, Agent, or Firm—McDermott, Will & Emery

[57] CLAIM

The ornamental design for a bench circular saw, as shown and described.

DESCRIPTION

FIG. 1 is a top and left front perspective view of a bench circular saw showing our new design; FIG. 2 is a left side elevational view thereof; FIG. 3 is a right side elevational view thereof; FIG. 4 is a front elevational view thereof; FIG. 5 is a rear elevational view thereof; FIG. 6 is a top plan view thereof; FIG. 7 is a bottom plan view thereof; FIG. 8 is a top and left front perspective view thereof with the chips collection bag omitted for ease of illustration; and, FIG. 9 is a left side elevational view thereof with the chip collection bag omitted for ease of illustration.

1 Claim, 9 Drawing Sheets

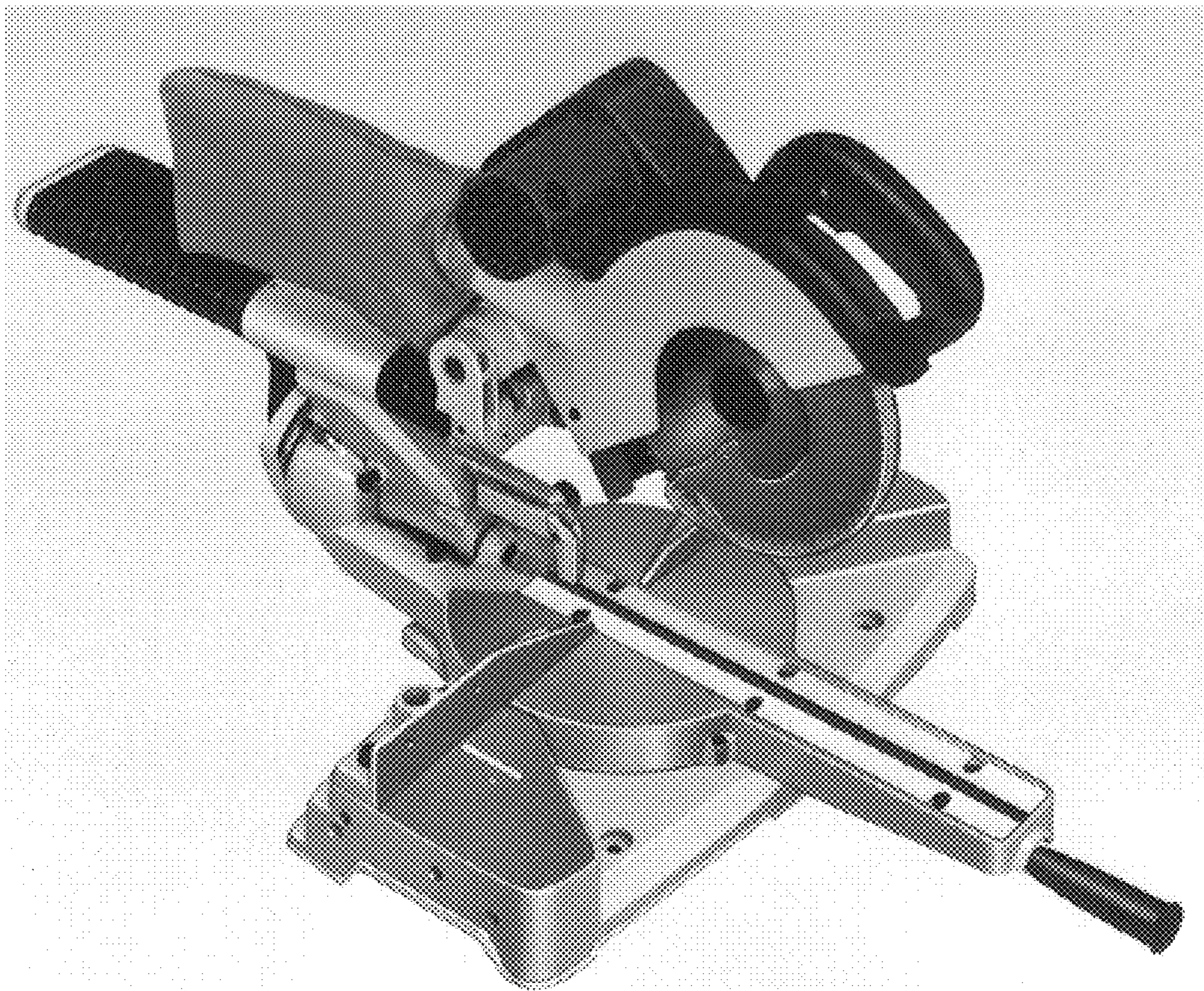


FIG. 1

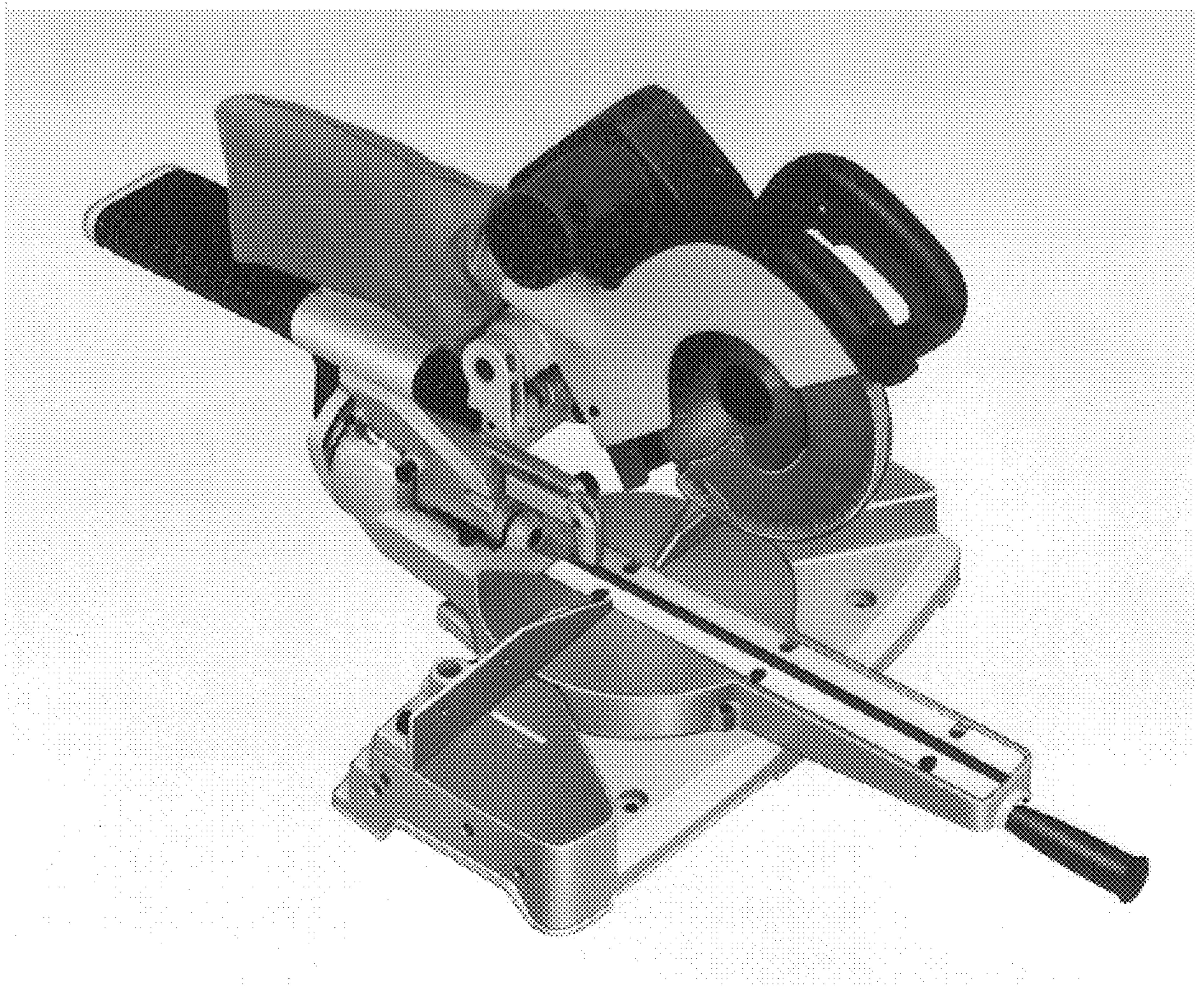


FIG. 2

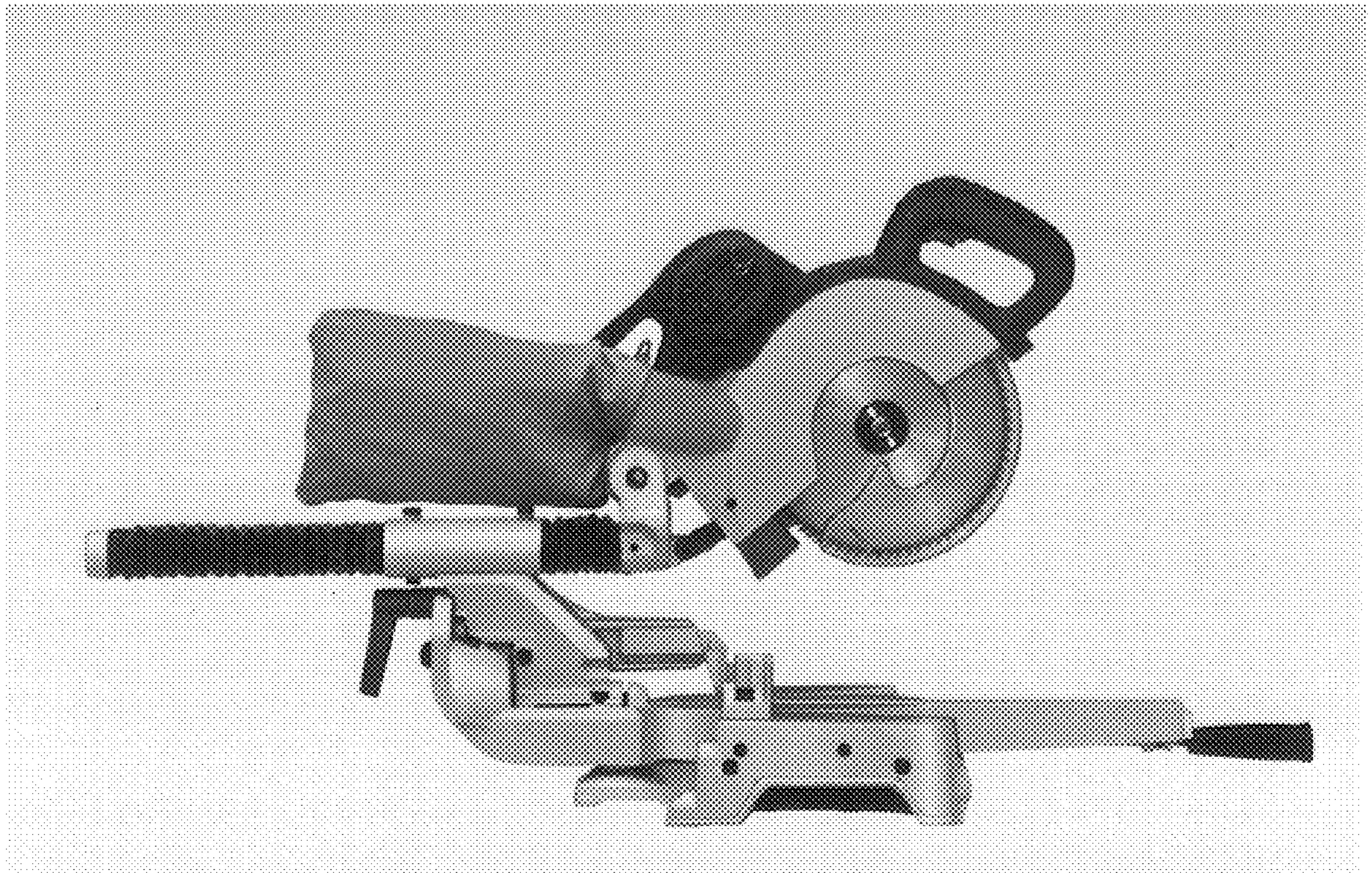


FIG. 3

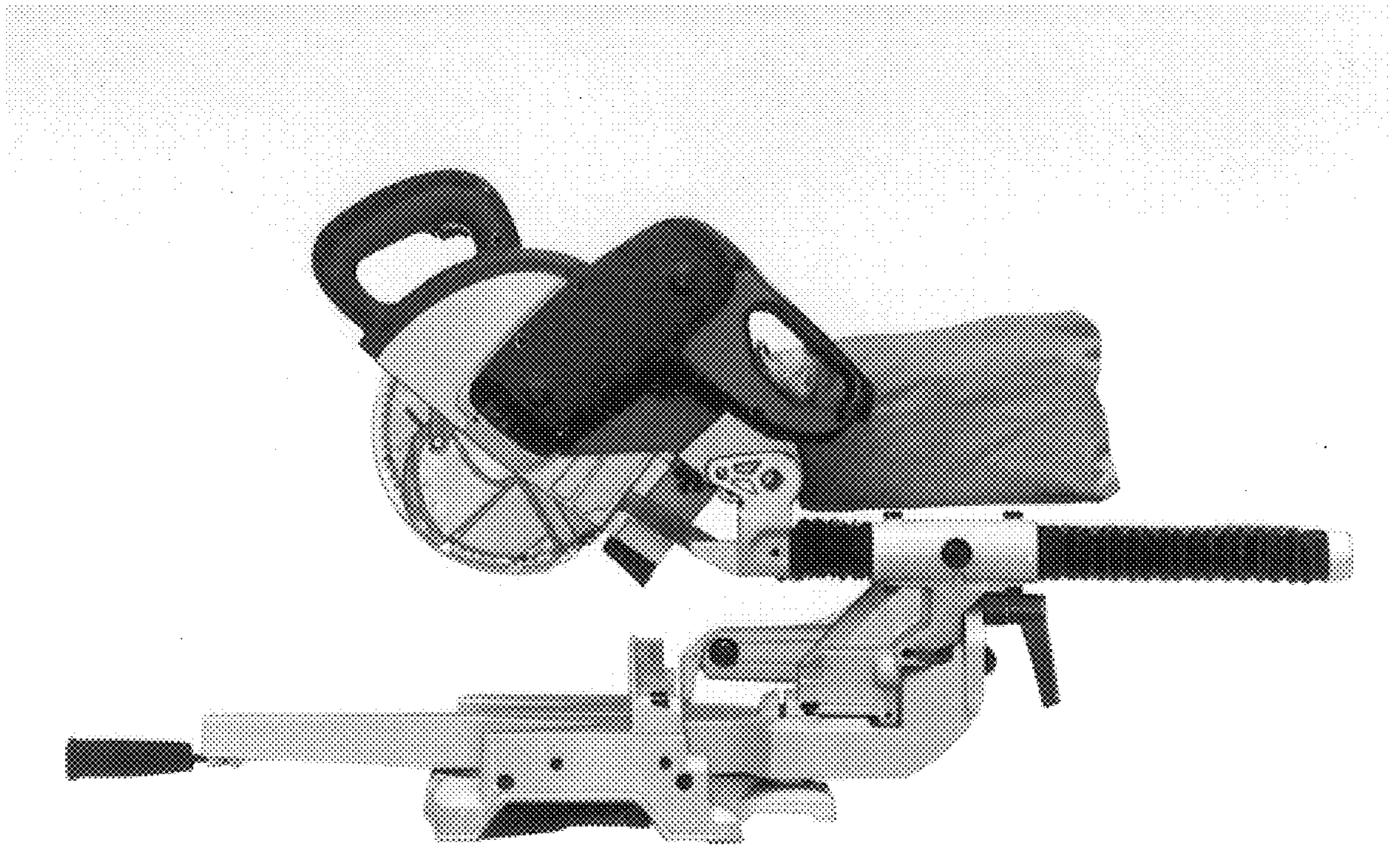


FIG. 4

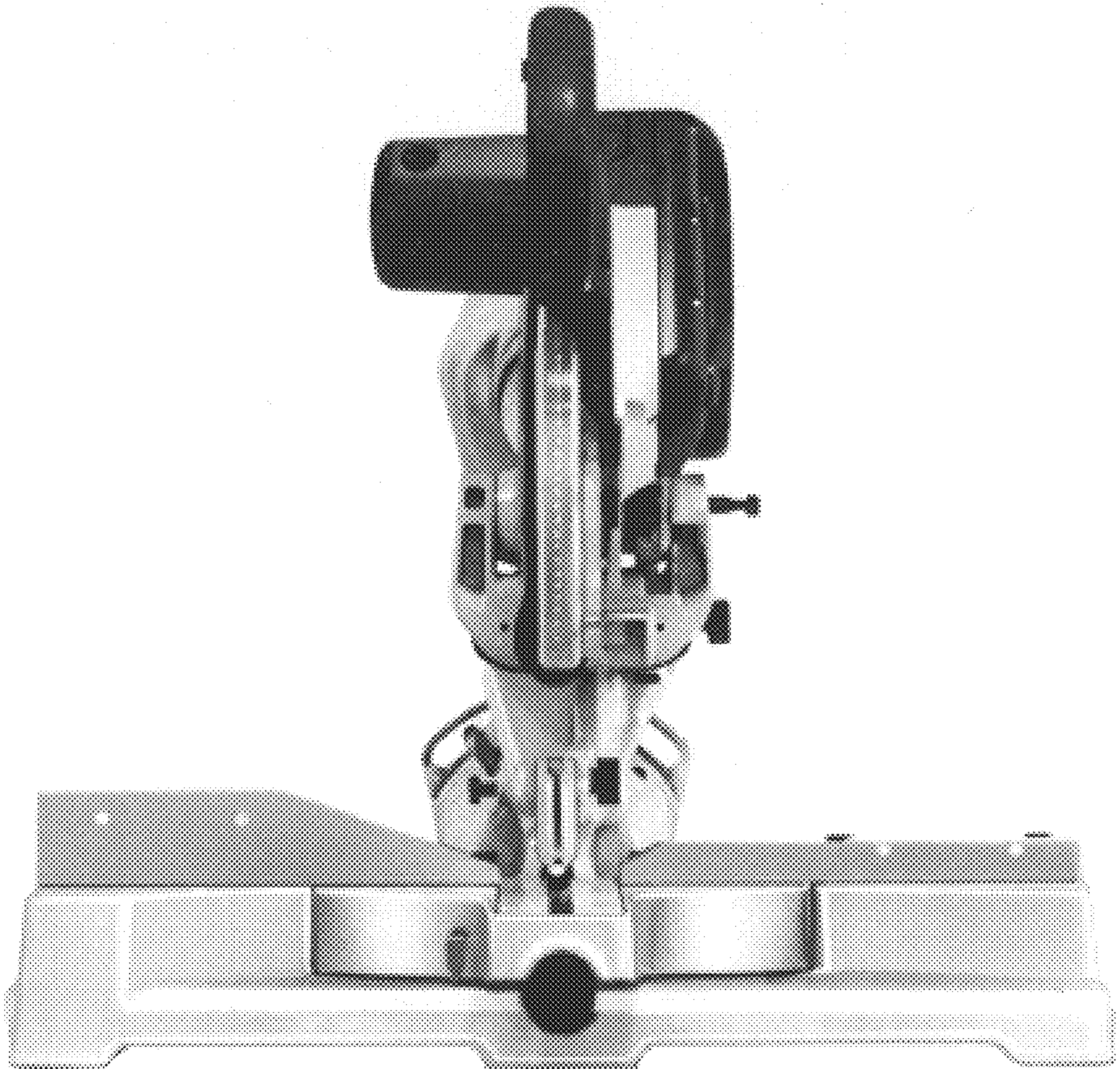


FIG. 5

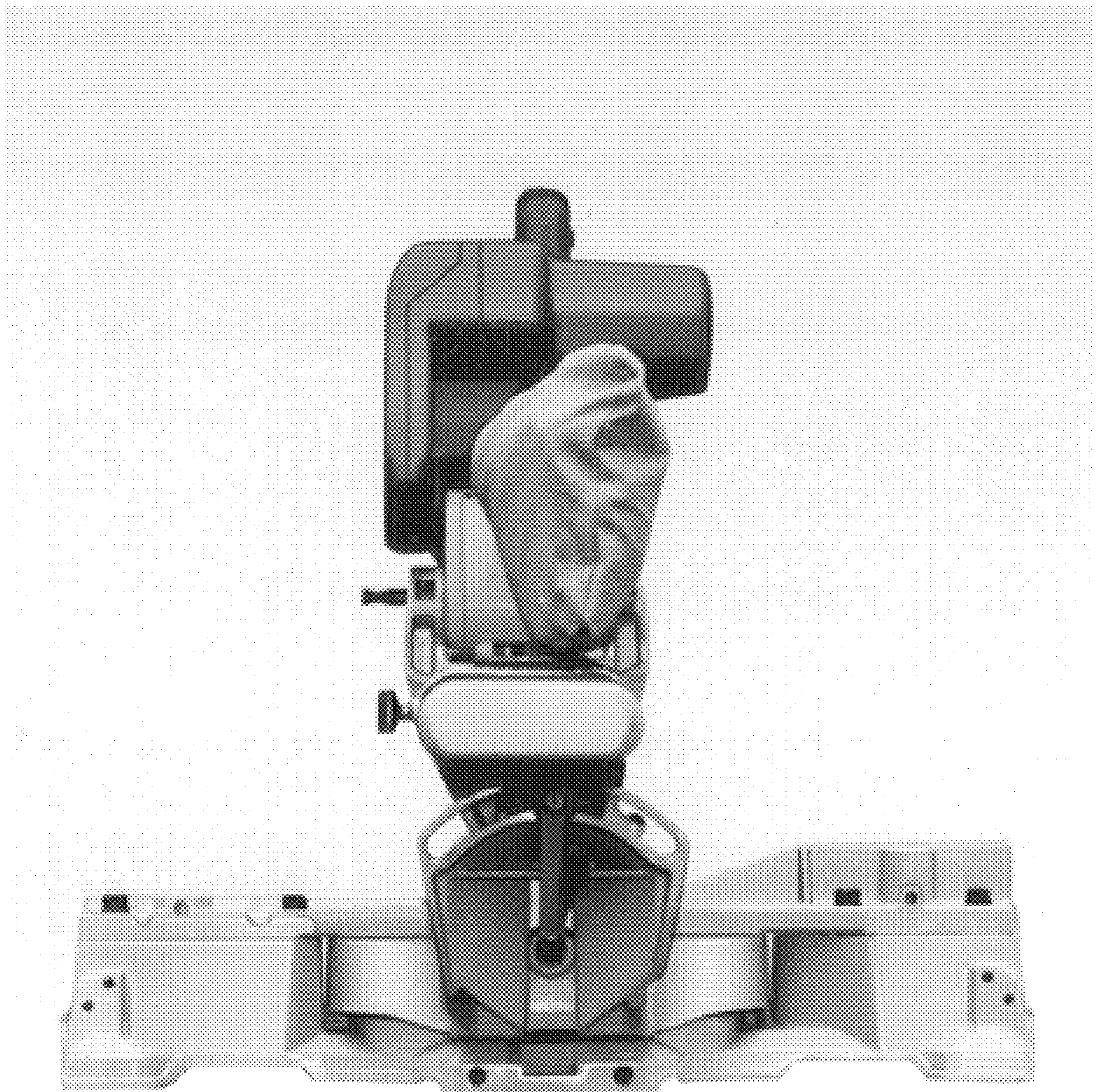


FIG. 6

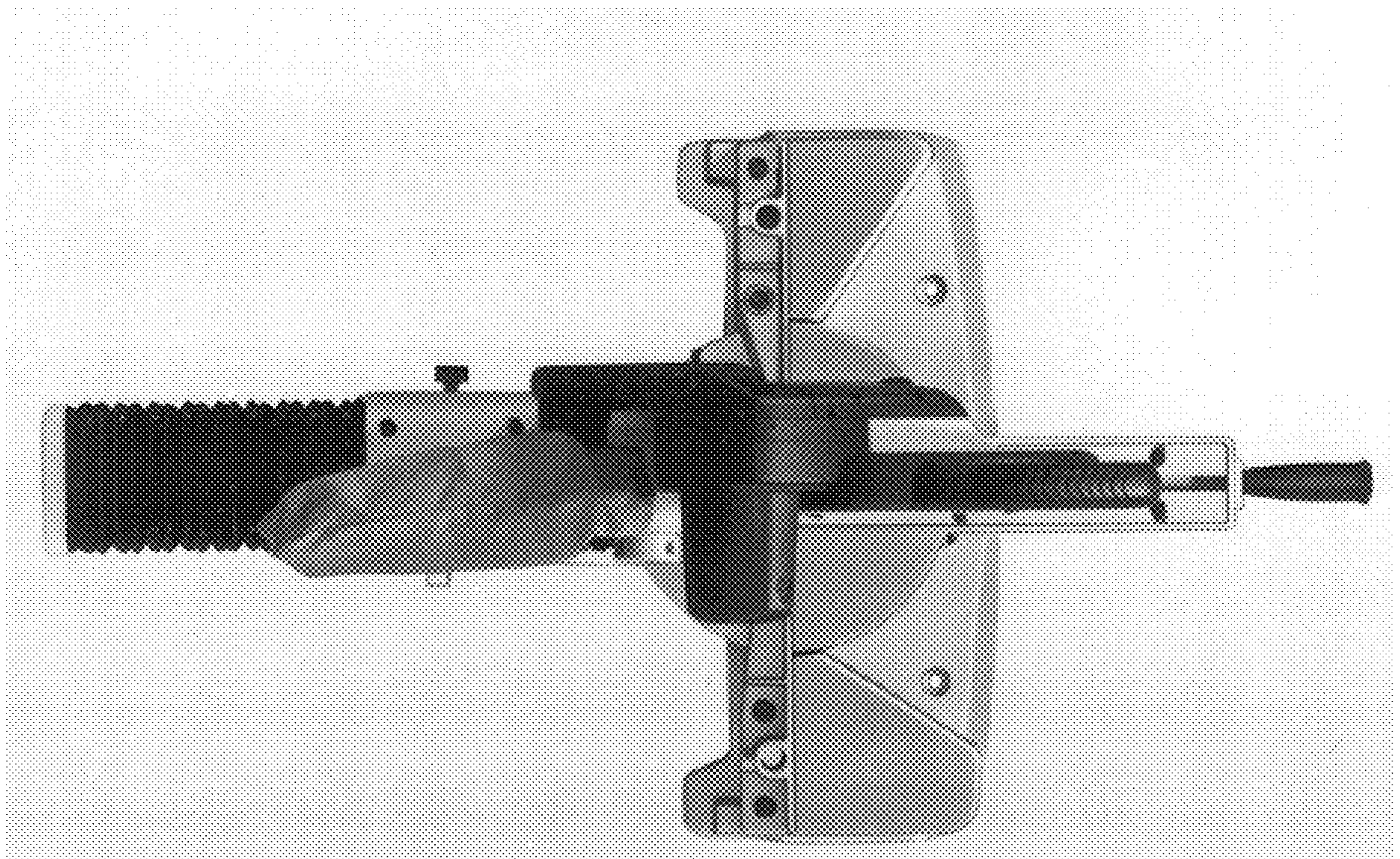


FIG. 7

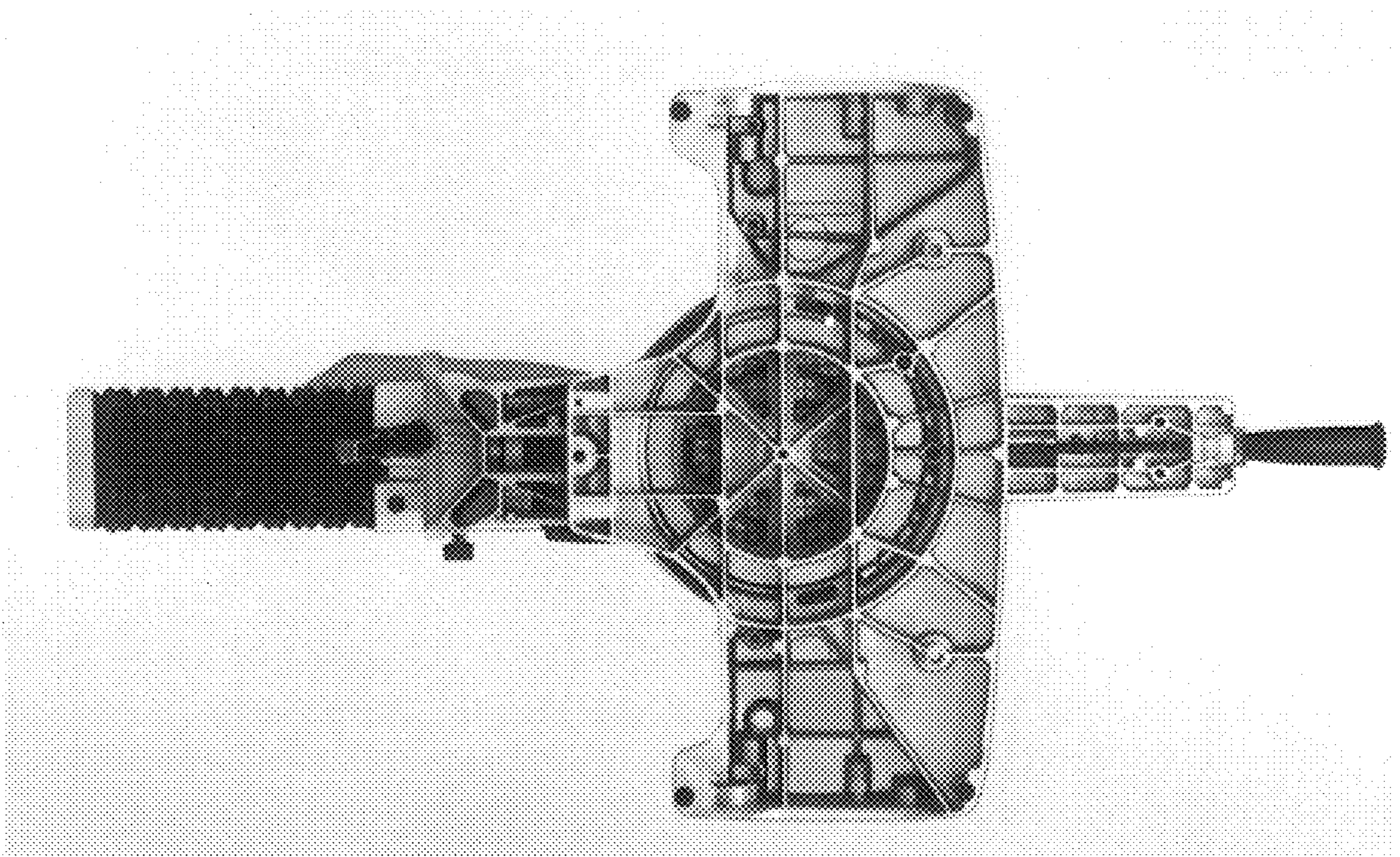


FIG. 8

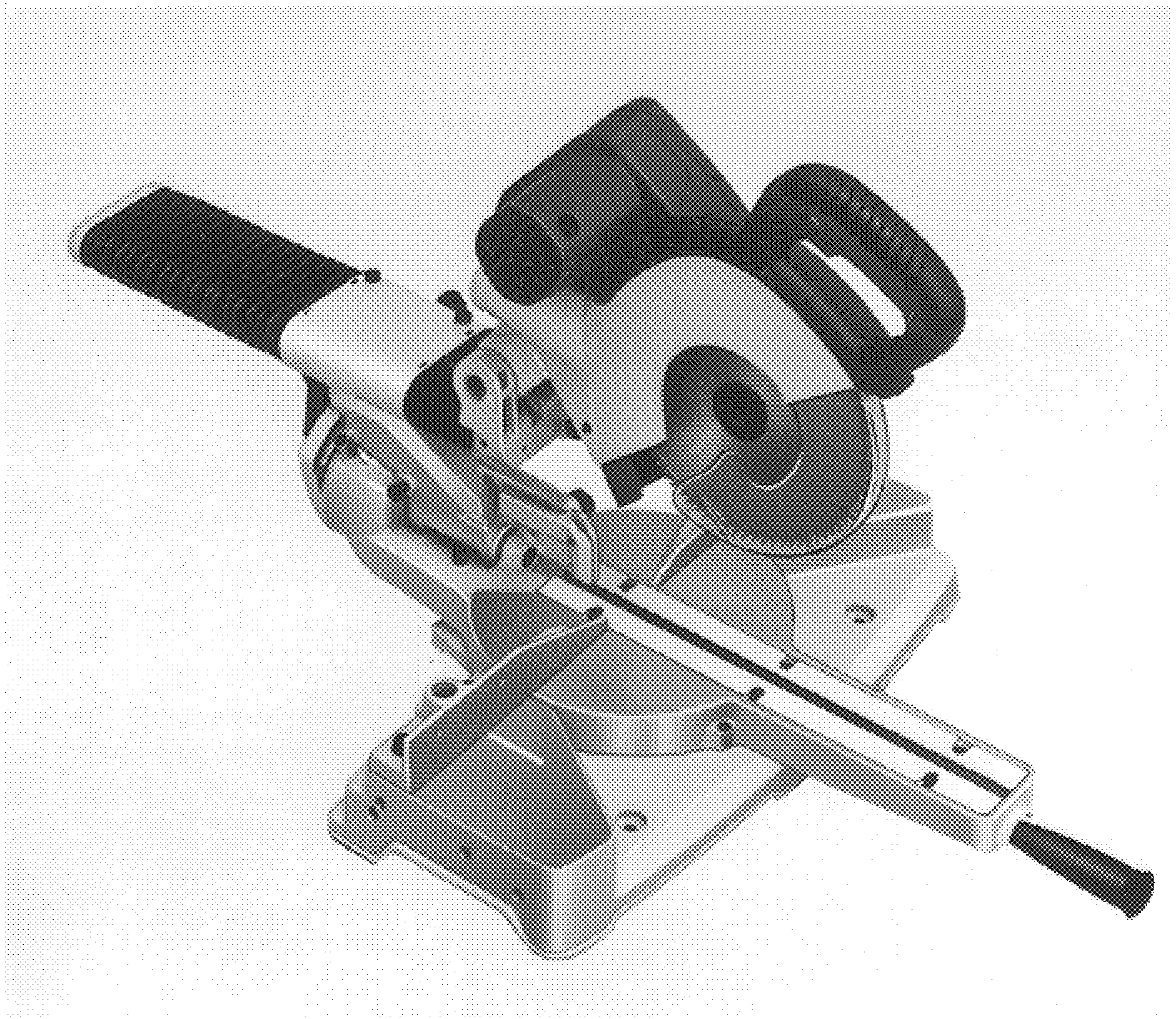


FIG. 9

