



US00D414998S

United States Patent [19] Cheldin

[11] **Patent Number: Des. 414,998**

[45] **Date of Patent: ** Oct. 12, 1999**

[54] **DUAL FUNCTION TOOL FOR STAPLE REMOVING AND LETTER OPENING**

[75] Inventor: **Erwin Cheldin**, Las Vegas, Nev.

[73] Assignee: **Erkie, Inc.**, Woodland Hills, Calif.

[**] Term: **14 Years**

[21] Appl. No.: **29/097,691**

[22] Filed: **Dec. 11, 1998**

[51] **LOC (6) Cl.** **19-02**

[52] **U.S. Cl.** **D8/48; D8/14; D8/102**

[58] **Field of Search** **D8/102, 103, 104, D8/105, 14, 48, 98; D24/145, 147; 30/DIG. 30; 254/28**

[56] **References Cited**

U.S. PATENT DOCUMENTS

| | | | |
|------------|---------|-------------------------|--------|
| D. 342,656 | 12/1993 | Hoshfeld et al. | D8/48 |
| D. 352,217 | 11/1994 | Hoshfeld et al. | D8/48 |
| D. 401,492 | 11/1998 | Joseph, Jr. | D8/98 |
| D. 403,218 | 12/1998 | Benktzon et al. | D8/48 |
| 578,038 | 3/1897 | Hesterhagen . | |
| 2,518,485 | 8/1950 | Maynard | 254/28 |
| 3,042,047 | 7/1962 | Plaskon . | |
| 3,088,204 | 5/1963 | Levitt . | |
| 3,143,800 | 8/1964 | Vizzi . | |
| 3,630,486 | 12/1971 | Foltle | 254/28 |
| 3,825,961 | 7/1974 | Klein . | |
| 3,928,878 | 12/1975 | VanHeuman . | |
| 4,670,926 | 6/1987 | Bruno | 254/28 |
| 4,819,673 | 4/1989 | McMullen | 30/28 |
| 4,921,216 | 5/1990 | Krulich | 254/28 |
| 5,063,666 | 11/1991 | Tsay et al. | 30/28 |
| 5,085,404 | 2/1992 | Thieleke et al. | 254/28 |
| 5,090,663 | 2/1992 | Crutchfield et al. | 254/28 |
| 5,292,106 | 3/1994 | Li | 254/28 |

| | | | |
|-----------|---------|---------------|--------|
| 5,354,033 | 10/1994 | Cheldin | 254/28 |
| 5,513,833 | 5/1996 | Kirk | 254/28 |
| 5,720,062 | 2/1998 | Vaught | 7/160 |
| 5,803,435 | 9/1998 | Hsu | 254/28 |

OTHER PUBLICATIONS

Industrial Equipment News p. 71 (Staple remover), Aug. 1960.

Primary Examiner—Adir Aronovich
Attorney, Agent, or Firm—Kelly Bauersfeld; Lowry & Kelley, LLP

[57] **CLAIM**

The ornamental design for a dual function tool for staple removing and letter opening, as shown and described.

DESCRIPTION

FIG. 1 is a top, front and right side perspective view of a dual function tool for staple removing and letter opening, embodying my new design, wherein:

FIG. 2 is a front elevational view thereof;

FIG. 3 is a rear elevational view thereof;

FIG. 4 is a right side elevational view thereof;

FIG. 5 is a left side elevational view thereof;

FIG. 6 is a top plan view thereof; and

FIG. 7 is a bottom plan view thereof;

FIG. 8 is a top, front and right side perspective view of a second embodiment of the dual function tool for staple removing and letter opening, embodying my new design, wherein:

FIG. 9 is a front elevational view thereof;

FIG. 10 is a rear elevational view thereof;

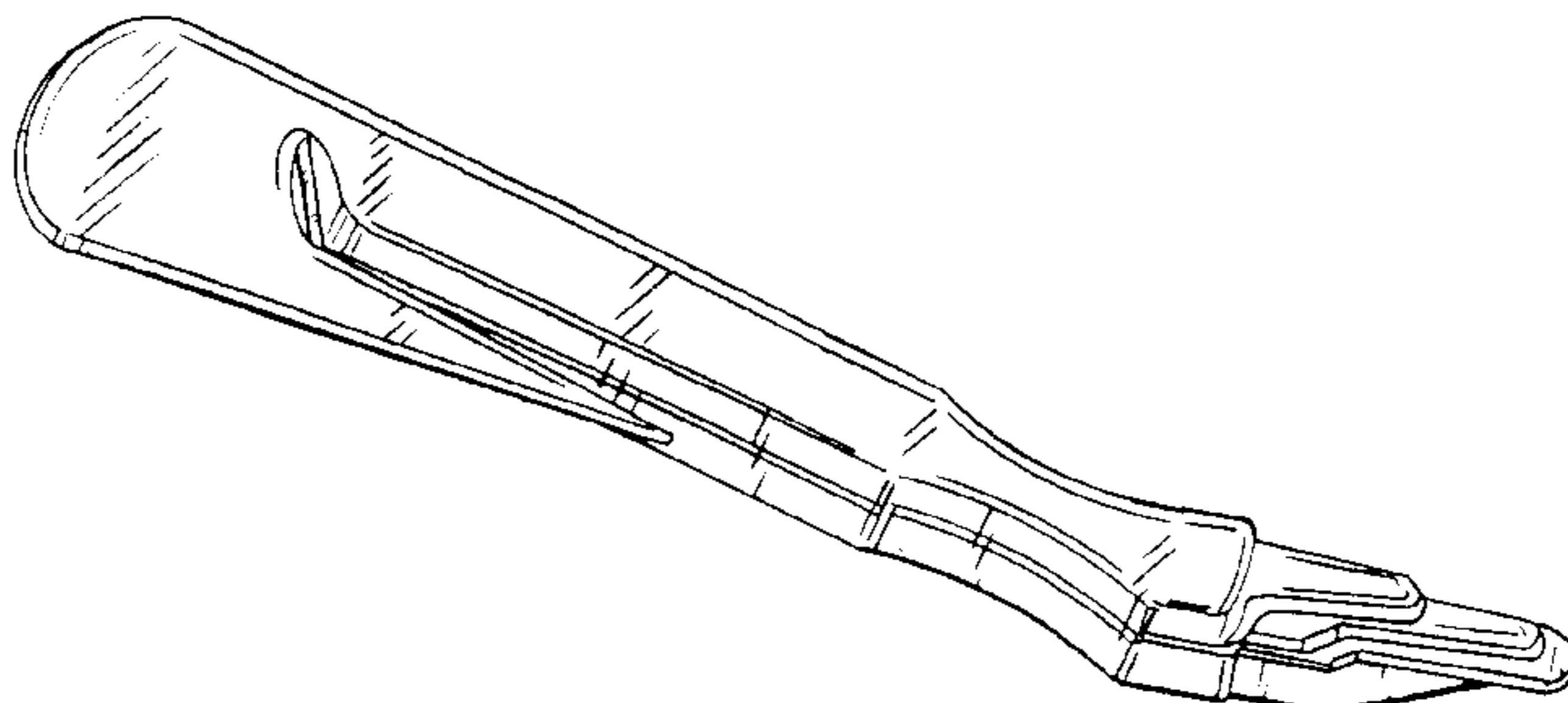
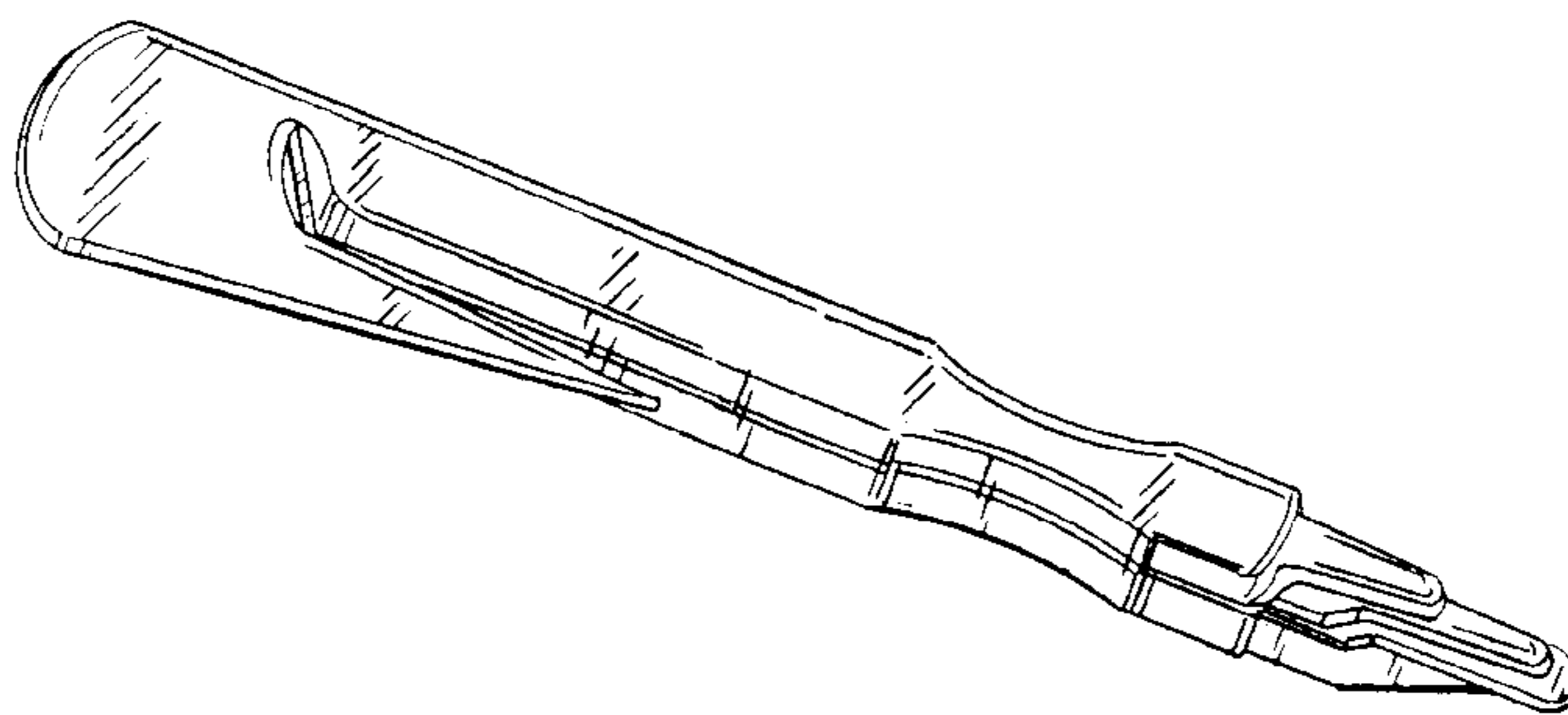
FIG. 11 is a right side elevational view thereof;

FIG. 12 is a left side elevational view thereof;

FIG. 13 is a top plan view thereof; and,

FIG. 14 is a bottom plan view thereof.

1 Claim, 4 Drawing Sheets



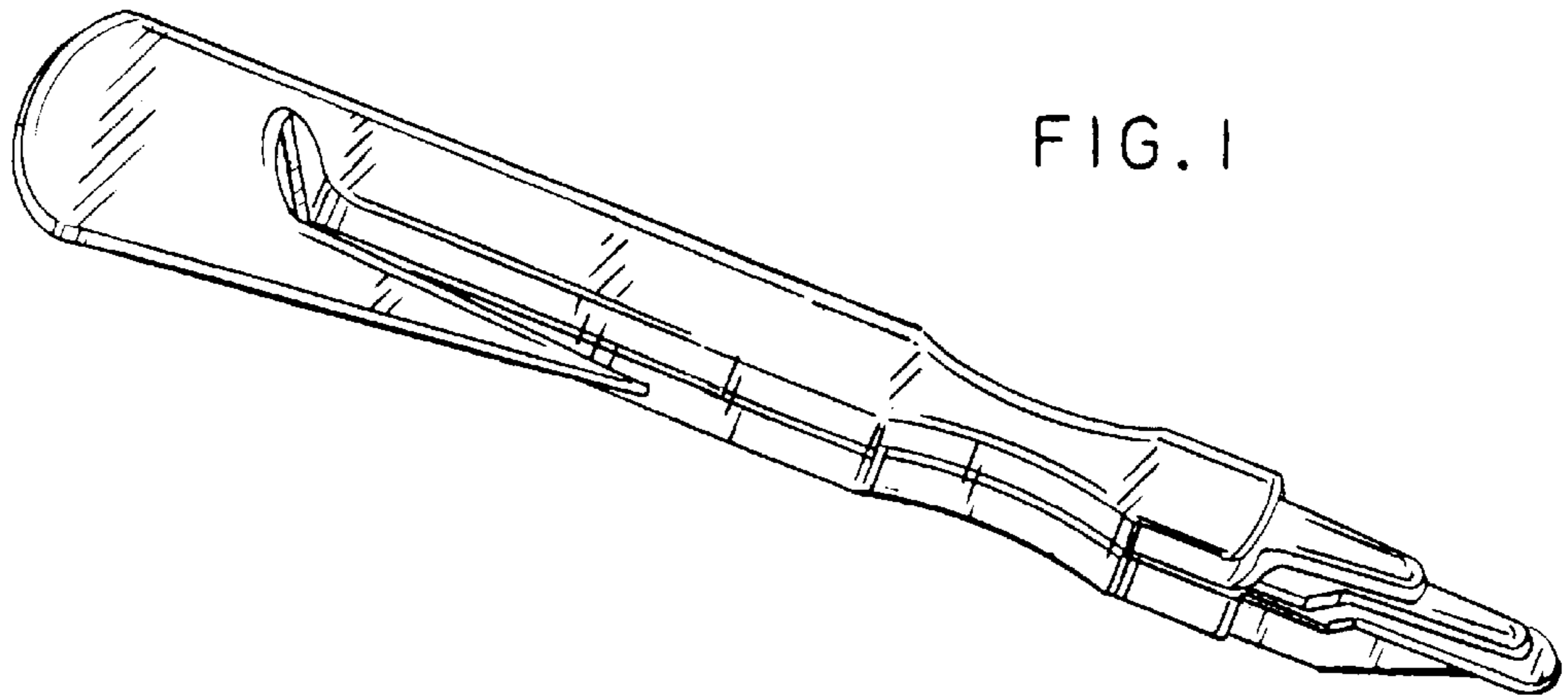


FIG. 1

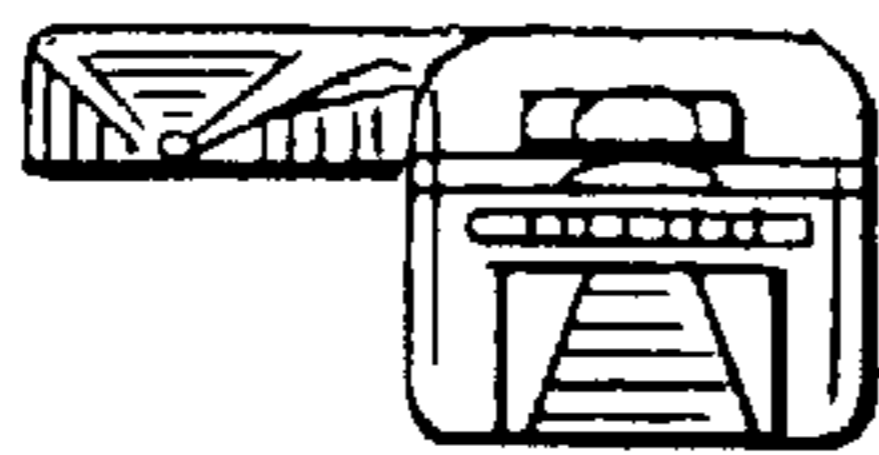


FIG. 2

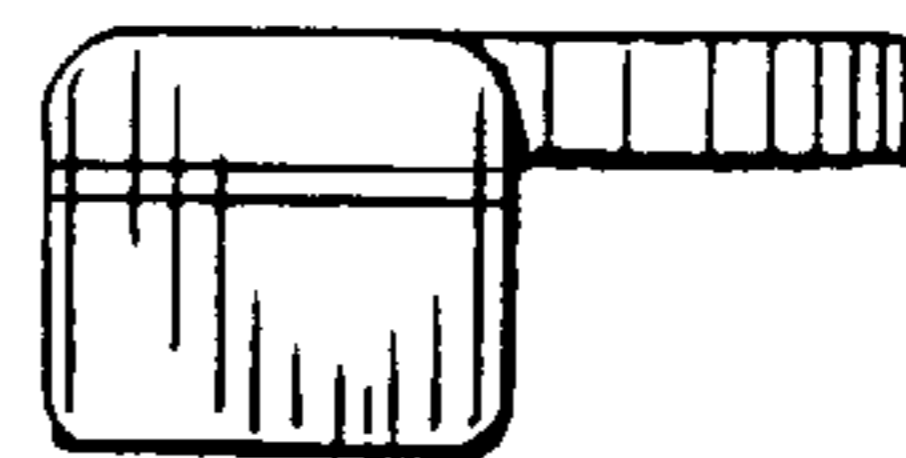


FIG. 3

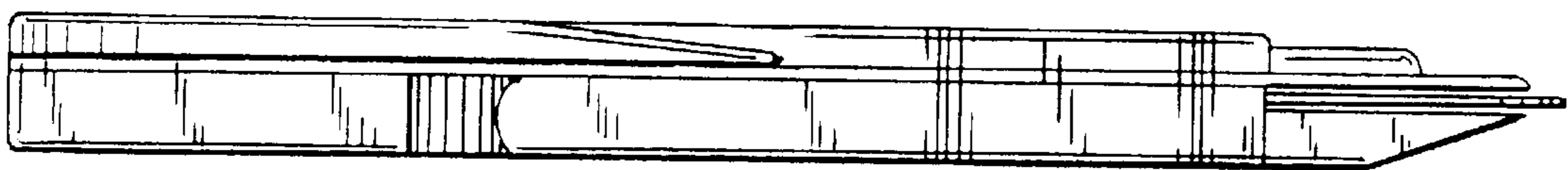


FIG. 4



FIG. 5

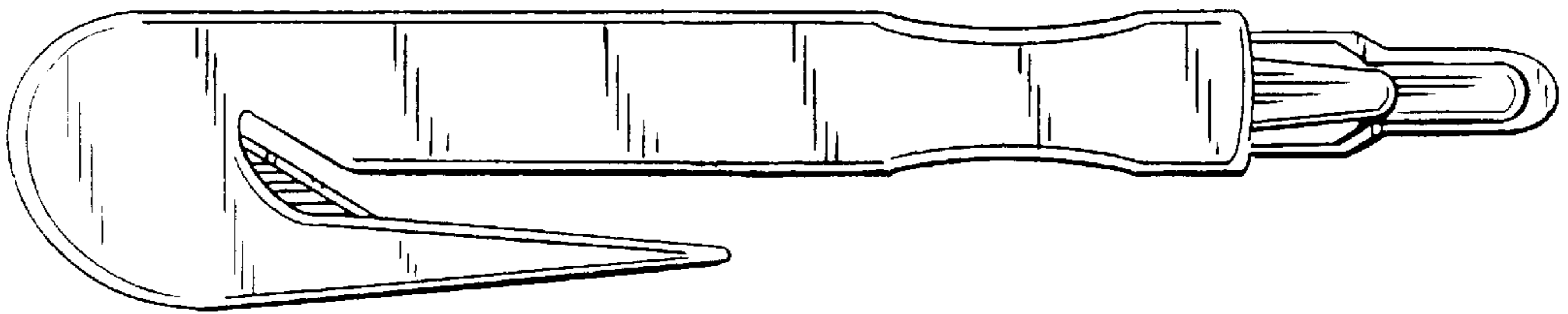


FIG. 6

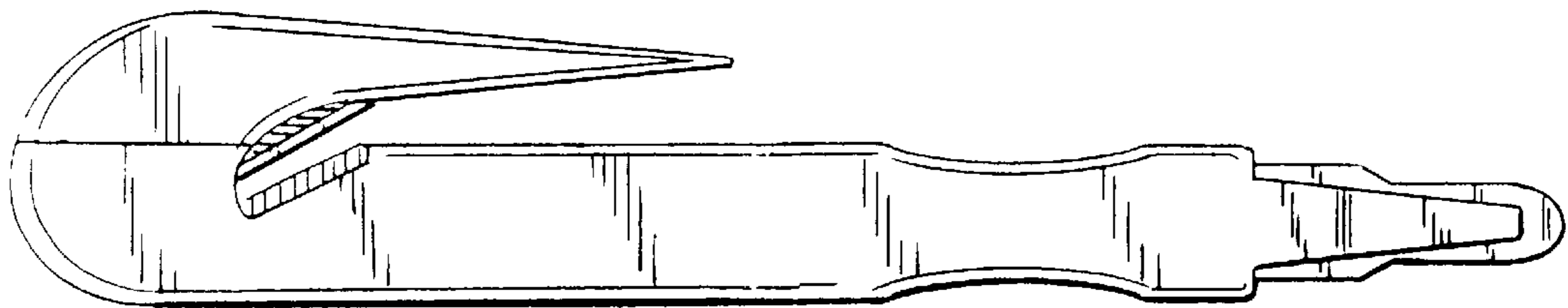


FIG. 7

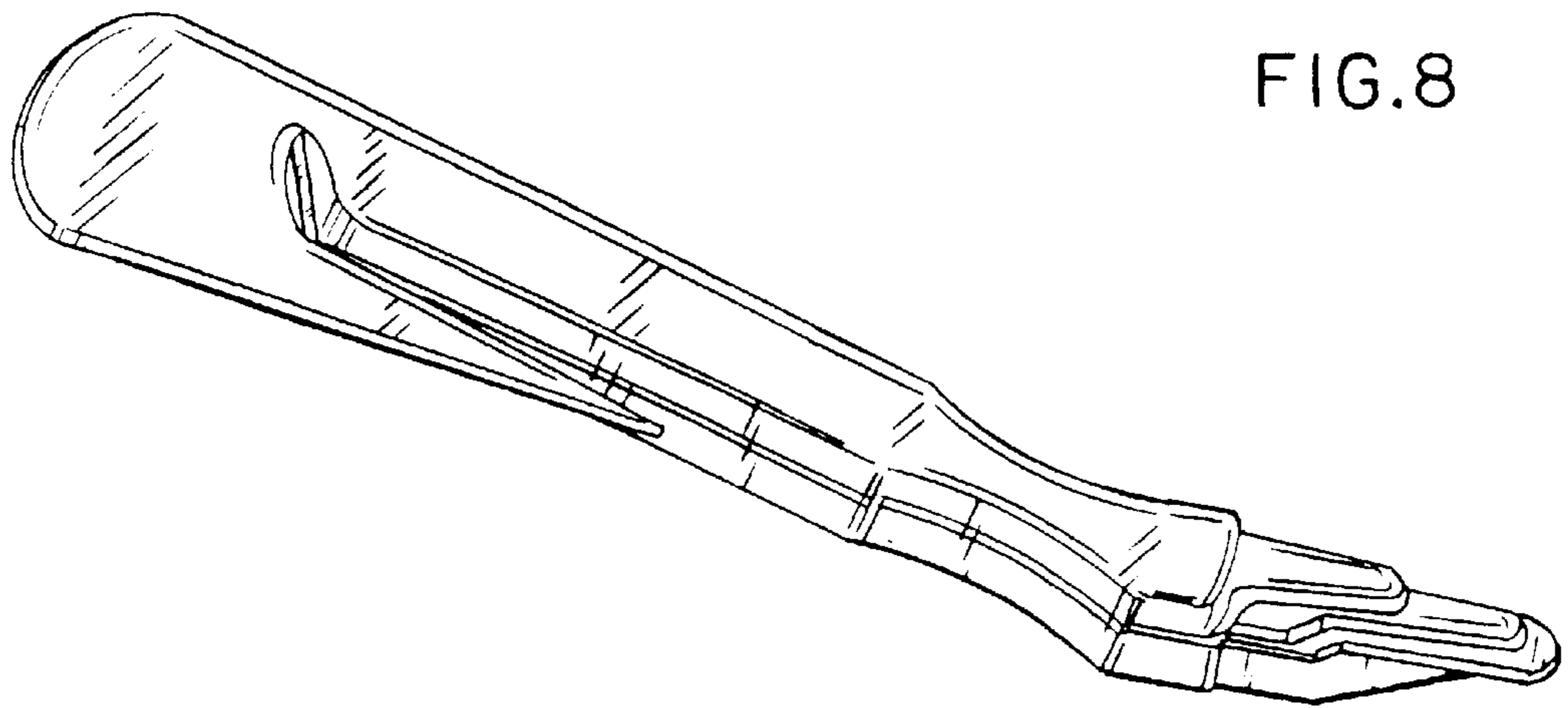


FIG. 8

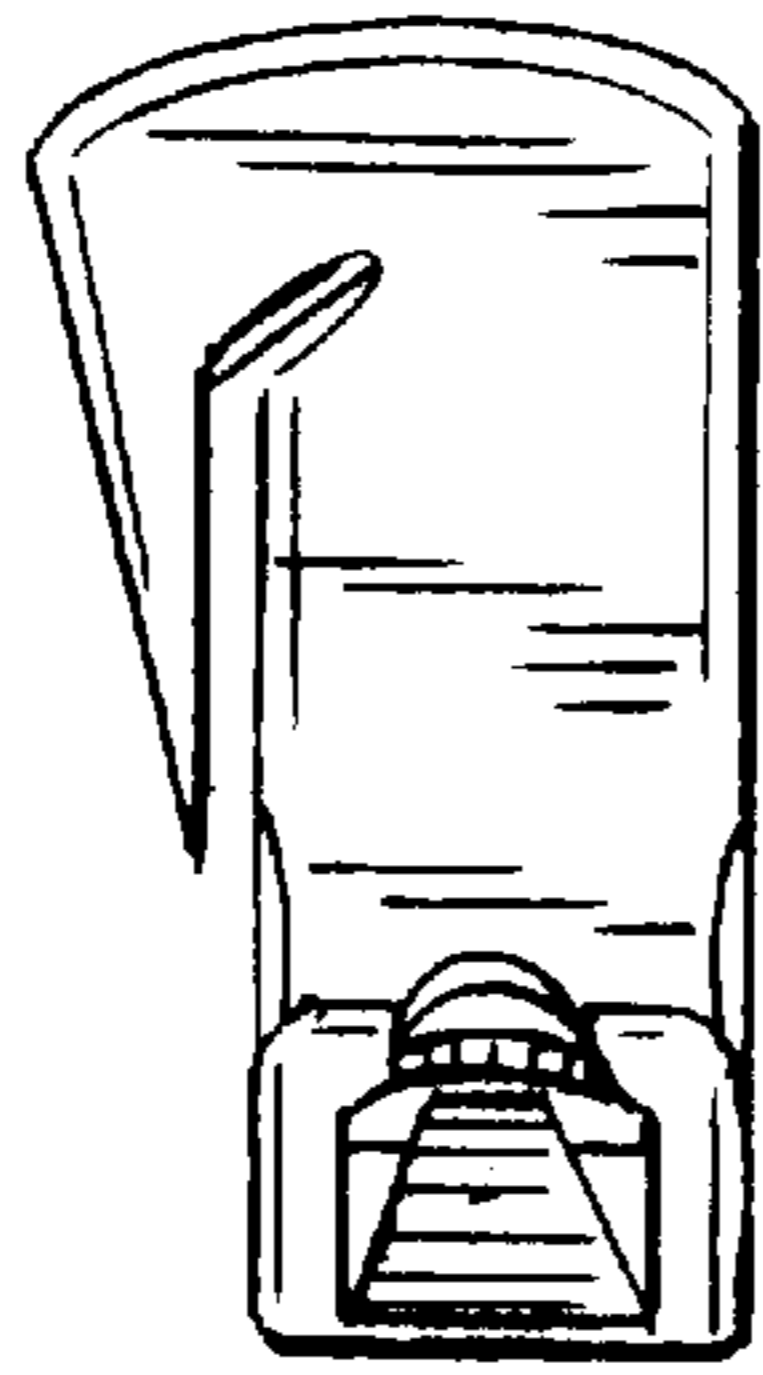


FIG. 9

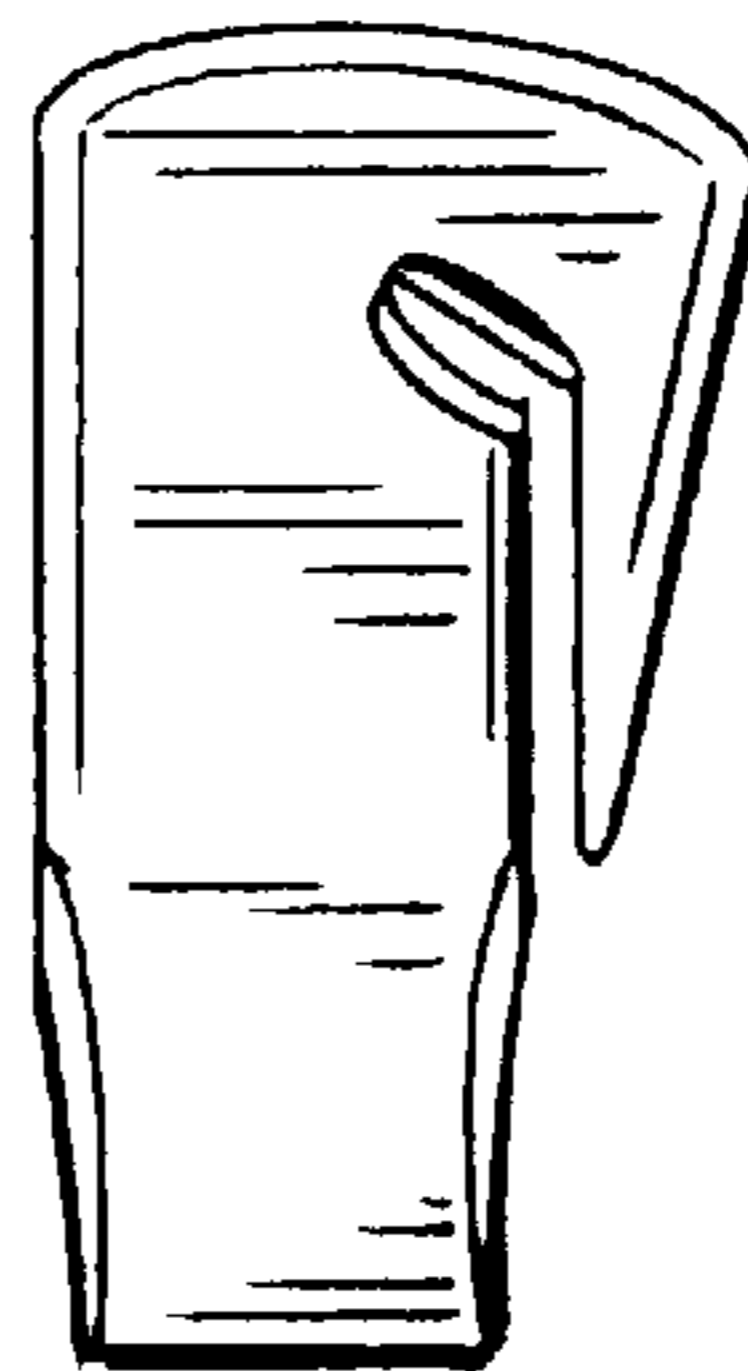


FIG. 10

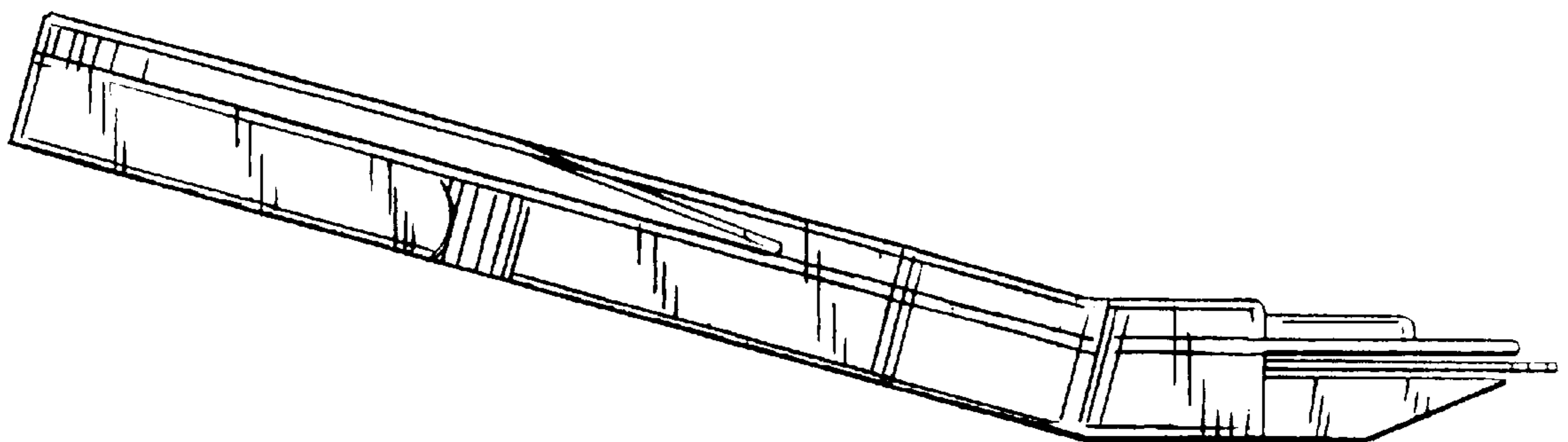


FIG. 11

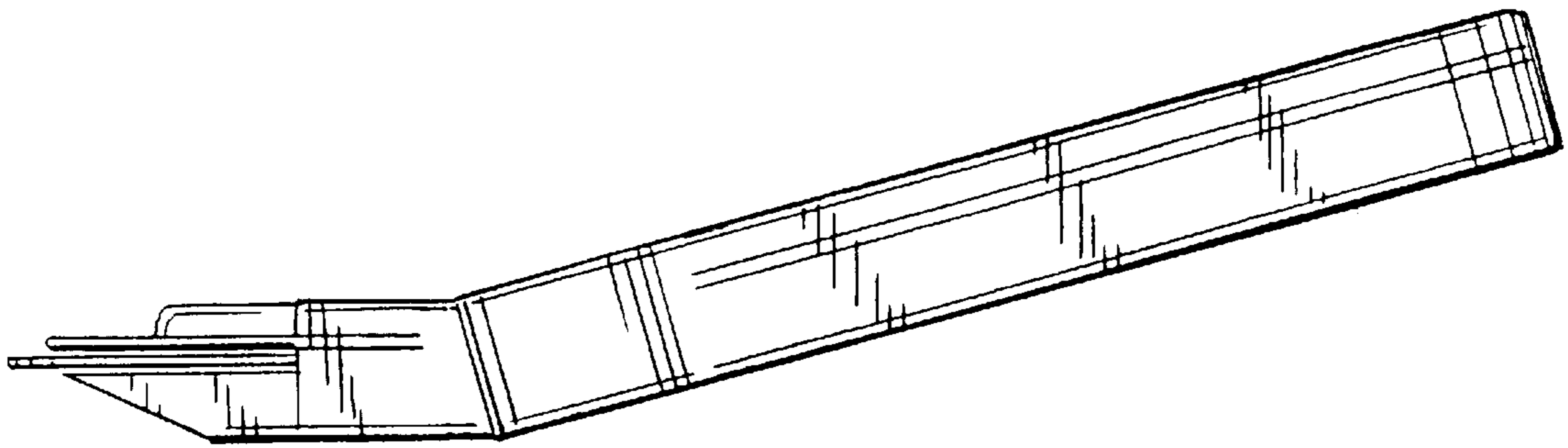


FIG. 12

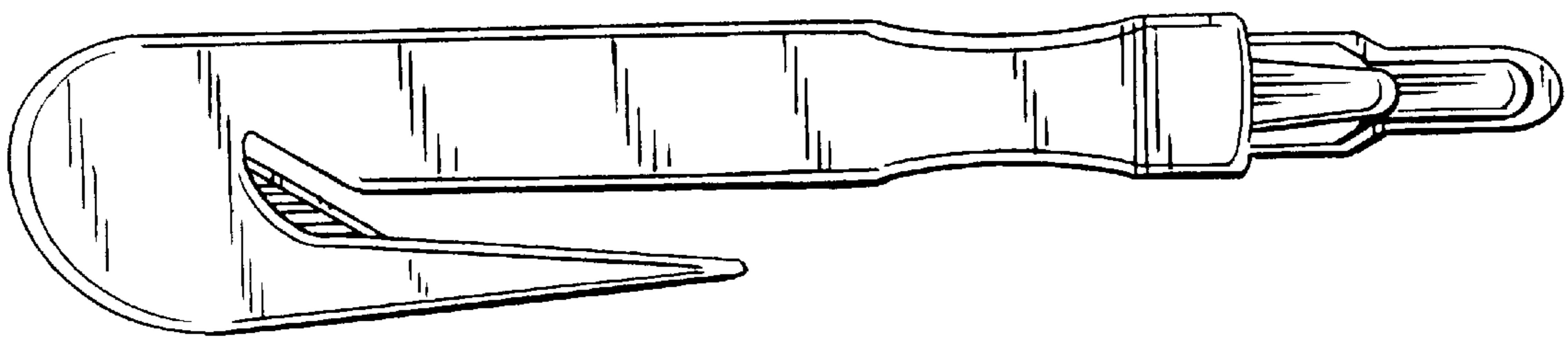


FIG. 13

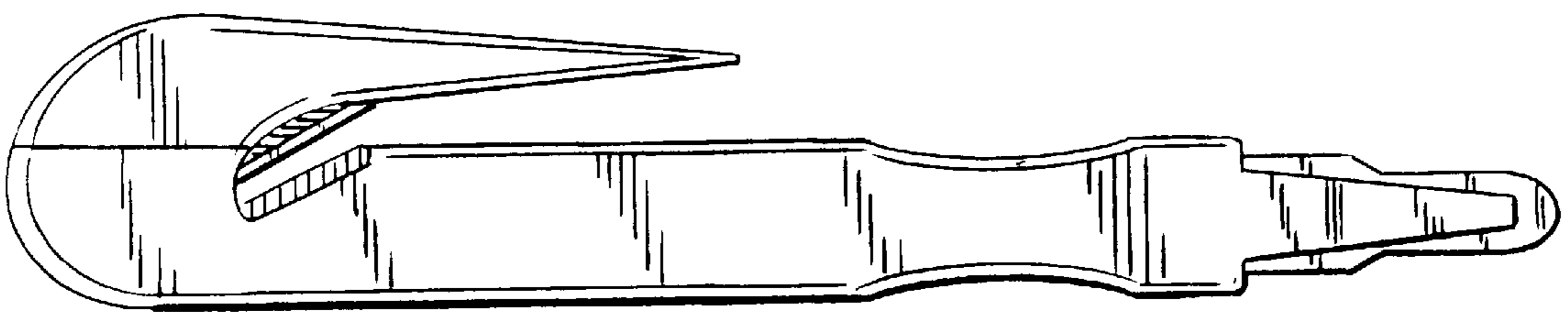


FIG. 14