



US00D414987S

# United States Patent [19]

Moffett, III et al.

[11] Patent Number: Des. 414,987

[45] Date of Patent: \*\* Oct. 12, 1999

[54] COMBINED COOLER AND STEREO

[76] Inventors: Noah Moffett, III, 1250 Dundale Ave., Norfolk, Va. 23513; Andrew Moore, 1202 Rice St., Chesapeake, Va. 23324

[\*\*] Term: 14 Years

[21] Appl. No.: 29/061,725

[22] Filed: Oct. 29, 1996

[51] LOC (6) Cl. .... 07-06

[52] U.S. Cl. .... D7/605

[58] Field of Search ..... D7/605-608; D15/79, D15/81, 83; D34/12, 24, 19, 25; D14/168; 62/457.1, 457.7, 371; 220/410-412; 280/43.1, 43.24, 651, 652, 645

[56] **References Cited**

U.S. PATENT DOCUMENTS

- D. 340,620 10/1993 Peters ..... D7/605
- D. 355,099 2/1995 Dell ..... D7/605

- D. 367,404 2/1996 Scheffer et al. .... D7/605
- 3,591,194 7/1971 Vega ..... 62/457.7 X
- 4,846,493 7/1989 Mason ..... 280/43.1 X
- 5,249,438 10/1993 Rhaney et al. .... 62/457.7
- 5,259,215 11/1993 Rocca ..... 62/371

Primary Examiner—Terry A. Wallace

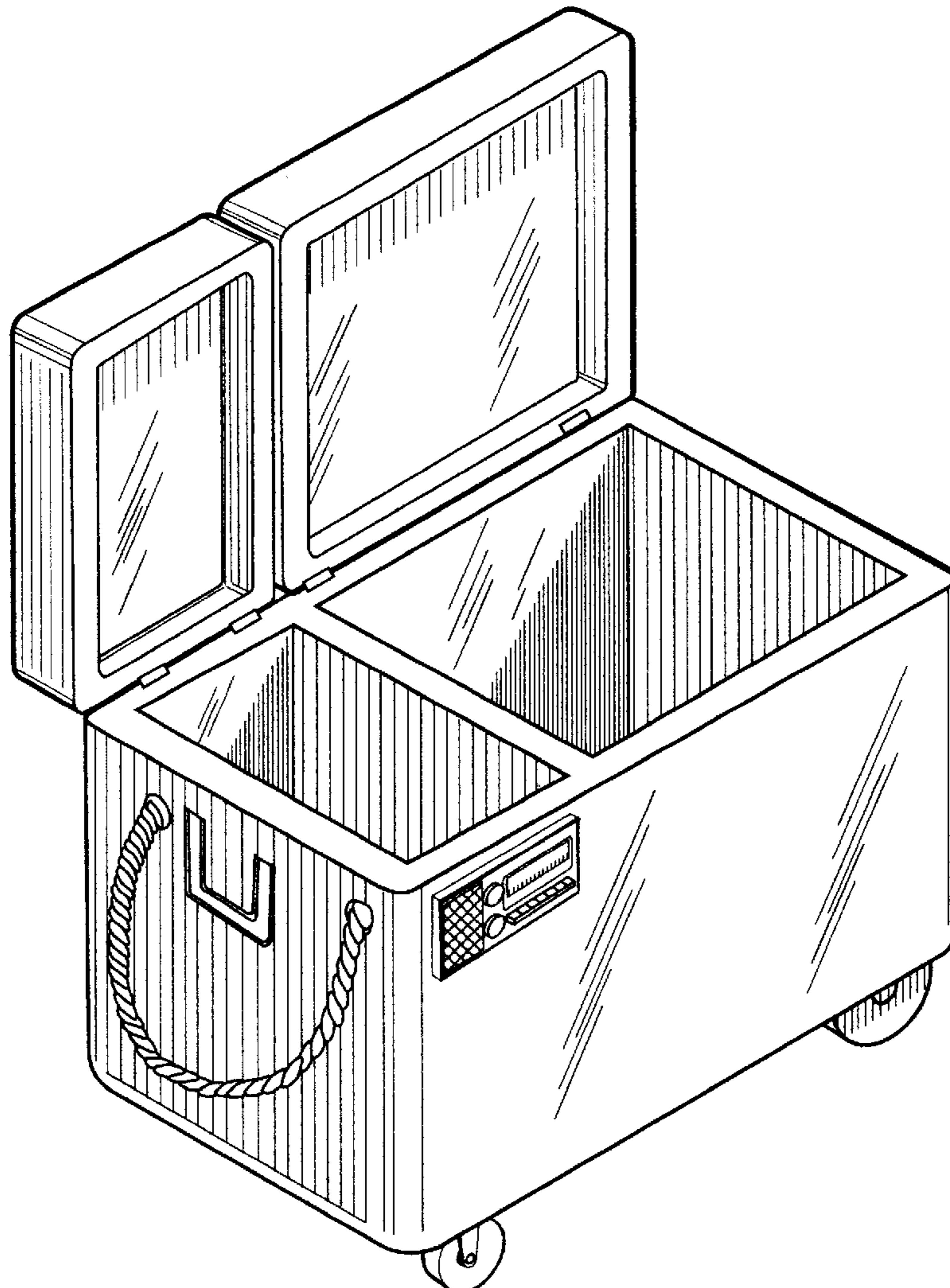
[57] **CLAIM**

The ornamental design for a combined cooler and stereo, as shown and described.

**DESCRIPTION**

FIG. 1 is a perspective view of a combined cooler and stereo; FIG. 2 is a right side view thereof with the lid in the closed position; FIG. 3 is a left side view of FIG. 2; FIG. 4 is a front view of FIG. 2; FIG. 5 is a rear view of FIG. 2; FIG. 6 is a top view of FIG. 2; and, FIG. 7 is a bottom view of FIG. 2.

1 Claim, 3 Drawing Sheets



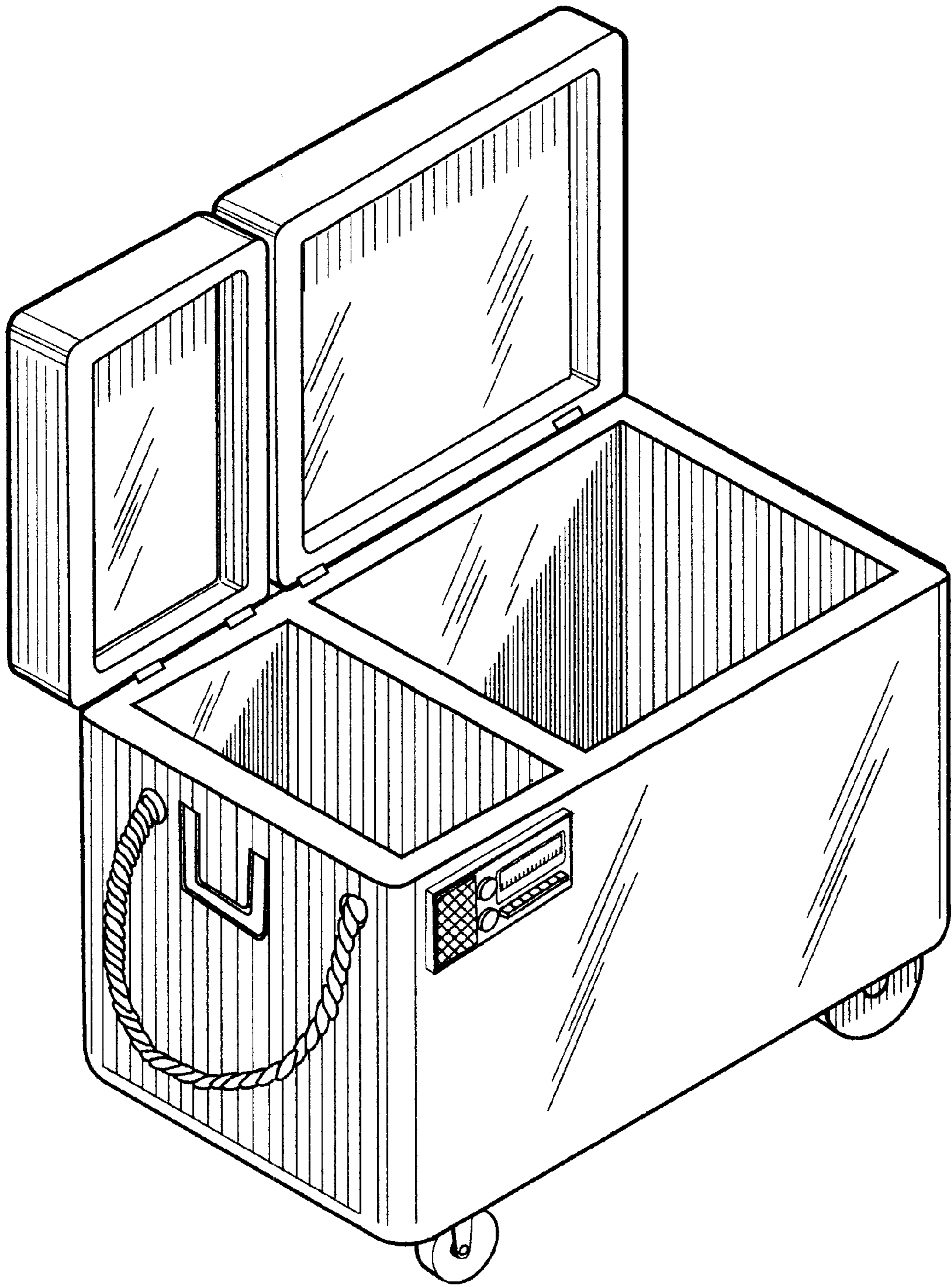


FIG. 1

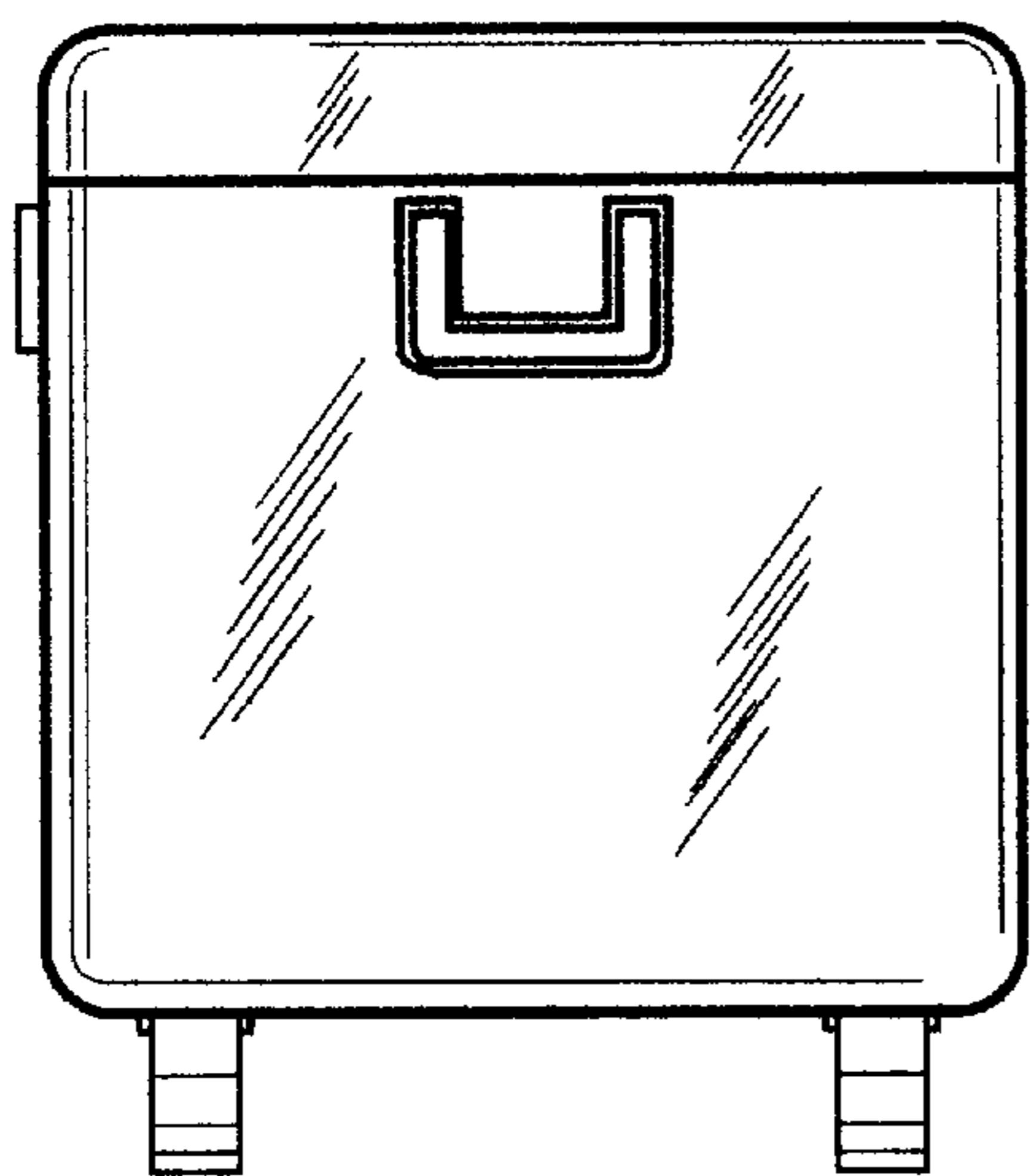


FIG. 2

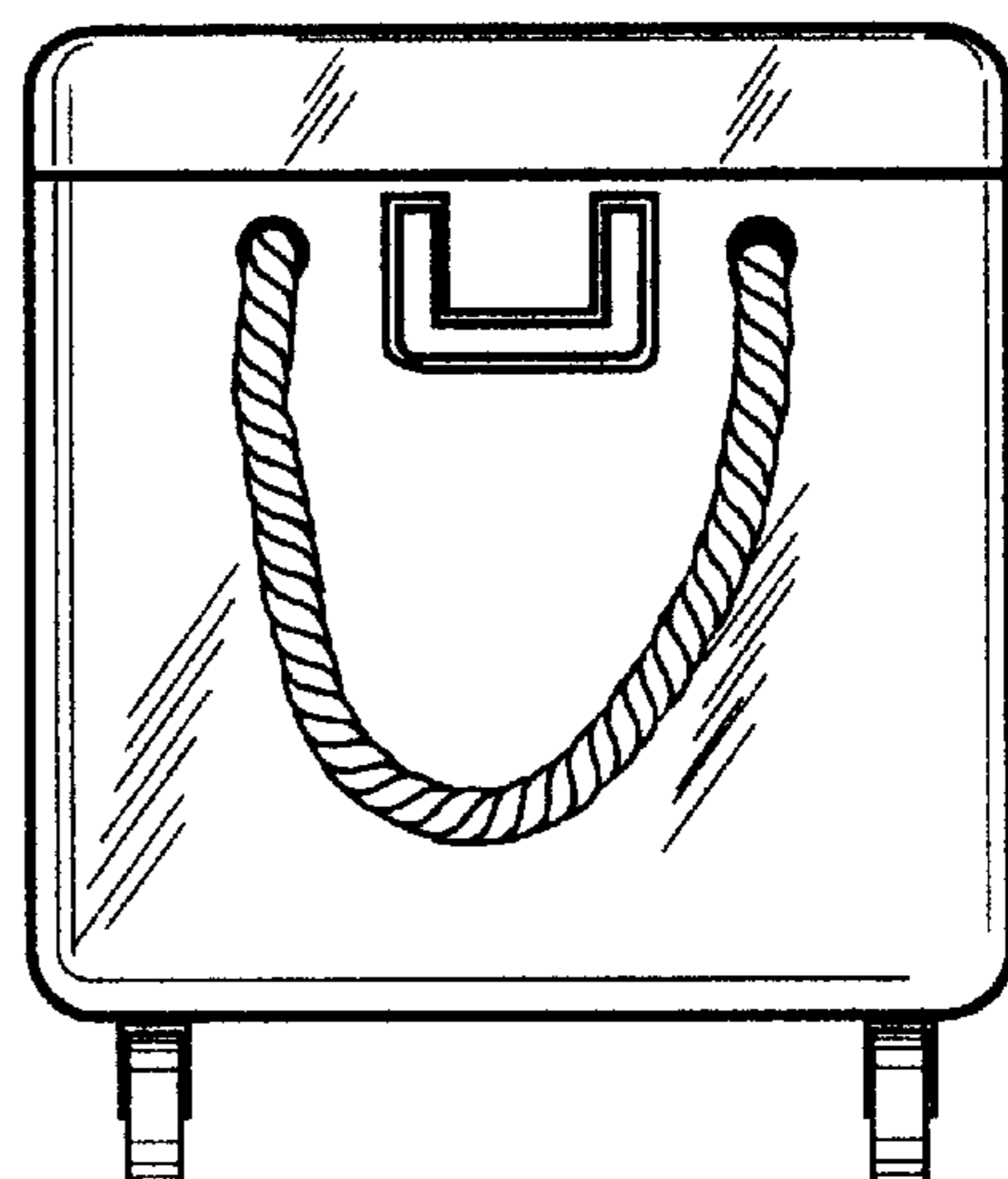


FIG. 3

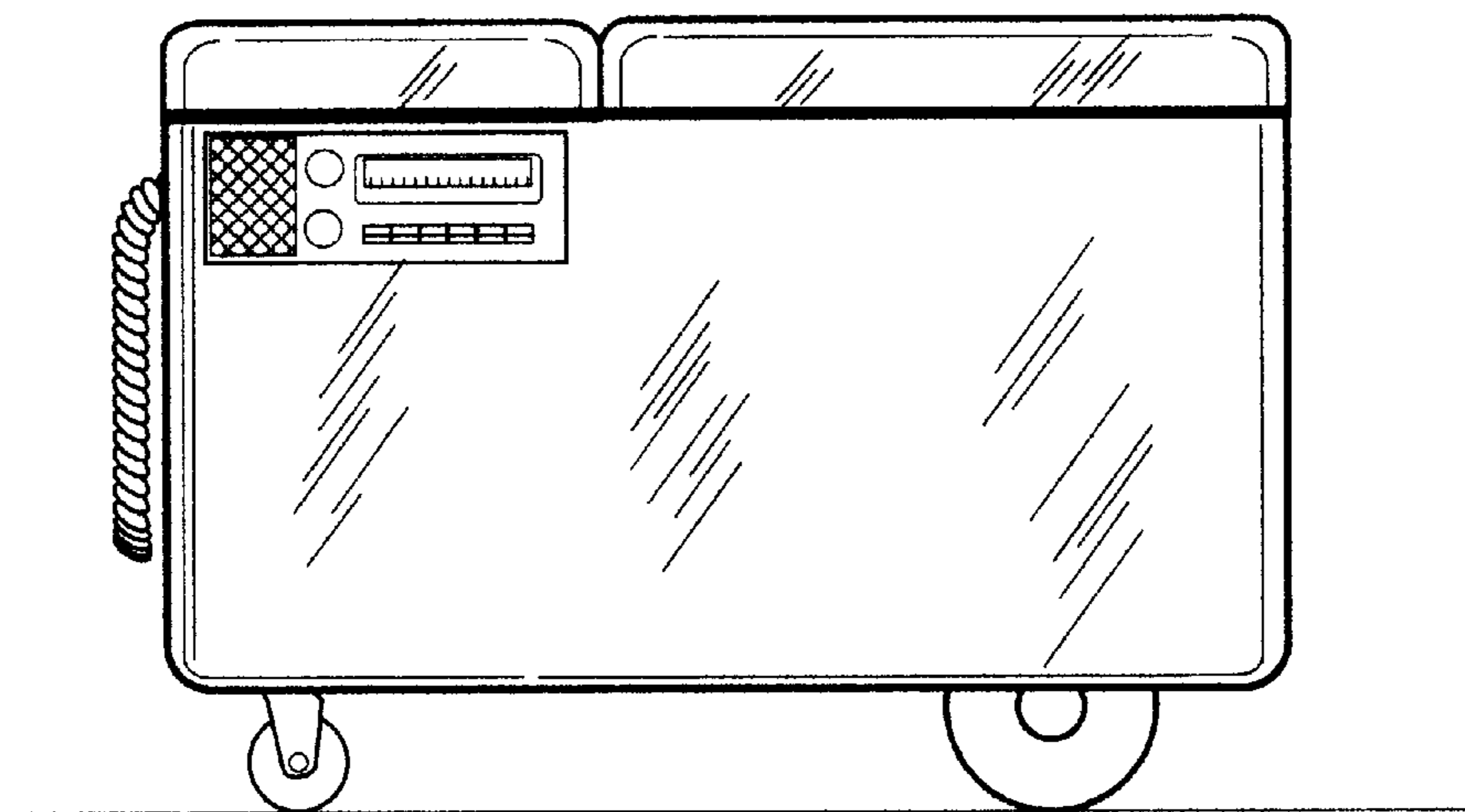


FIG. 4

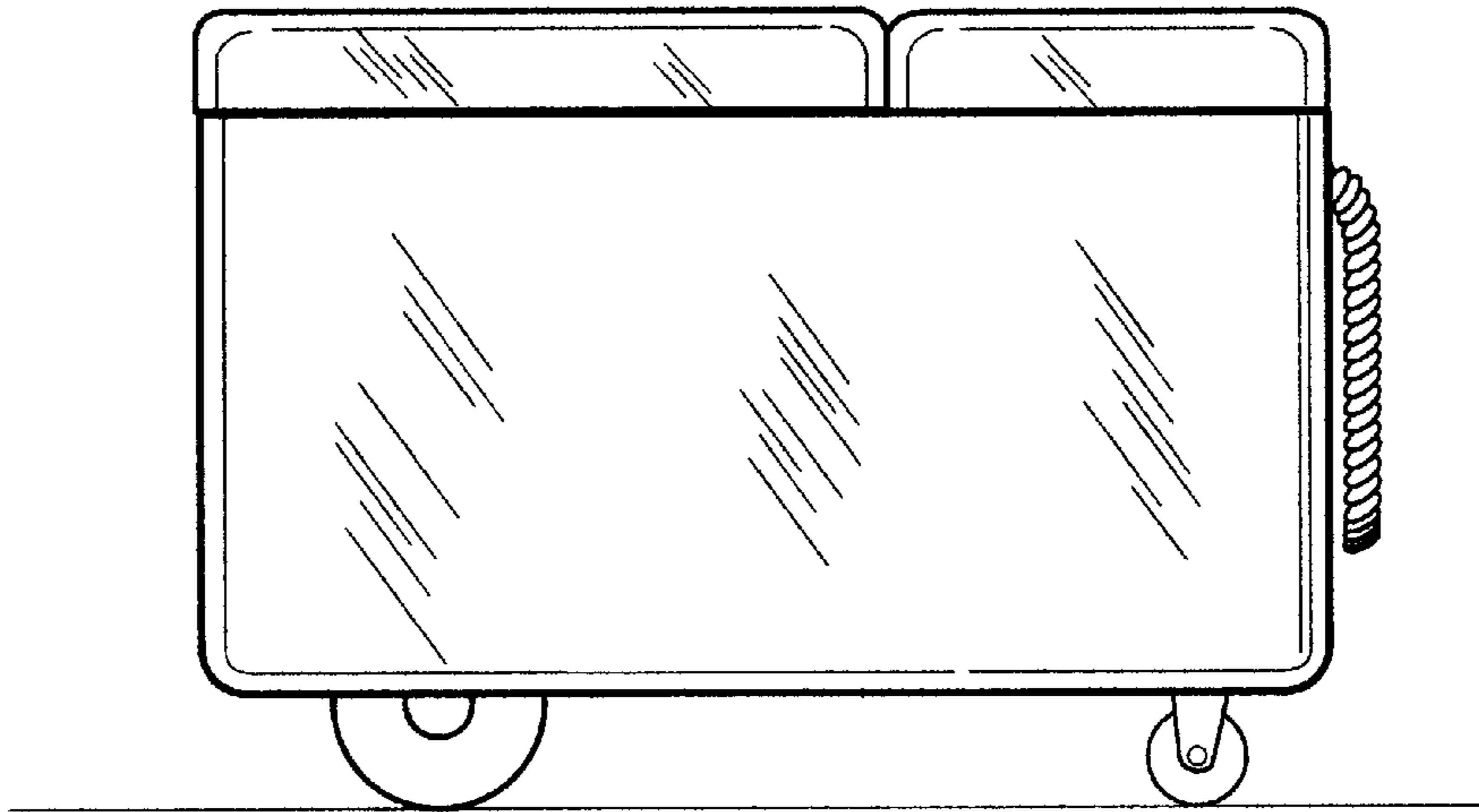


FIG. 5

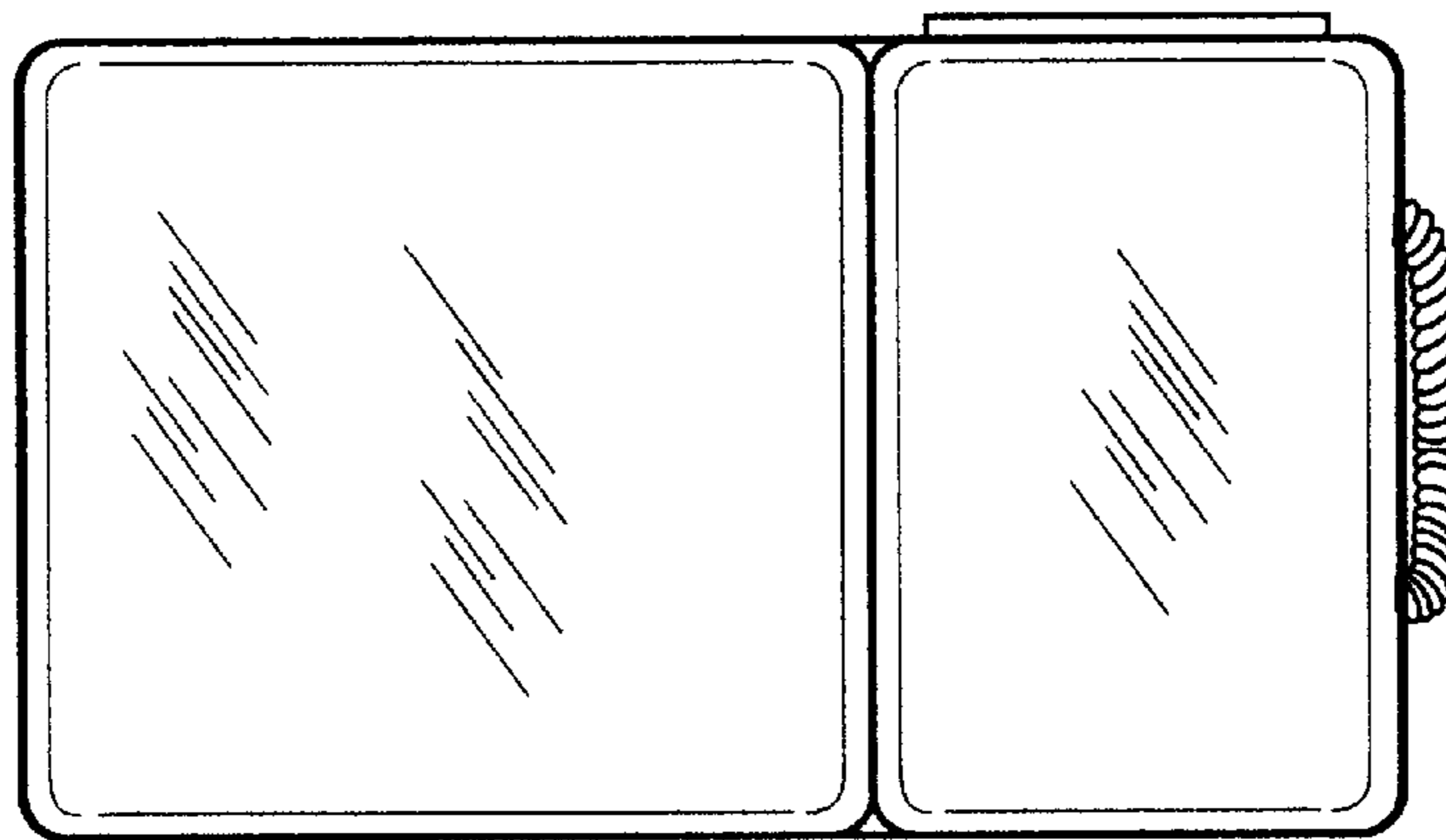


FIG. 6

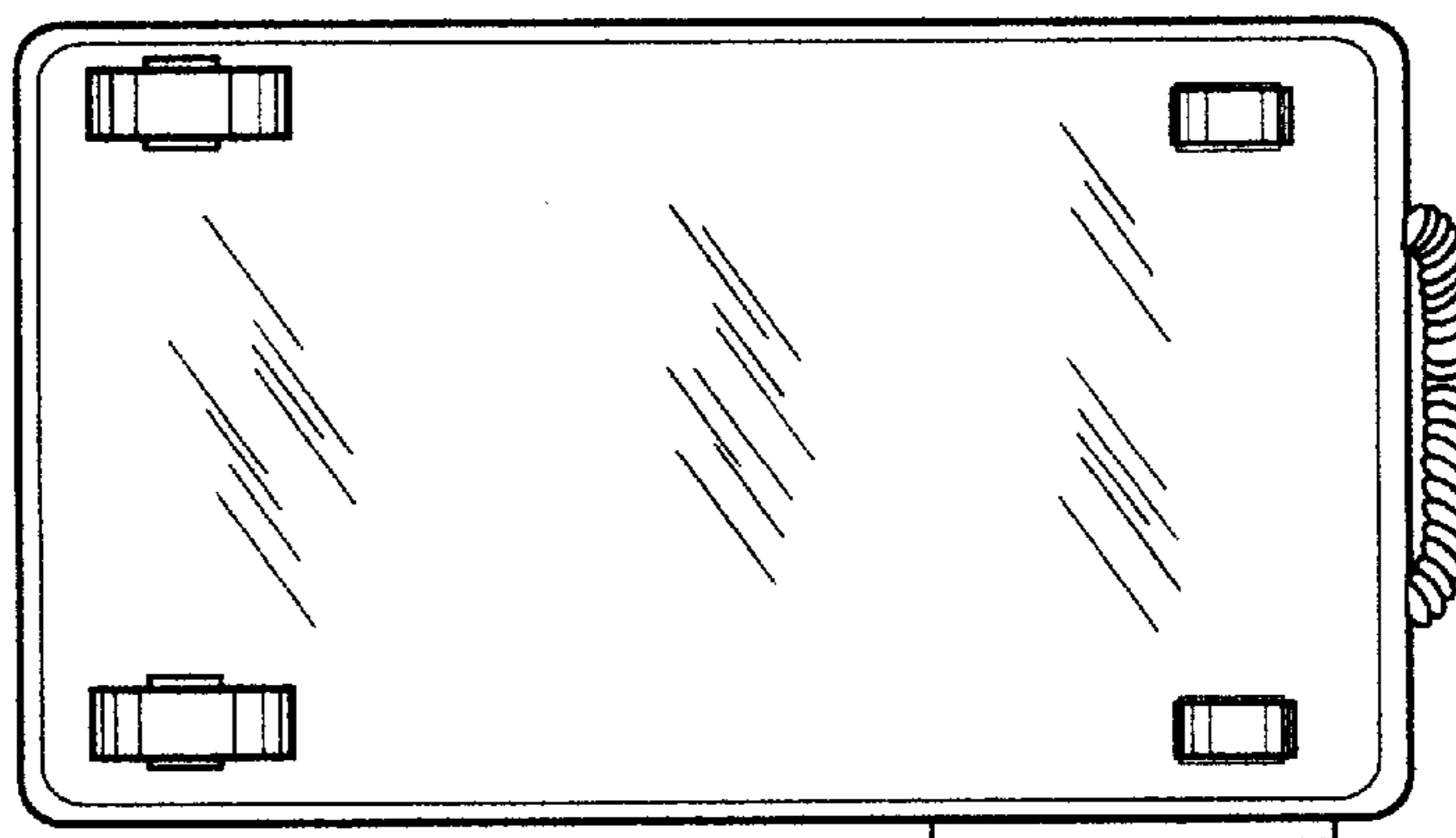


FIG. 7