



US00D414984S

# United States Patent [19] Joergensen

[11] **Patent Number: Des. 414,984**

[45] **Date of Patent: \*\* Oct. 12, 1999**

[54] **LID FOR A NON-ELECTRIC COFFEE MAKER**

[75] Inventor: **Carsten Joergensen**, Kriens, Switzerland

[73] Assignee: **PI-Design AG**, Triengen, Switzerland

[\*\*] Term: **14 Years**

[21] Appl. No.: **29/077,616**

[22] Filed: **Oct. 7, 1997**

[30] **Foreign Application Priority Data**

Apr. 23, 1997 [DK] Denmark ..... MA 0434 1997

[51] **LOC (6) Cl.** ..... **07-99**

[52] **U.S. Cl.** ..... **D7/392; D7/392.1**

[58] **Field of Search** ..... D7/391, 392, 392.1, D7/317, 321, 612, 538; D9/443, 454; 220/903, 553, 369; 222/144.5; 99/321

[56] **References Cited**

**U.S. PATENT DOCUMENTS**

D. 155,288	9/1949	Hellberg	.....	D7/391
D. 243,741	3/1977	Hauenstein	.....	D7/392
D. 249,624	9/1978	Solomon	.....	D7/391
D. 328,546	8/1992	Unger	.....	D7/317
D. 347,549	6/1994	Ament et al.	.....	D7/392
D. 352,212	11/1994	Burton	.....	D7/317 X
362,105	5/1887	Newcomb	.....	99/321

D. 381,238	7/1997	Joergensen	.....	D7/319
944,865	12/1909	Houck	.....	99/321
3,814,004	6/1974	Thornton	.....	99/321 X
3,937,359	2/1976	Stockton, Jr.	.....	220/369
5,678,472	10/1997	Millman	.....	99/321

*Primary Examiner*—M. N. Pandozzi  
*Attorney, Agent, or Firm*—Nath & Associates; Gary M. Nath

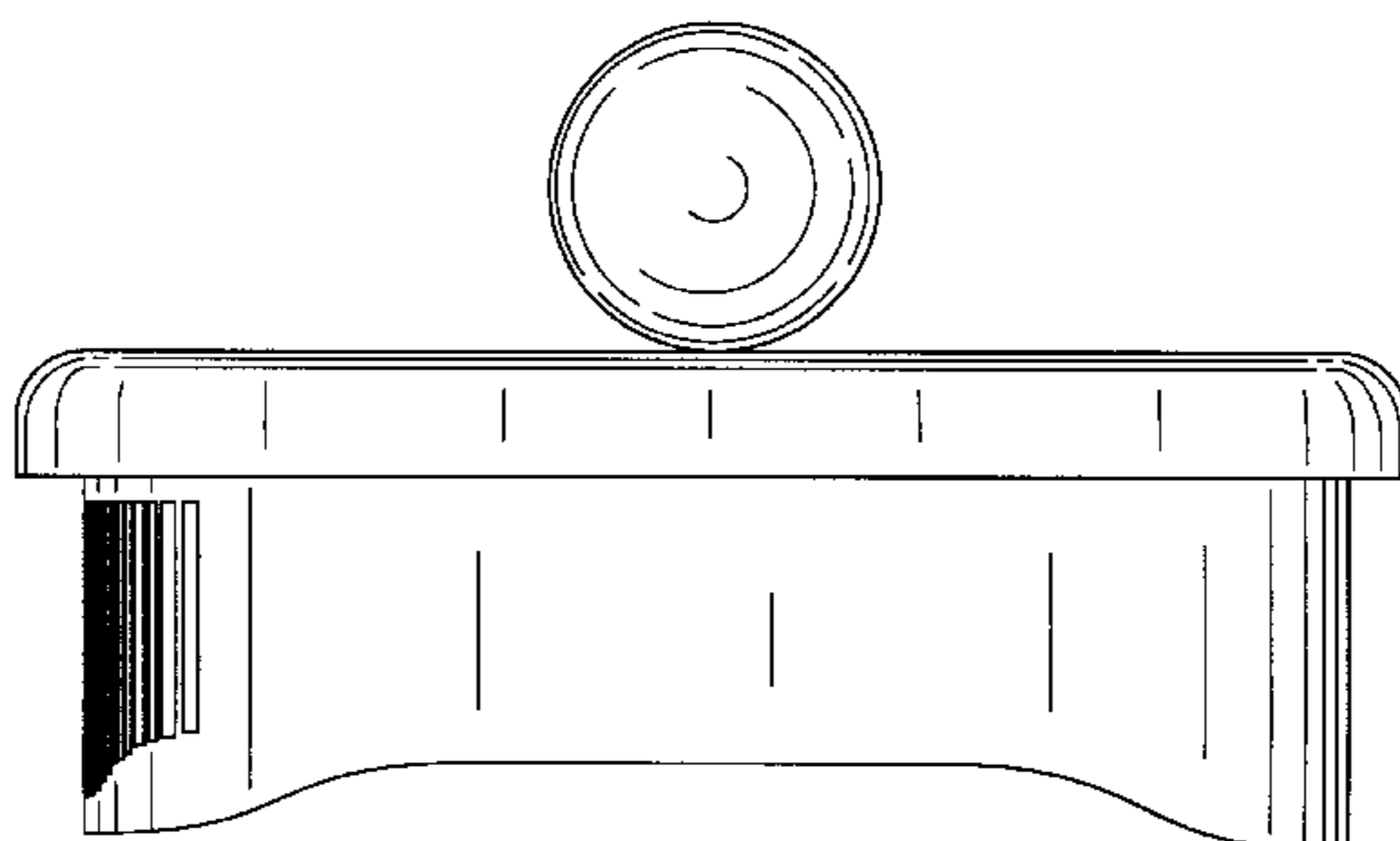
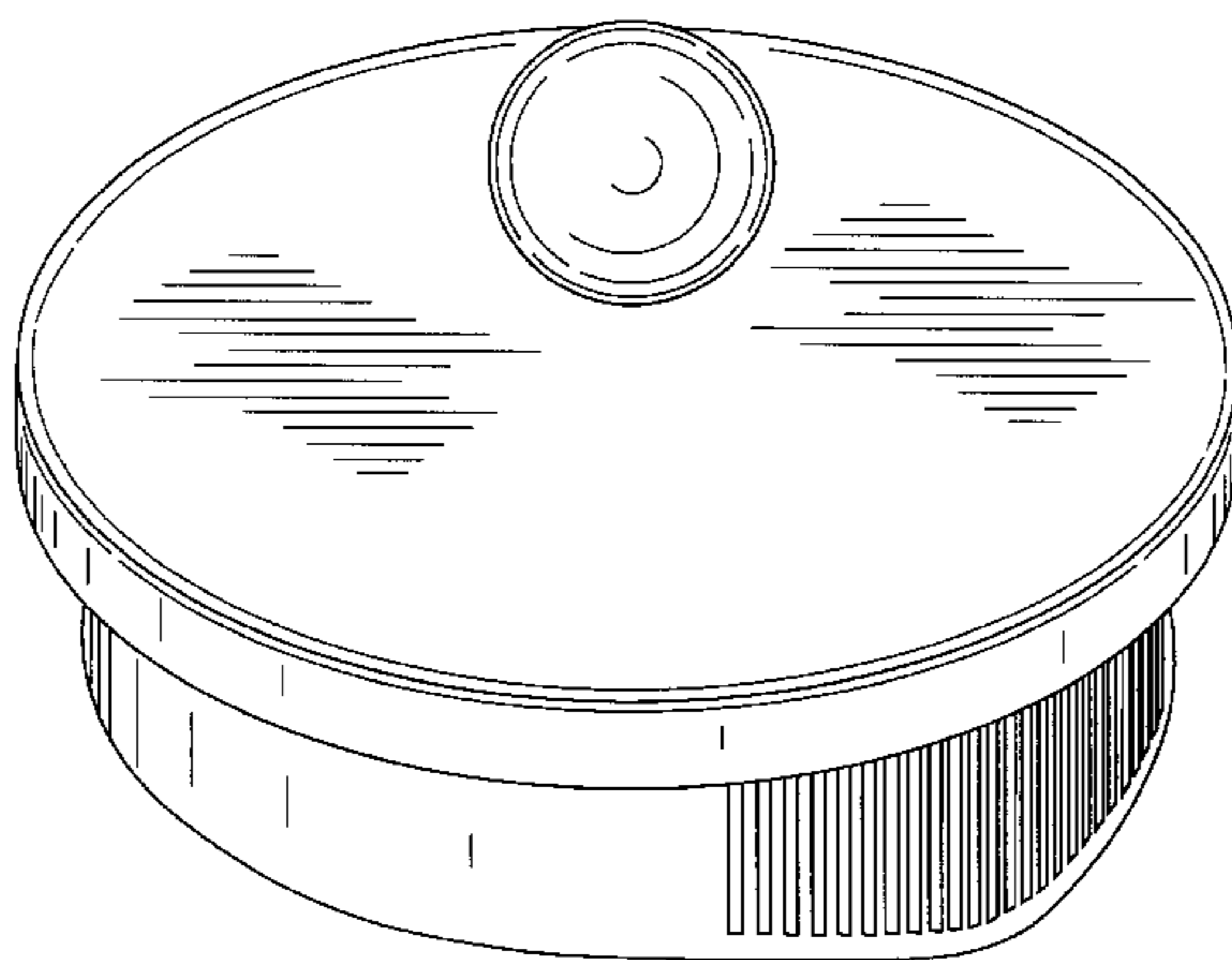
[57] **CLAIM**

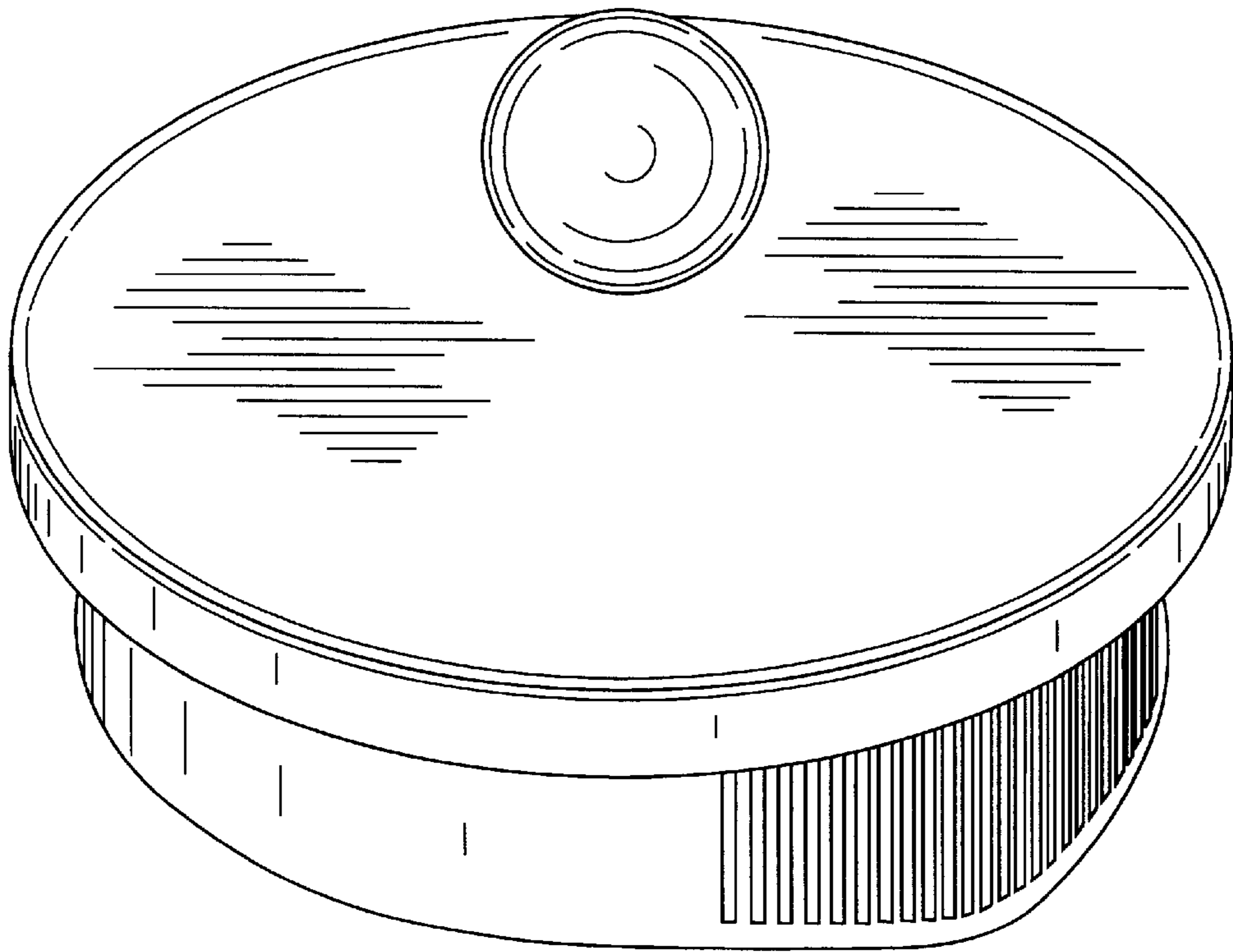
The ornamental design for a lid for a non-electric coffee maker, as shown and described.

**DESCRIPTION**

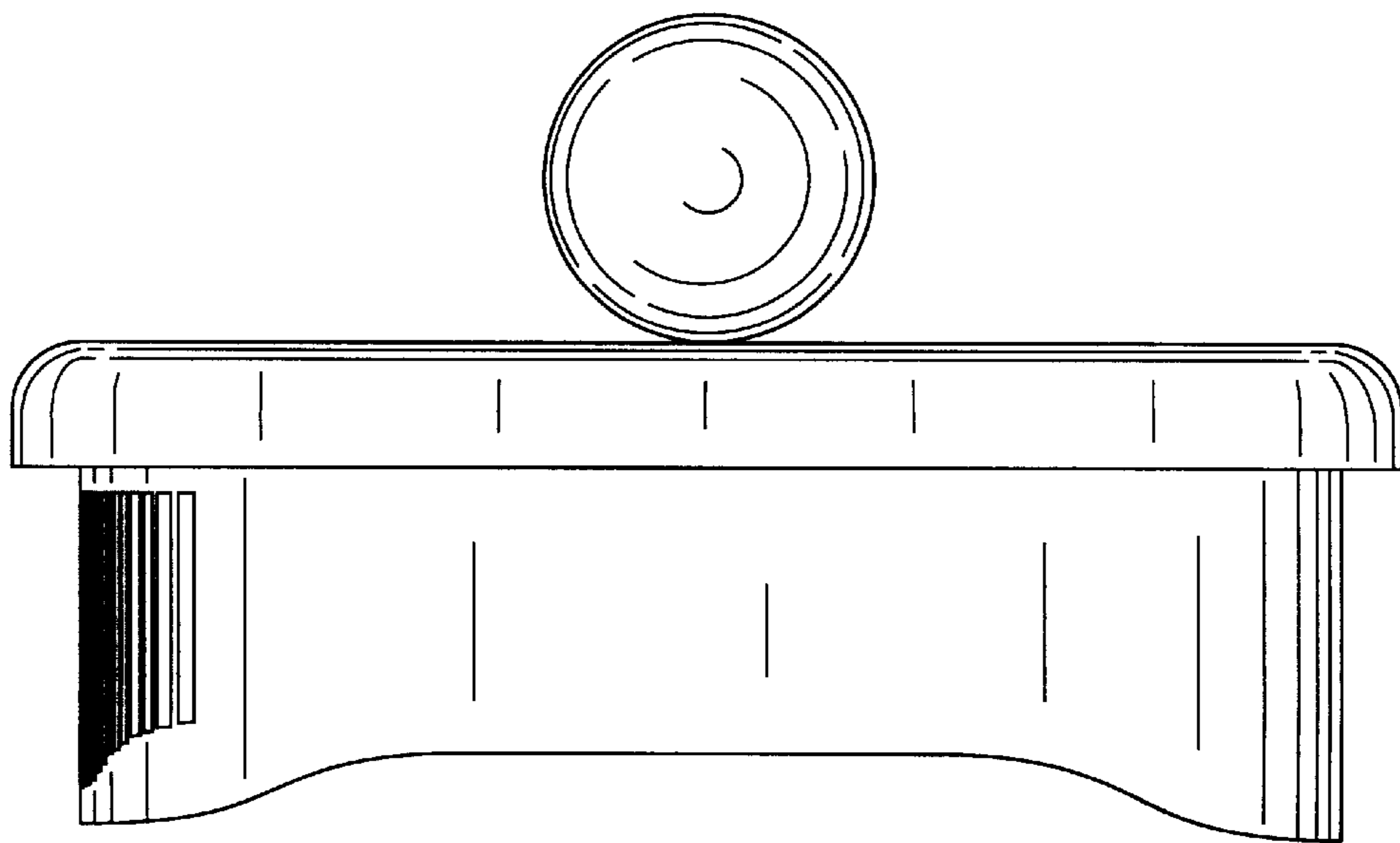
FIG. 1 is an oblique perspective view of the lid for a non-electric coffee maker;  
 FIG. 2 is a right side view of the lid for a non-electric coffee maker, as shown in FIG. 1;  
 FIG. 3 is a left side view of the lid for a non-electric coffee maker;  
 FIG. 4 is a front side view of the lid for a non-electric coffee maker;  
 FIG. 5 is a back side view of the lid for a non-electric coffee maker;  
 FIG. 6 is a top view of the lid for a non-electric coffee maker;  
 and,  
 FIG. 7 is a bottom view of the lid for a non-electric coffee maker;

**1 Claim, 3 Drawing Sheets**

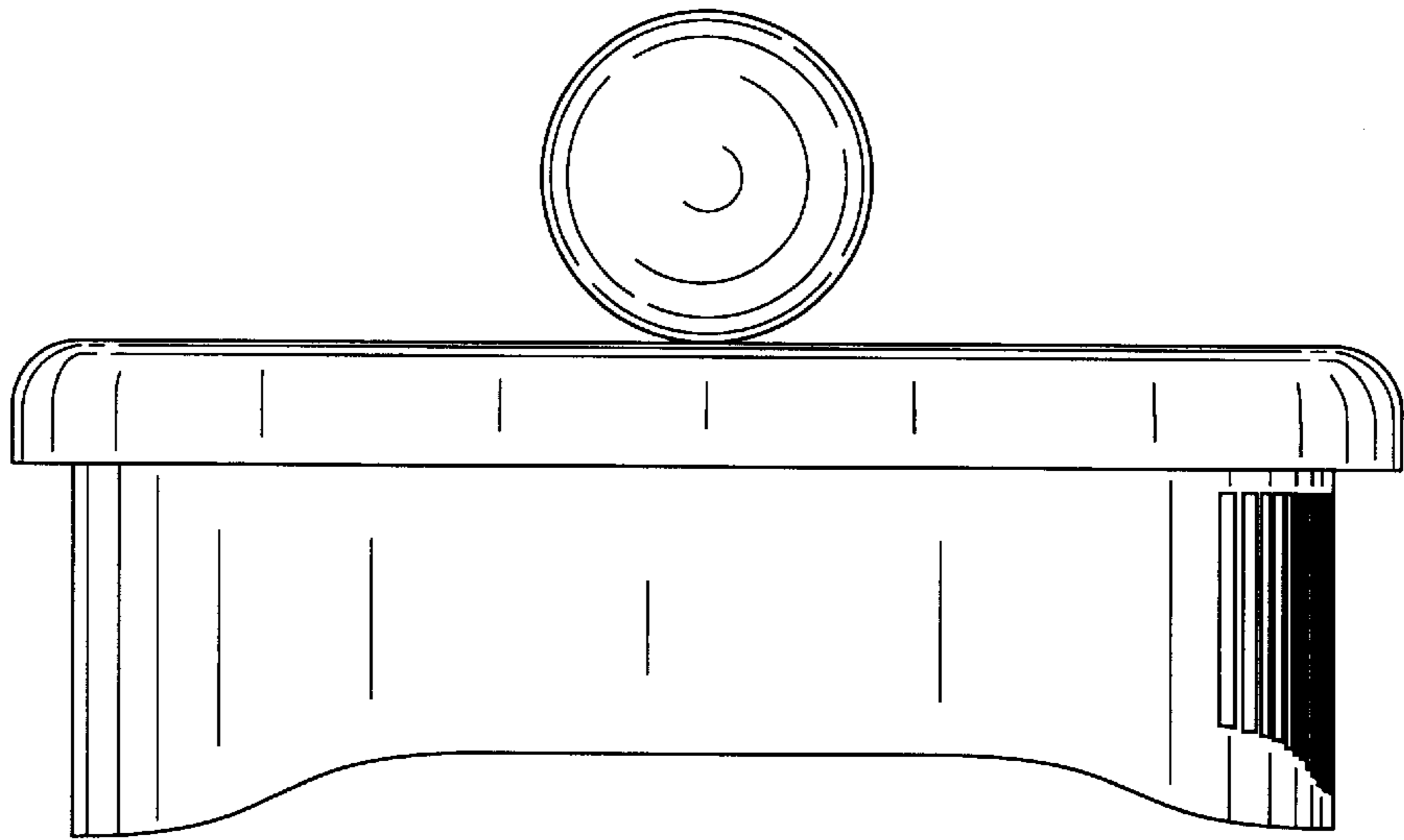




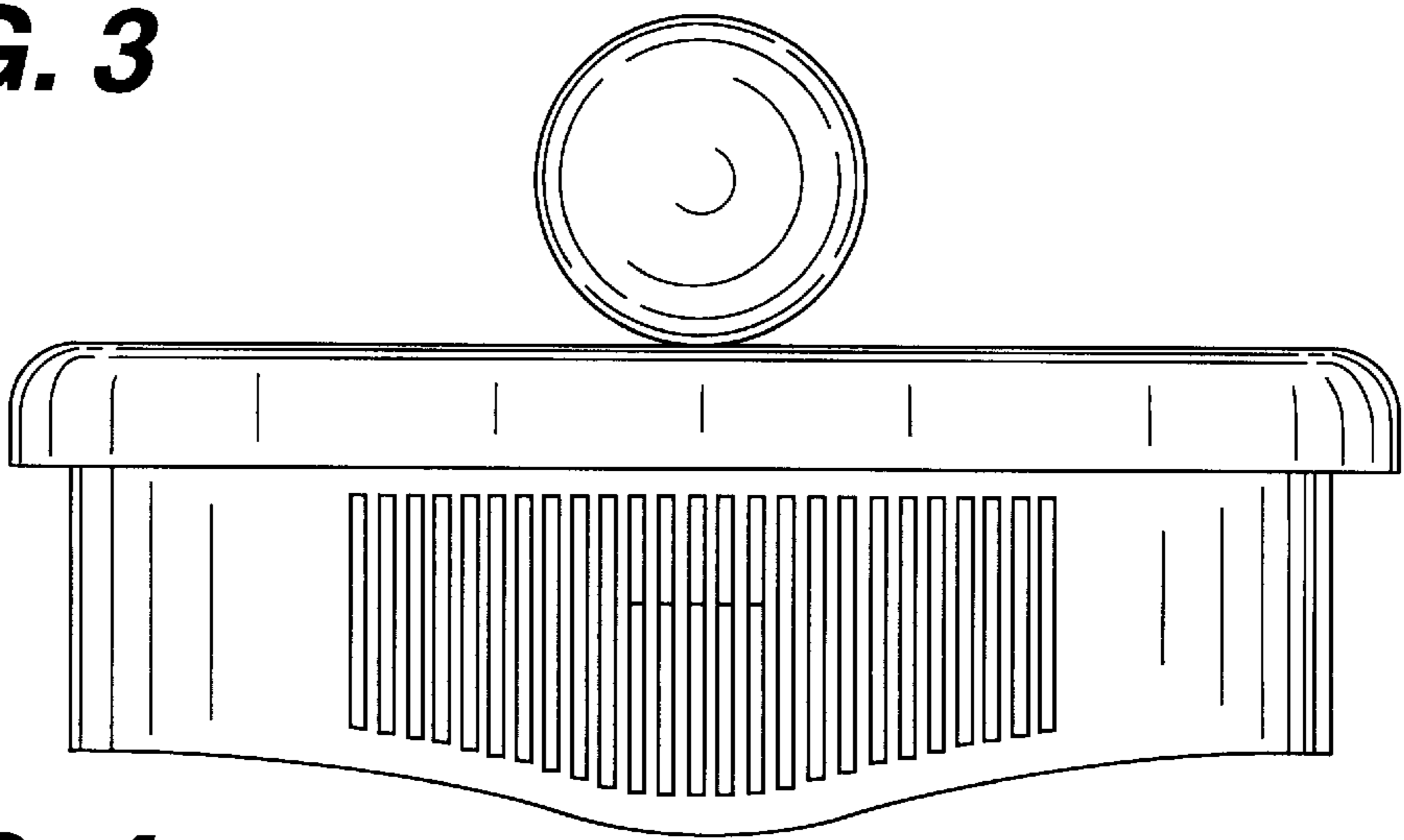
**FIG. 1**



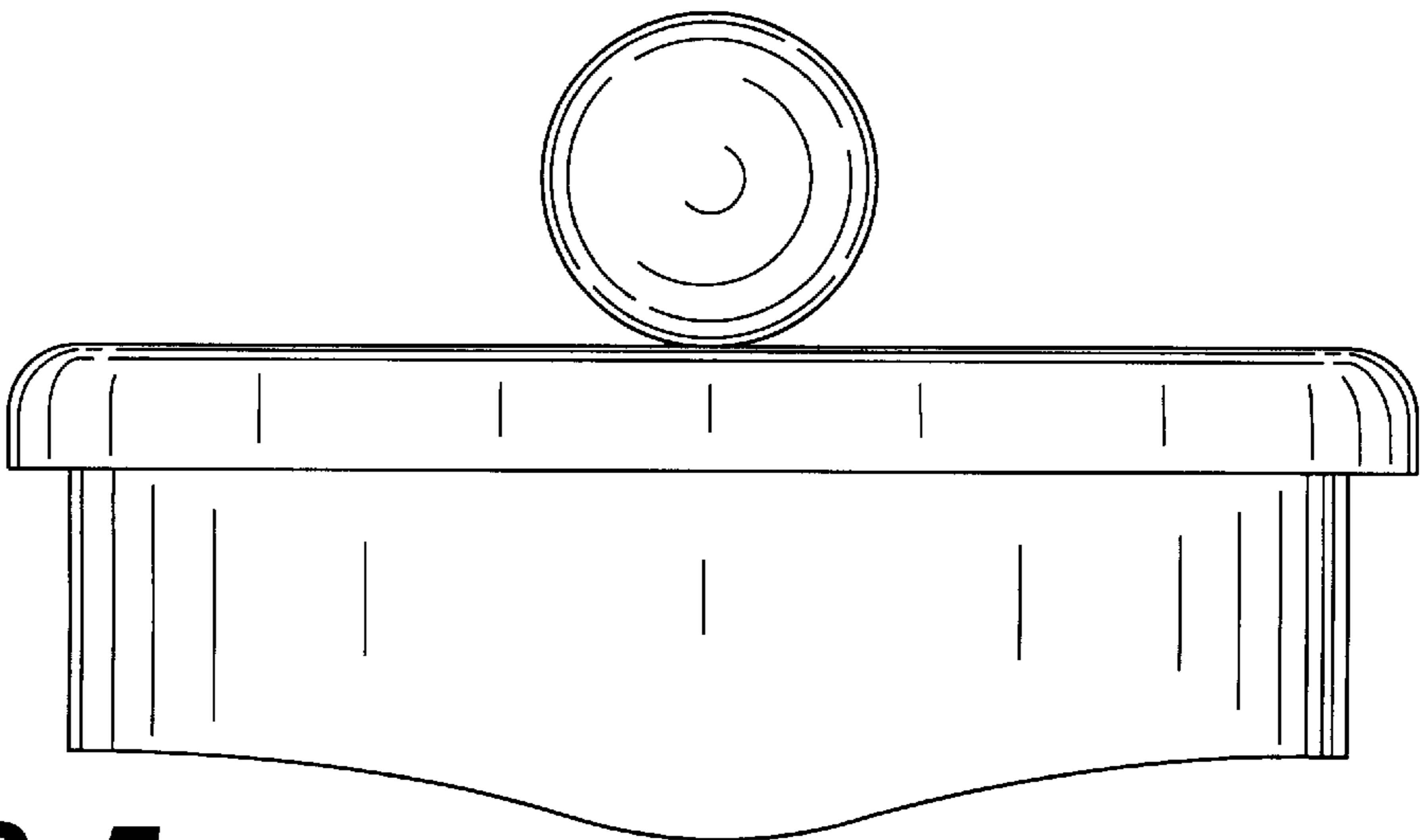
**FIG. 2**



**FIG. 3**



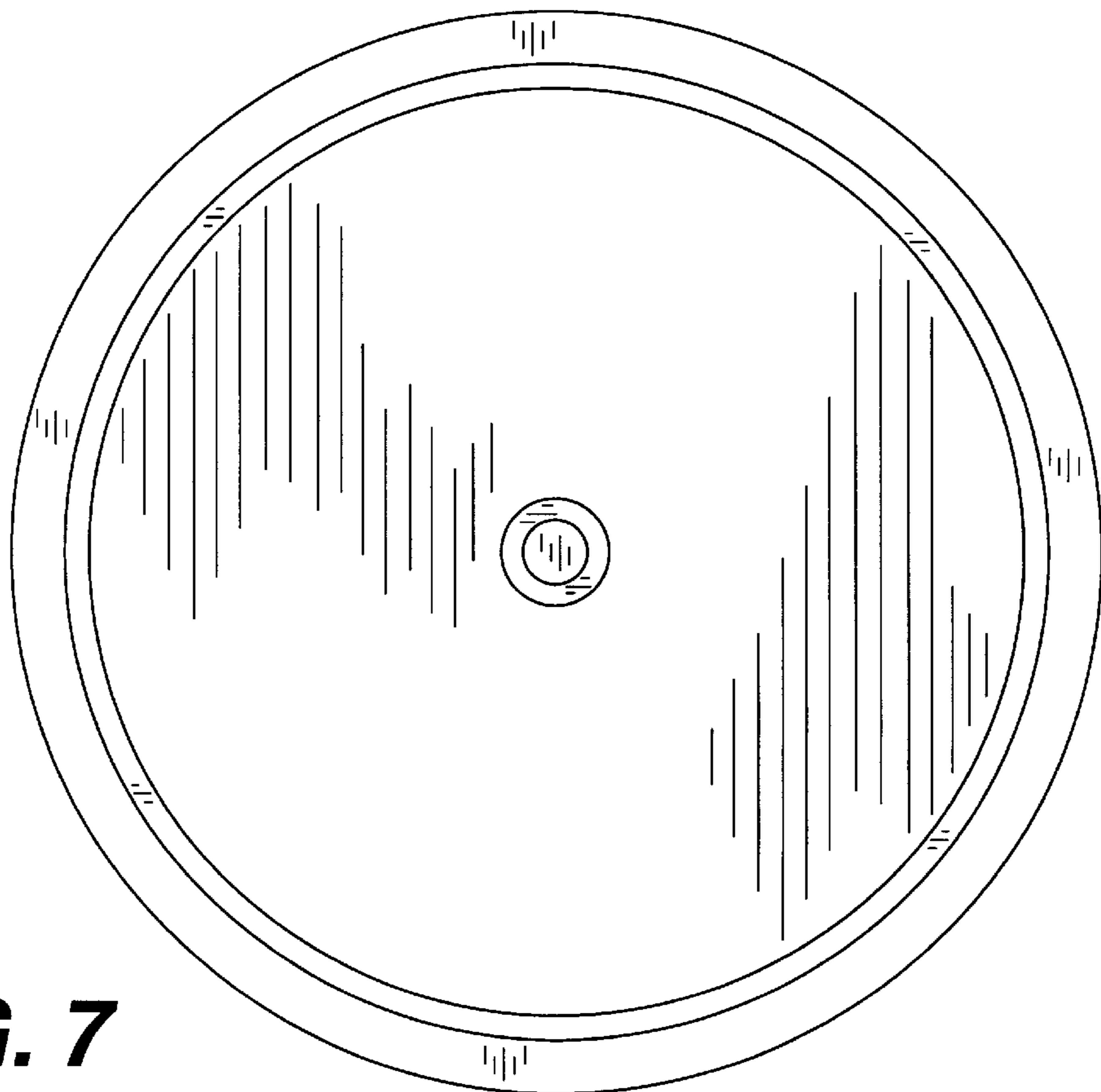
**FIG. 4**



**FIG. 5**



**FIG. 6**



**FIG. 7**