



US00D414983S

United States Patent [19]
Wong

[11] **Patent Number: Des. 414,983**

[45] **Date of Patent: ** Oct. 12, 1999**

[54] **SLICER**

[76] **Inventor: Yan Kwong Wong**, Unit 17, 10th Floor,
21 Lam Hing Street, Kowloon Bay,
Kowloon, The Hong Kong Special
Administrative Region of the People's
Republic of China

[**] **Term: 14 Years**

[21] **Appl. No.: 29/087,771**

[22] **Filed: May 8, 1998**

[30] **Foreign Application Priority Data**

Nov. 11, 1997 [GB] United Kingdom 2070409

[51] **LOC (6) Cl. 31-00**

[52] **U.S. Cl. D7/381**

[58] **Field of Search** D7/381-386, 673,
D7/693-697, 372-374; 83/856, 858, 859,
663, 451, 452, 733

[56] **References Cited**

U.S. PATENT DOCUMENTS

D. 254,590 4/1980 Doyel D7/381
3,952,621 4/1976 Chambos 83/856 X

Primary Examiner—Caron D. Veynar
Attorney, Agent, or Firm—Salter & Michaelson

[57] **CLAIM**

The ornamental design for a slicer, as shown.

DESCRIPTION

FIG. 1 is a perspective view of a slicer showing my new design;

FIG. 2 is a right side elevational view thereof;

FIG. 3 is a left side elevational view thereof;

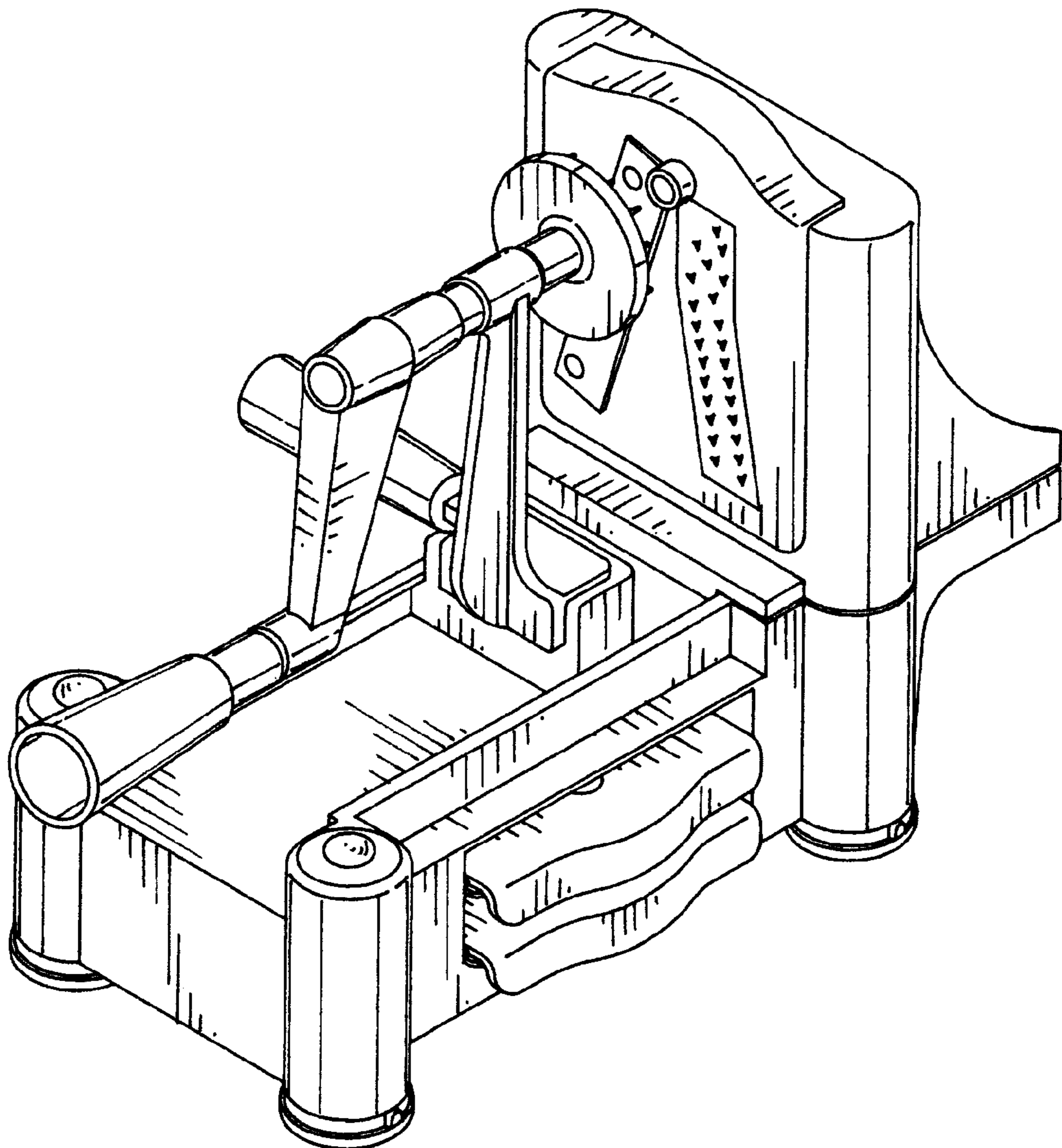
FIG. 4 is a top plan view thereof;

FIG. 5 is a bottom plan view thereof;

FIG. 6 is a front elevational view thereof; and,

FIG. 7 is a rear elevational view thereof.

1 Claim, 4 Drawing Sheets



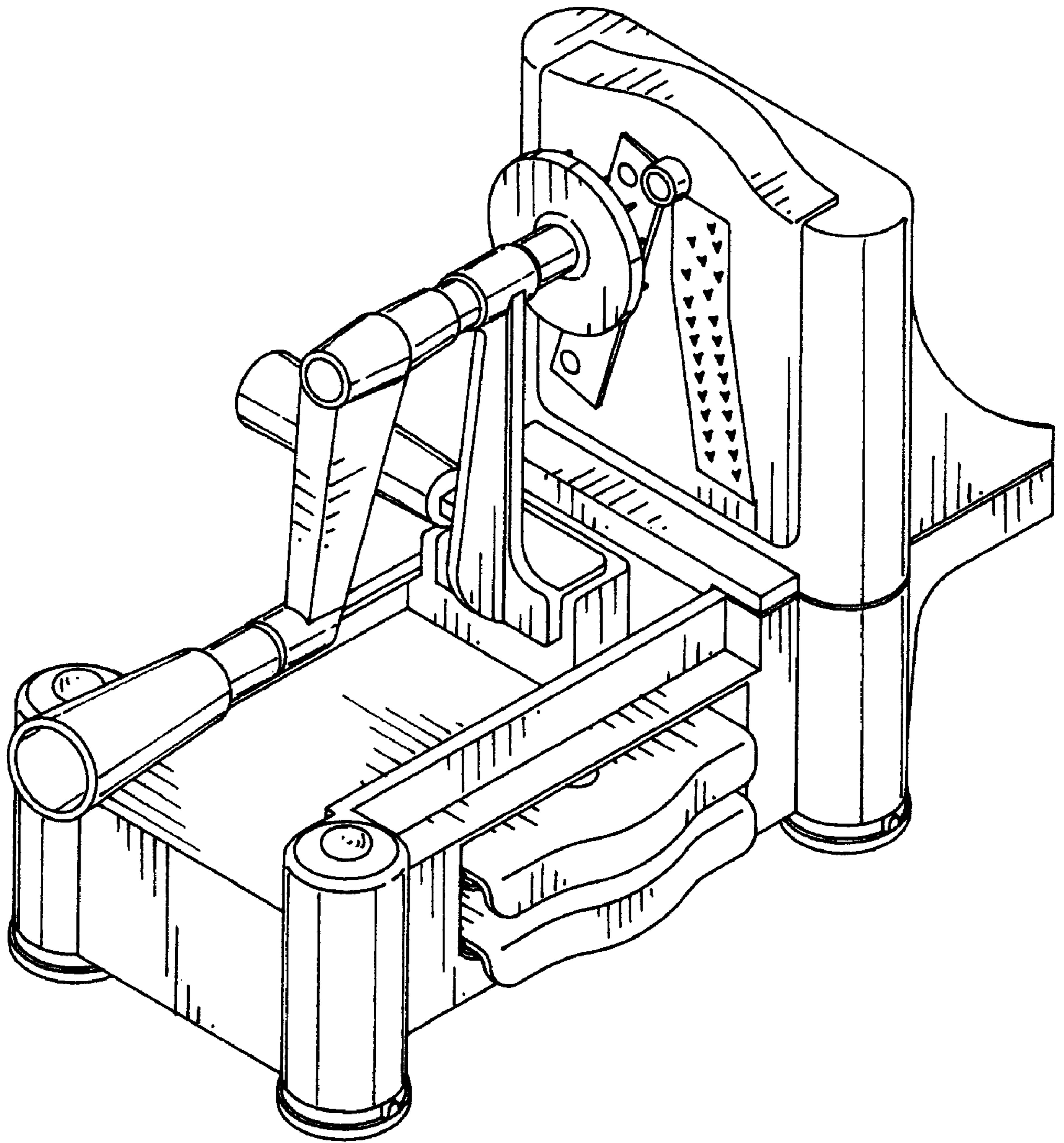


FIG. 1

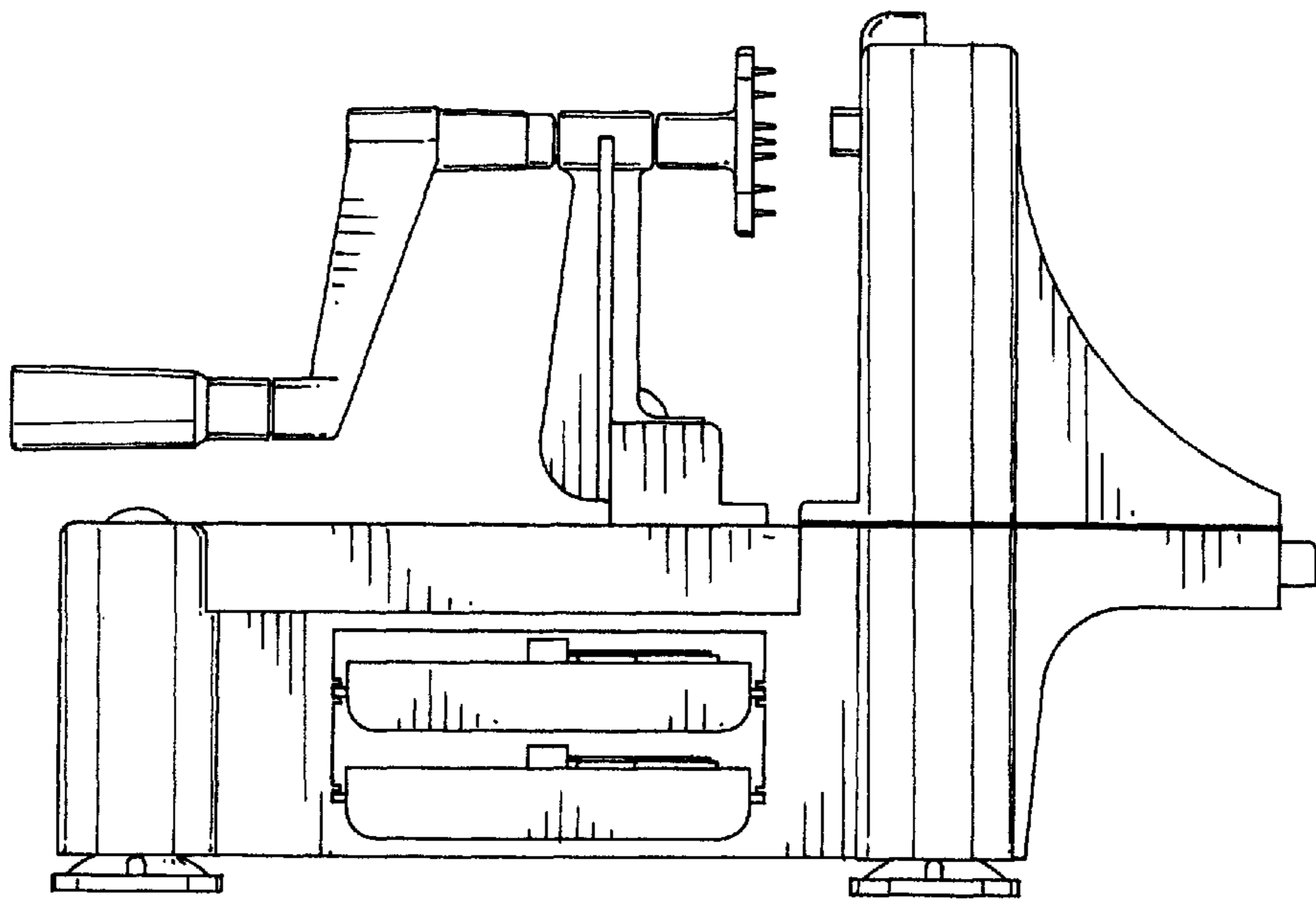


FIG. 2

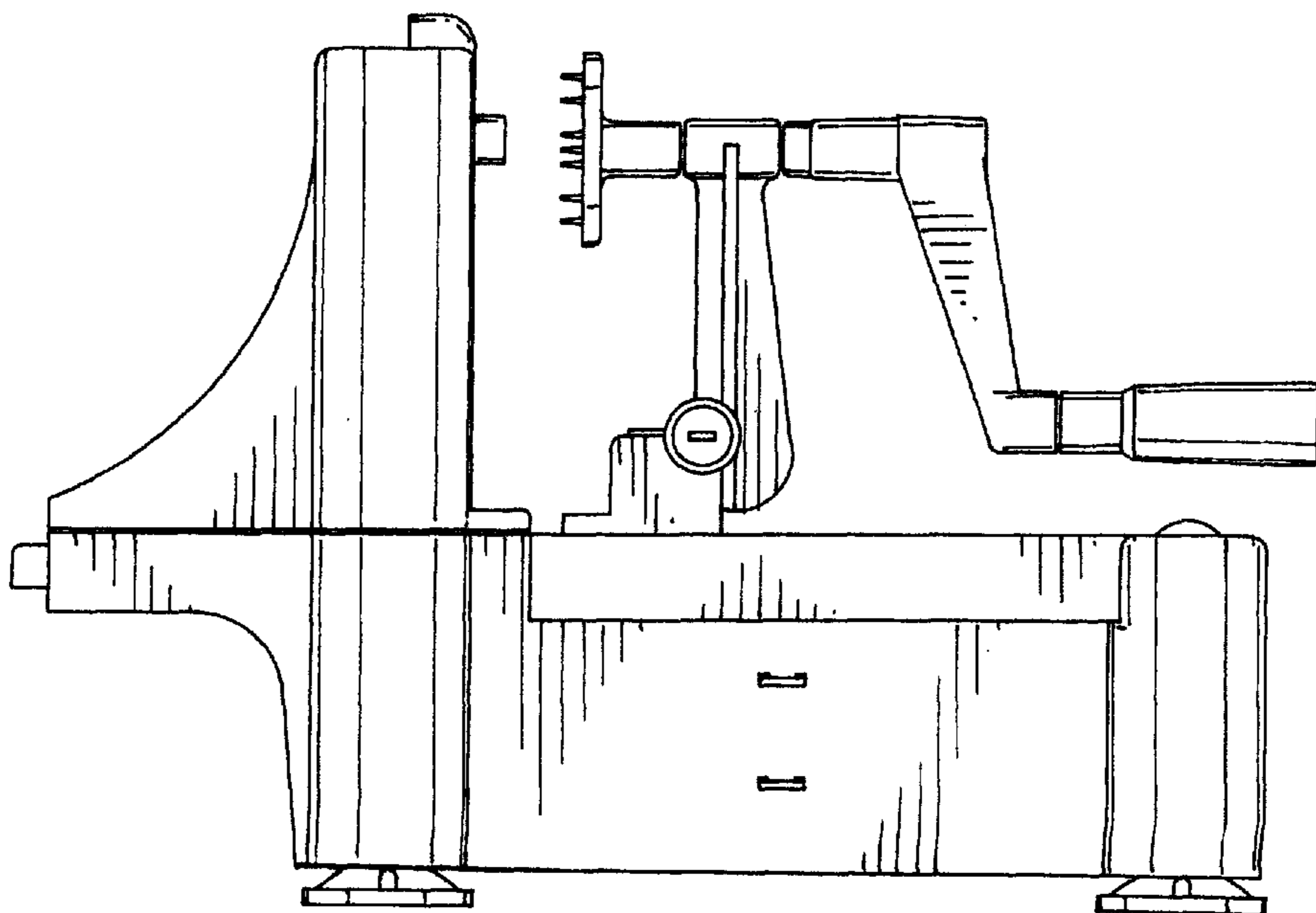


FIG. 3

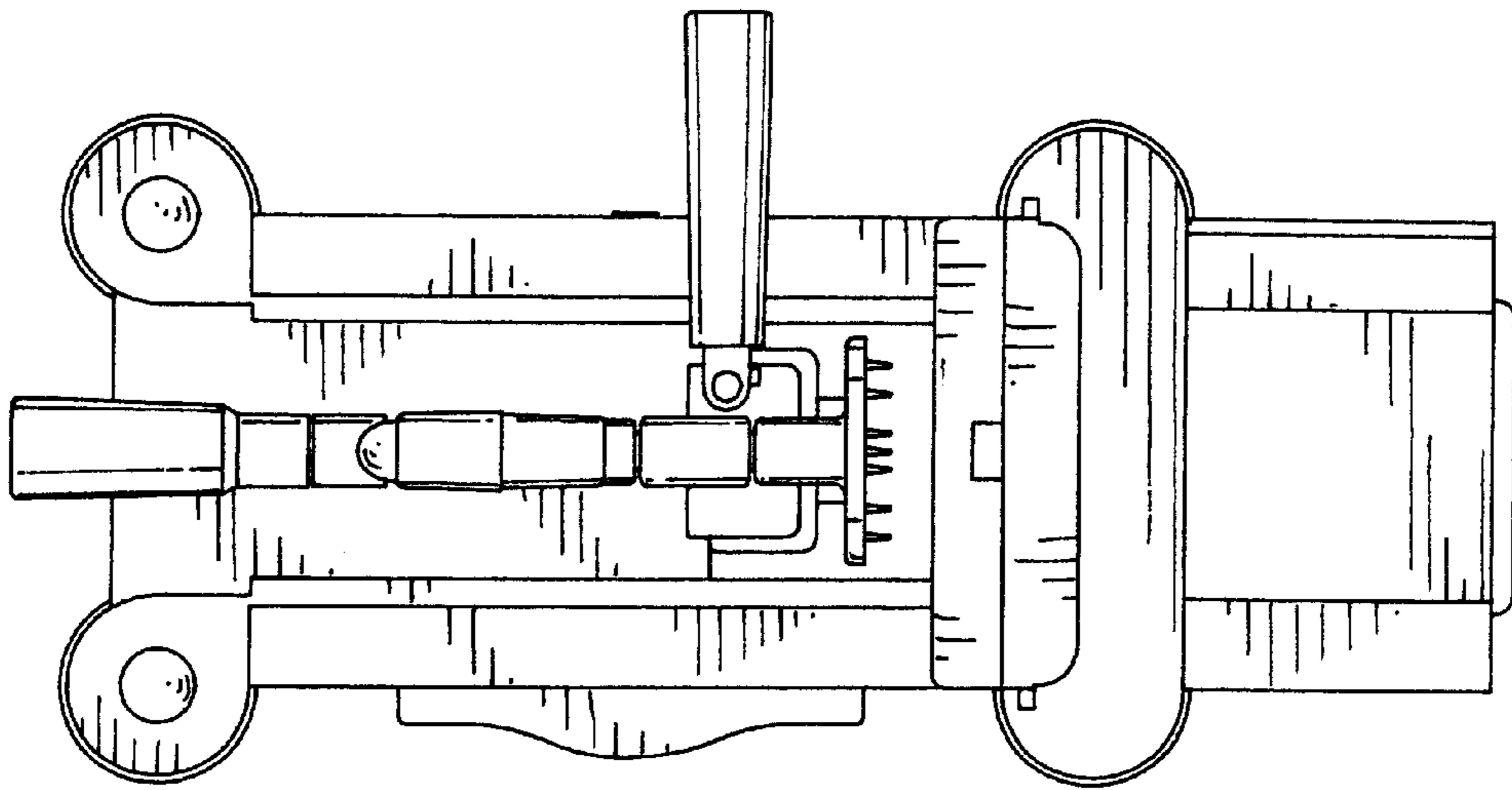


FIG. 4

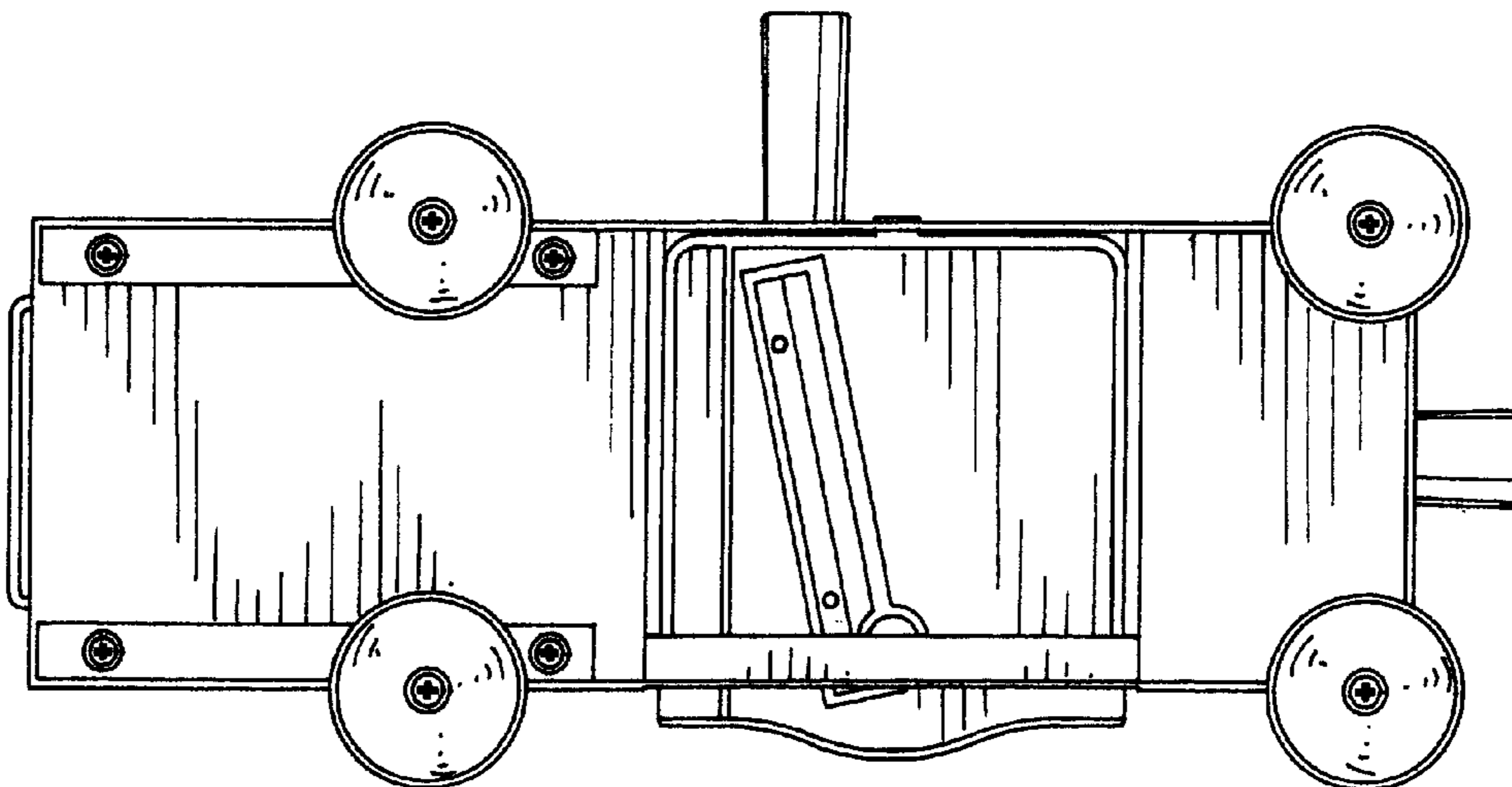


FIG. 5

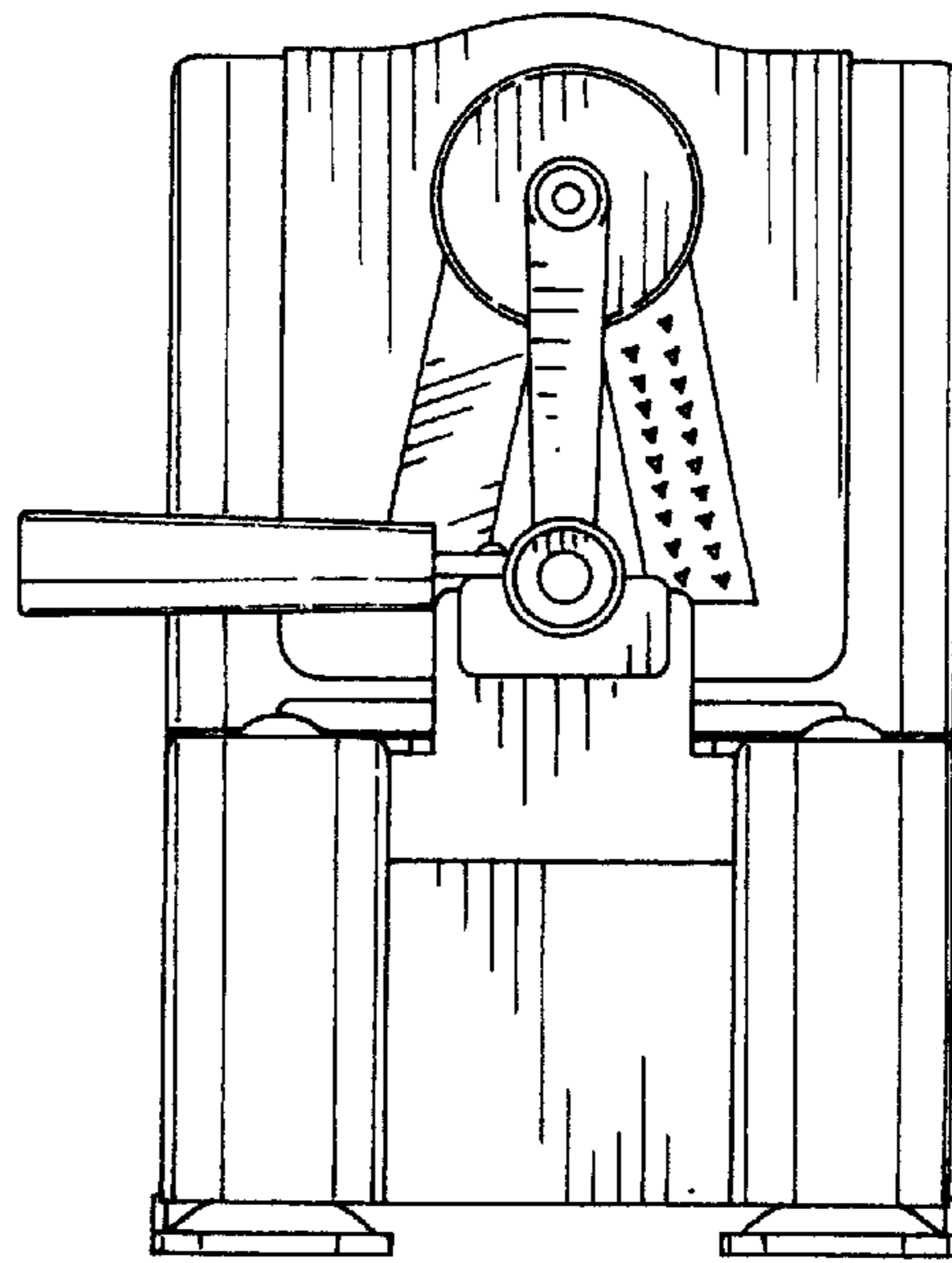


FIG. 6

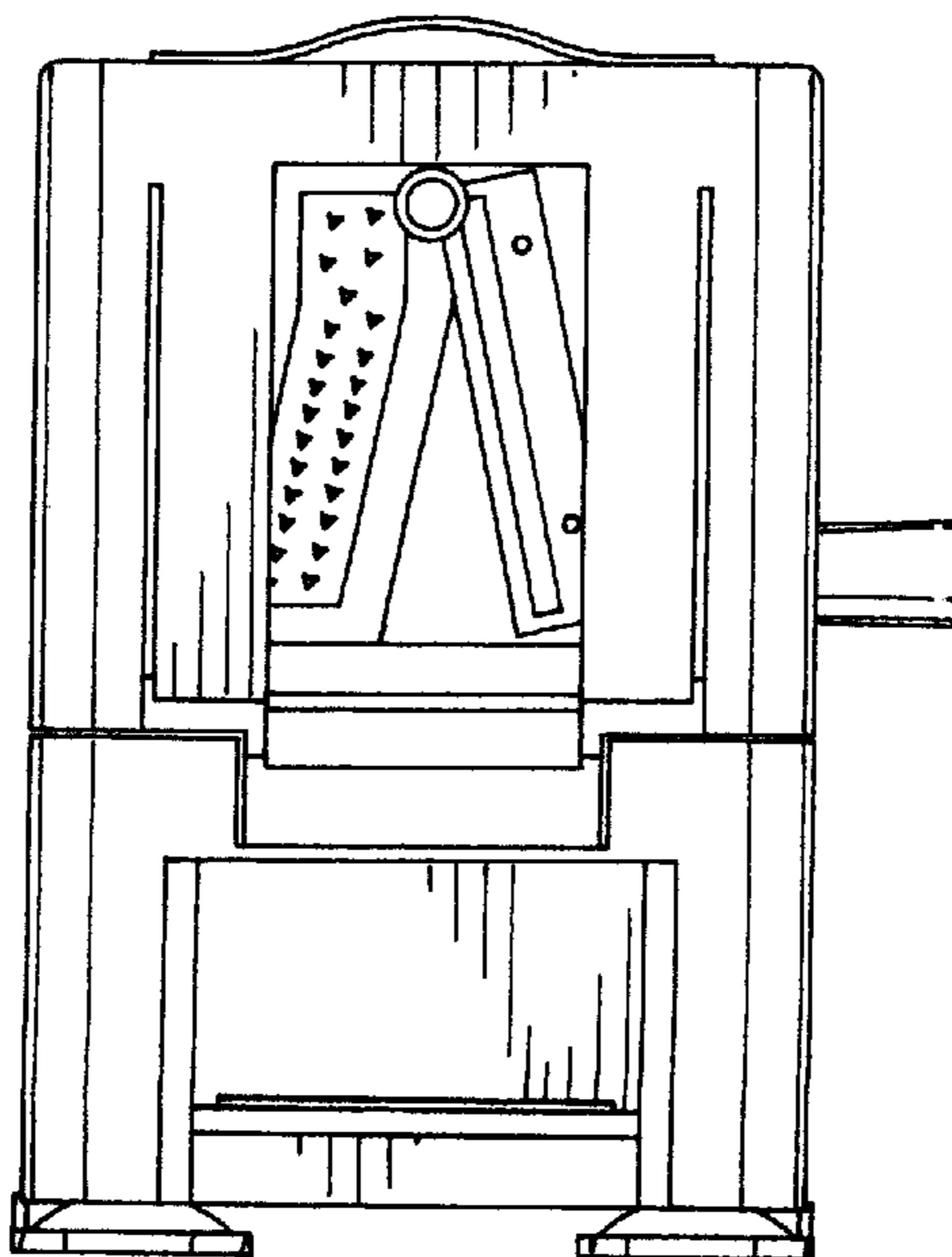


FIG. 7