



US00D414971S

United States Patent [19]

Tisbo et al.

[11] Patent Number: **Des. 414,971**

[45] Date of Patent: **** Oct. 12, 1999**

[54] SHELF UNIT

[75] Inventors: **Thomas A. Tisbo**, Barrington Hills;
Torrence C. Anderson, Aurora;
Michael G. Uffner, Naperville, all of Ill.

253810 6/1926 United Kingdom .
261537 11/1926 United Kingdom .
627398 8/1949 United Kingdom .
2156199 10/1985 United Kingdom .
PCT/US89/
04376 10/1989 WIPO .

[73] Assignee: **Suncast Corporation**, Batavia, Ill.

[**] Term: **14 Years**

[21] Appl. No.: **29/082,740**

[22] Filed: **Jan. 29, 1998**

[51] LOC (6) Cl. **08-08**

[52] U.S. Cl. **D6/574**

[58] Field of Search D6/574, 552, 449,
D6/557, 512, 567; 211/13.1, 14, 71.01,
86.01, 87.01, 90.01; 108/152; 240/220.21

[56] References Cited

U.S. PATENT DOCUMENTS

D. 191,790	11/1961	Schaefer	D34/5
D. 198,349	6/1964	Saunders	D80/10
D. 203,513	1/1966	Warren	D34/5
D. 237,231	10/1975	Wells	D20/2
D. 240,421	7/1976	Rose	D6/4

(List continued on next page.)

FOREIGN PATENT DOCUMENTS

501564	4/1954	Canada .
1272708	8/1961	France .
1273324	8/1961	France .
1274556	9/1961	France .
1467884	12/1966	France .
2609790	9/1976	Germany .
096105	2/1988	Taiwan .
15722	9/1909	United Kingdom .

OTHER PUBLICATIONS

World of My Own Catalog, p. 375, Twin-Size Basketball Headboard, Item J; Ball Holder, Item P.
Rubbermaid Catalog, Oct. 6, 1996, Bath Organization.
The Great Kids Company Catalog, My Own Space, Toy Box and Personalized Kid's Book Case, and p. 31, See-All Storage.
Lilly's Kids Catalog, 1994, 1995, Hung Up on Sports Wooden Peg Racks.
Furniture Design & Manufacturing Catalog, Oct. 1996, FDM Reader's Choice, Keep Media Organized Multimedia Storage From Titus, Inc.
LVC Catalog, 1995, Item 2830 JA, Personalized Baseball Rack.

Primary Examiner—Kay H. Chin
Attorney, Agent, or Firm—Welsh & Katz, Ltd.

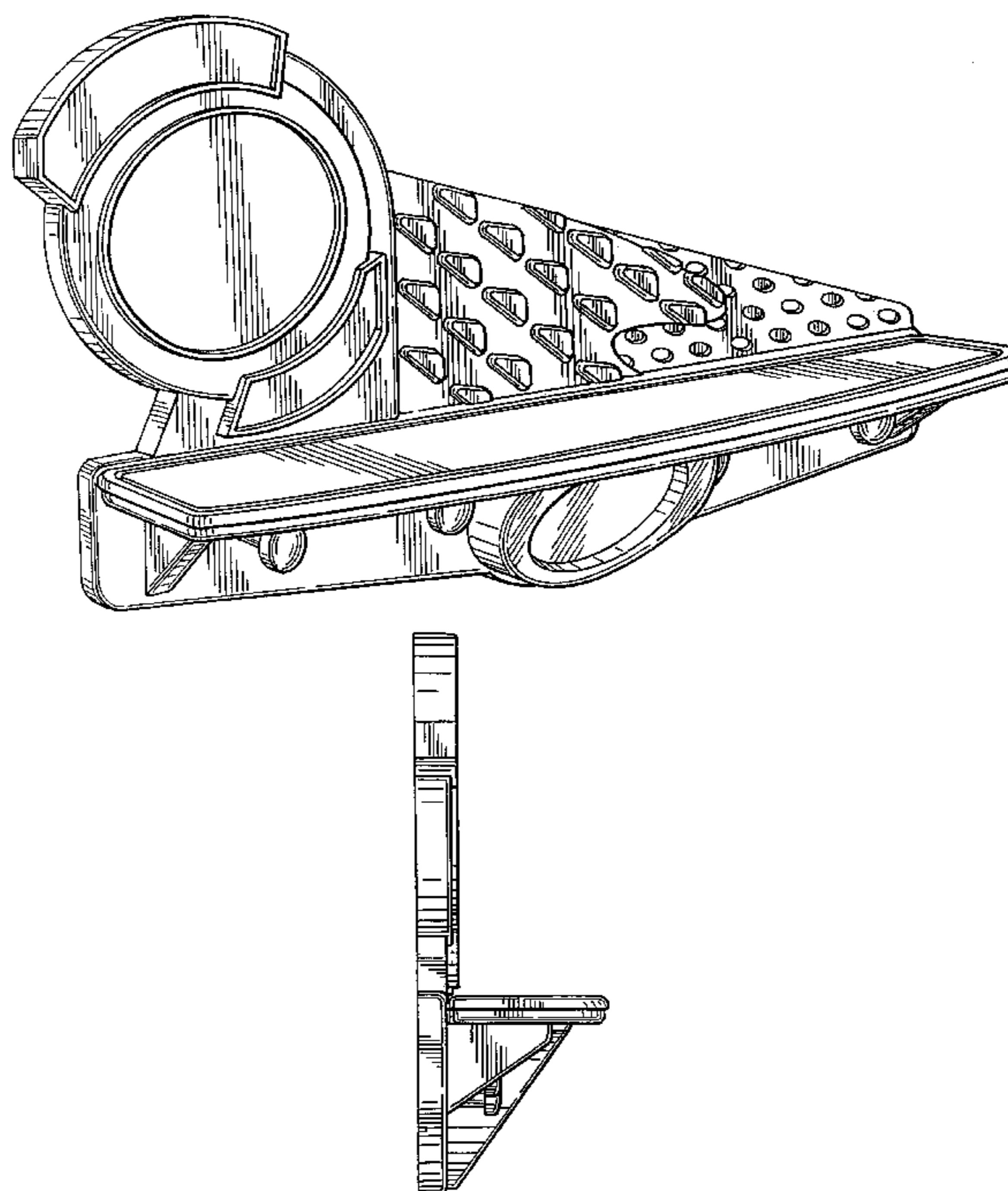
[57] CLAIM

The ornamental design for a shelf unit, as shown.

DESCRIPTION

FIG. 1 is a perspective view of a shelf unit showing our new design;
FIG. 2 is a top view thereof;
FIG. 3 is a front view thereof;
FIG. 4 is a back view thereof;
FIG. 5 is a bottom view thereof;
FIG. 6 is a left side view thereof; and,
FIG. 7 is a right side view thereof.

1 Claim, 4 Drawing Sheets

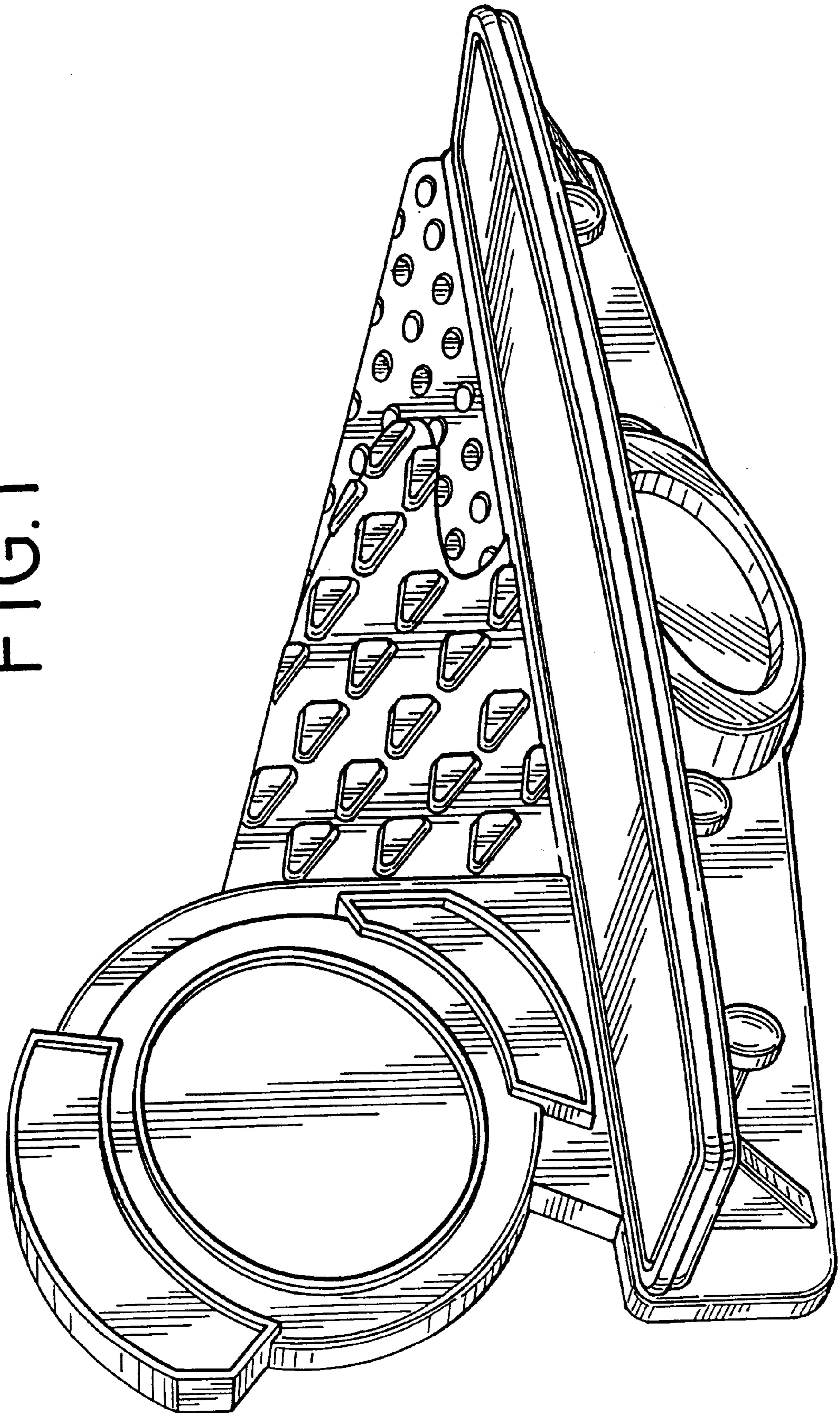


Des. 414,971

Page 2

U.S. PATENT DOCUMENTS		
D. 261,571	11/1981	Hanson D3/38
D. 283,472	4/1986	Wattles D6/463
D. 283,568	4/1986	Valley D6/429
D. 290,201	6/1987	Wilder D6/464
D. 303,600	9/1989	Thompson et al. D6/552
D. 309,226	7/1990	Wilcox D6/552
D. 309,998	8/1990	Sumrell et al. D6/567
D. 323,591	2/1992	Stravitz D6/437
D. 385,140	10/1997	Whitehead et al. D6/574
D. 390,377	2/1998	Whitehead et al. D6/449
D. 390,378	2/1998	Whitehead et al. D6/449
D. 393,961	5/1998	Whitehead et al. D6/464
466,608	1/1892	Landis .
797,614	8/1905	Schipkowsky .
860,278	7/1907	Botkin .
913,228	2/1909	McCarthy .
929,519	7/1909	True .
1,733,487	10/1929	Hackley .
1,869,226	7/1932	Subick .
2,060,760	11/1936	Keil 211/87
2,090,108	8/1937	Cicero 211/35
2,122,336	6/1938	Berry 211/88
2,271,784	2/1942	Tritt 248/220
2,633,998	4/1953	Derman 211/104
2,767,854	10/1956	Barrett 211/13
2,885,090	5/1959	Forman et al. 211/175
2,930,486	3/1960	Hoover 211/44
2,950,003	8/1960	Simmons et al. 206/75
2,972,417	2/1961	Smith 211/71
3,220,363	11/1965	Gingher 108/144
3,565,020	2/1971	Shier 108/152
3,650,407	3/1972	Benham, Jr. 211/14
3,669,395	6/1972	Gehrke 248/235
3,698,563	10/1972	Gordon et al. 211/13
3,788,241	1/1974	Ravreby 108/6
3,869,137	3/1975	Byrom 280/47.19
3,888,353	6/1975	Leifheit 211/37
3,997,060	12/1976	Kunin 211/126
4,002,241	1/1977	Parrilla, Sr. 211/88
4,049,126	9/1977	Halverson 211/104
4,154,442	5/1979	Trubody et al. 273/29
4,162,013	7/1979	Tucker 211/43
4,178,844	12/1979	Ward et al. 99/449
4,188,890	2/1980	deVillers 108/30
4,193,495	3/1980	Keeley 206/315
4,227,710	10/1980	Laub 280/47
4,315,633	2/1982	Boeddeker et al. 280/79.3
4,376,521	3/1983	Walters 248/206
4,561,547	12/1985	Estwanik, III 211/14
4,583,647	4/1986	Schinzing 211/60.1
4,629,065	12/1986	Braaten 206/315.1
4,633,789	1/1987	Kortering et al. 108/152
4,643,317	2/1987	Wilkinson et al. 211/14
4,674,967	6/1987	Oseka 425/110
4,676,539	6/1987	Potocnjak 294/67.4
4,678,087	7/1987	York 211/70.5
4,708,310	11/1987	Smith 248/220
4,776,650	10/1988	Ferenzi 312/245
4,854,456	8/1989	Lee 211/14
4,863,082	9/1989	Evans et al. 244/42
4,871,074	10/1989	Bryson et al. 211/13
4,936,467	6/1990	Bobeczko 211/14
5,014,948	5/1991	Asaro et al. 248/215
5,188,246	2/1993	Maxworthy 211/153
5,203,462	4/1993	Brooks 211/14
5,253,837	10/1993	Loux 248/250
5,294,005	3/1994	Hedges 211/13
5,325,973	7/1994	Reedy 211/18
5,413,228	5/1995	Le Clerc 211/13
5,706,737	1/1998	Whitehead et al. 108/42

FIG. 1



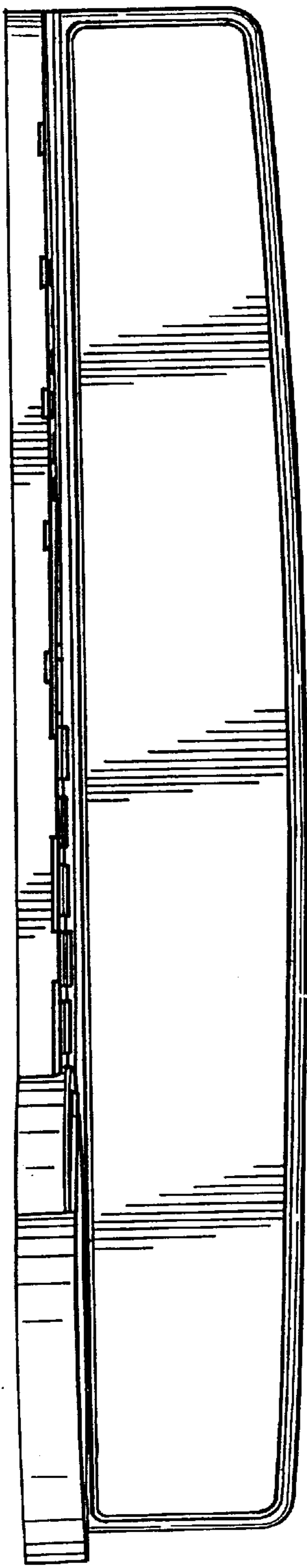


FIG. 2

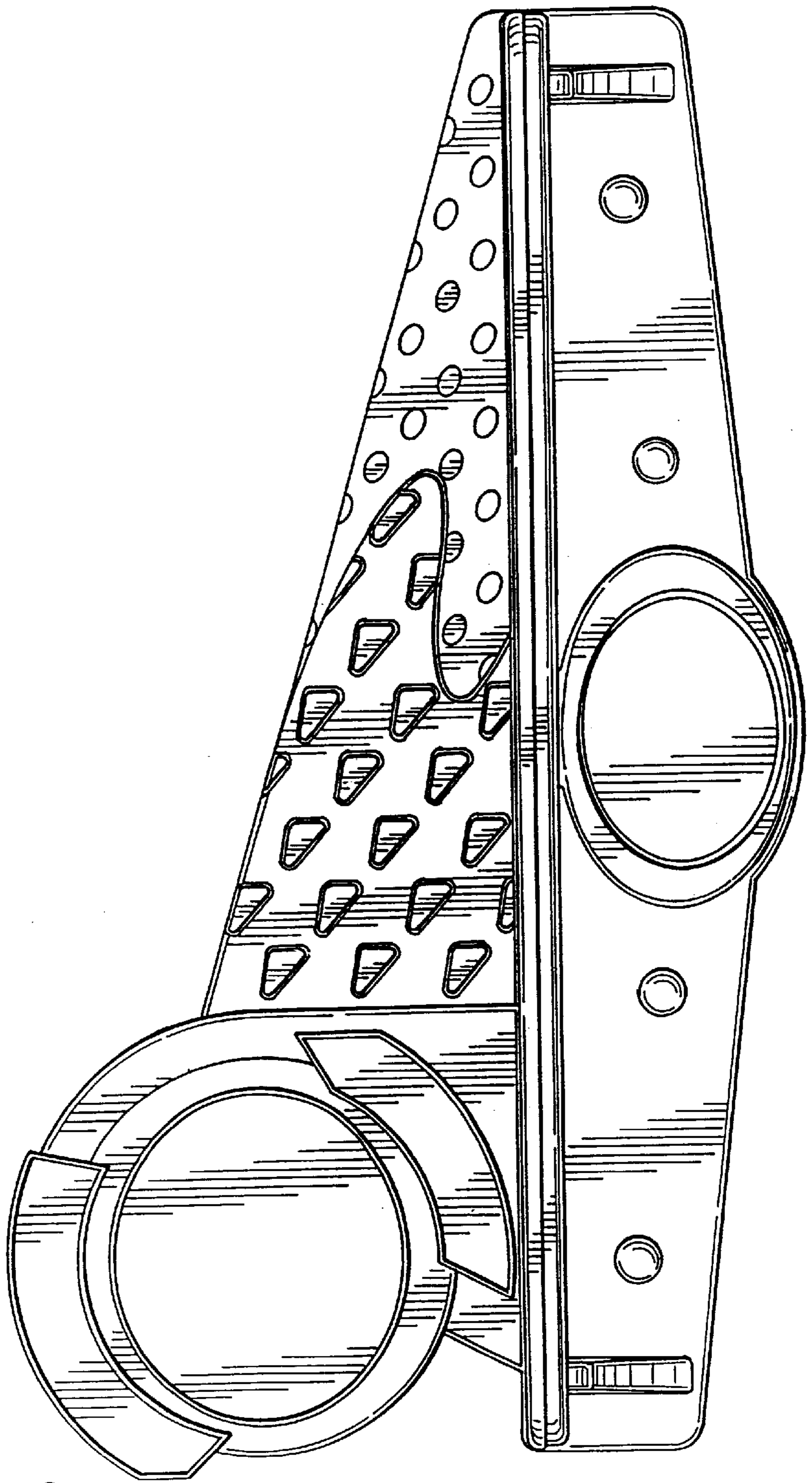


FIG. 3

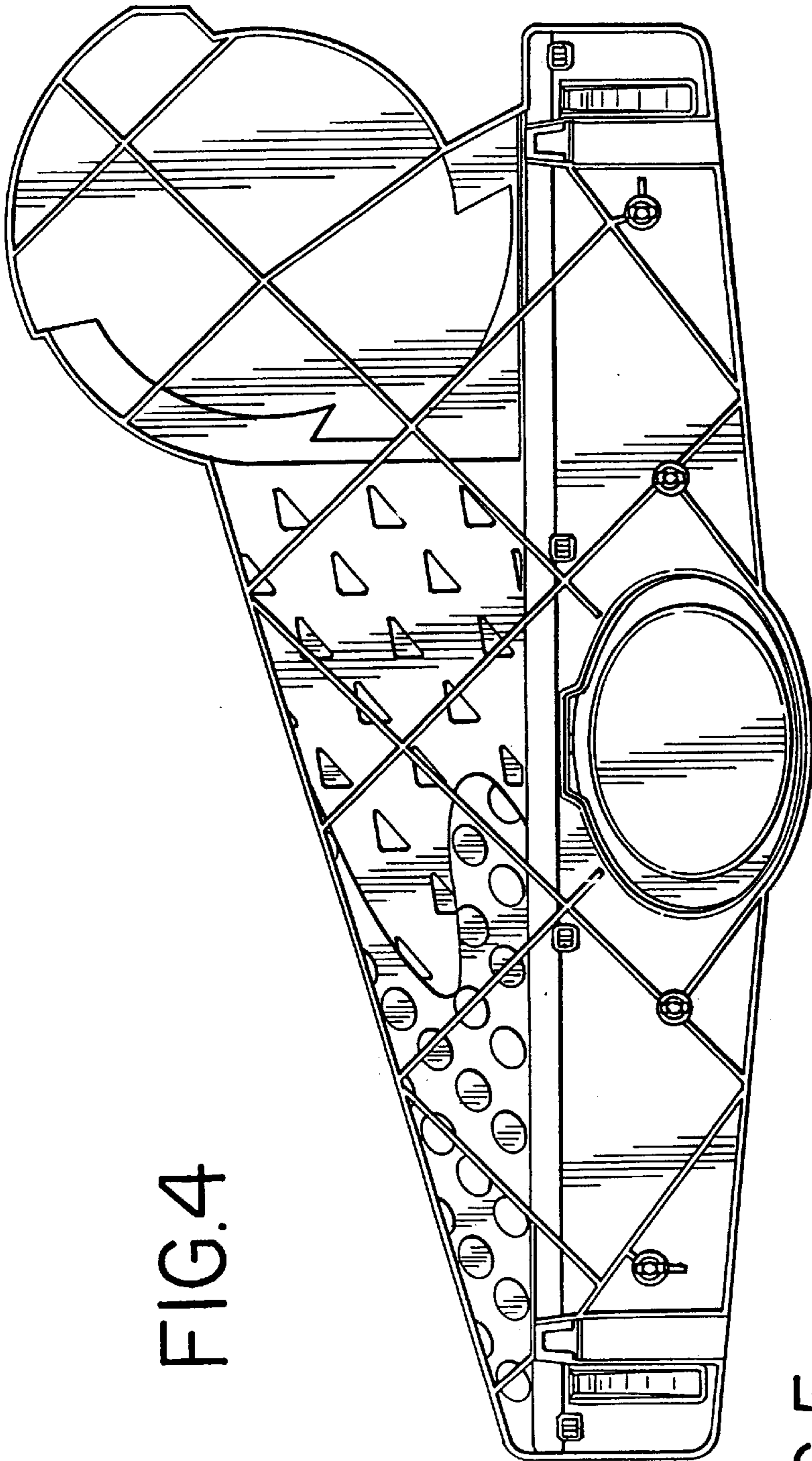


FIG.4

FIG.5

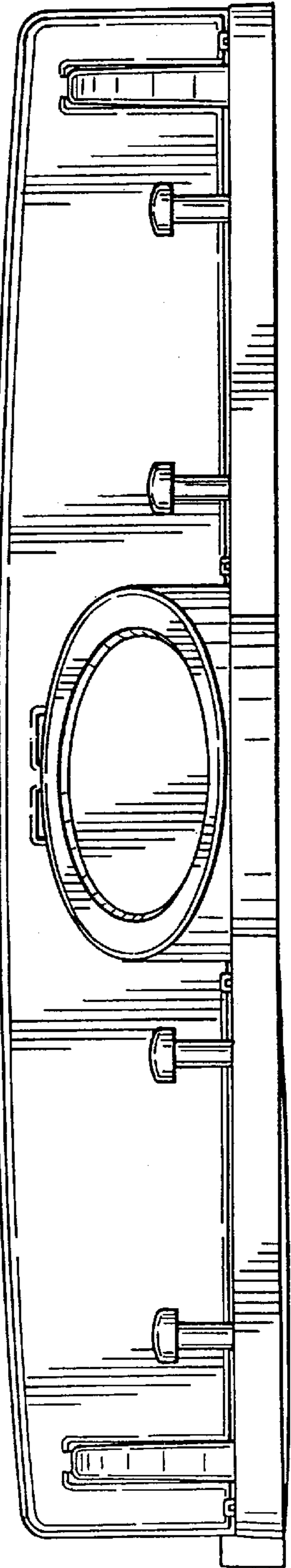


FIG.6

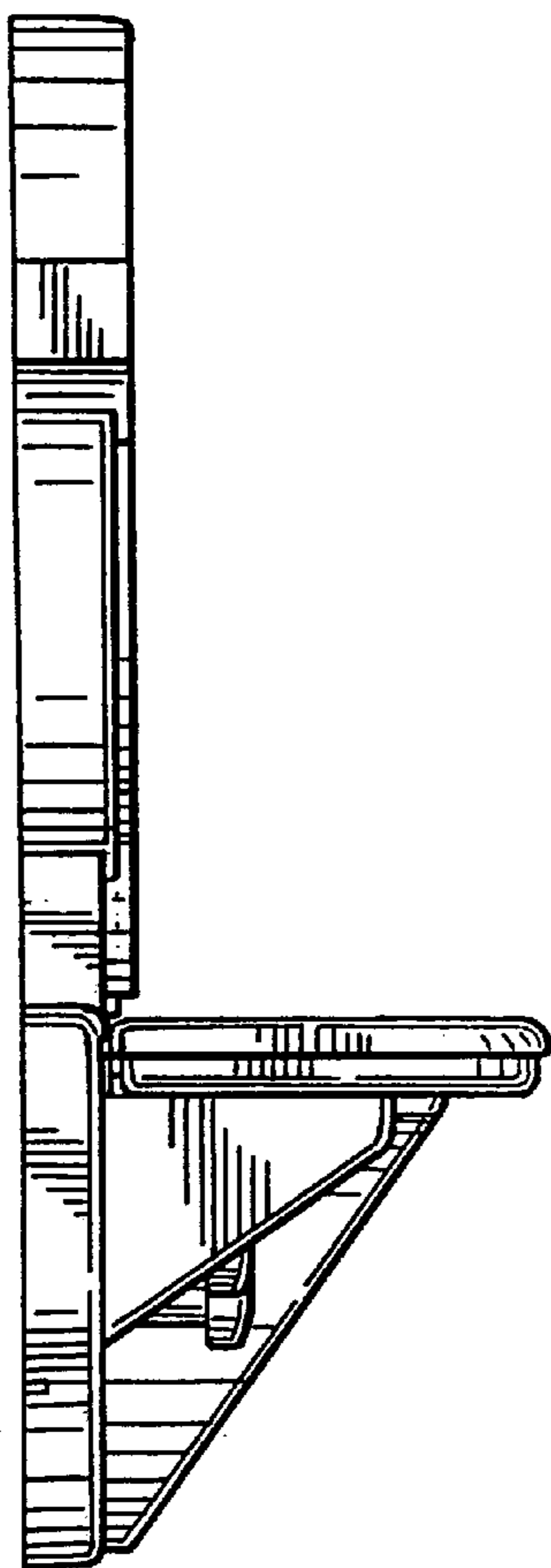


FIG.7

