



US00D414970S

United States Patent [19]
Goodman

[11] **Patent Number: Des. 414,970**

[45] **Date of Patent: ** Oct. 12, 1999**

[54] **PLATE RACK**

[76] Inventor: **Sheldon H. Goodman**, 30905 Stratford,
Solon, Ohio 44139

[**] Term: **14 Years**

[21] Appl. No.: **29/099,431**

[22] Filed: **Jan. 21, 1999**

Related U.S. Application Data

[63] Continuation of application No. 29/082,723, Jan. 28, 1998,
Pat. No. Des. 406,979.

[51] **LOC (6) Cl.** **08-08**

[52] **U.S. Cl.** **D6/566**

[58] **Field of Search** D6/566-567, 569-570,
D6/512; 211/13.1, 41.1, 41.7, 86.01, 87.01,
181.1

[56] **References Cited**

U.S. PATENT DOCUMENTS

D. 131,343	2/1942	Daum	D6/566
D. 339,945	10/1993	Moser	D6/570
D. 388,645	1/1998	Whang	D6/566 X
4,488,649	12/1984	Mark	211/181.1

Primary Examiner—Brian N. Vinson

Attorney, Agent, or Firm—Pearne, Gordon, McCoy &
Granger LLP

[57] **CLAIM**

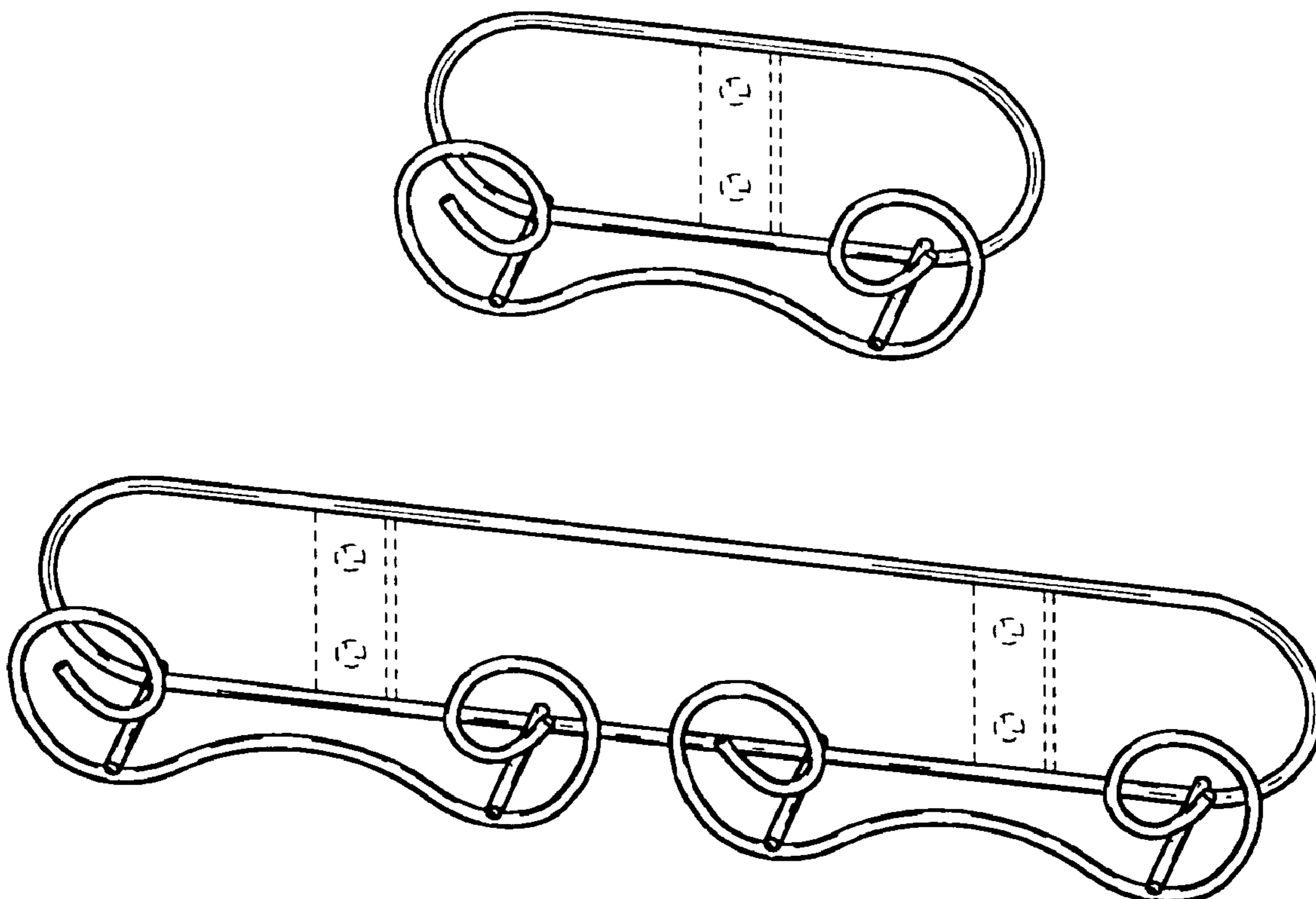
The ornamental design for a plate rack, as shown and
described.

DESCRIPTION

FIG. 1 is a top, front and side perspective view of a plate rack showing my new design;
 FIG. 2 is a front elevational view thereof;
 FIG. 3 is a rear elevational view thereof;
 FIG. 4 is a right side elevational view thereof, the left side elevational view being a mirror image;
 FIG. 5 is a top plan view thereof;
 FIG. 6 is a bottom plan view thereof;
 FIG. 7 is a top, front and side perspective view of a second embodiment of a two-plate rack;
 FIG. 8 is a front elevational view thereof;
 FIG. 9 is a rear elevational view thereof;
 FIG. 10 is a right side elevational view thereof, the left side elevational view being a mirror image;
 FIG. 11 is a top plan view thereof; and,
 FIG. 12 is a bottom plan view thereof.

The broken-line disclosure in the views is for illustrative purposes only and forms no part of the claimed design.

1 Claim, 2 Drawing Sheets



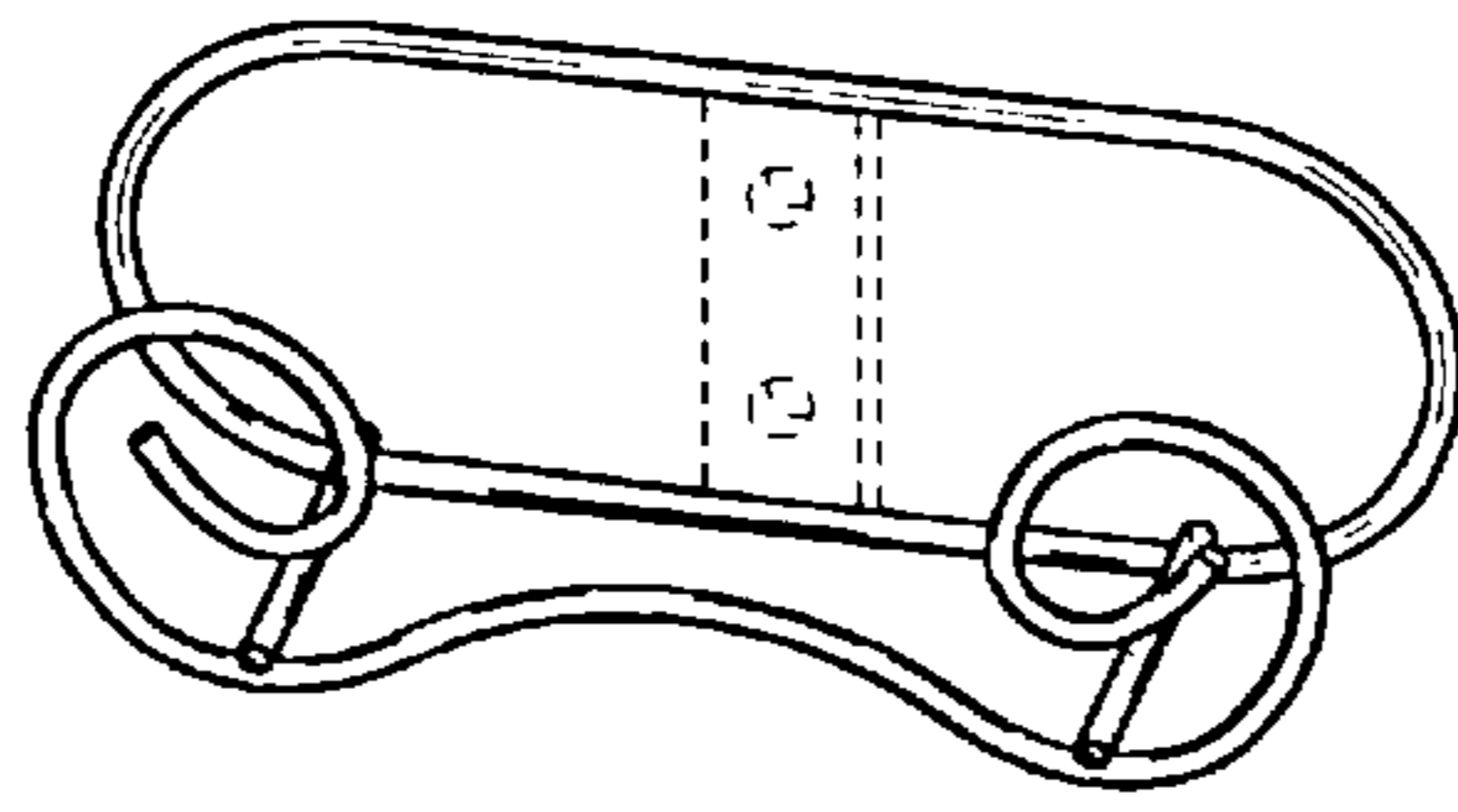


Fig.1

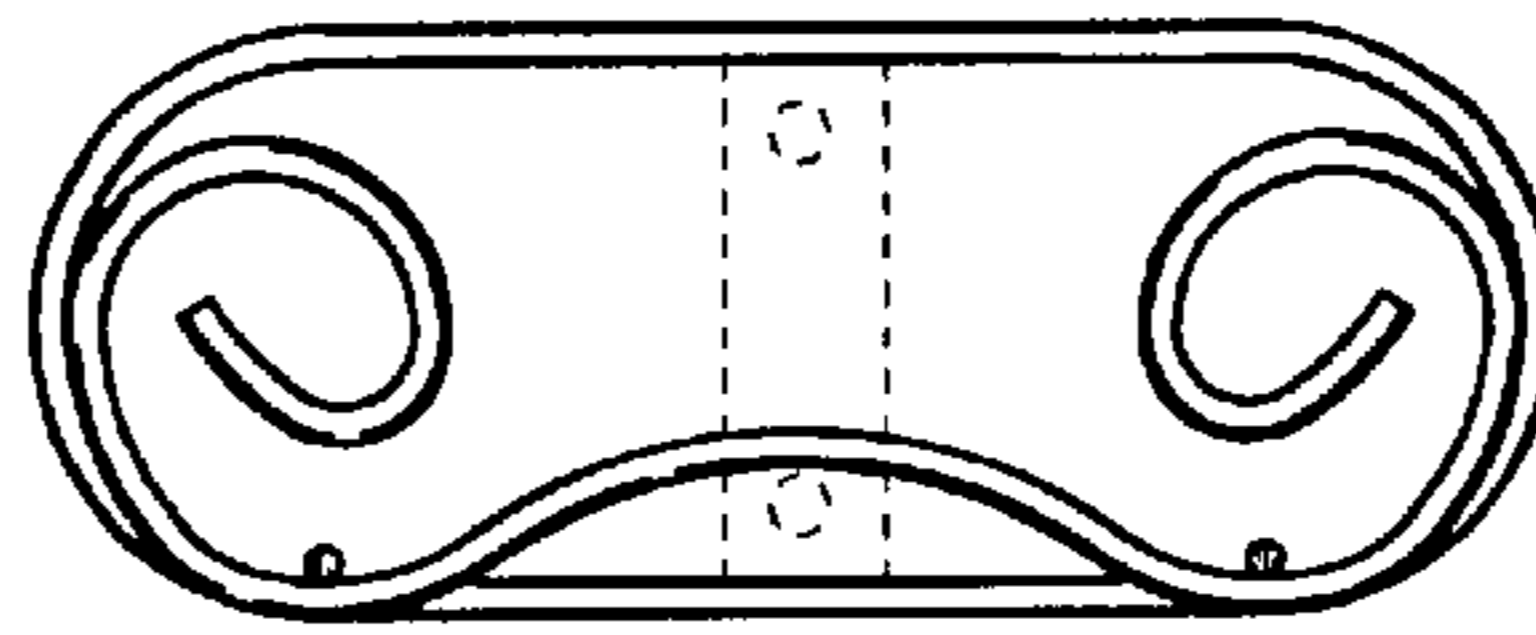


Fig.2

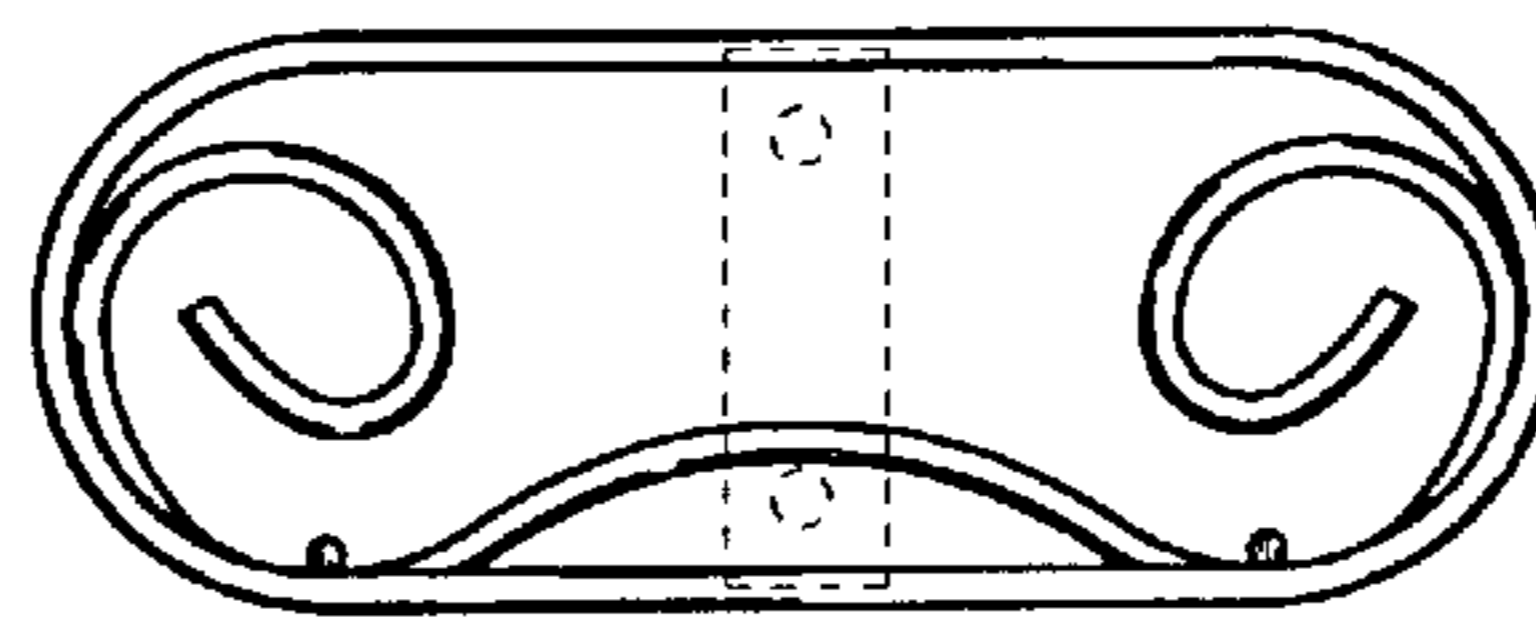


Fig.3

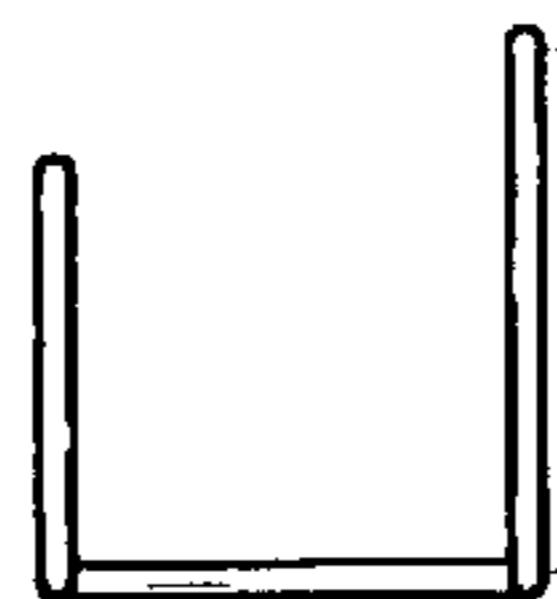


Fig.4

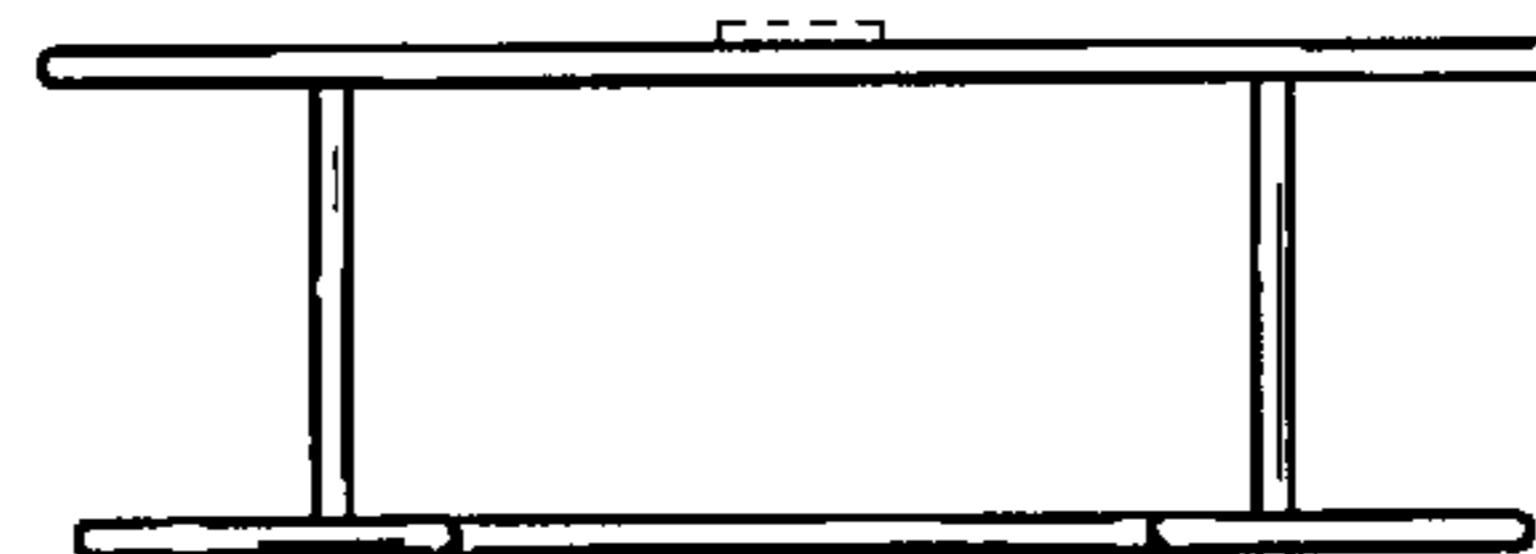


Fig.5

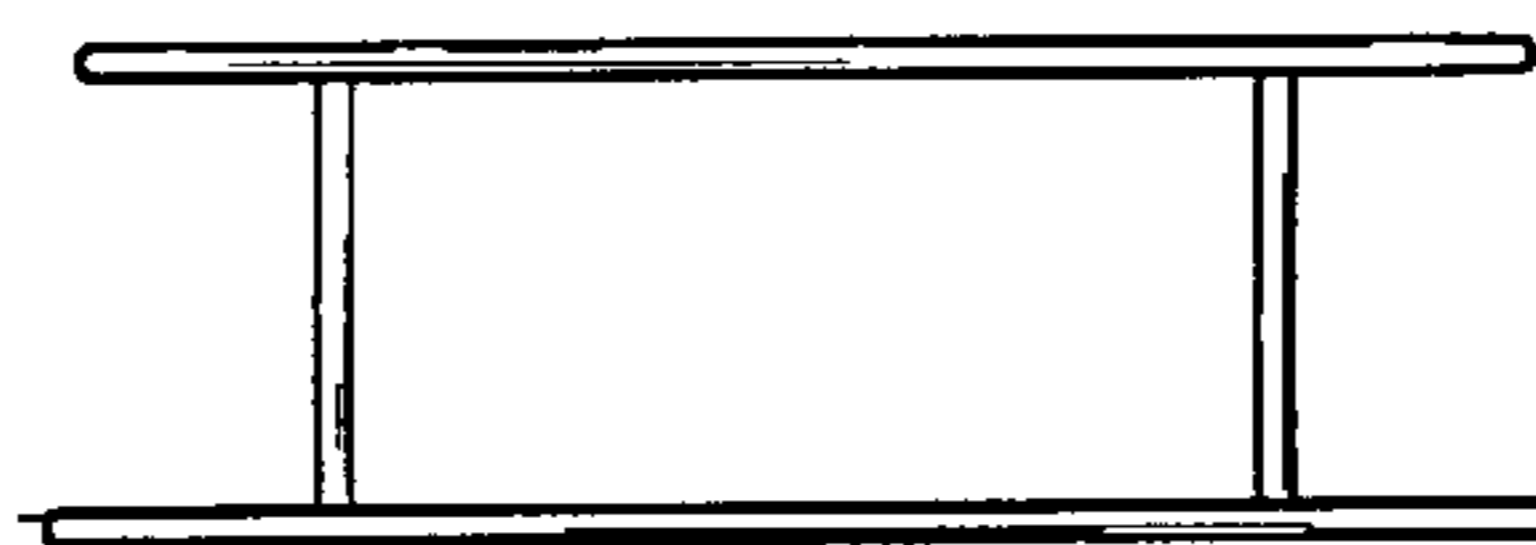


Fig.6

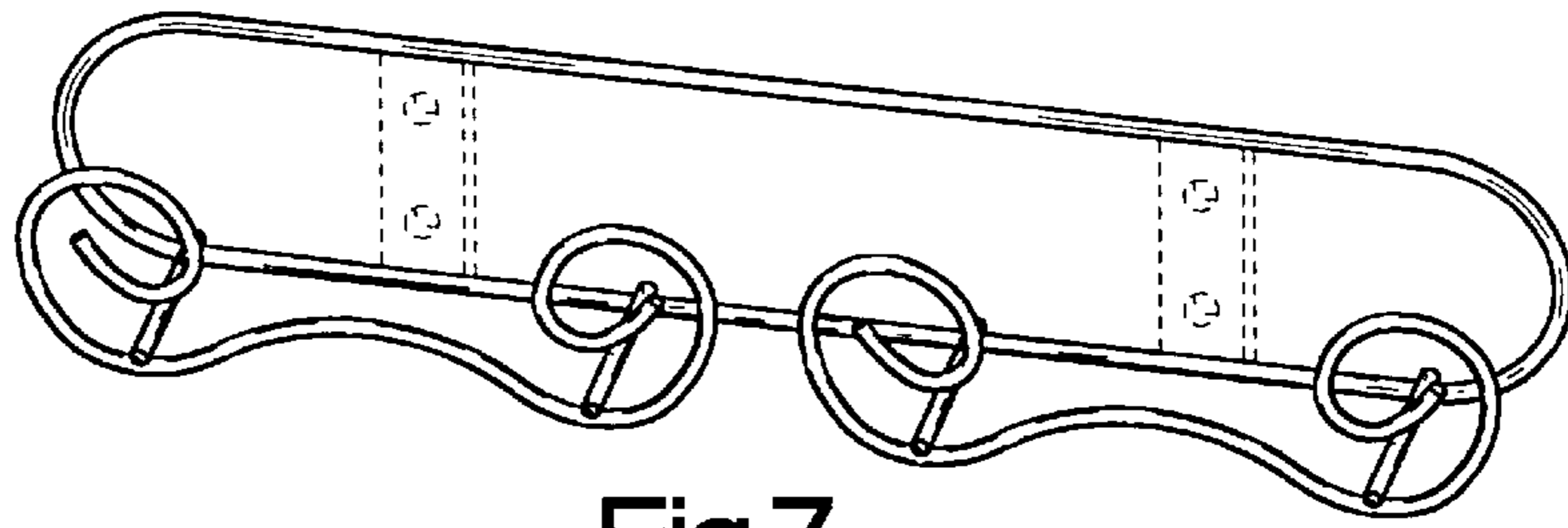


Fig.7

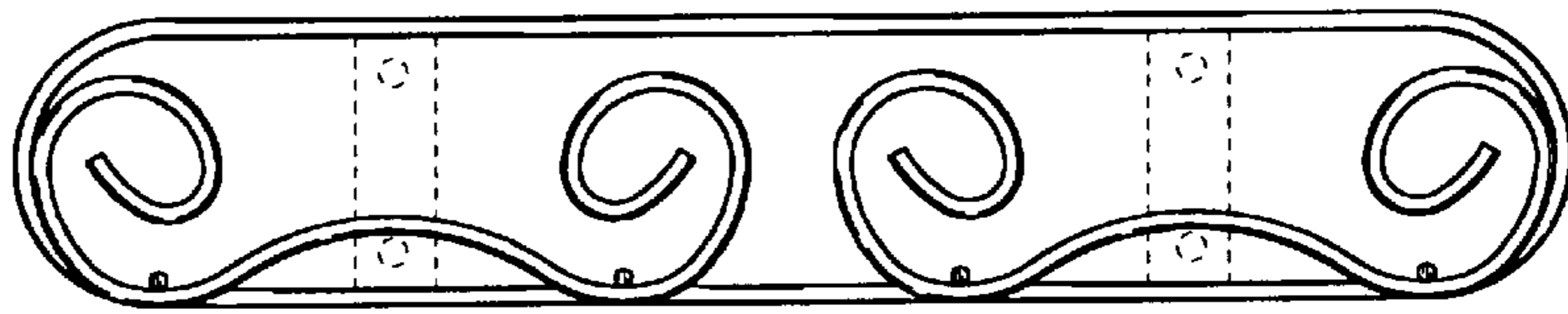


Fig.8

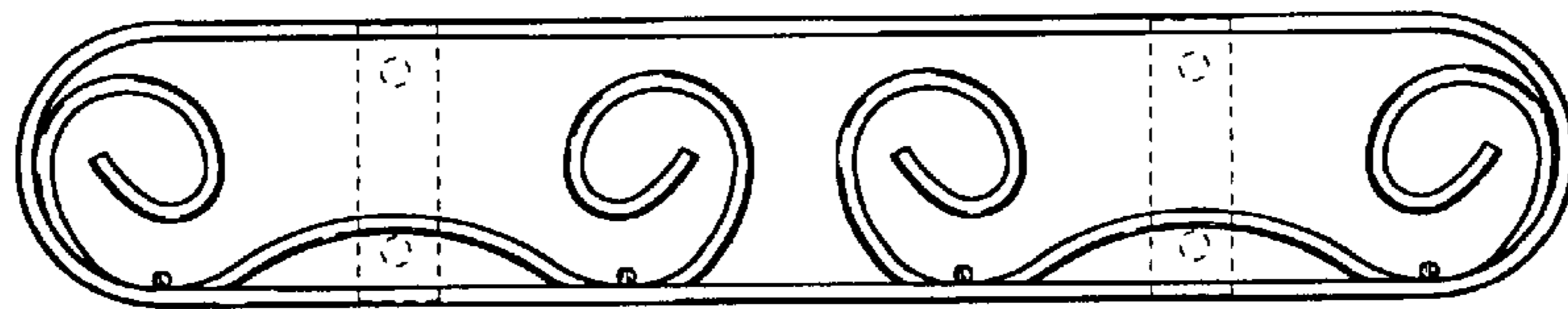


Fig.9

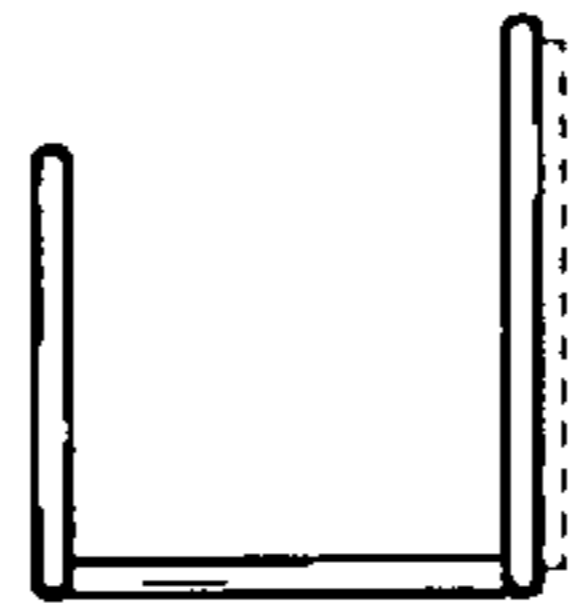


Fig.10

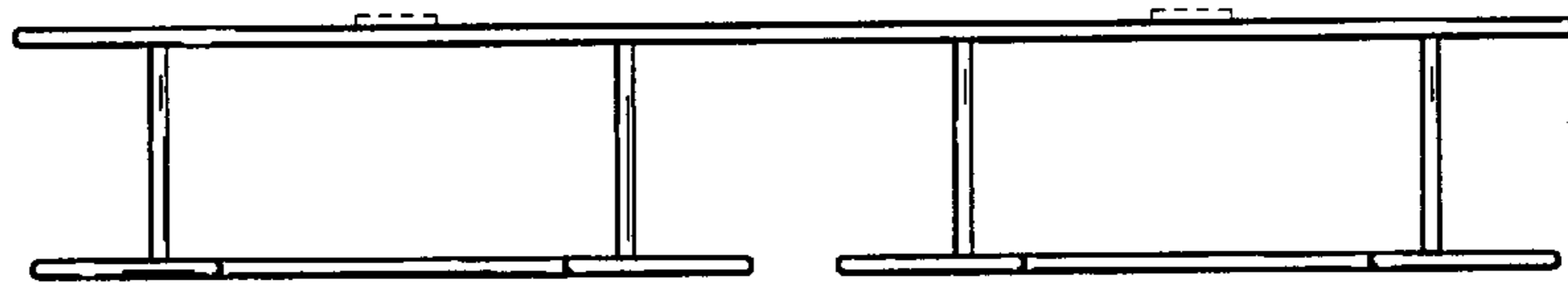


Fig.11

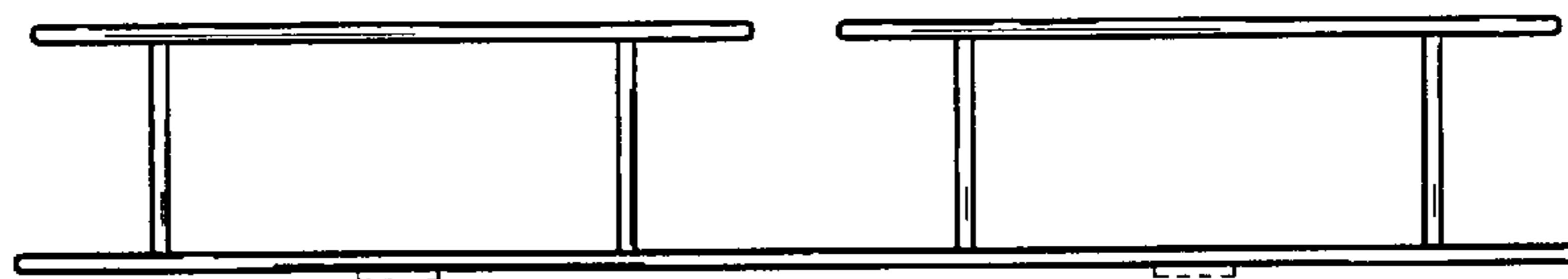


Fig.12