



US00D414966S

United States Patent [19]

Patel et al.

[11] Patent Number: Des. 414,966

[45] Date of Patent: ** Oct. 12, 1999

[54] SHELF

[75] Inventors: **Shailesh Patel**, Glenview; **Michael Thuma**, Des Plaines; **William Duncan Webb, II**, Chicago, all of Ill.; **Philip Charles Walker**, Arlington, Mass.; **David Gregory Honan**, Concord, Mass.; **Andrew Phillip Tosh**, Arlington, Mass.

[73] Assignee: **Selfix, Inc.**, Chicago, Ill.

[**] Term: **14 Years**

[21] Appl. No.: **29/098,942**

[22] Filed: **Jan. 8, 1999**

[51] LOC (6) Cl. **06-04**

[52] U.S. Cl. **D6/511**

[58] Field of Search D6/509-511, 477-479, D6/574; 108/59, 60, 24, 42, 152, 157.11, 157.13, DIG. 91; 211/88.01, 90.01, 126.1, 135, 153, 186-188, 119.003

[56] References Cited

U.S. PATENT DOCUMENTS

D. 388,267	12/1997	Newkirk et al.	D6/479
D. 403,903	1/1999	Calmeise	D6/511
D. 406,713	3/1999	Houk, Jr. et al.	D6/511
D. 409,026	5/1999	Rosko et al.	D6/511

Primary Examiner—Doris V. Coles

Assistant Examiner—Linda Brooks

Attorney, Agent, or Firm—Rockey, Milnamow & Katz

[57] CLAIM

The ornamental design for a shelf, as shown and described.

DESCRIPTION

FIG. 1 is a perspective view of a shelf, showing our new design;

FIG. 2 is a front elevational view thereof;

FIG. 3 is a right side elevational view thereof, the left side elevational view being the mirror image thereof;

FIG. 4 is a top plan view thereof; and,

FIG. 5 is a bottom plan view thereof.

1 Claim, 2 Drawing Sheets

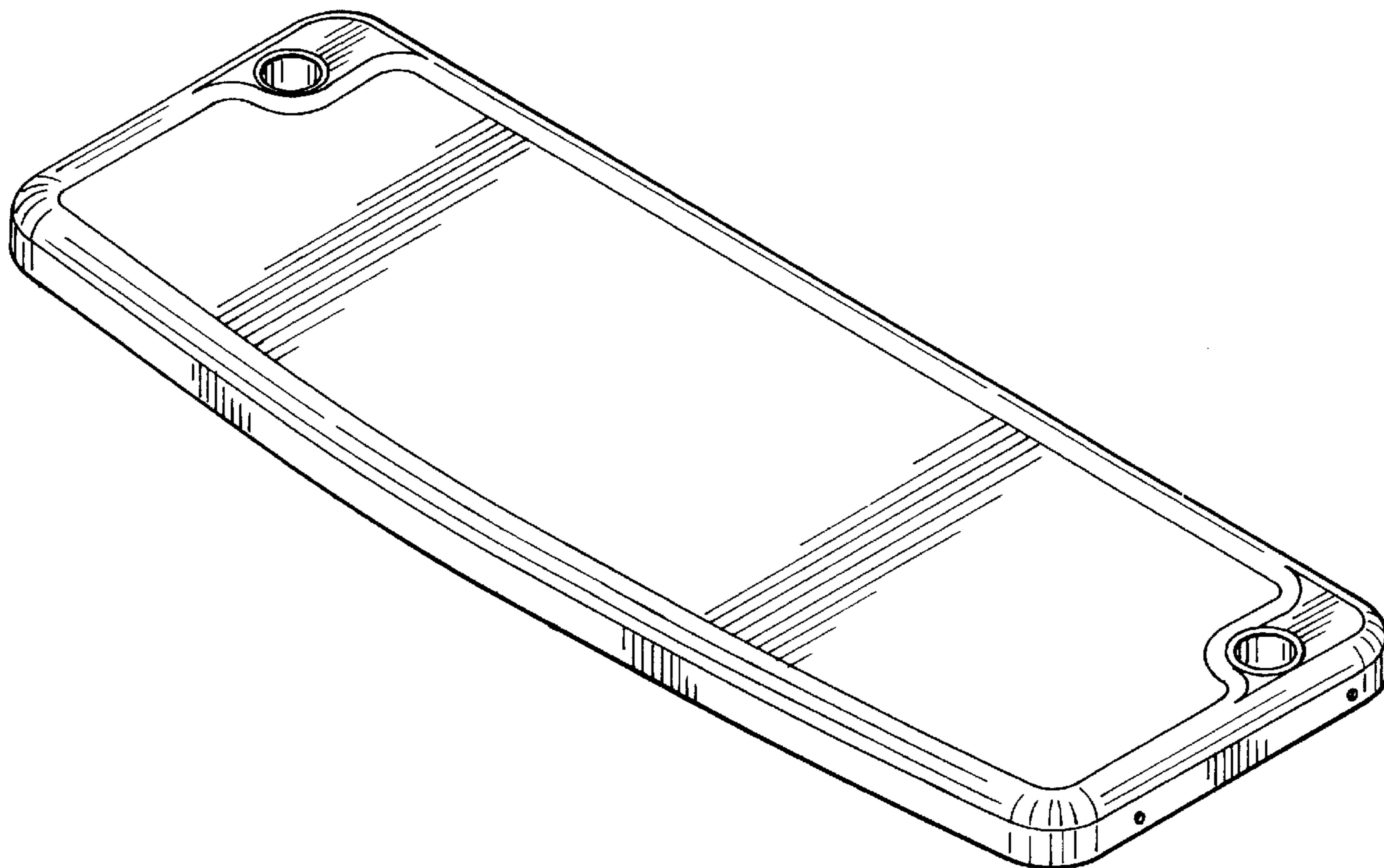


FIG.1

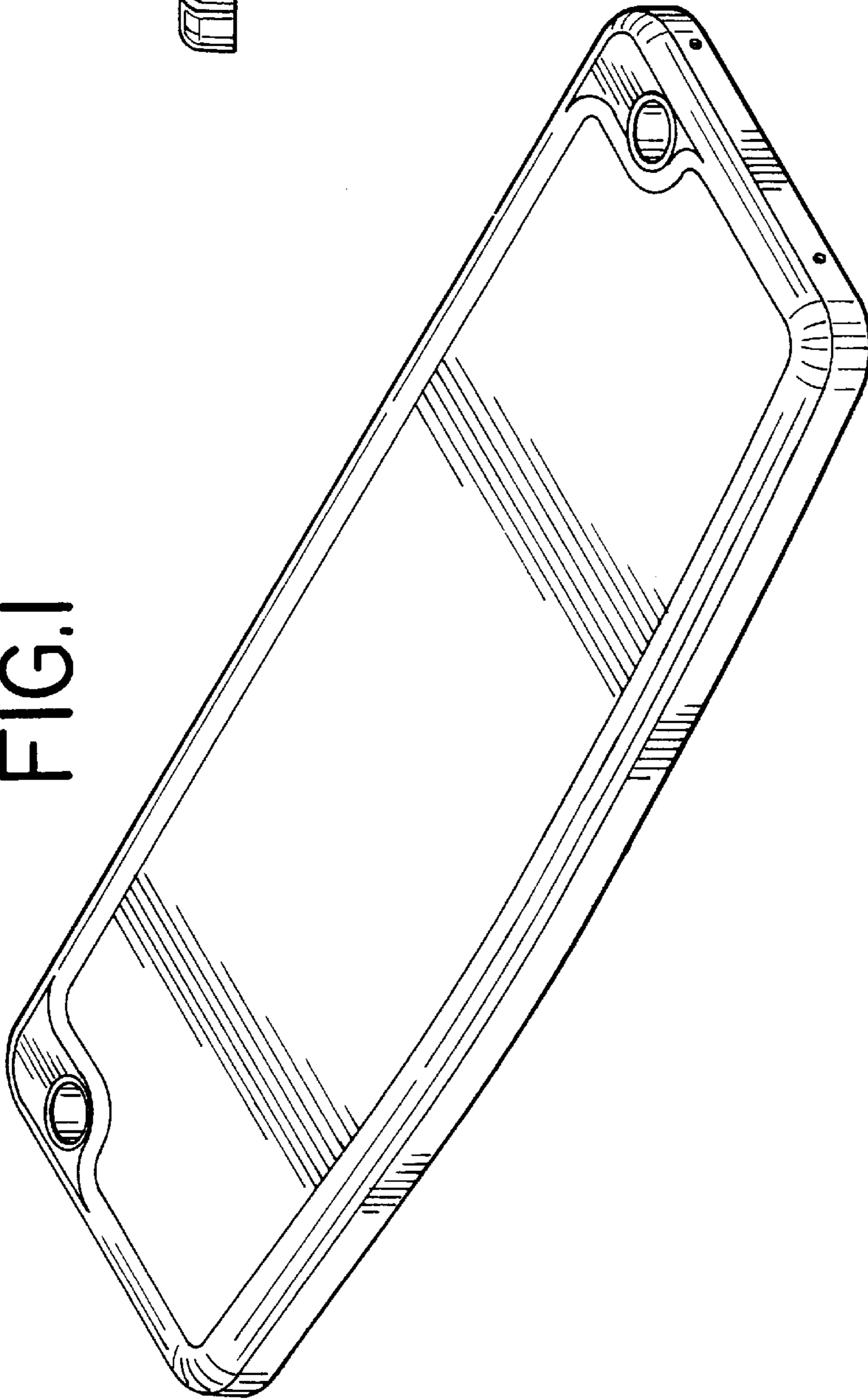


FIG.3

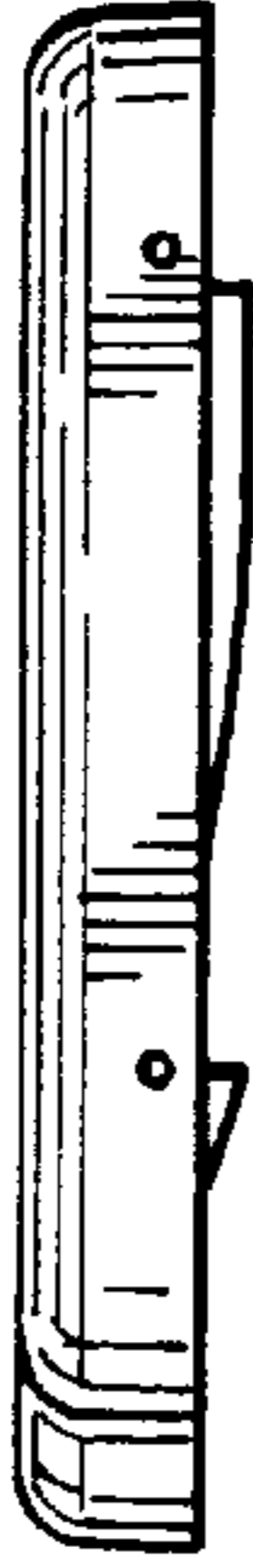


FIG.2



FIG.4

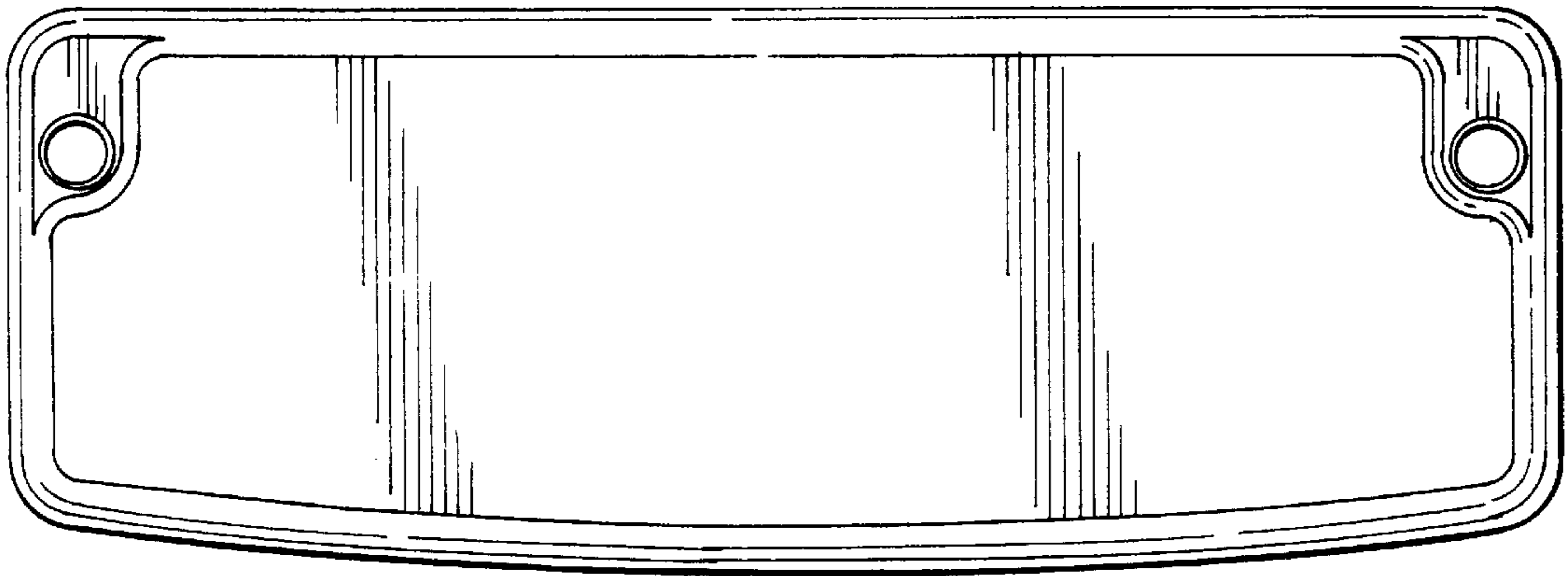


FIG.5

