



US00D414962S

# United States Patent [19] Welsh

[11] Patent Number: Des. 414,962

[45] Date of Patent: \*\* Oct. 12, 1999

[54] **KEYBOARD STAND**

**DESCRIPTION**

[76] Inventor: Steve Welsh, 138 W. Railroad St., Nesquehoning, Pa. 18240

[\*\*] Term: 14 Years

[21] Appl. No.: 29/084,898

[22] Filed: Mar. 12, 1998

[51] LOC (6) Cl. .... 06-06

[52] U.S. Cl. .... D6/462; D17/99

[58] Field of Search ..... D6/462, 466; D14/114; D17/99; 248/157, 122.1, 125.8, 163.1, 918

[56] **References Cited**

**U.S. PATENT DOCUMENTS**

D. 236,227	8/1975	Kester, Jr. ....	D6/462
D. 327,105	6/1992	Smith, Jr. ....	D6/462
D. 353,729	12/1994	MacOwan ....	D6/466
D. 383,333	9/1997	Mechem, Jr. ....	D6/462
5,681,017	10/1997	Clausen ....	248/125.1

Primary Examiner—Adir Aronovich  
Attorney, Agent, or Firm—Eckert Seamans Cherin & Mellott, LLC

[57] **CLAIM**

The ornamental design for a keyboard stand, as shown and described.

FIG. 1 is a perspective view of a keyboard stand in an erected state according to the inventive design;

FIG. 2 is a perspective view of a keyboard stand in a collapsed state according to the inventive design;

FIG. 3 is a perspective view of a keyboard stand according to the inventive design showing a keypad mounted thereon in phantom view;

FIG. 4 is a top plan view of a keyboard stand according to the inventive design;

FIG. 5 is a front elevational view of a keyboard stand according to the inventive design;

FIG. 6 is a right side elevational view of a keyboard stand according to the inventive design;

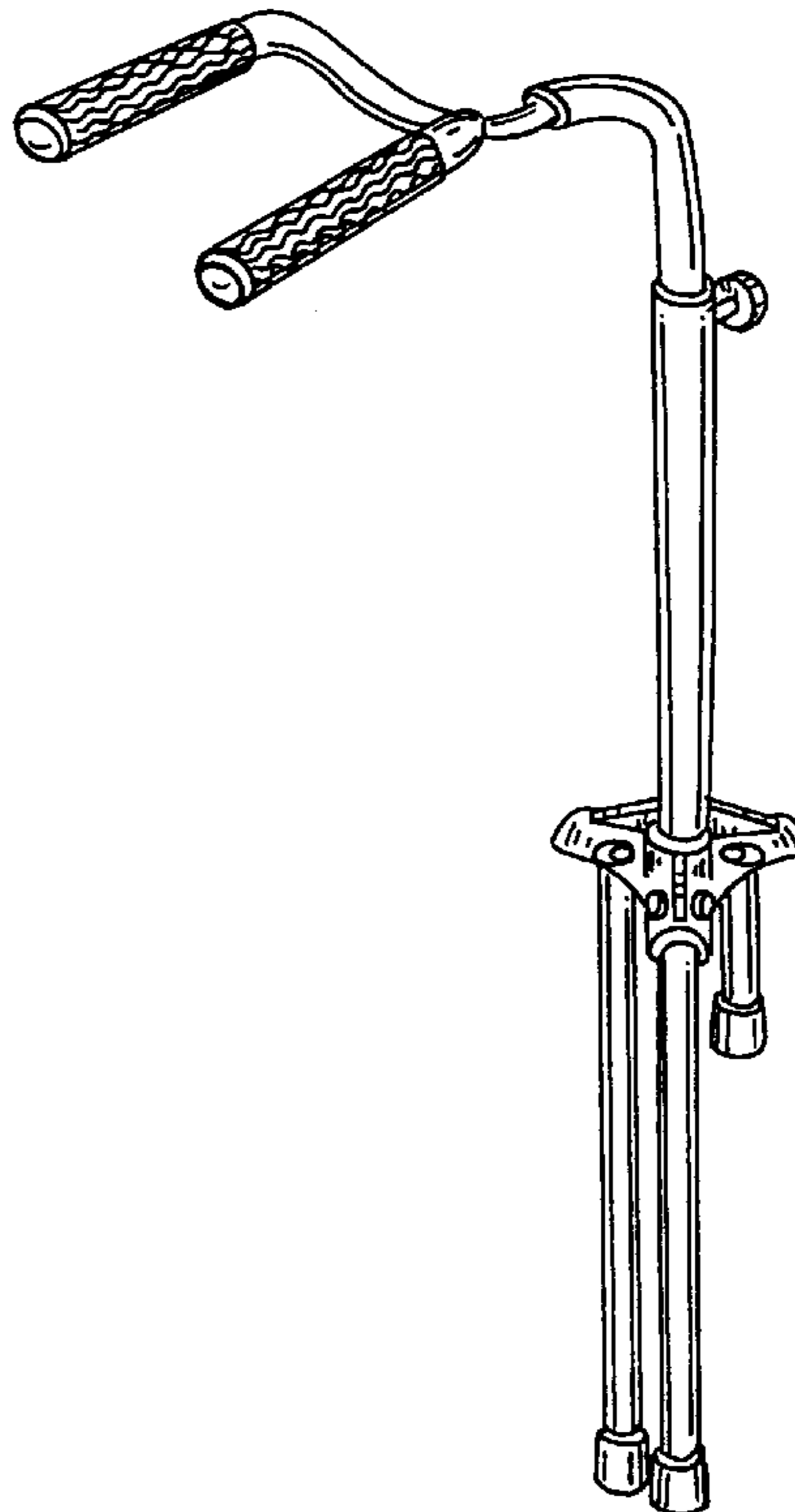
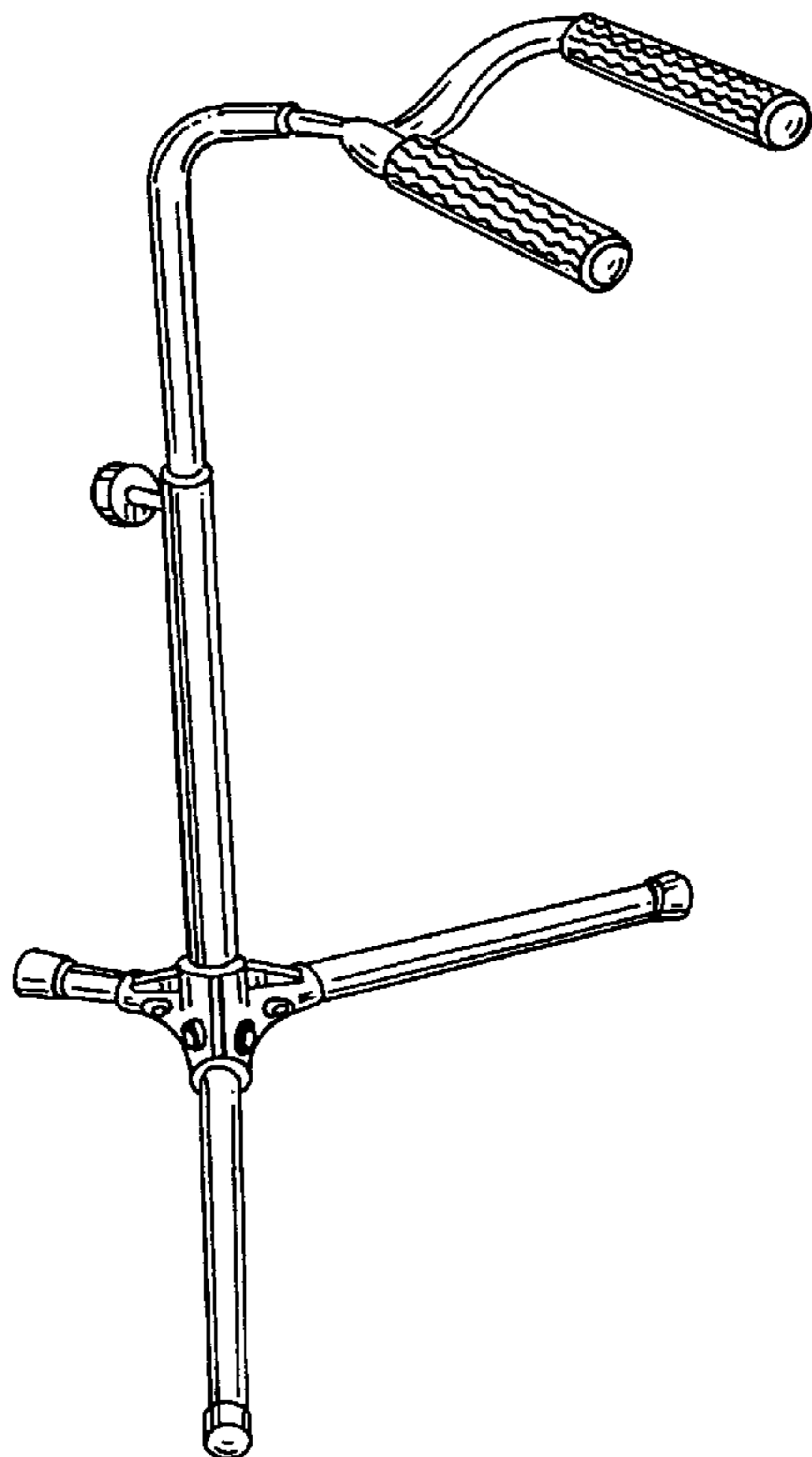
FIG. 7 is a back elevational view of a keyboard stand according to the inventive design;

FIG. 8 is a left side elevational view of a keyboard stand according to the inventive design; and,

FIG. 9 is a bottom plan view of a keyboard stand according to the inventive design.

The broken line showing of a keyboard in FIG. 3 is for illustrative purposes only and forms no part of the claimed design.

1 Claim, 3 Drawing Sheets



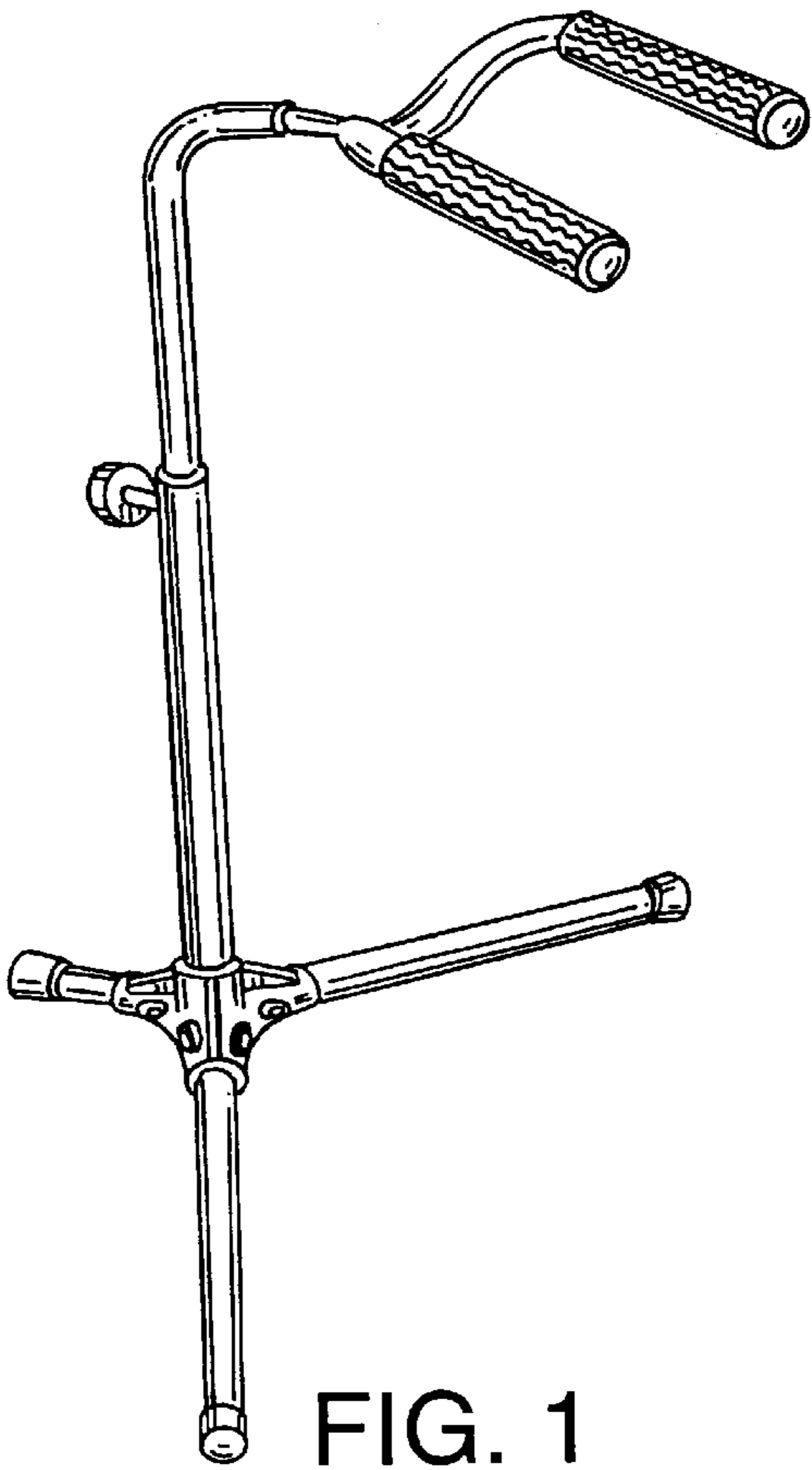


FIG. 1

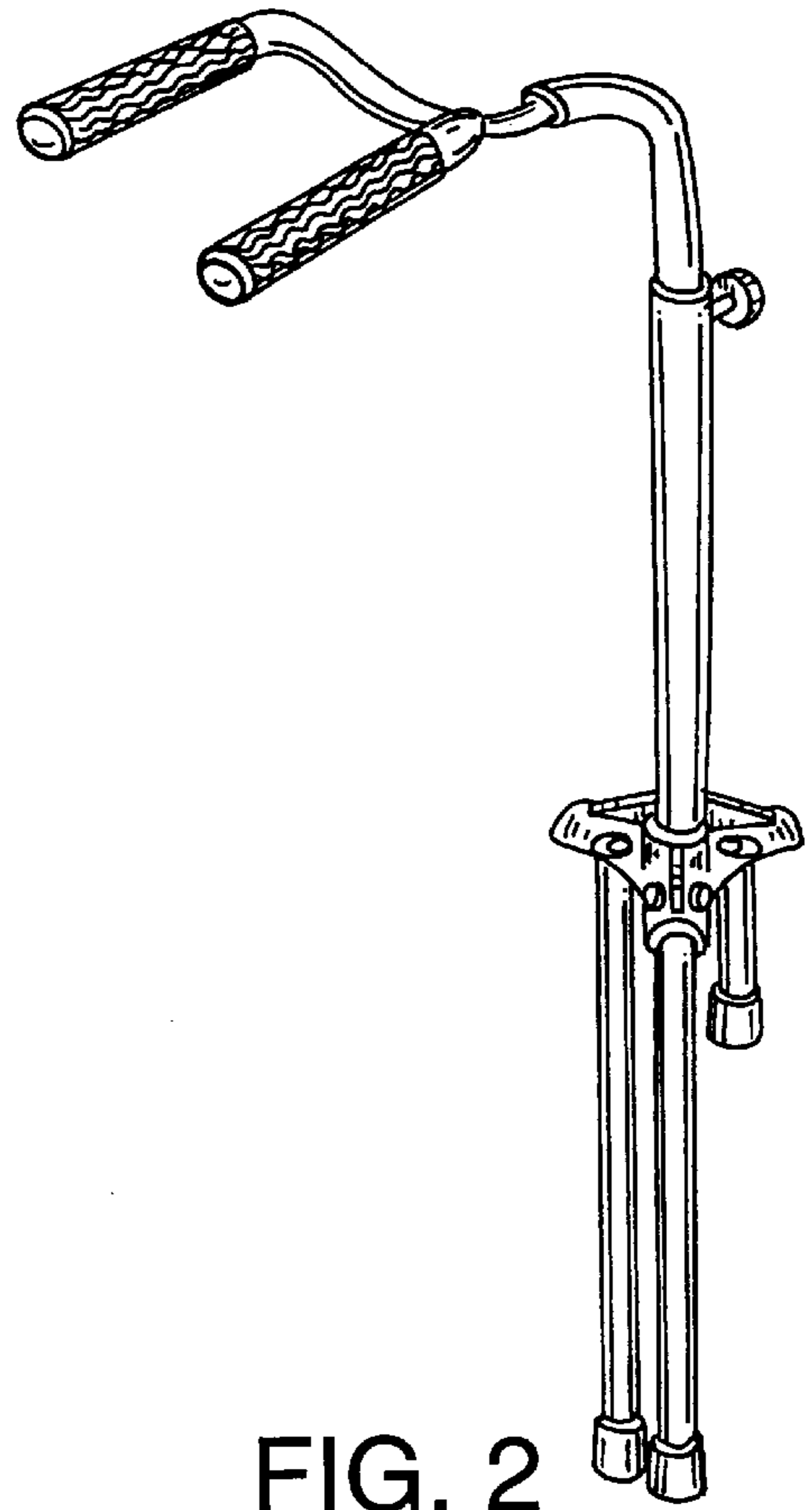


FIG. 2

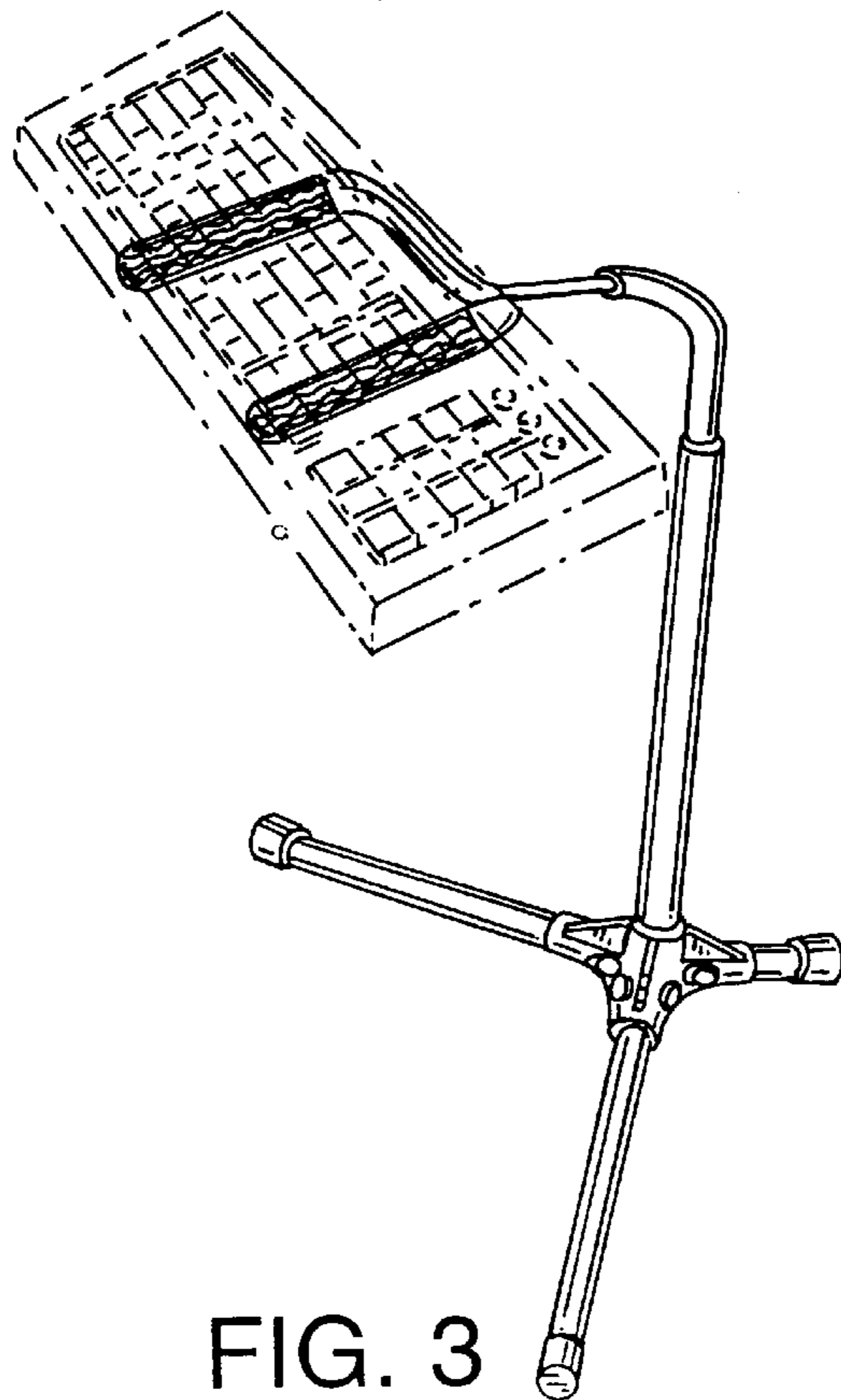


FIG. 3

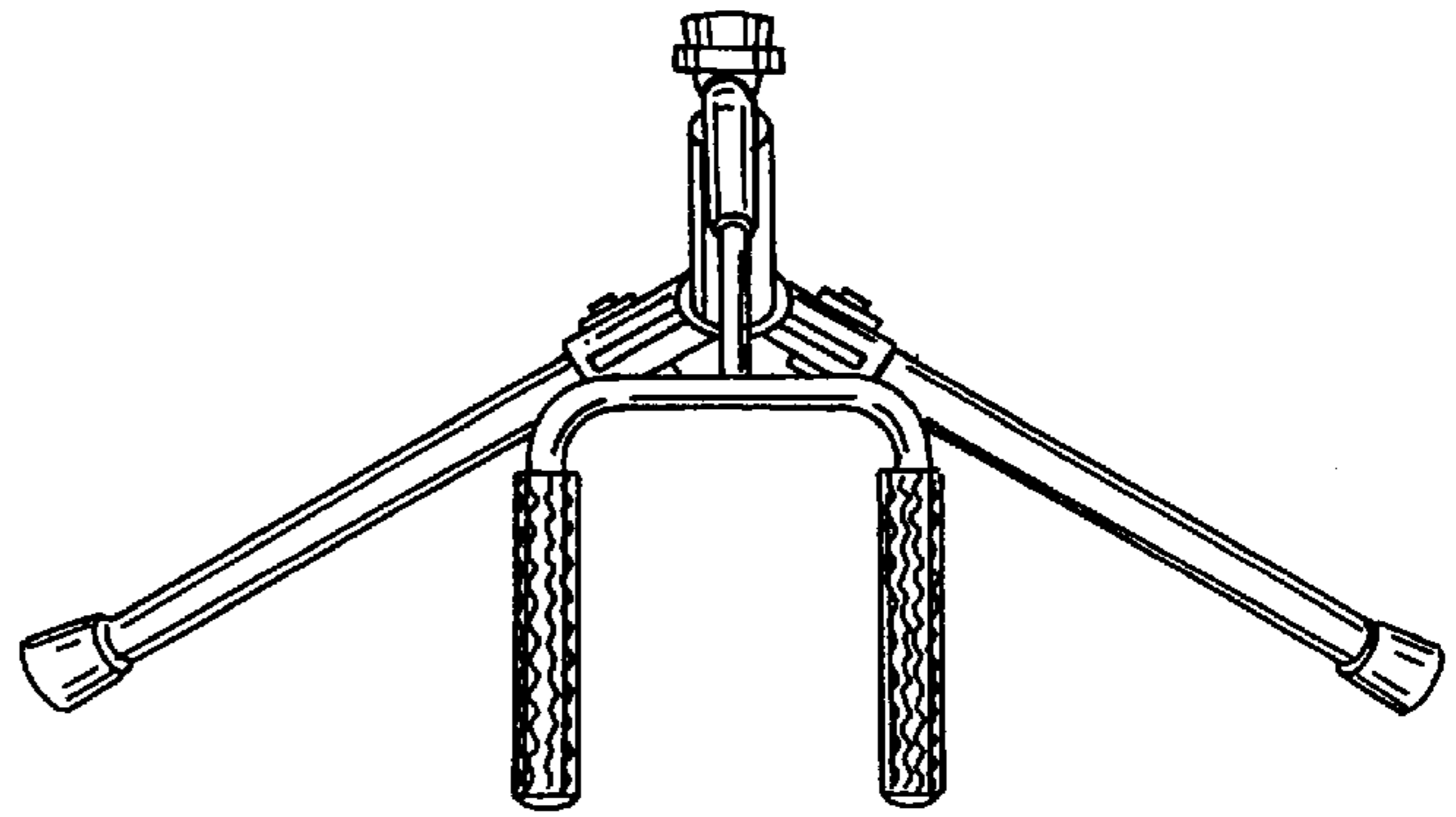


FIG. 4

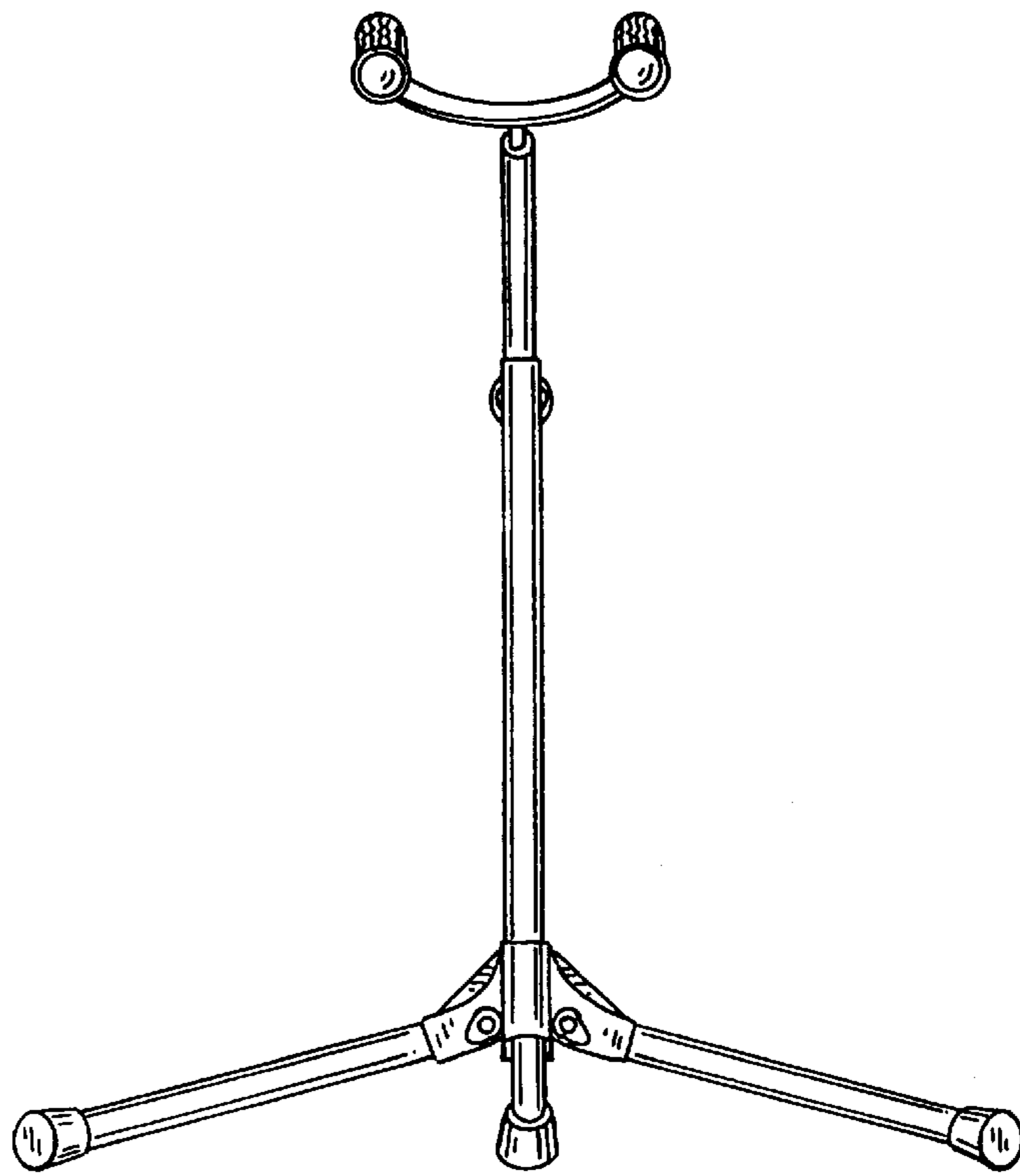


FIG. 5

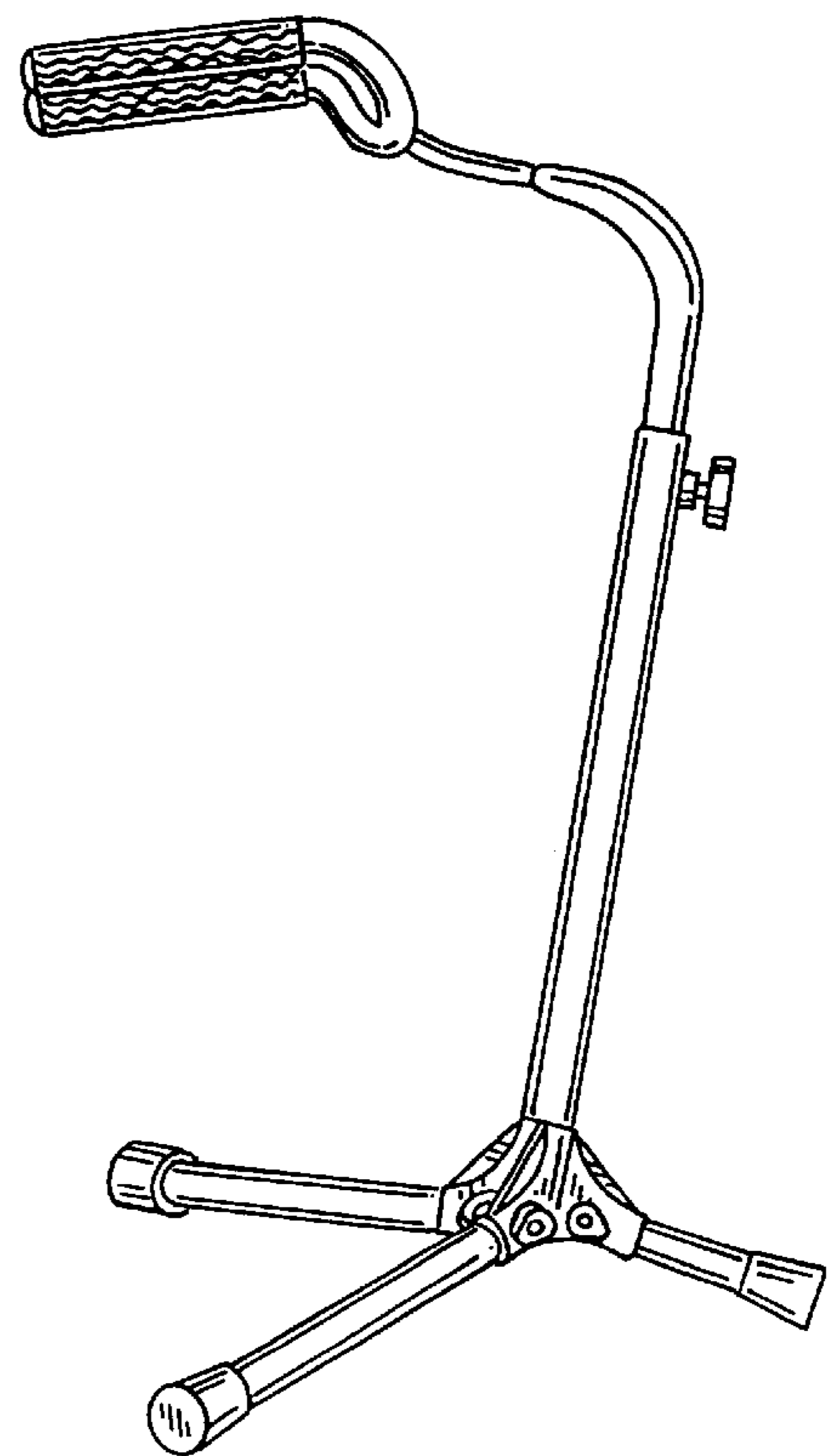


FIG. 6

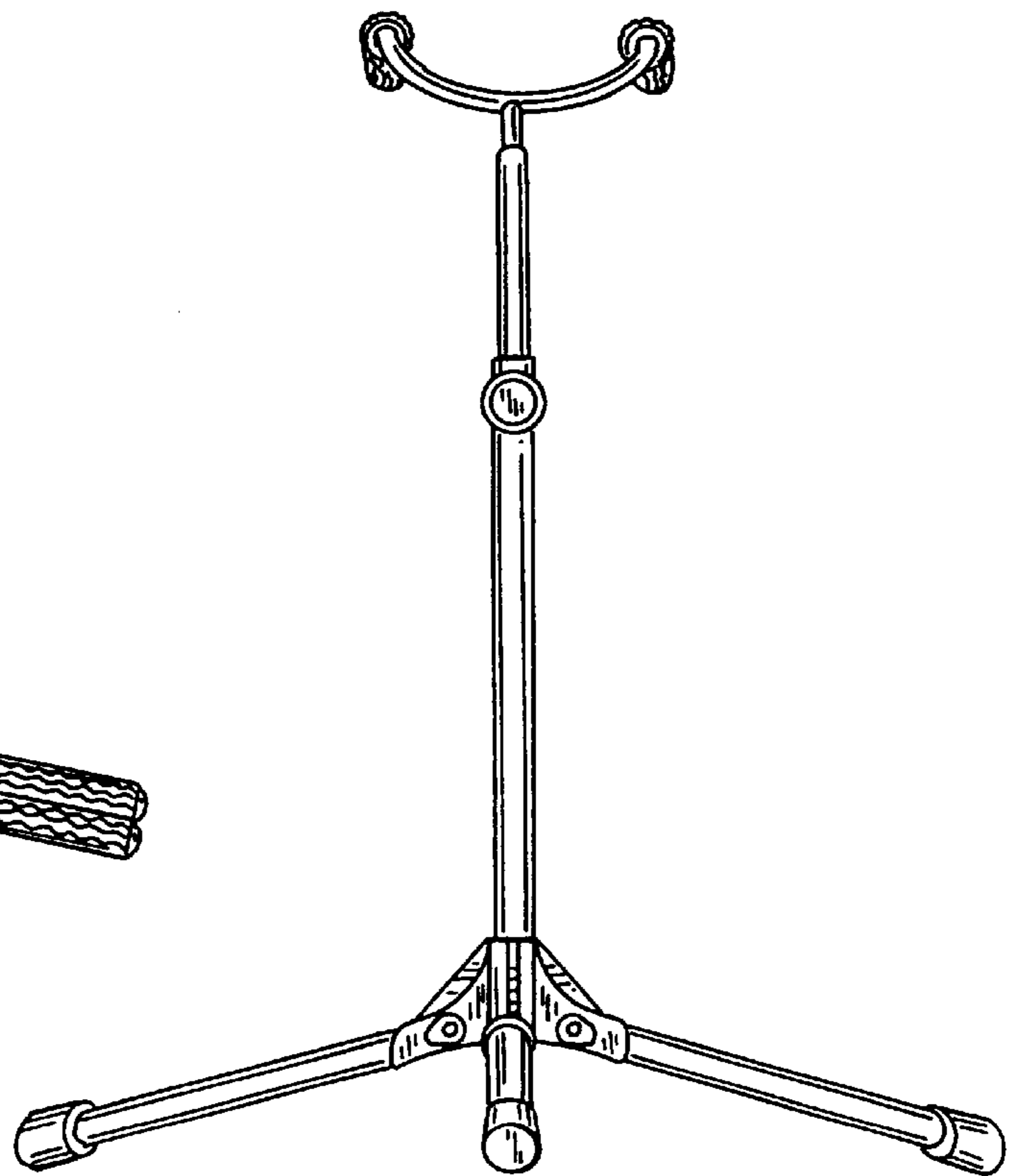


FIG. 7

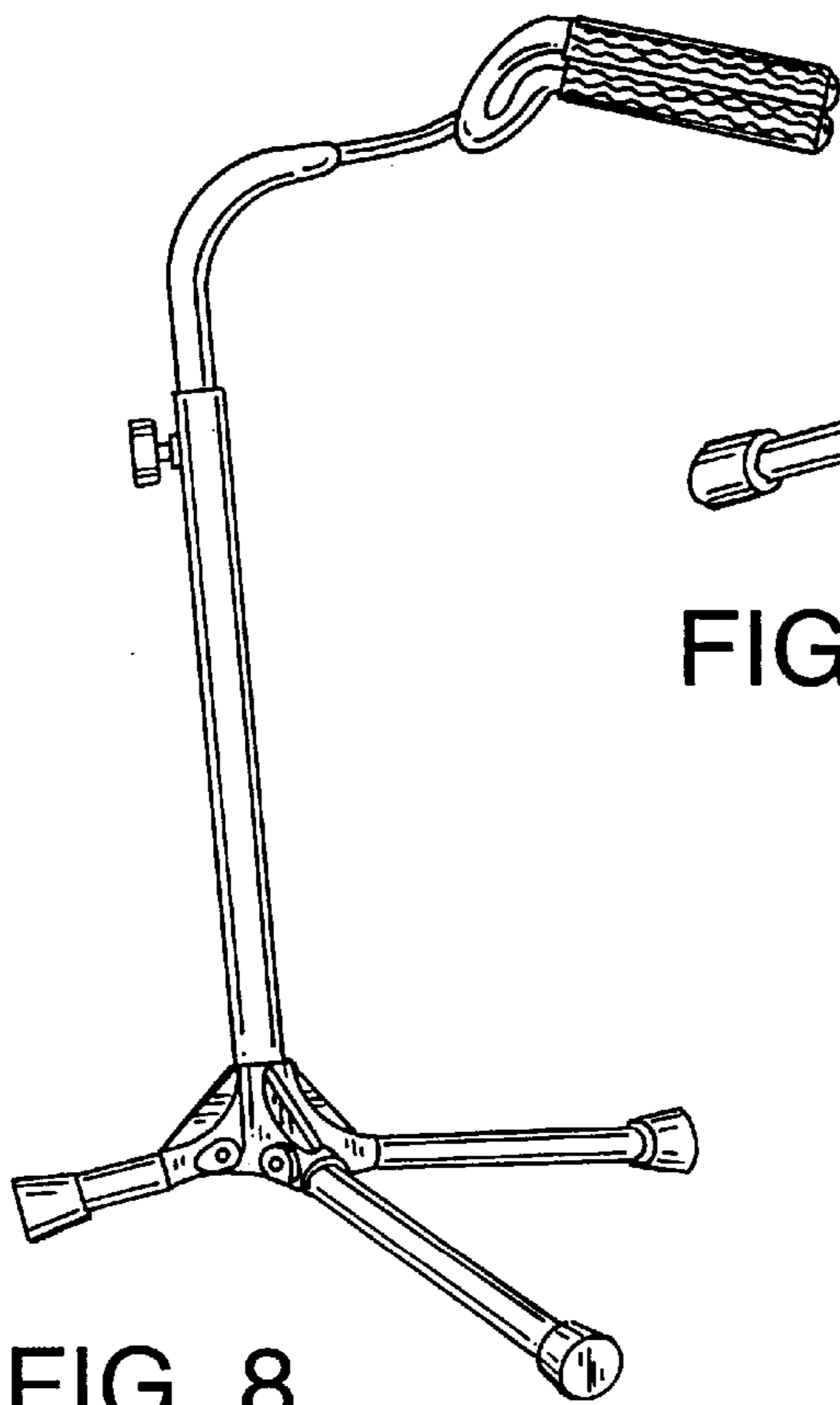


FIG. 8

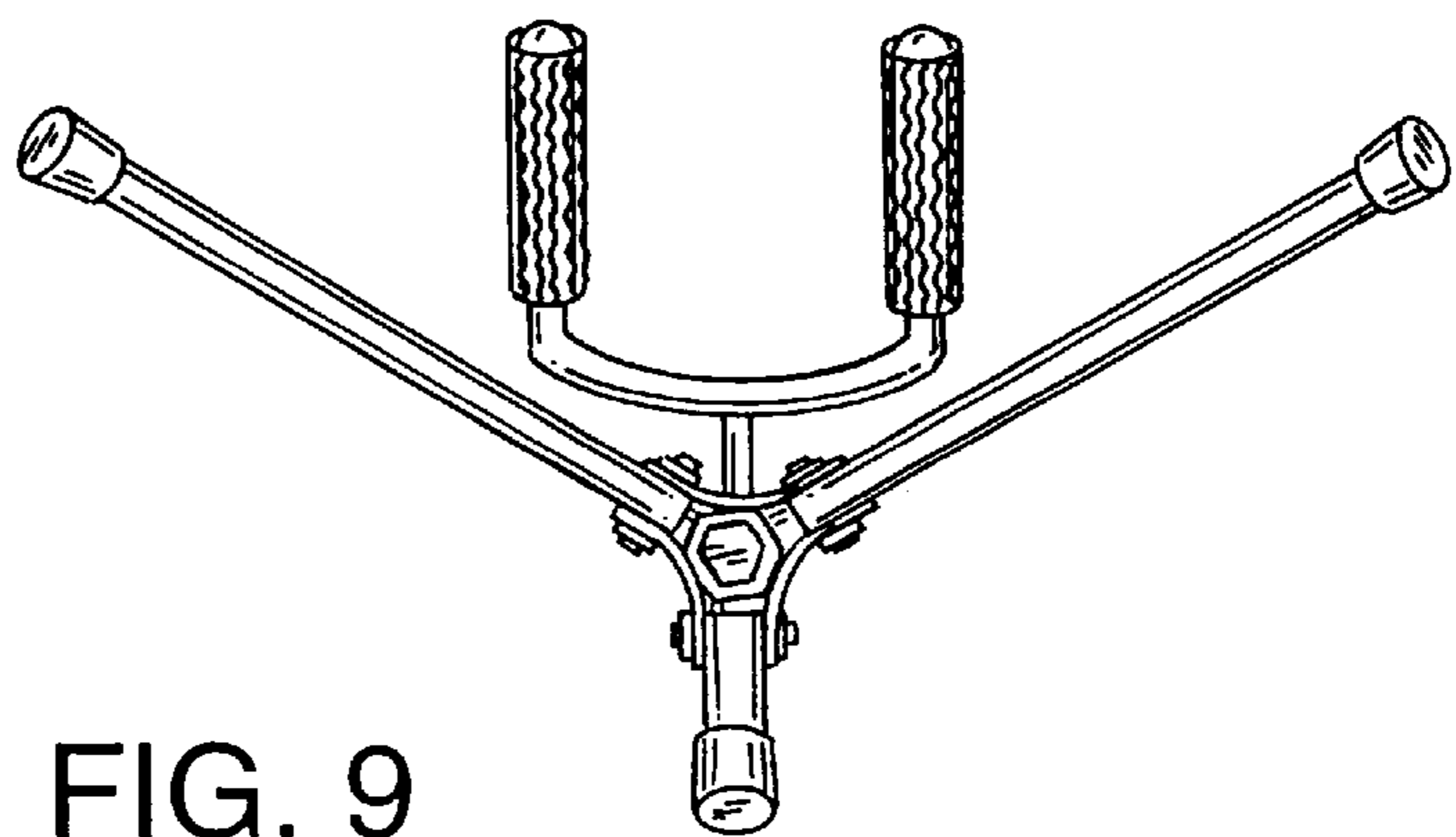


FIG. 9