



US00D414961S

United States Patent [19]
Patel et al.

[11] **Patent Number: Des. 414,961**
[45] **Date of Patent: ** Oct. 12, 1999**

[54] **POLE MOUNTED SHELF UNIT**

[75] Inventors: **Shailesh Patel**, Glenview; **Michael Thuma**, Des Plaines; **William Duncan Webb, II**, Chicago, all of Ill.; **Philip Charles Walker**, Arlington, Mass.; **David Gregory Honan**, Concord, Mass.; **Andrew Phillip Tosh**, Arlington, Mass.

[73] Assignee: **Selfix, Inc.**, Chicago, Ill.

[**] Term: **14 Years**

[21] Appl. No.: **29/098,939**

[22] Filed: **Jan. 8, 1999**

[51] **LOC (6) Cl.** **06-04**

[52] **U.S. Cl.** **D6/437**

[58] **Field of Search** D6/432, 436, 437-439, D6/441, 445-448, 477-479; 211/113.1, 133.1, 90.01, 90.02, 119.003, 119.004, 126.14, 134, 153, 186-188; 108/59, 91, 60, 108-111, 157.11, 157.13; 312/204, 257.1, 107-109.237

[56] **References Cited**

U.S. PATENT DOCUMENTS

D. 392,121	3/1998	Newkirk et al.	D6/437
D. 400,739	11/1998	Sheng	D6/479
D. 406,476	3/1999	Boije	D6/436
3,964,810	6/1976	Murphy	312/257.1

Primary Examiner—Doris V. Coles
Assistant Examiner—Linda Brooks
Attorney, Agent, or Firm—Rockey, Milnamow & Katz

[57] **CLAIM**

The ornamental design for a pole mounted shelf unit, as shown and described.

DESCRIPTION

FIG. 1 is a perspective view of a pole mounted storage unit, showing our new design;
FIG. 2 is a front elevational view thereof;
FIG. 3 is a right side elevational view thereof, the left side elevational view being the mirror image thereof;
FIG. 4 is a rear elevational view thereof;
FIG. 5 is a top plan view thereof; and,
FIG. 6 is a bottom plan view thereof.

1 Claim, 4 Drawing Sheets

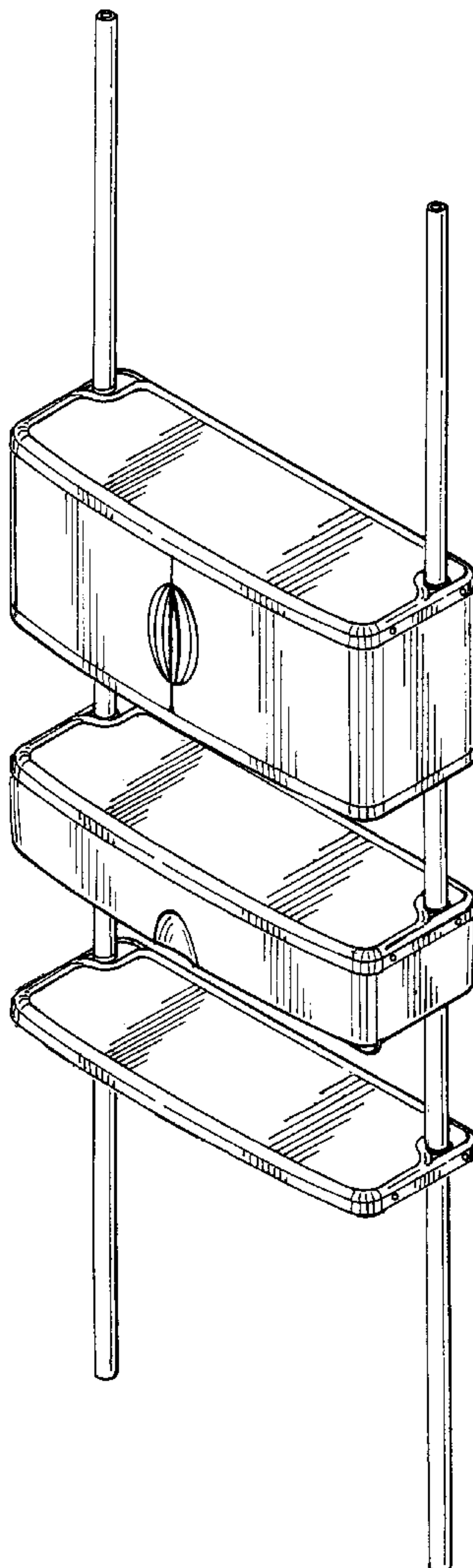


FIG. 1

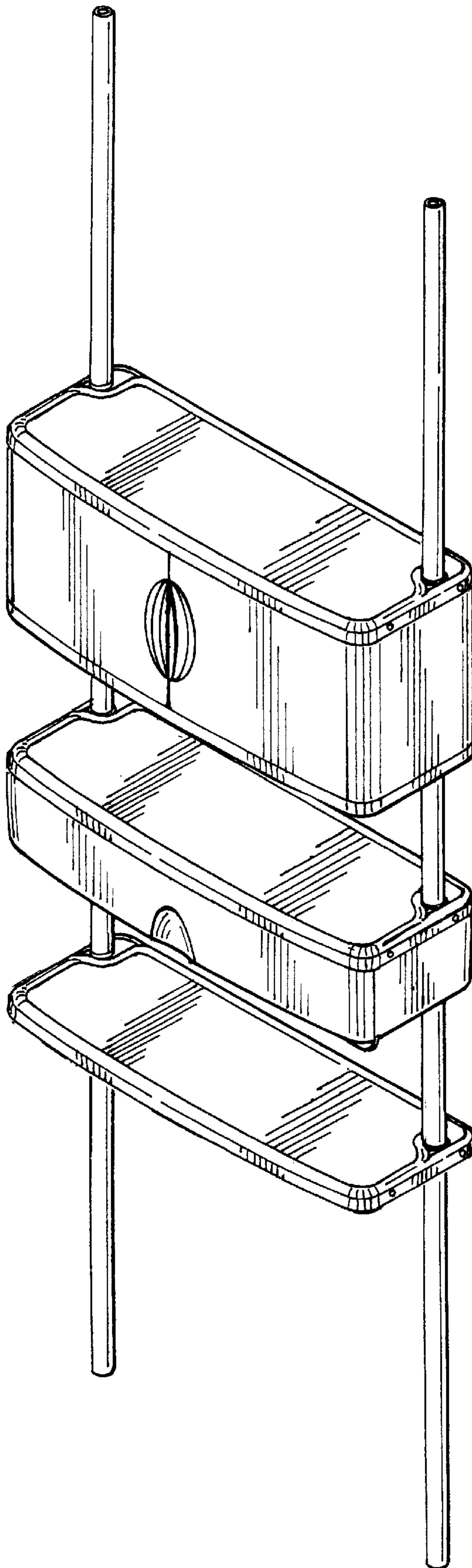


FIG.2

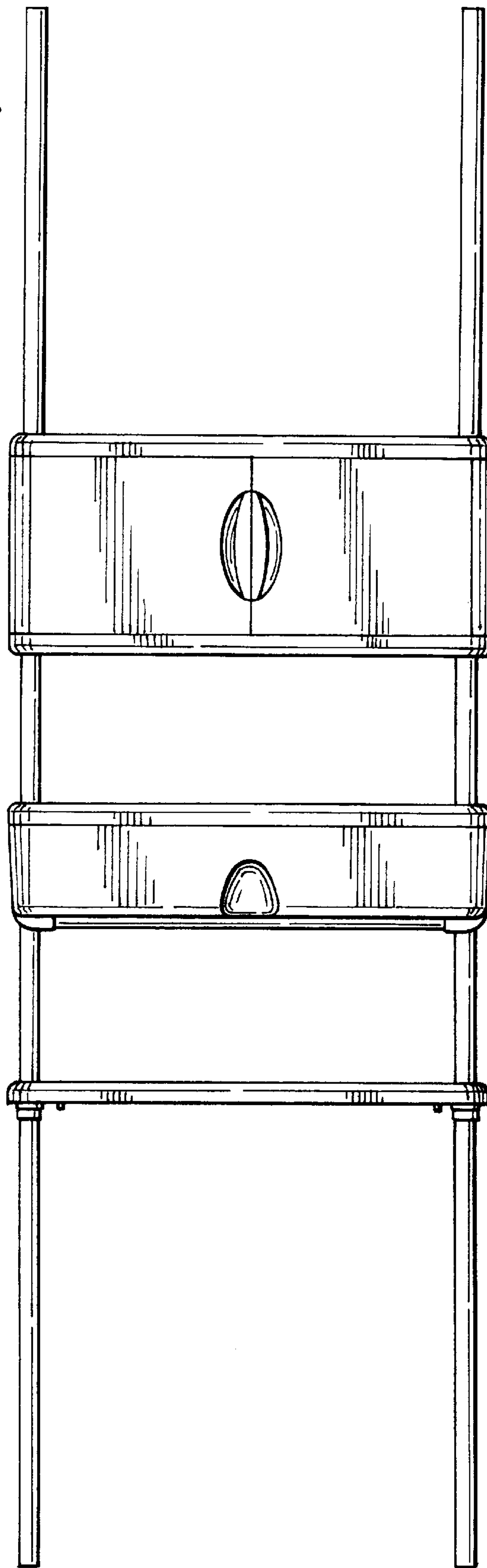


FIG.3

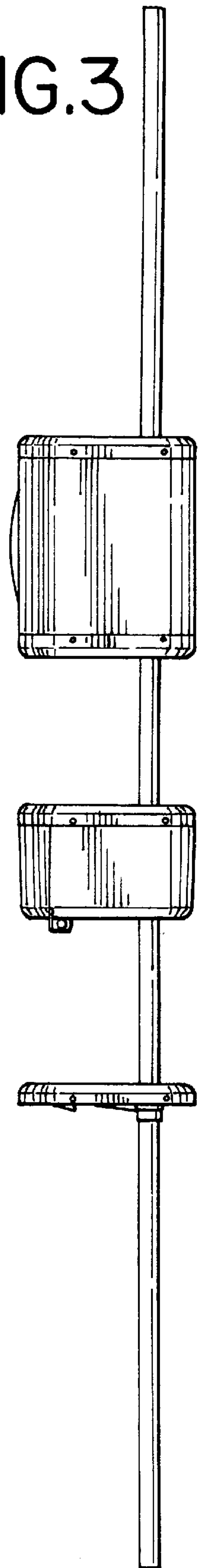


FIG.4

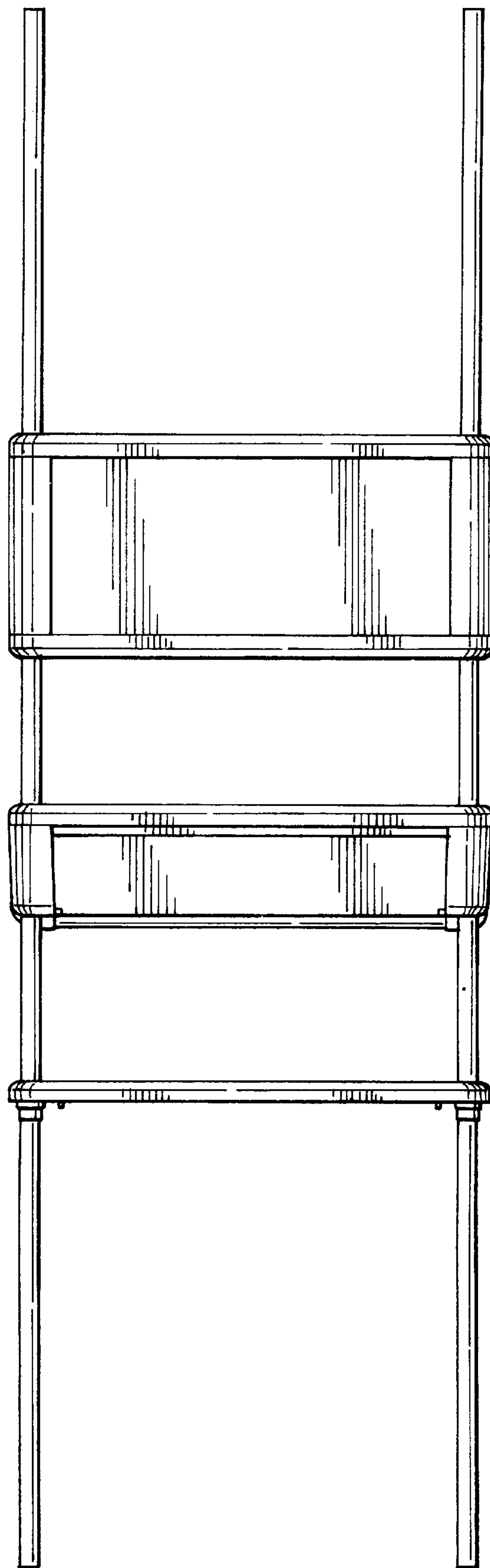


FIG.5

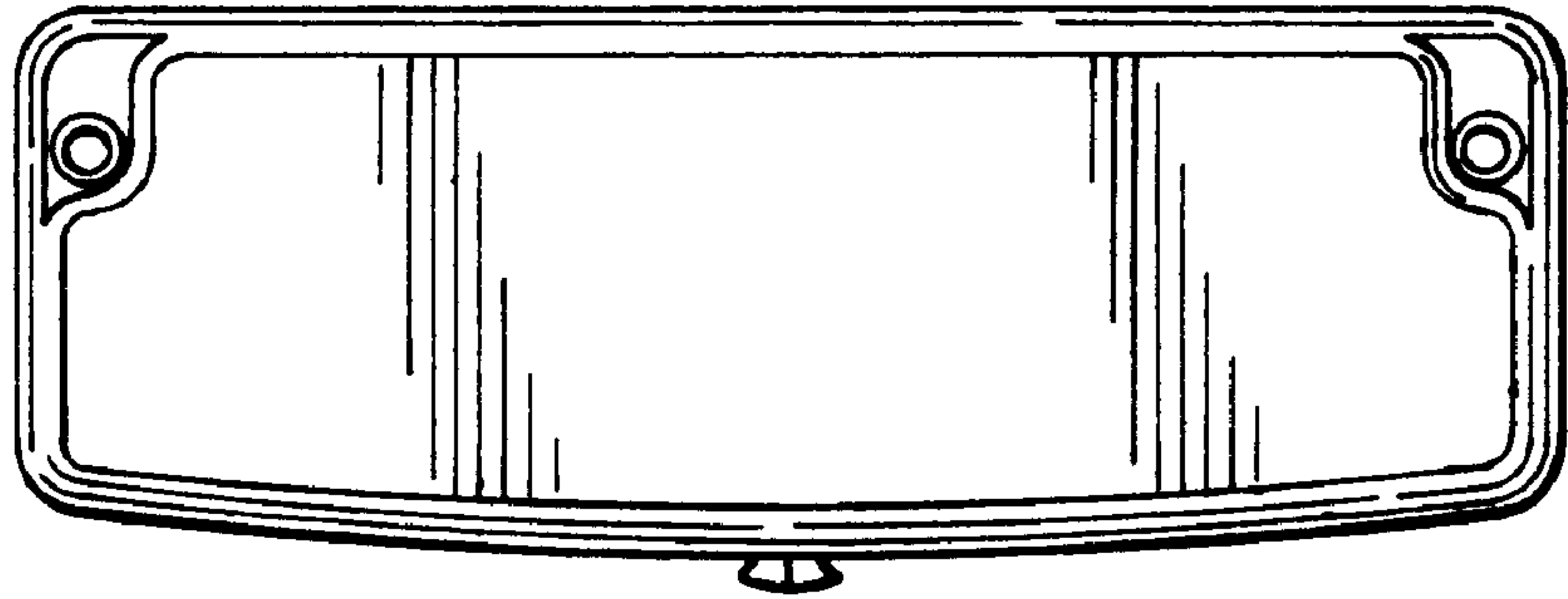


FIG.6

