



US00D414960S

**United States Patent** [19]  
**Zaidman et al.**

[11] **Patent Number: Des. 414,960**  
[45] **Date of Patent: \*\* Oct. 12, 1999**

[54] **ENTERTAINMENT UNIT**

D. 391,782 3/1998 Neufeld ..... D6/436

[75] Inventors: **S. Paul Zaidman; Weldon John Neufeld**, both of Winnipeg, Canada

**OTHER PUBLICATIONS**

Evans,p.273y: item #2, 'Bush Visions' deluxe pedestal entertainment center; top on page, 1994/1995.  
Best,p.L19; item C 'Bush Innovations' pedestal entertainment center, center right on page, 1995/1996.

[73] Assignee: **Palliser Furniture Ltd.**, Canada

[\*\*] Term: **14 Years**

*Primary Examiner*—Carmen H. Vales-Lado  
*Attorney, Agent, or Firm*—Michael Best & Friedrich LLP

[21] Appl. No.: **29/075,442**

[22] Filed: **Aug. 20, 1997**

[57] **CLAIM**

[30] **Foreign Application Priority Data**

Jul. 31, 1919 [CA] Canada ..... 1997-1973

The ornamental design for an entertainment unit, as shown and described.

[51] **LOC (6) Cl.** ..... **06-04**

**DESCRIPTION**

[52] **U.S. Cl.** ..... **D6/436**

FIG. 1 is a front elevational view of the entertainment unit showing our new design;

[58] **Field of Search** ..... D6/396, 432-448;  
312/204, 257

FIG. 2 is a right side perspective view, the left side being a mirror image thereof; and,

[56] **References Cited**

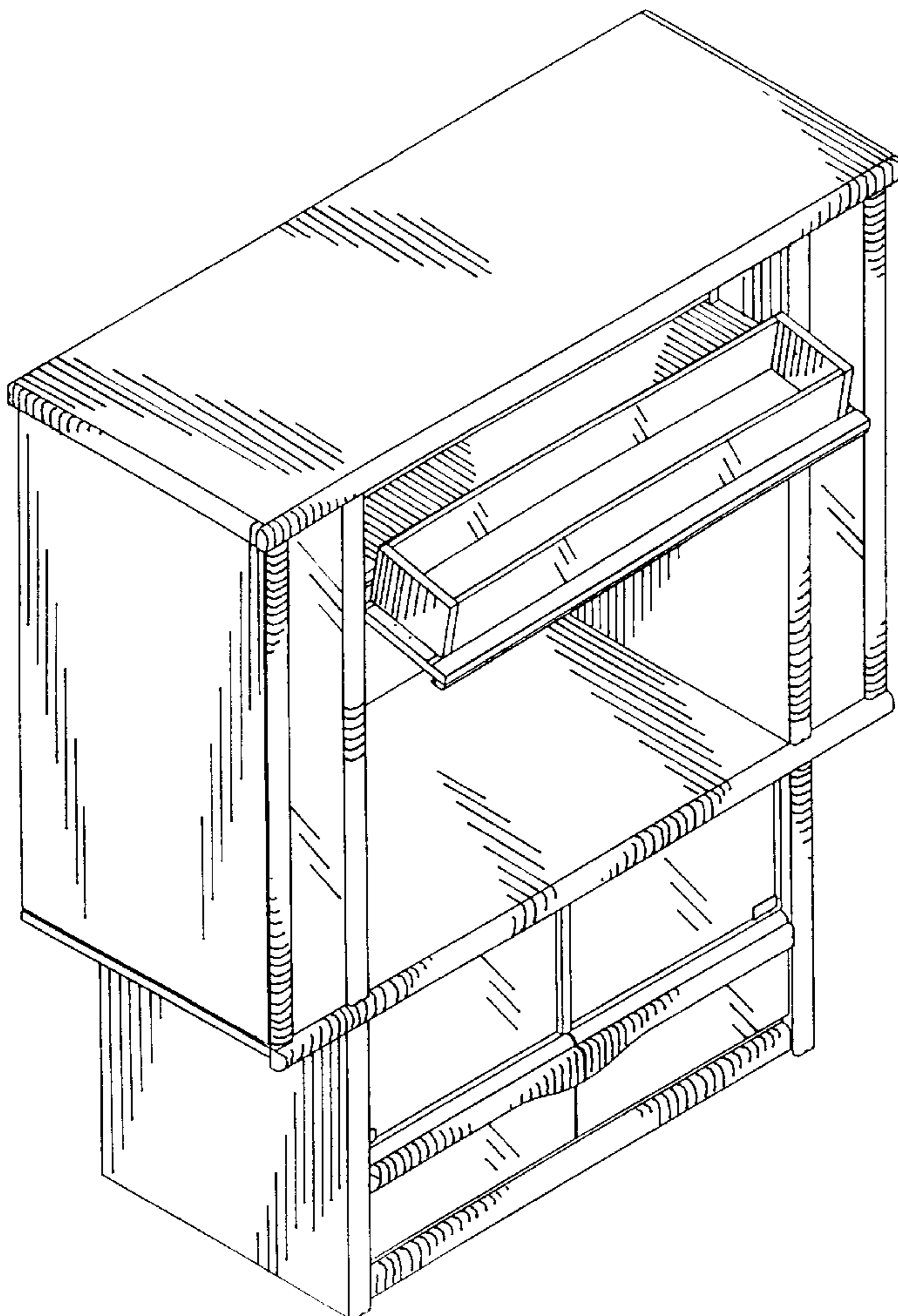
**U.S. PATENT DOCUMENTS**

- D. 299,090 12/1988 Roegner ..... D6/436
- D. 300,888 5/1989 Bush et al. .... D6/437
- D. 314,096 1/1991 Bush et al. .... D6/436
- D. 320,126 9/1991 Miller ..... D6/436

FIG. 3 is a left side perspective view with the top drawer in open position.

The rear of the entertainment unit does not form part of the design.

**1 Claim, 2 Drawing Sheets**



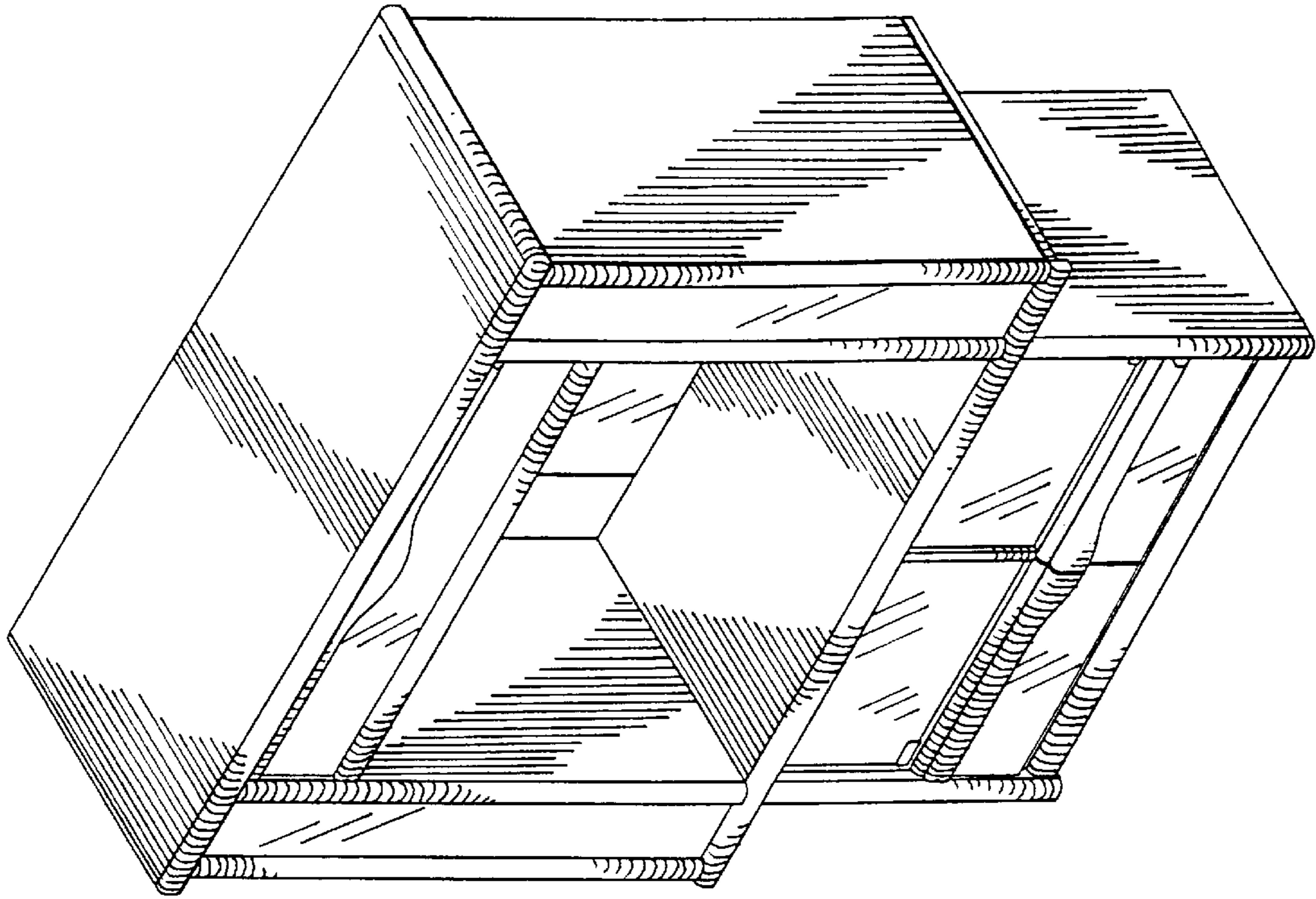


Figure 2

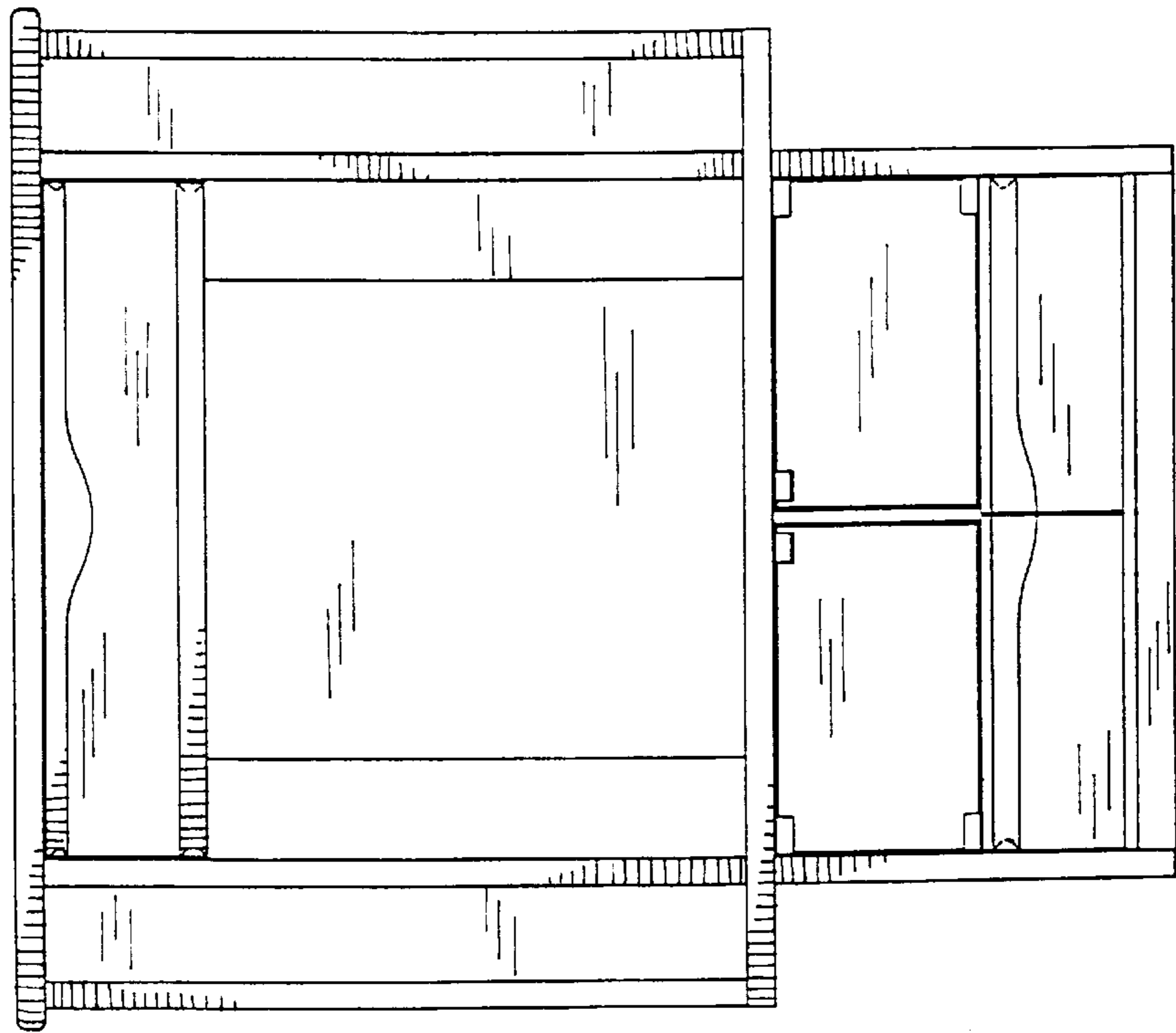


Figure 1

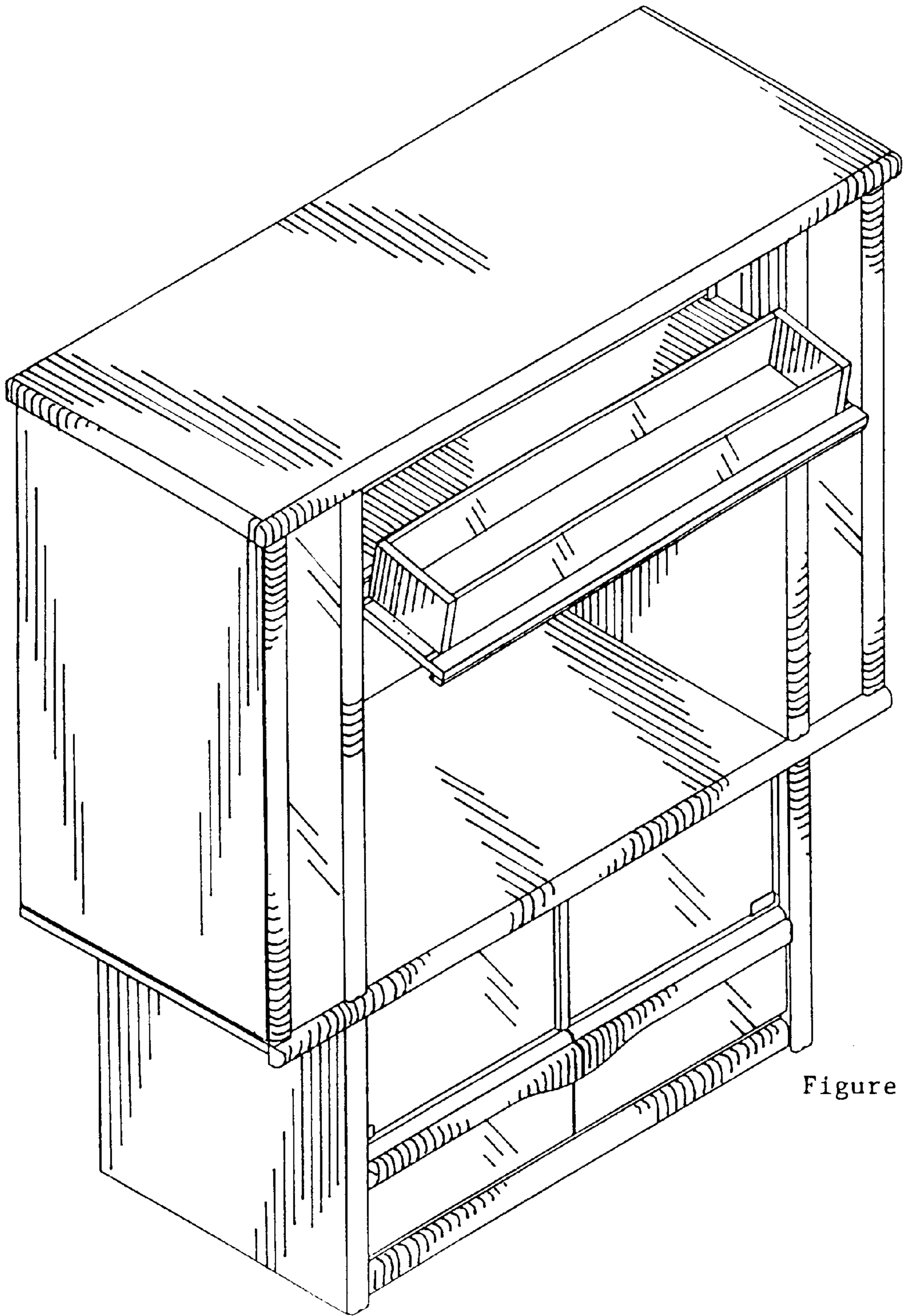


Figure 3