



US00D414953S

United States Patent [19] Goetz

[11] Patent Number: **Des. 414,953**

[45] Date of Patent: **** Oct. 12, 1999**

[54] **CHAIR**

[75] Inventor: **Mark W. Goetz**, Brooklyn, N.Y.

[73] Assignee: **Herman Miller, Inc.**, Zeeland, Mich.

[**] Term: **14 Years**

[21] Appl. No.: **29/084,451**

[22] Filed: **Mar. 3, 1998**

[51] **LOC (6) Cl.** **06-01**

[52] **U.S. Cl.** **D6/379; D6/380**

[58] **Field of Search** D6/334, 374, 379,
D6/380, 500, 501, 502; 297/445.1, 446.1

[56] **References Cited**

U.S. PATENT DOCUMENTS

D. 214,437	6/1969	Muller et al.	D6/374
D. 249,206	9/1978	Gill	D6/374
D. 255,625	7/1980	Lübke .	
D. 270,976	10/1983	Rowland .	
D. 278,393	4/1985	Platner	D6/374
D. 289,348	4/1987	Snodgrass .	
D. 308,143	5/1990	Lohmeyer .	
D. 308,305	6/1990	Snodgrass	D6/379
D. 309,223	7/1990	Lübke .	

D. 312,005	11/1990	Snodgrass	D6/379
D. 334,298	3/1993	Panteloucos .	
D. 335,971	6/1993	Hess .	
D. 346,707	5/1994	Soto Martinez .	
D. 351,292	10/1994	Miller	D6/379
D. 355,081	2/1995	Scheper .	
D. 355,308	2/1995	Marini .	
D. 359,177	6/1995	Bartlmae .	
D. 374,561	10/1996	Meijer	D6/379
D. 376,485	12/1996	Cretcher .	
D. 385,425	10/1997	Goetz	D6/379

Primary Examiner—Gary D. Watson
Attorney, Agent, or Firm—Brinks Hofer Gilson & Lione

[57] **CLAIM**

The ornamental design for a chair, as shown and described.

DESCRIPTION

FIG. 1 is a perspective view of a chair;
FIG. 2 is a right side view of the chair, with the left side view being a mirror image thereof;
FIG. 3 is a front view of the chair;
FIG. 4 is a rear view of the chair;
FIG. 5 is a top view of the chair; and,
FIG. 6 is a bottom view of the chair.

1 Claim, 3 Drawing Sheets

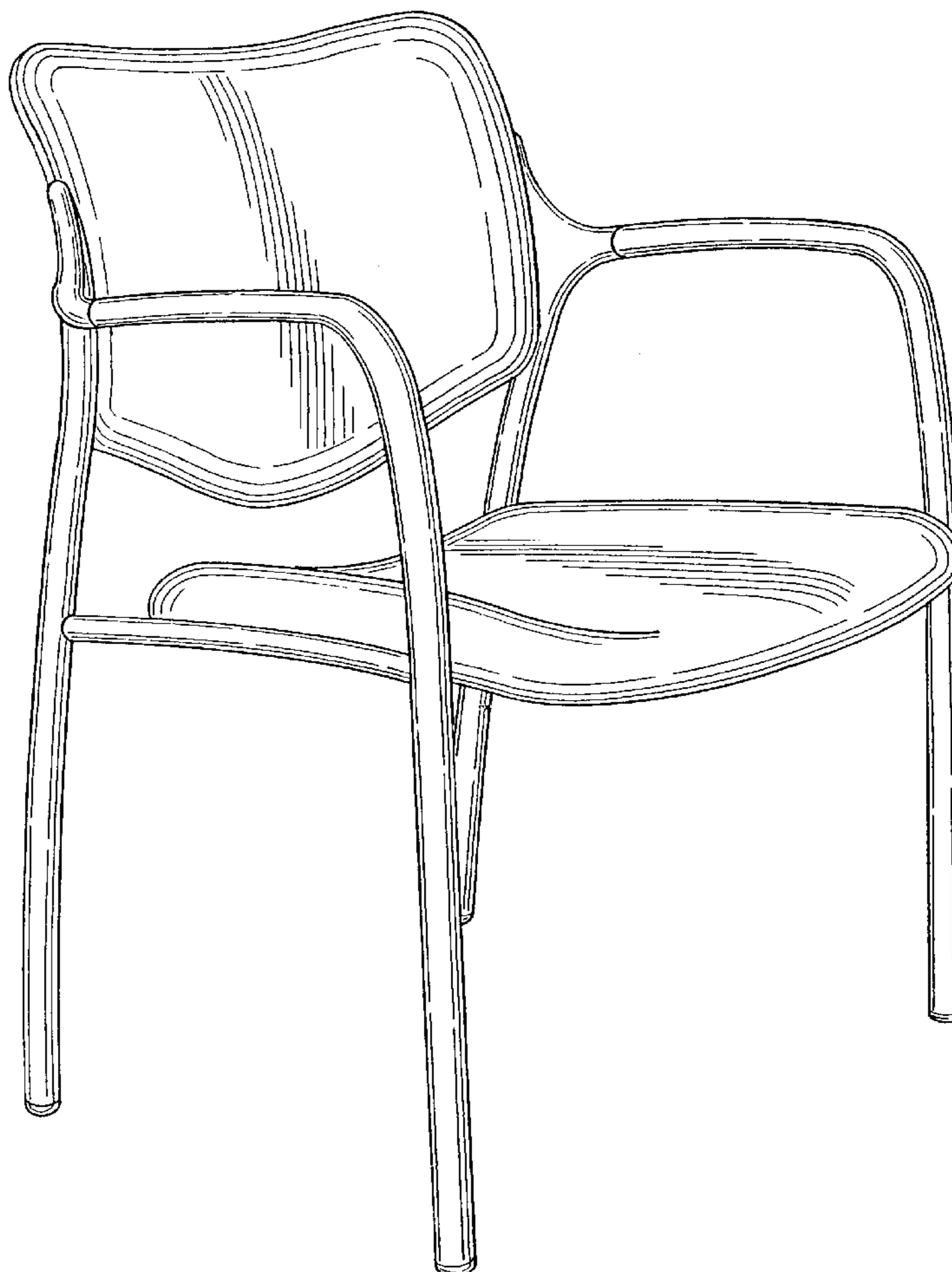


FIG.2

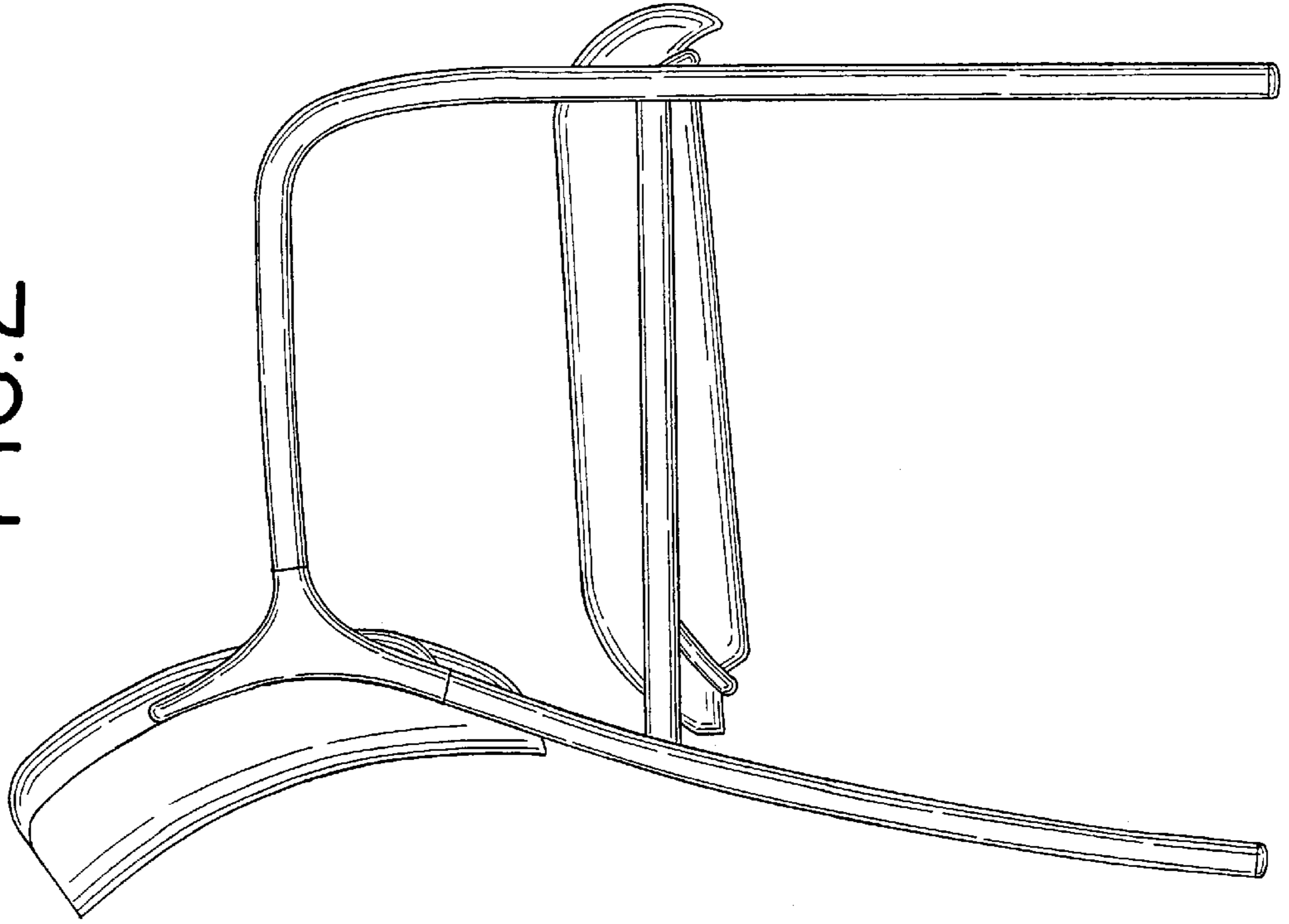


FIG.1

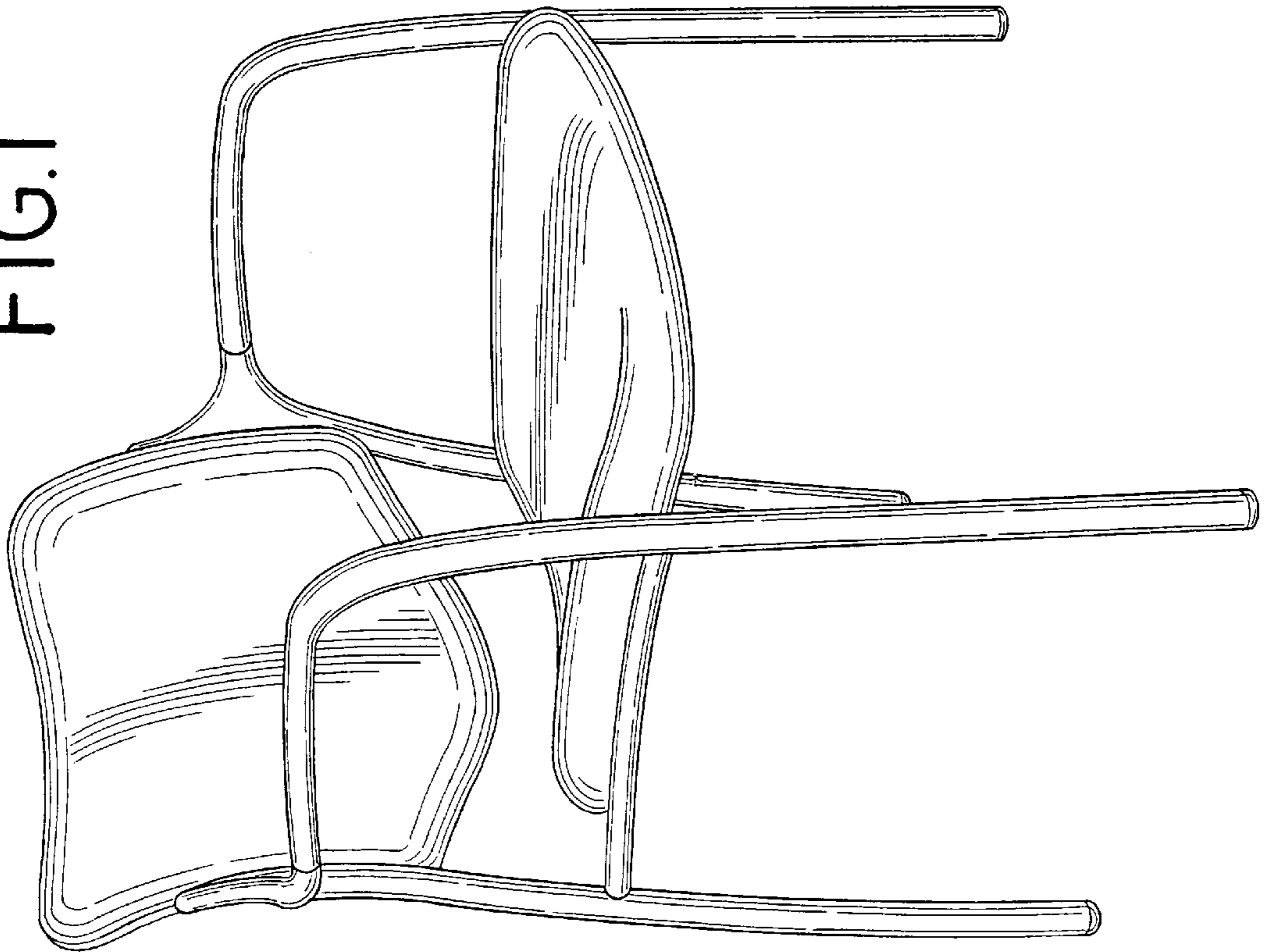


FIG.4

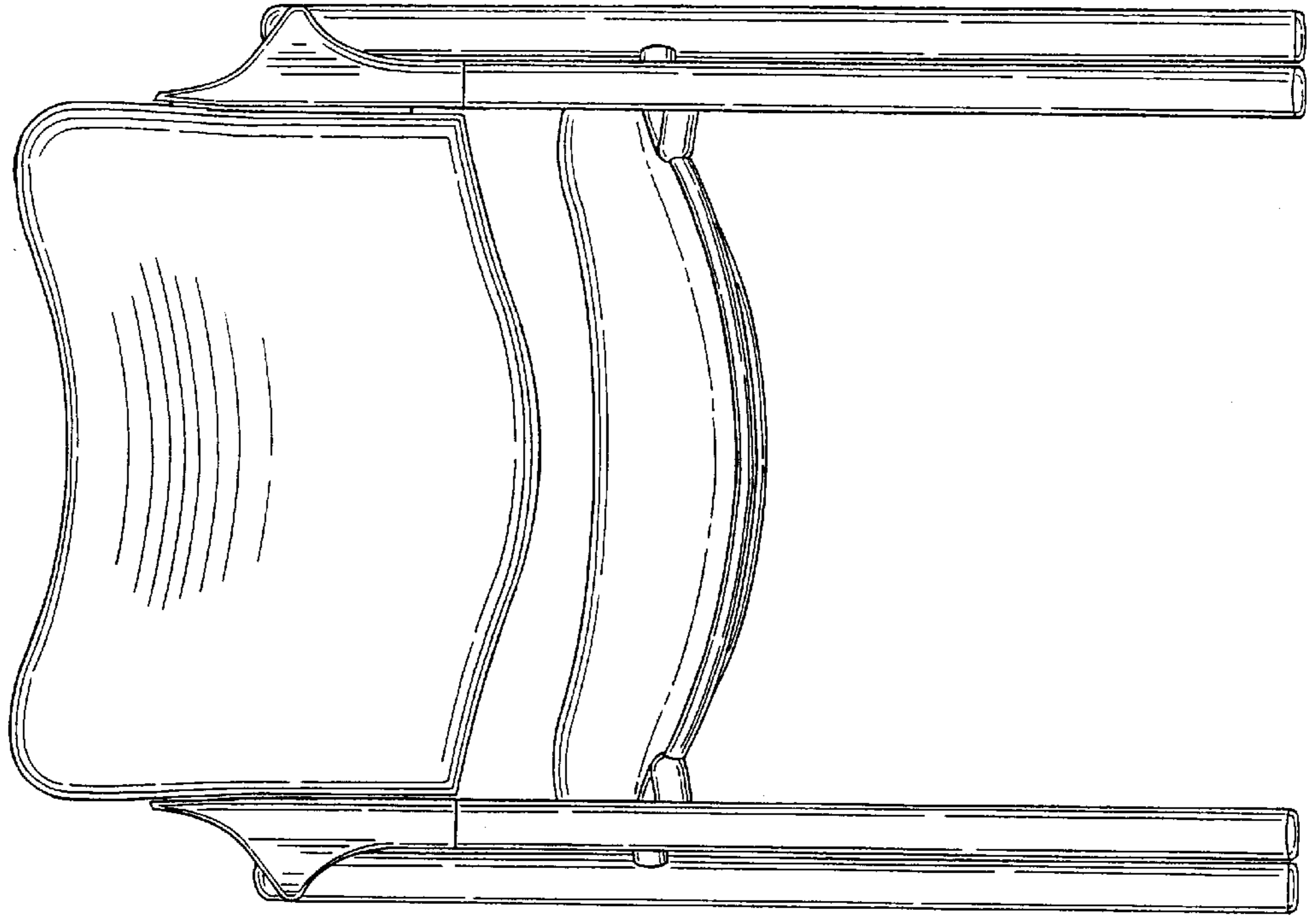


FIG.3

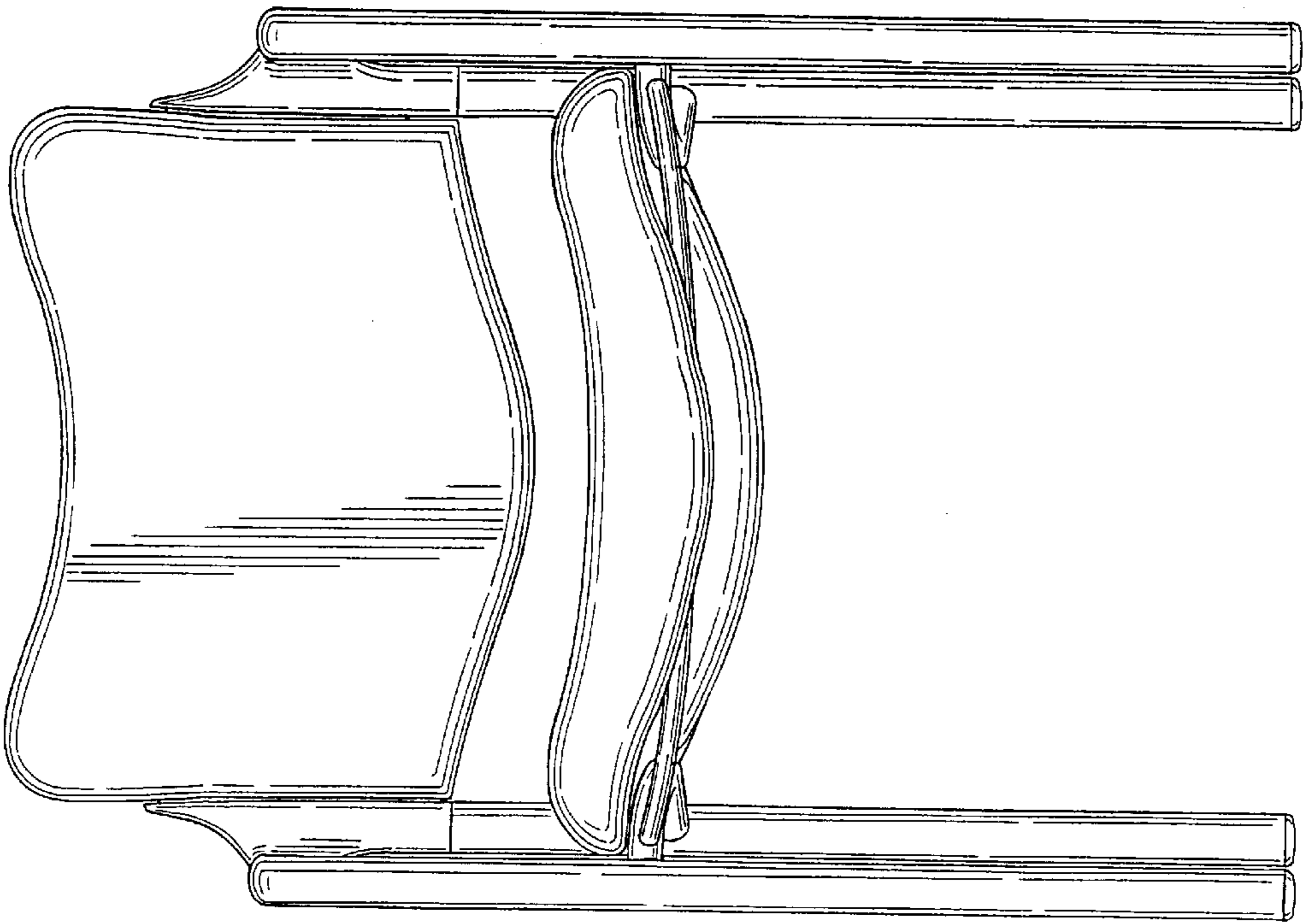


FIG.5

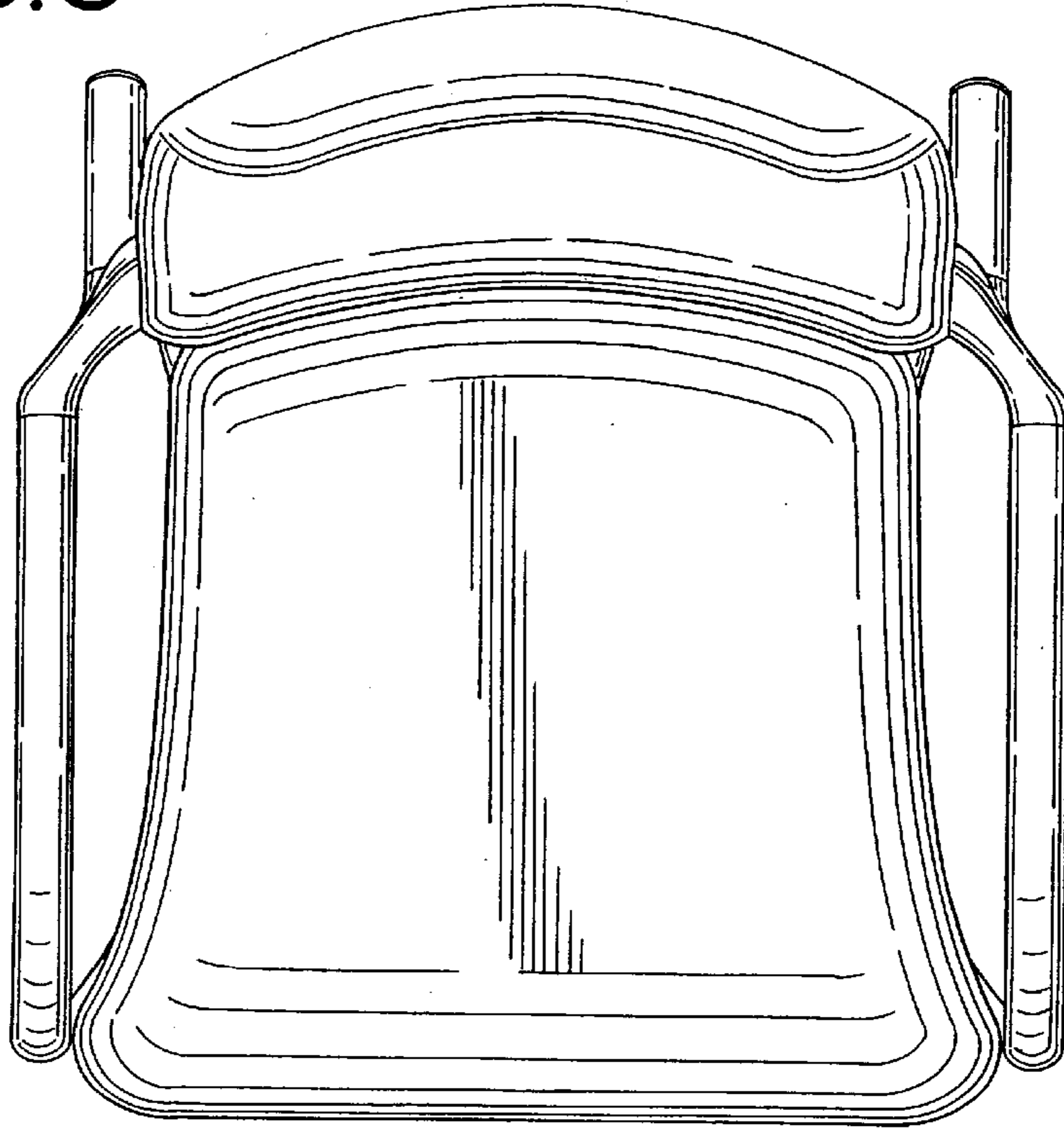


FIG.6

