



US00D414951S

**United States Patent** [19]  
**Breen**

[11] **Patent Number: Des. 414,951**

[45] **Date of Patent: \*\* Oct. 12, 1999**

[54] **CHAIR**

[75] Inventor: **William R. Breen**, Toronto, Canada  
[73] Assignee: **Nightingale Inc.**, Mississauga, Canada  
[\*\*] Term: **14 Years**

[21] Appl. No.: **29/098,325**  
[22] Filed: **Dec. 24, 1998**

[51] **LOC (6) Cl.** ..... **06-01**  
[52] **U.S. Cl.** ..... **D6/366**  
[58] **Field of Search** ..... D6/334, 364, 365,  
D6/366, 367, 500, 501, 502; 297/411.2

[56] **References Cited**

**U.S. PATENT DOCUMENTS**

D. 340,589	10/1993	Chu	.....	D6/366
D. 345,060	3/1994	Duncan	.....	D6/366
D. 358,064	5/1995	Larkin	.....	D6/366
D. 362,973	10/1995	Schultz	.....	D6/366
D. 368,380	4/1996	Olson et al.	.....	D6/366
D. 369,259	4/1996	Breen	.....	D6/500
D. 372,595	8/1996	Schultz et al.	.....	D6/366
D. 390,712	2/1998	Koepke et al.	.....	D6/366
D. 395,761	7/1998	Saul	.....	D6/366
D. 397,557	9/1998	Feldberg	.....	D6/366
D. 398,464	9/1998	Cronk	.....	D6/500
D. 399,664	10/1998	Goodworth et al.	.....	D6/366
D. 401,771	12/1998	Goodworth et al.	.....	D6/366

**FOREIGN PATENT DOCUMENTS**

72848 7/1993 Canada .

*Primary Examiner*—Gary D. Watson  
*Attorney, Agent, or Firm*—Barrigar & Moss

[57] **CLAIM**

The ornamental design for a chair, as shown and described.

**DESCRIPTION**

FIG. 1 is a perspective view of one embodiment of a chair taken from above and from the left side showing my new design;

FIG. 2 is a right side elevational view of the embodiment shown in FIG. 1;

FIG. 3 is a front elevational view of the embodiment shown in FIG. 1;

FIG. 4 is a rear elevational view of the embodiment shown in FIG. 1;

FIG. 5 is a top view of the embodiment shown in FIG. 1;

FIG. 6 is a left side elevational view of the embodiment shown in FIG. 1;

FIG. 7 is a perspective view similar to FIG. 1, but showing a second embodiment of my new design;

FIG. 8 is a right side elevational view of the embodiment shown in FIG. 7;

FIG. 9 is a front elevational view of the embodiment shown in FIG. 7;

FIG. 10 is a rear elevational view of the embodiment shown in FIG. 7;

FIG. 11 is a top view of the embodiment shown in FIG. 7;

FIG. 12 is a left side elevational view of the embodiment shown in FIG. 7;

FIG. 13 is a perspective view similar to FIG. 1, but showing a third embodiment of my new design;

FIG. 14 is a right side elevational view of the embodiment shown in FIG. 13;

FIG. 15 is a front elevational view of the embodiment shown in FIG. 13;

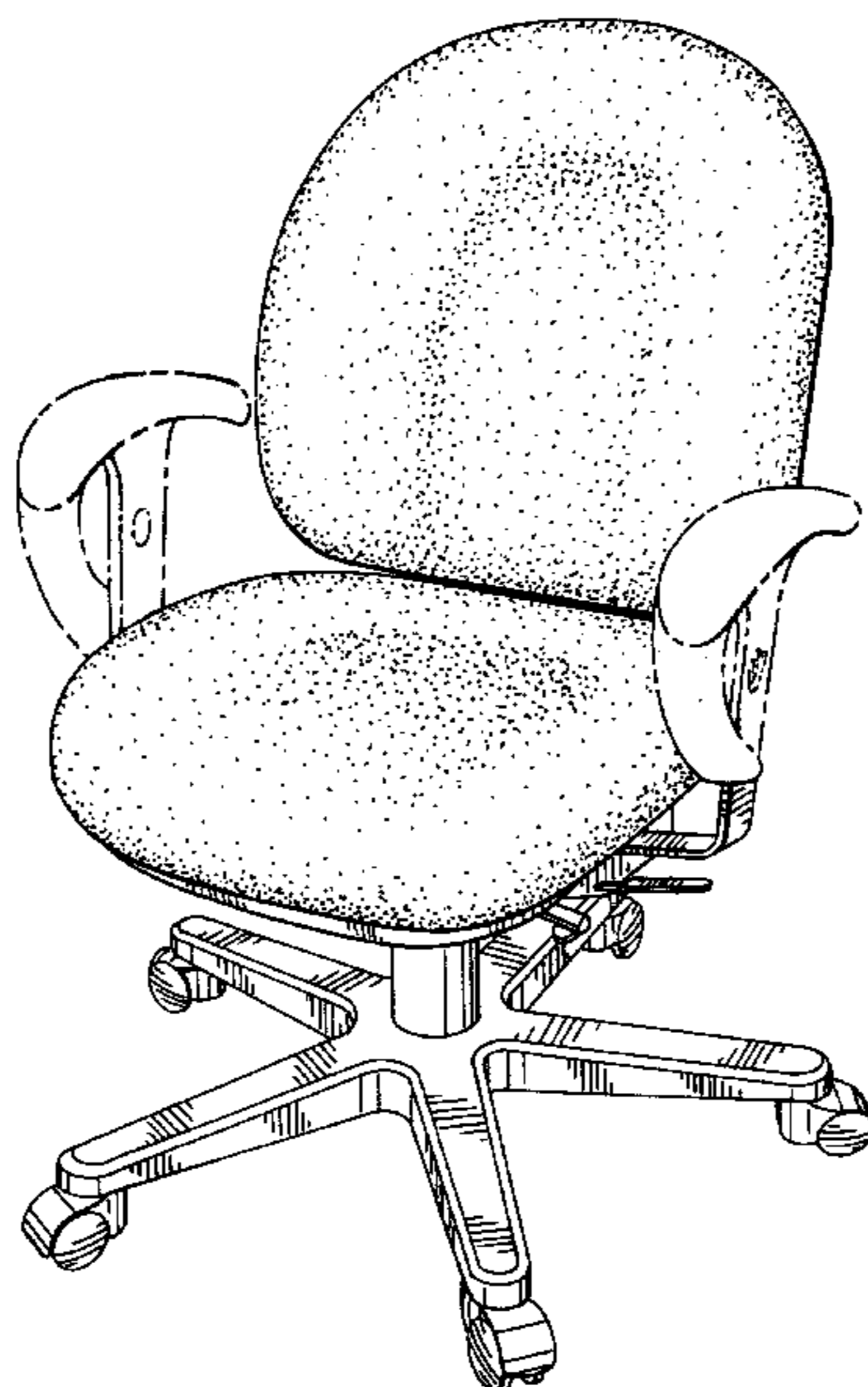
FIG. 16 is a rear elevational view of the embodiment shown in FIG. 13;

FIG. 17 is a top view of the embodiment shown in FIG. 13; and,

FIG. 18 is a left side elevational view of the embodiment shown in FIG. 13.

The broken lines shown in FIGS. 1 through 6 are for illustrative purposes only and form no part of the claimed design.

**1 Claim, 9 Drawing Sheets**



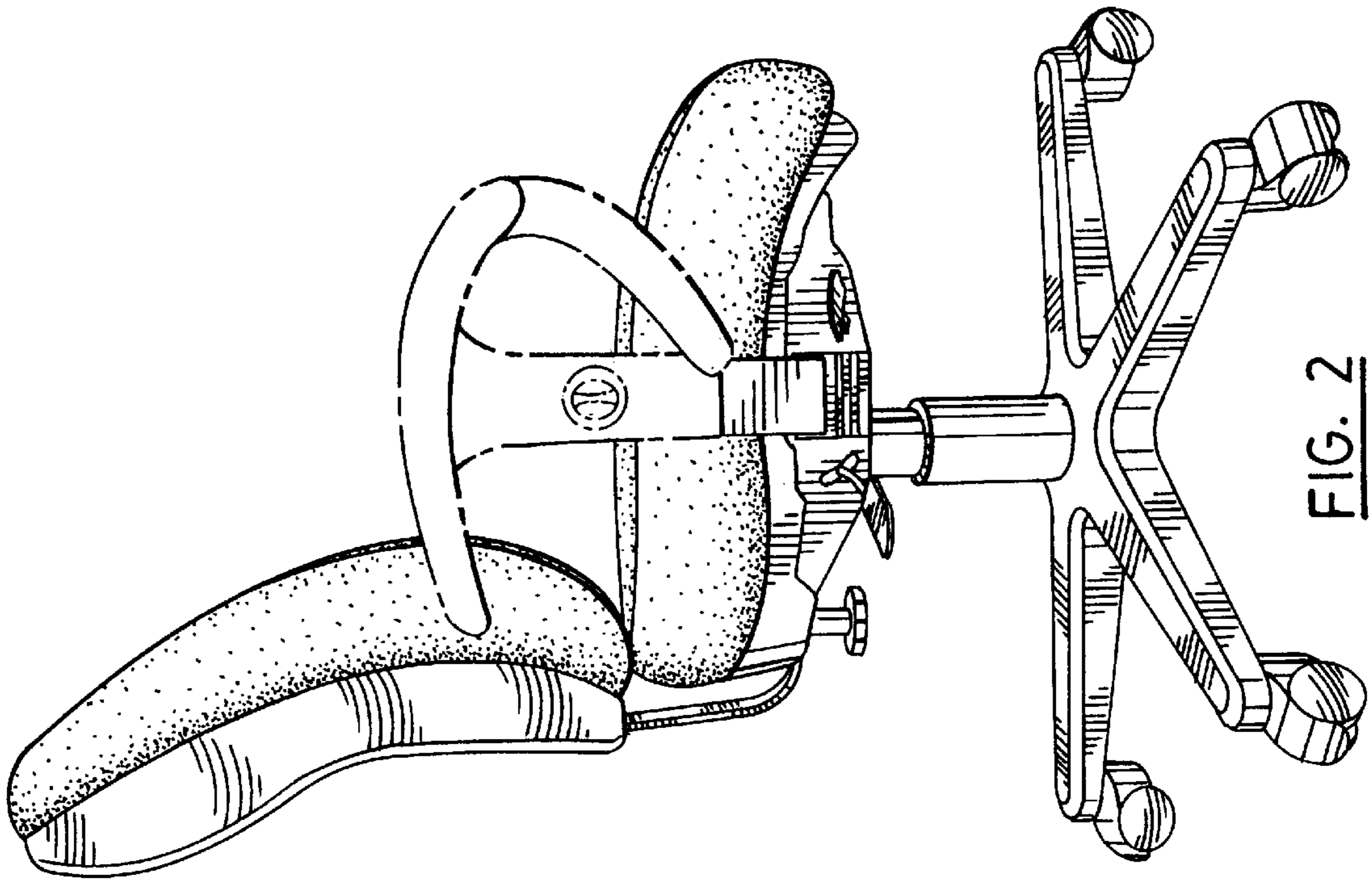


FIG. 2

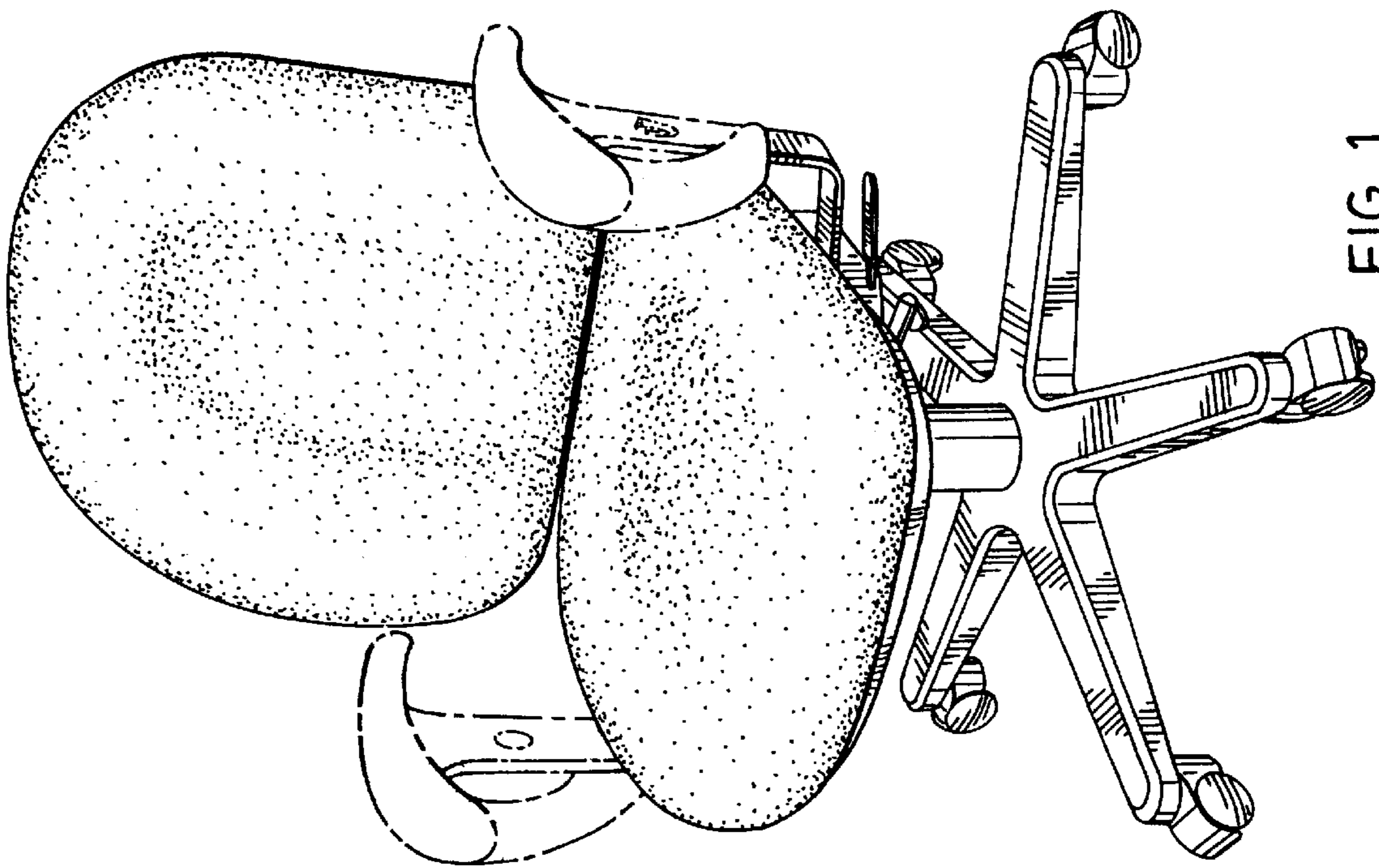


FIG. 1

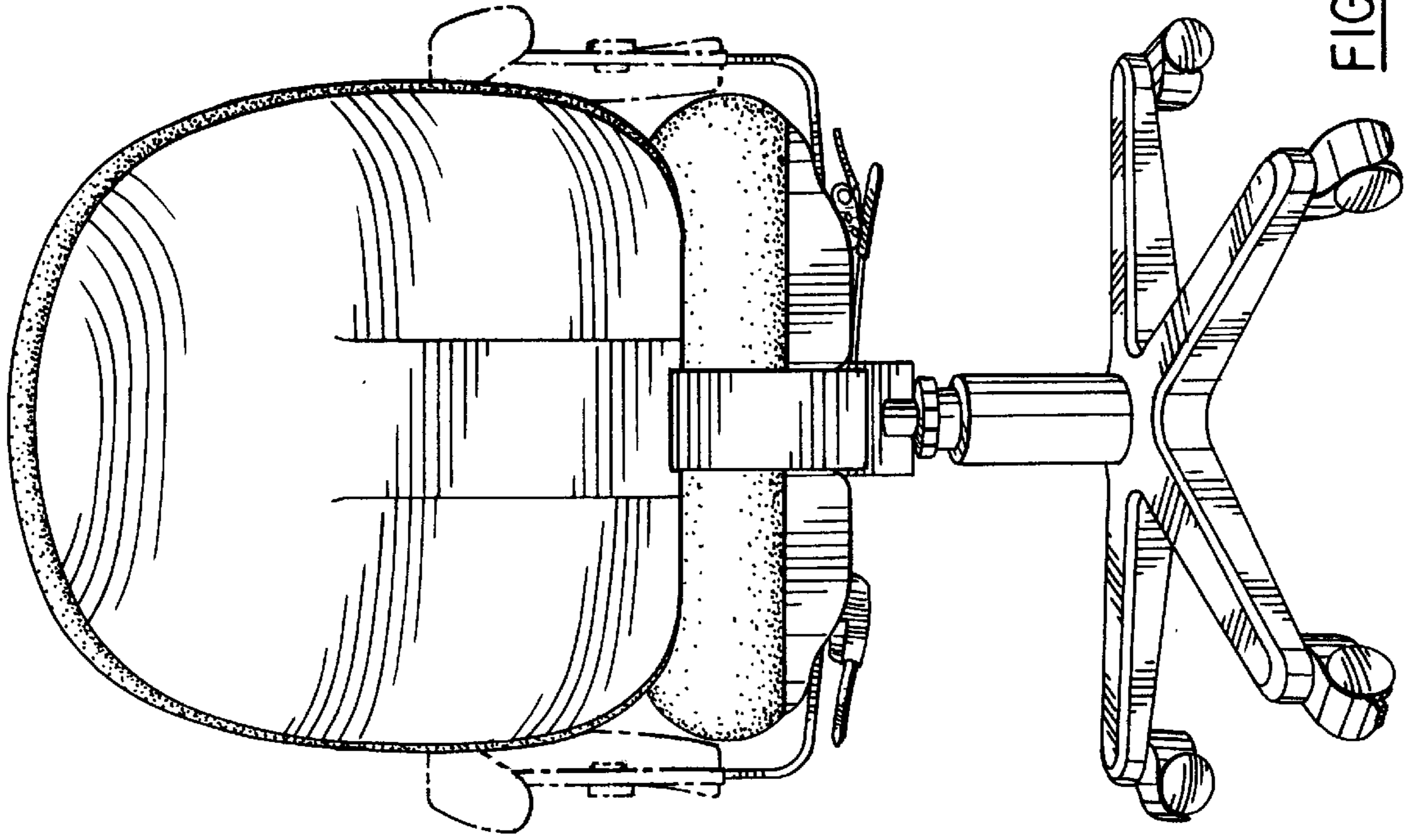


FIG. 4

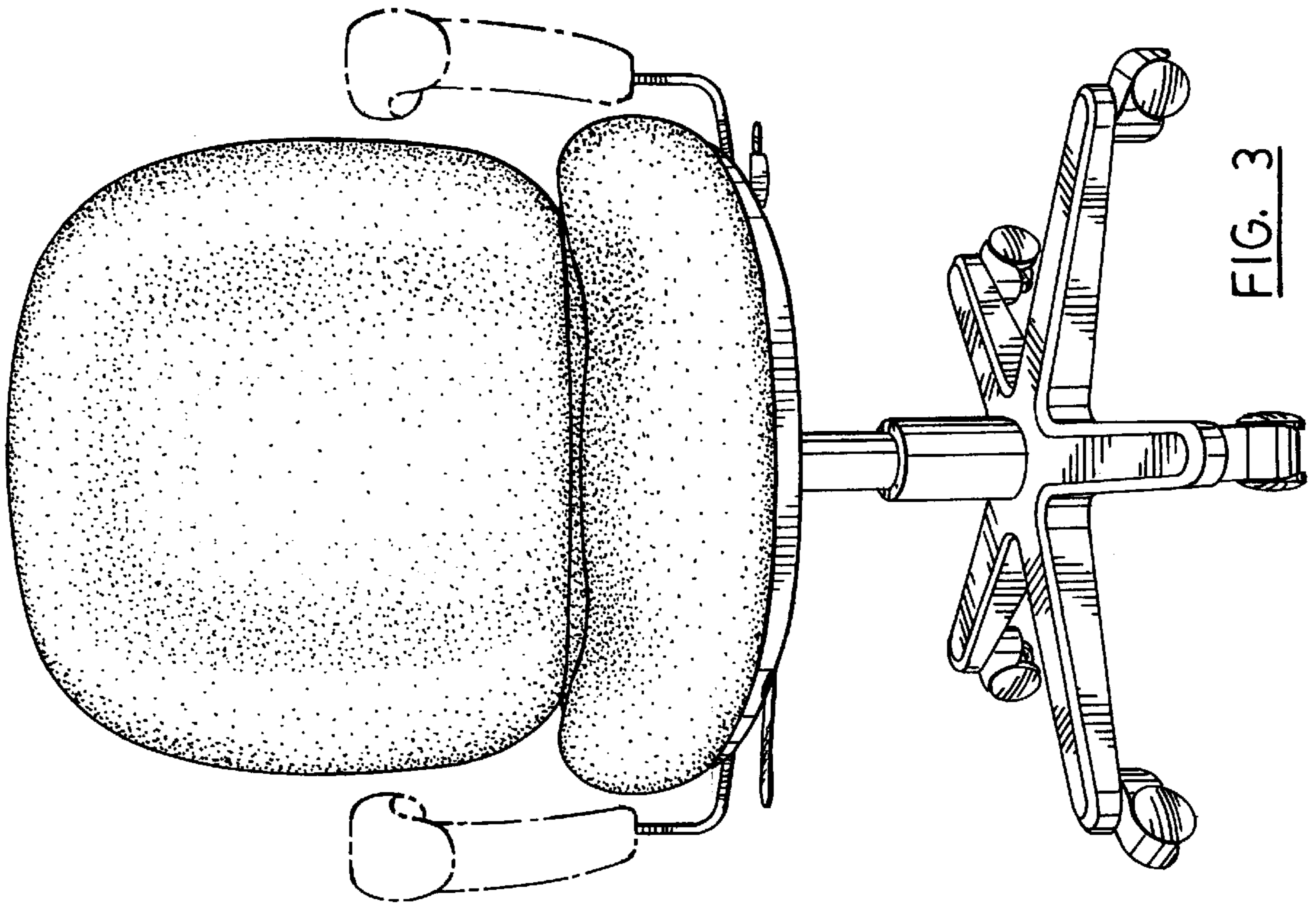


FIG. 3

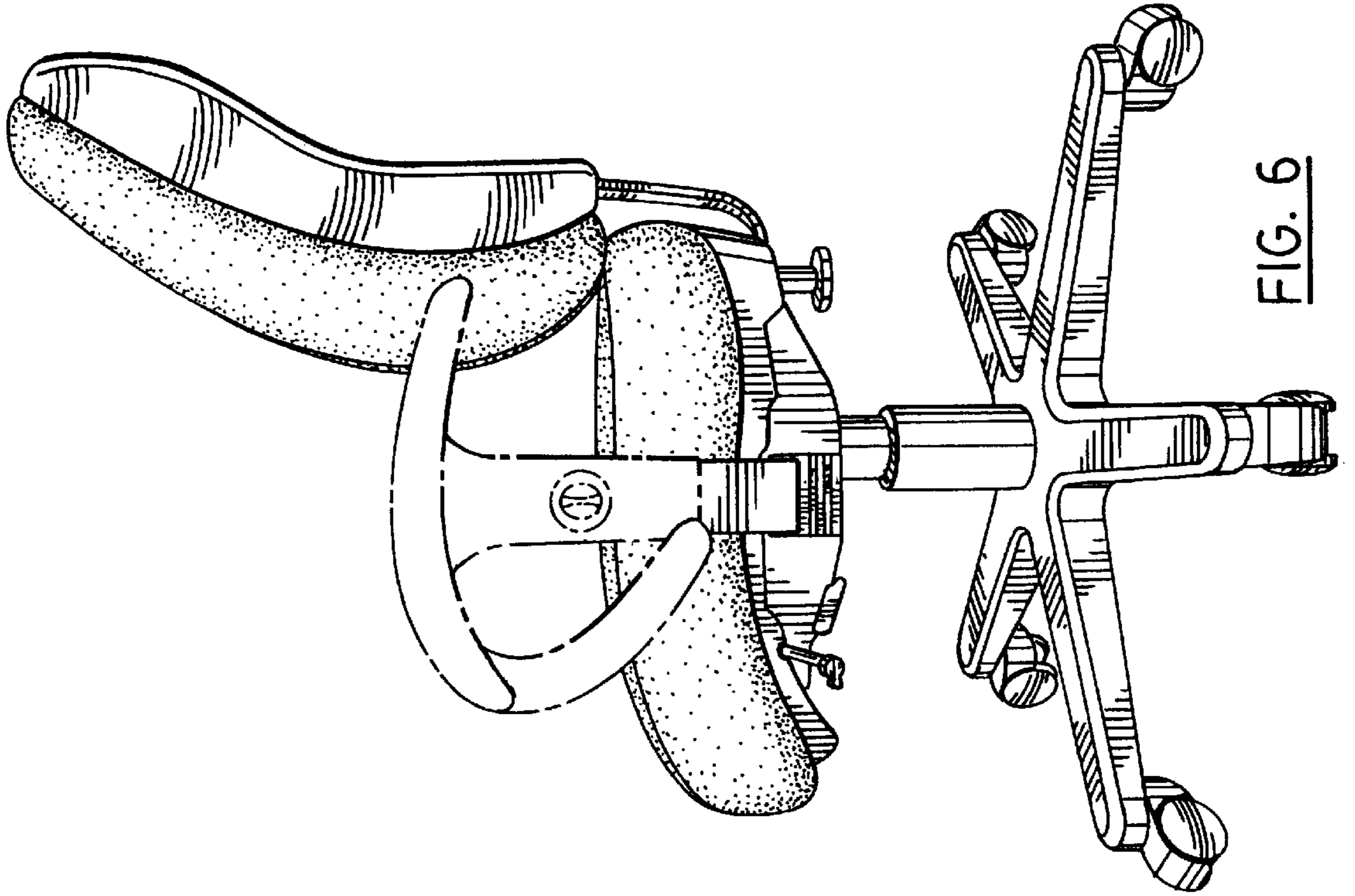


FIG. 6

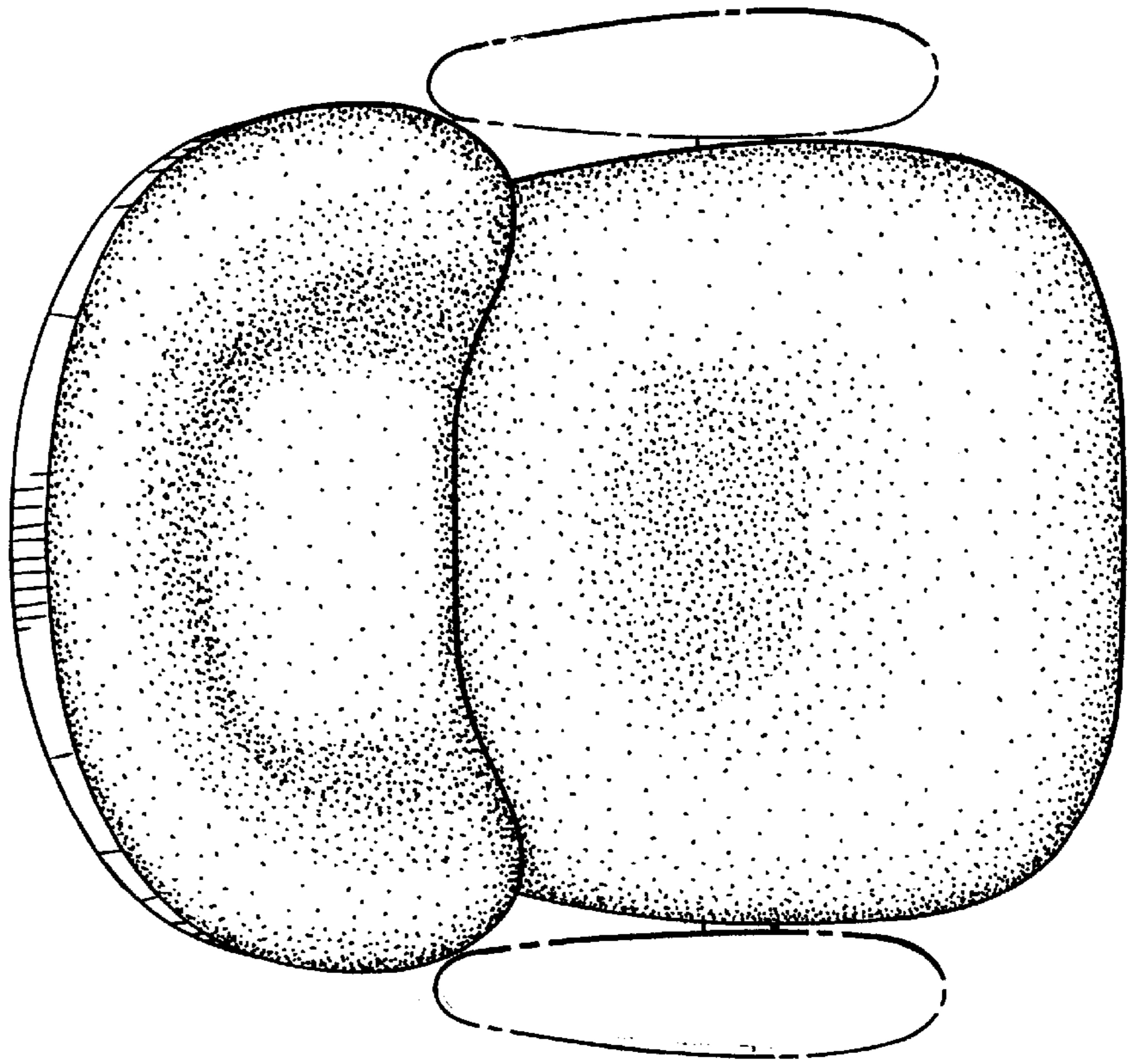


FIG. 5

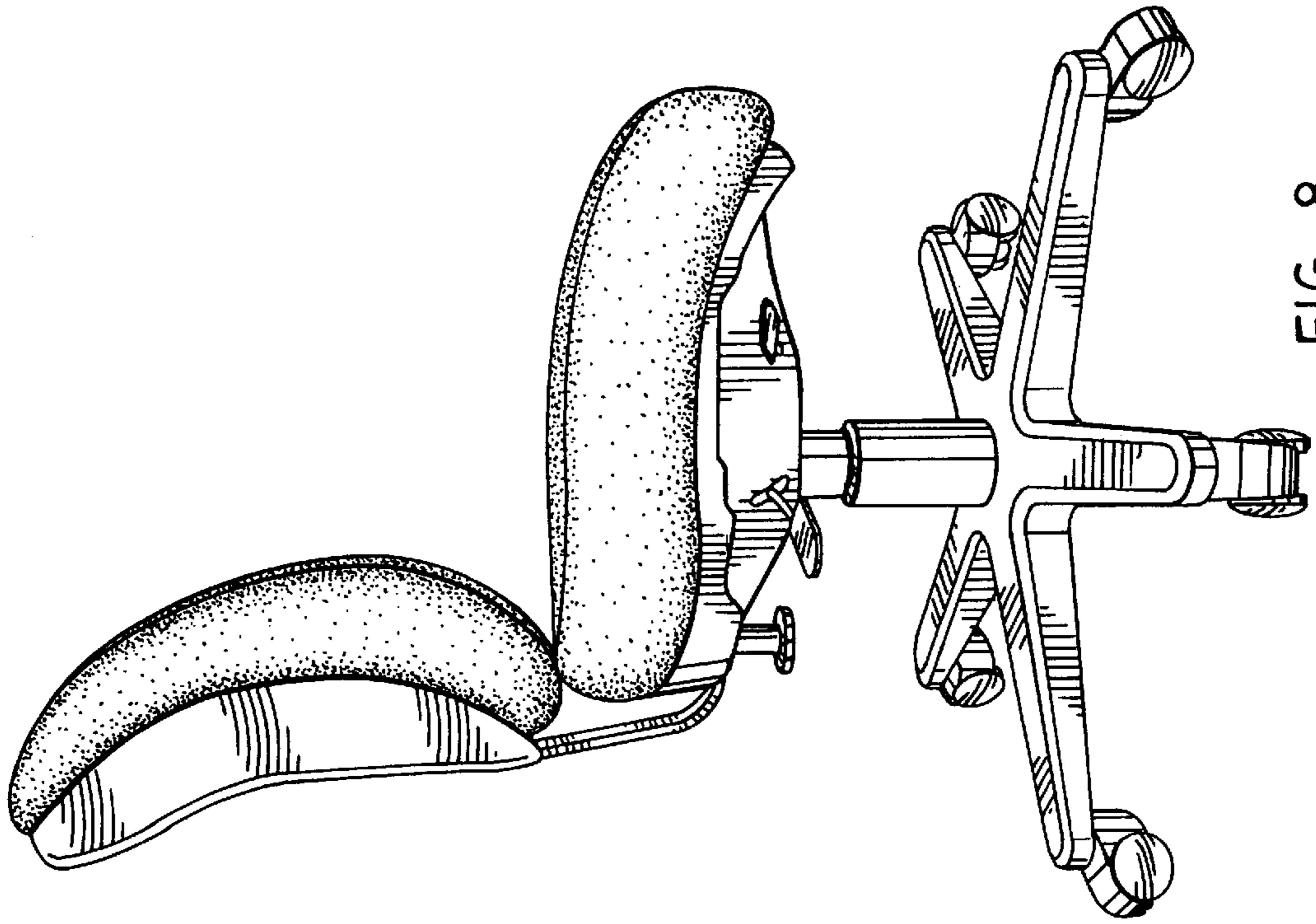


FIG. 8

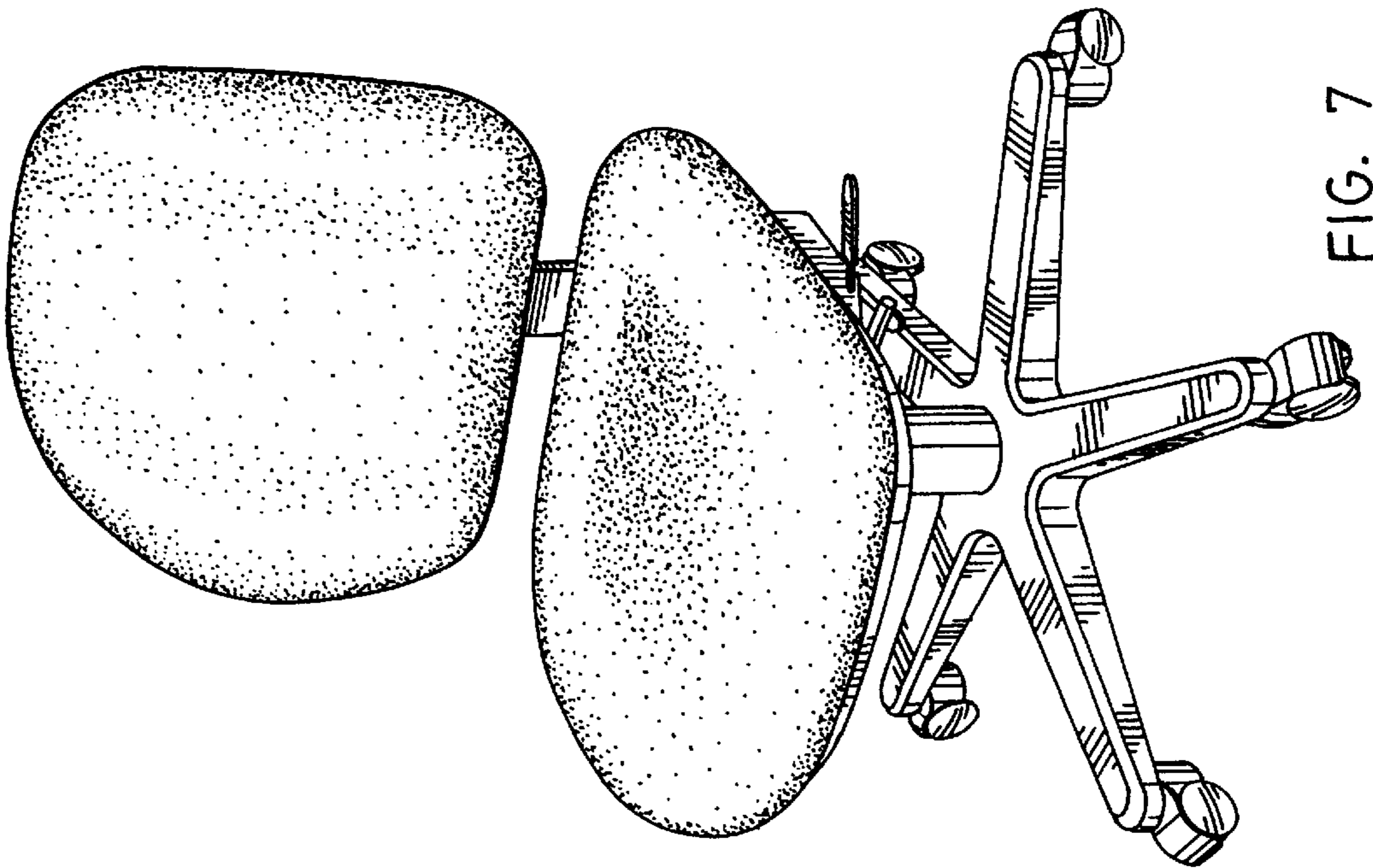


FIG. 7

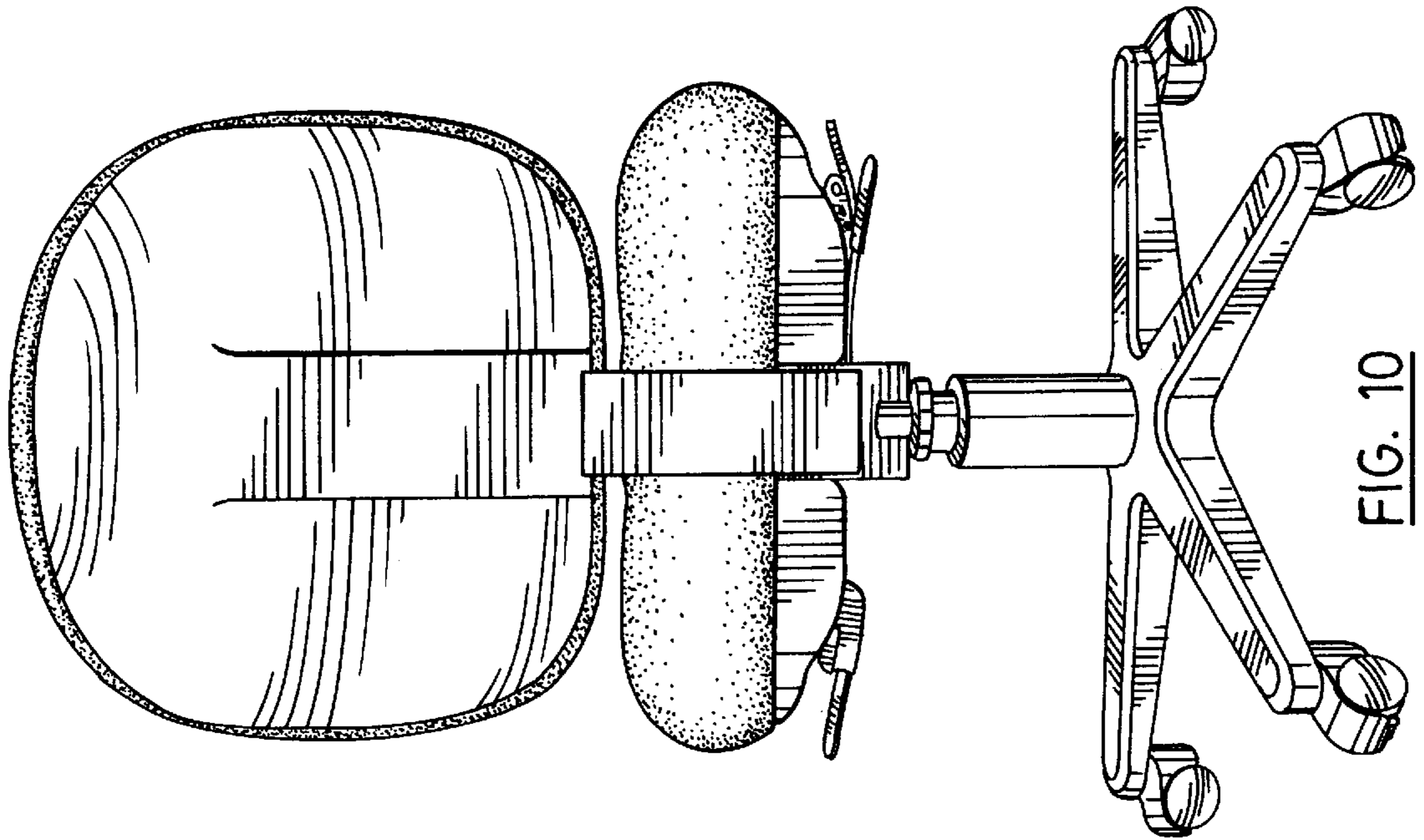


FIG. 10

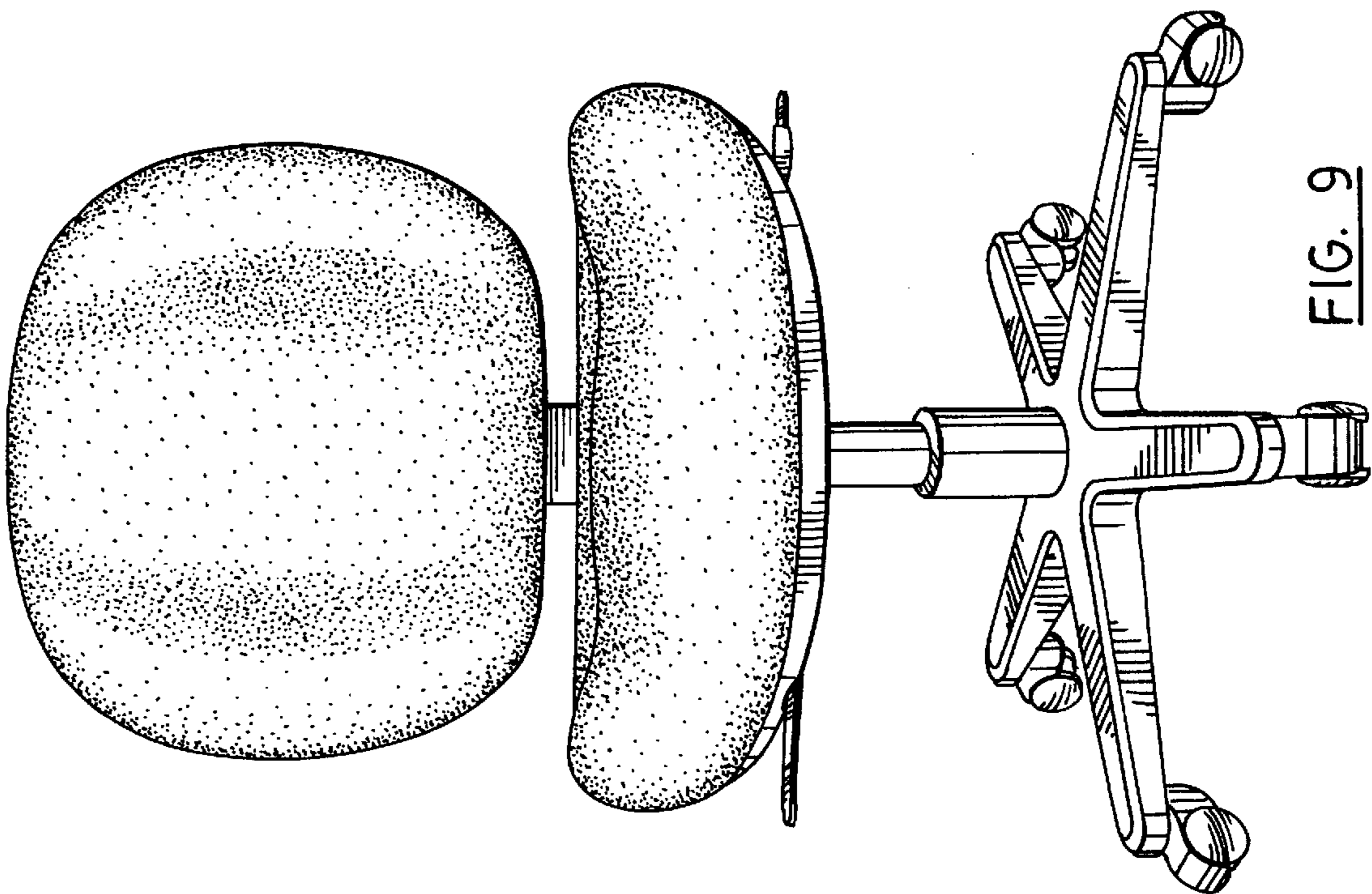


FIG. 9

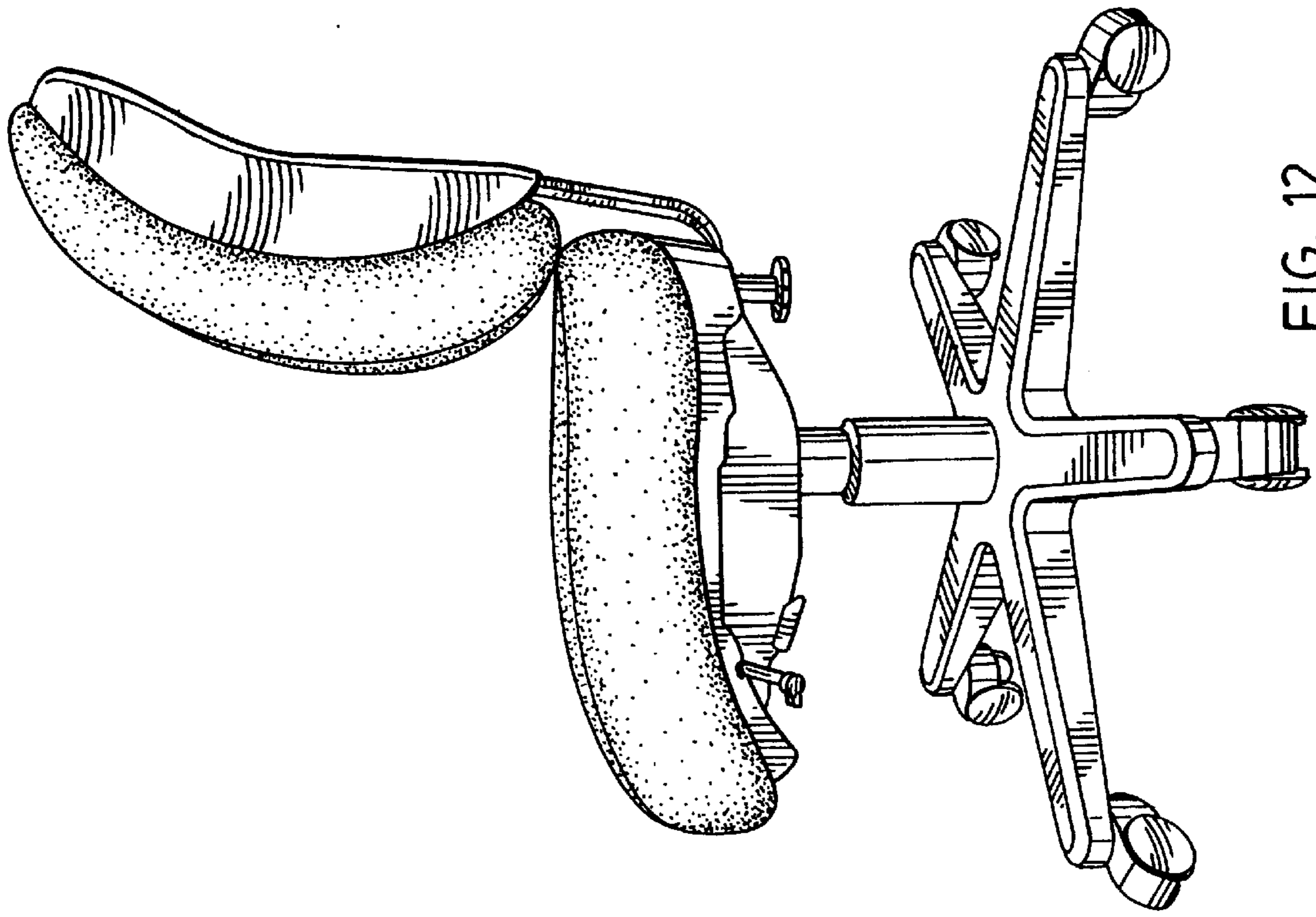


FIG. 12

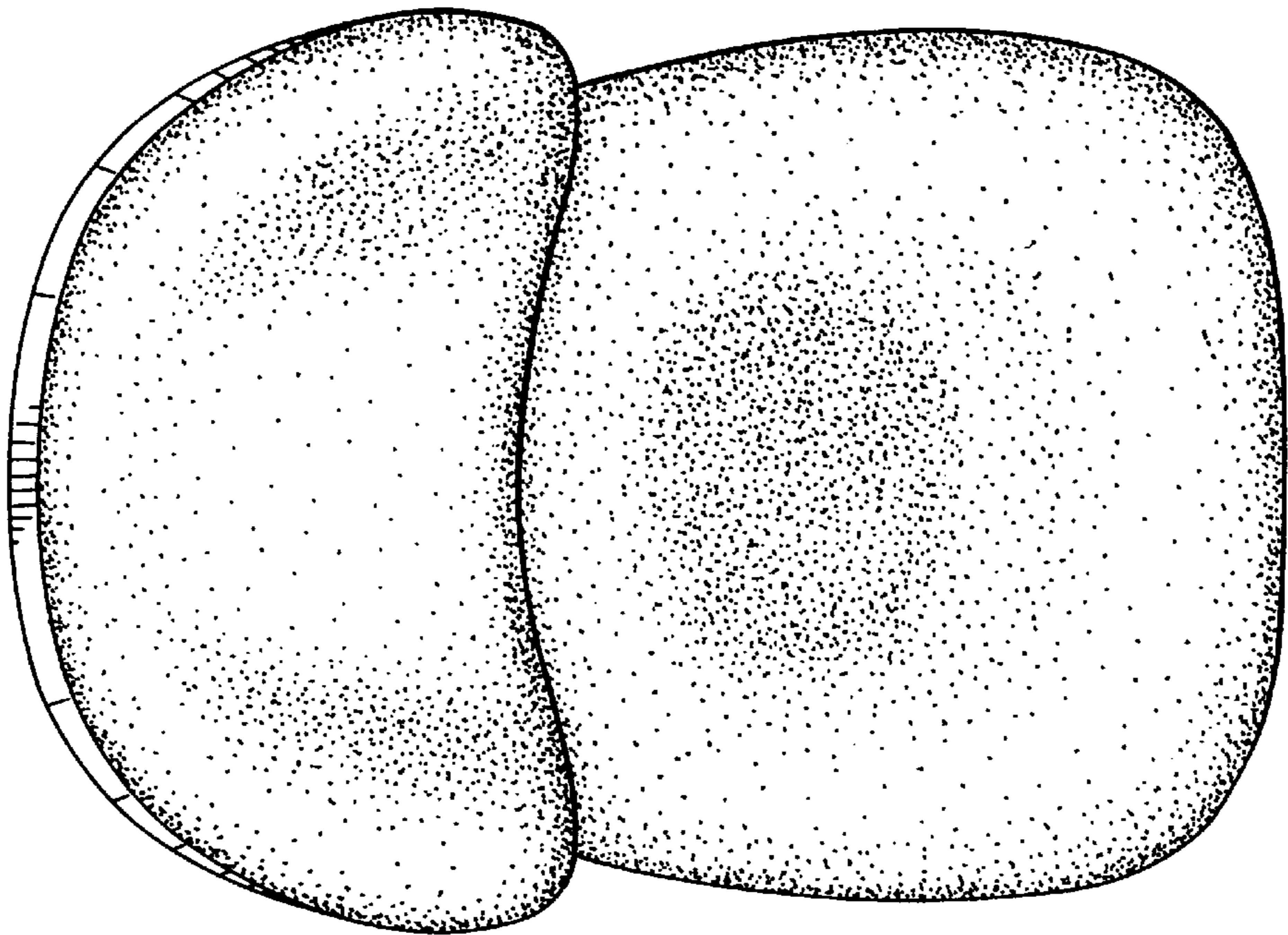


FIG. 11

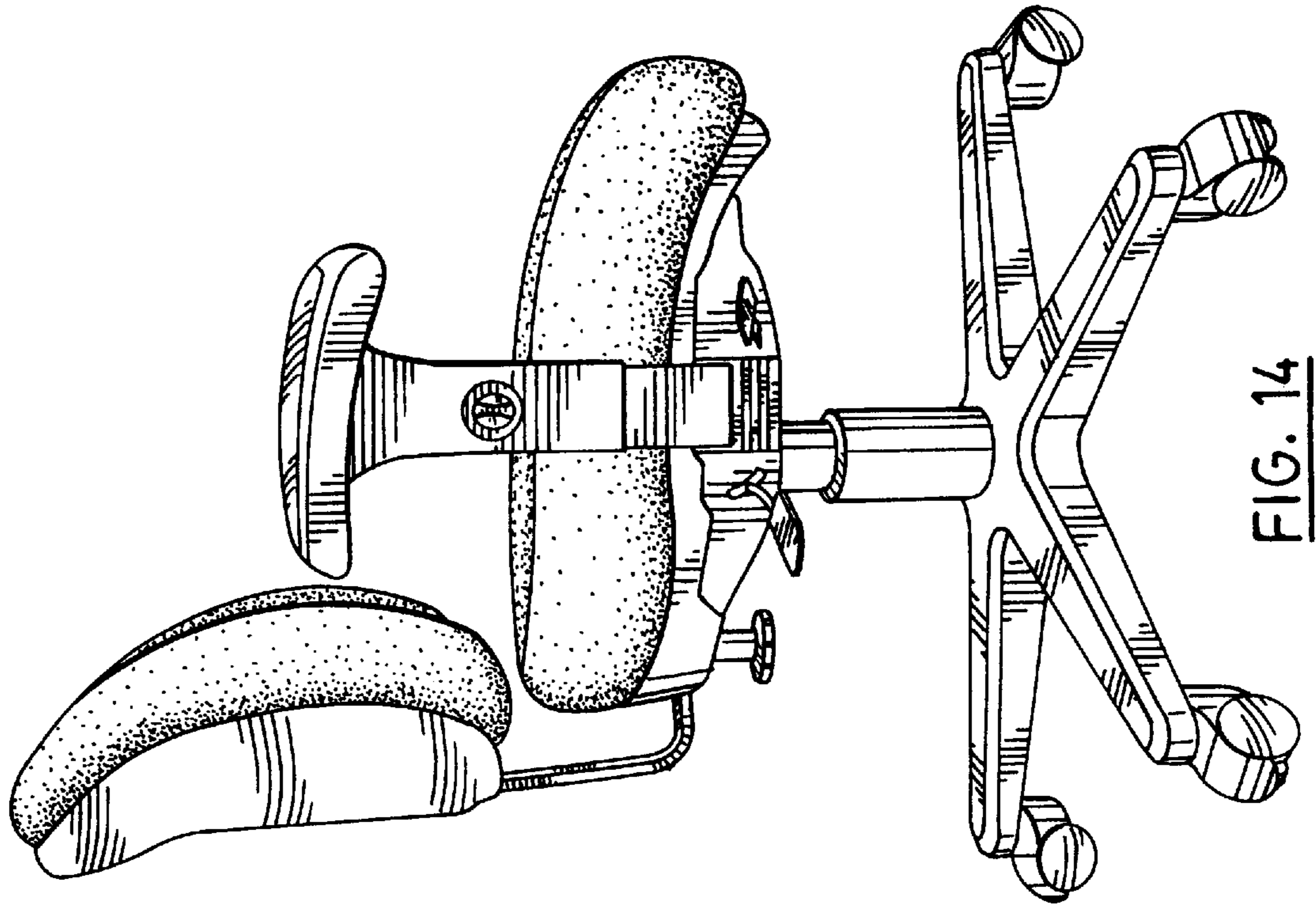


FIG. 14

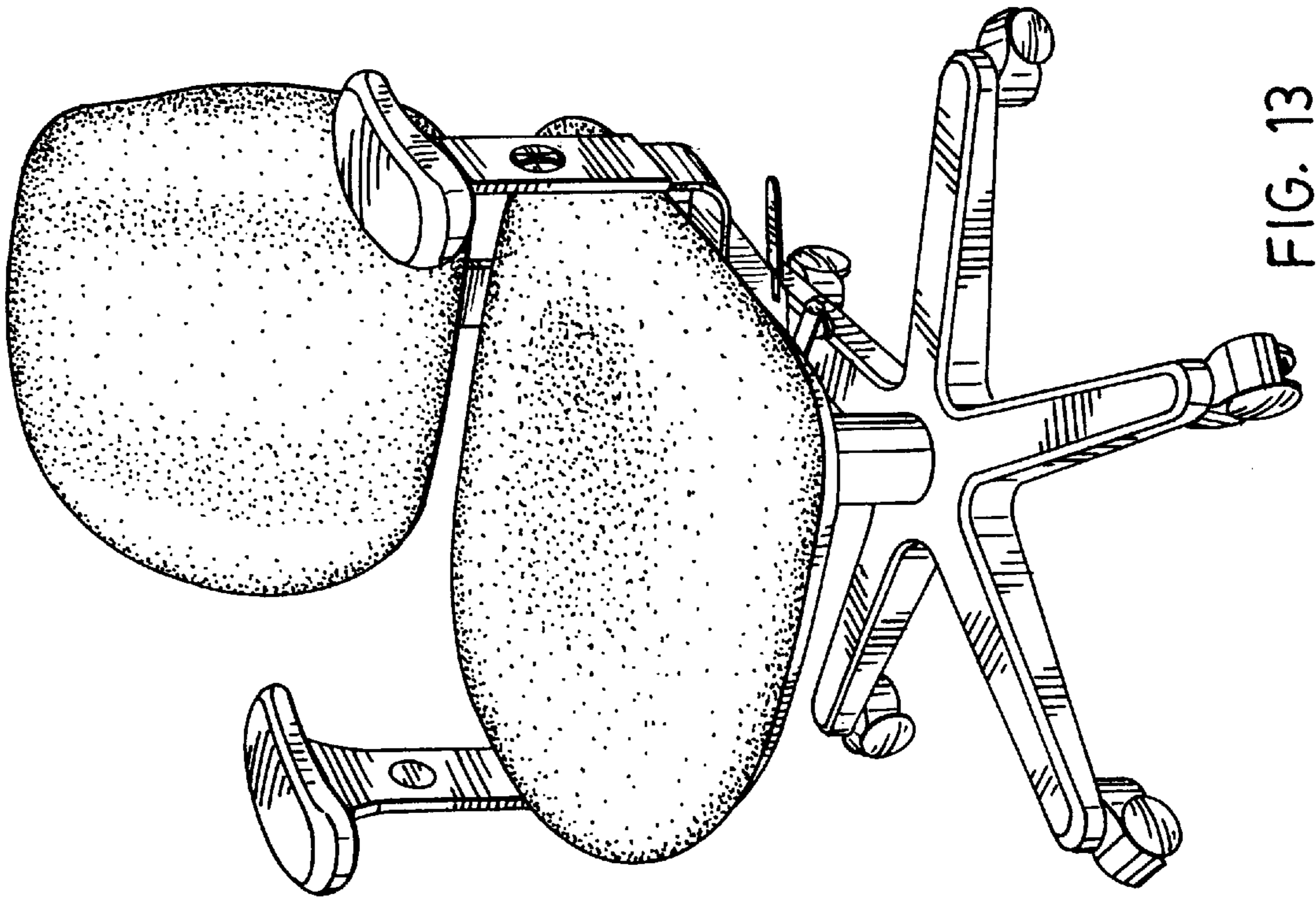


FIG. 13



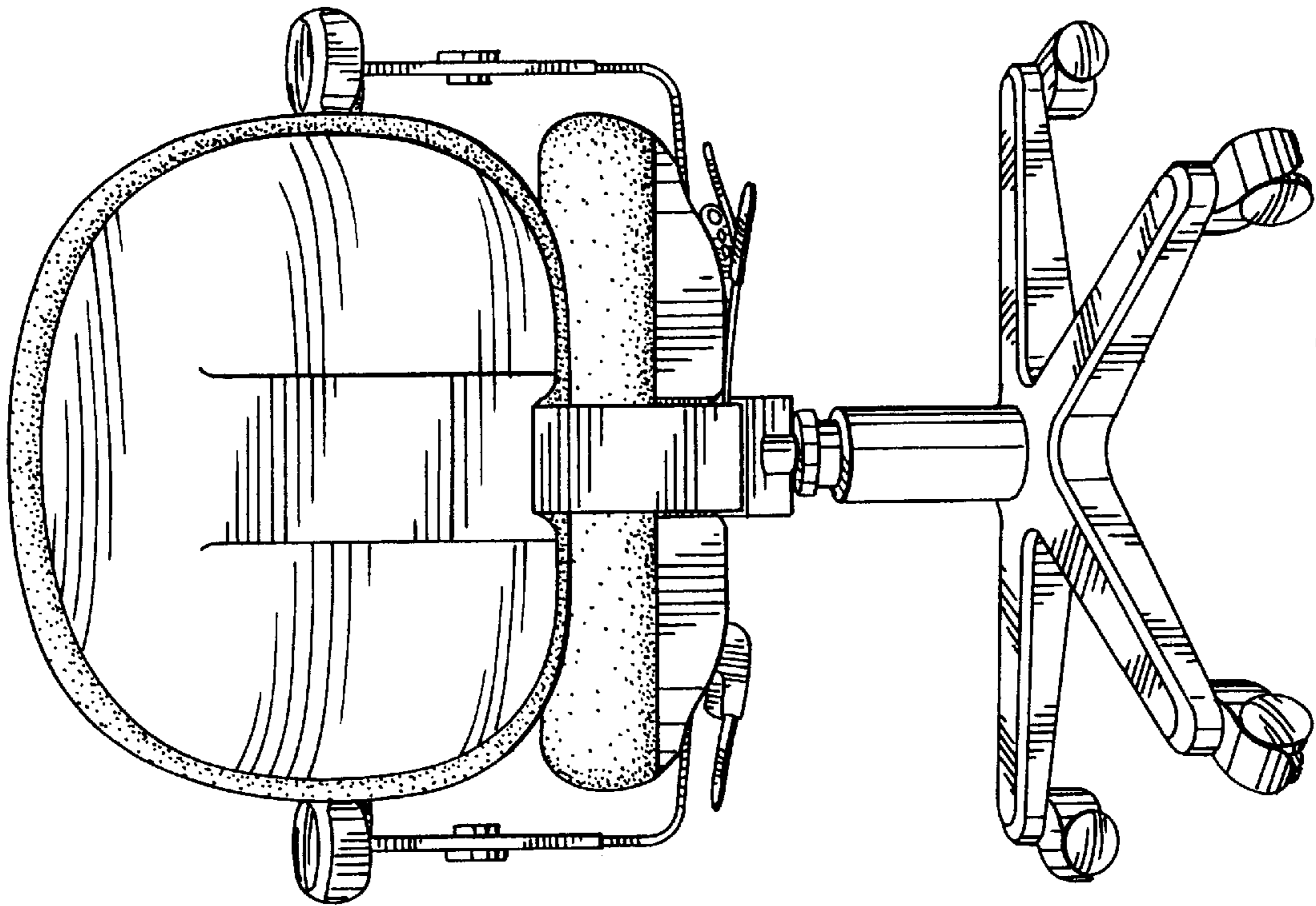


FIG. 16

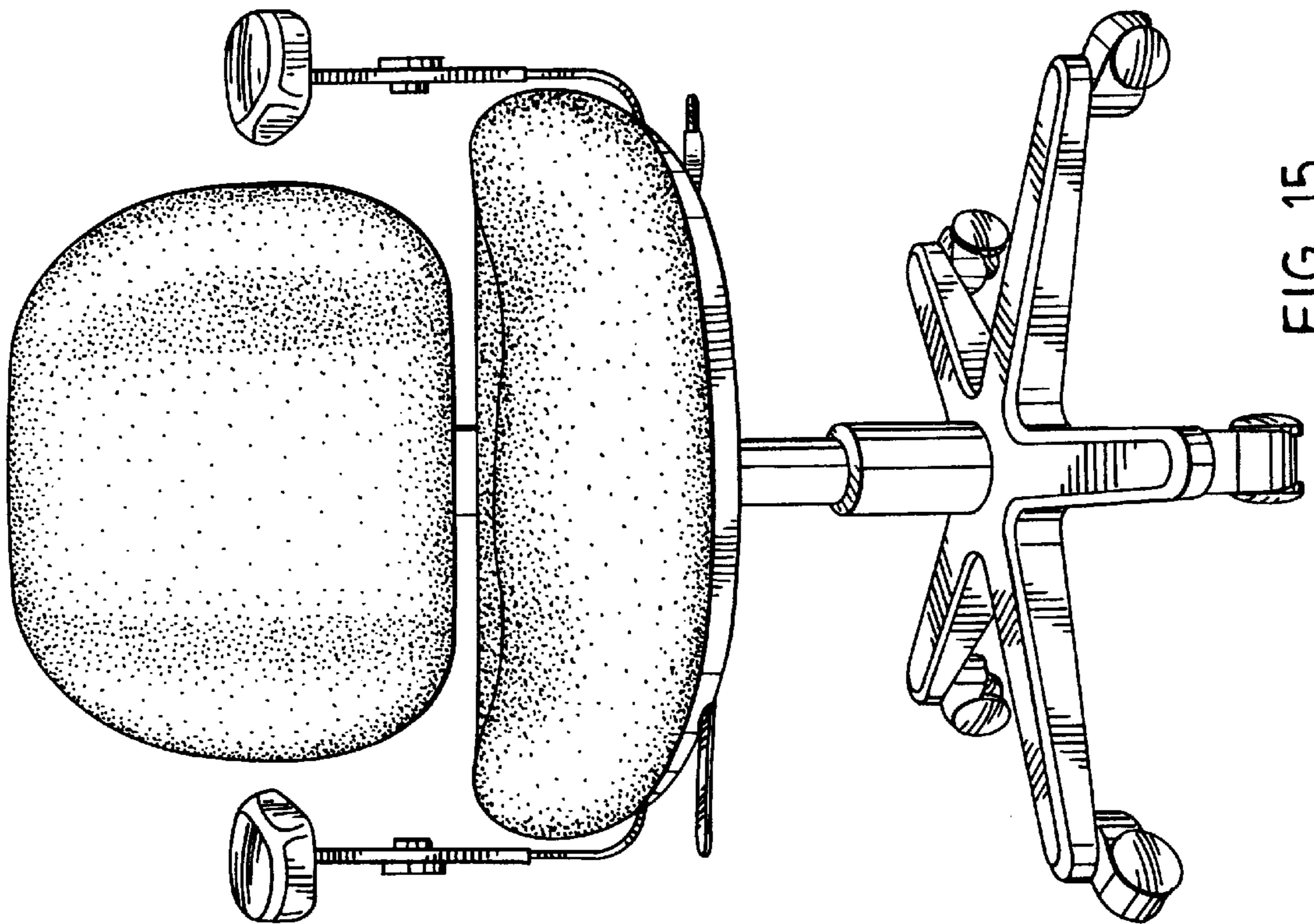


FIG. 15

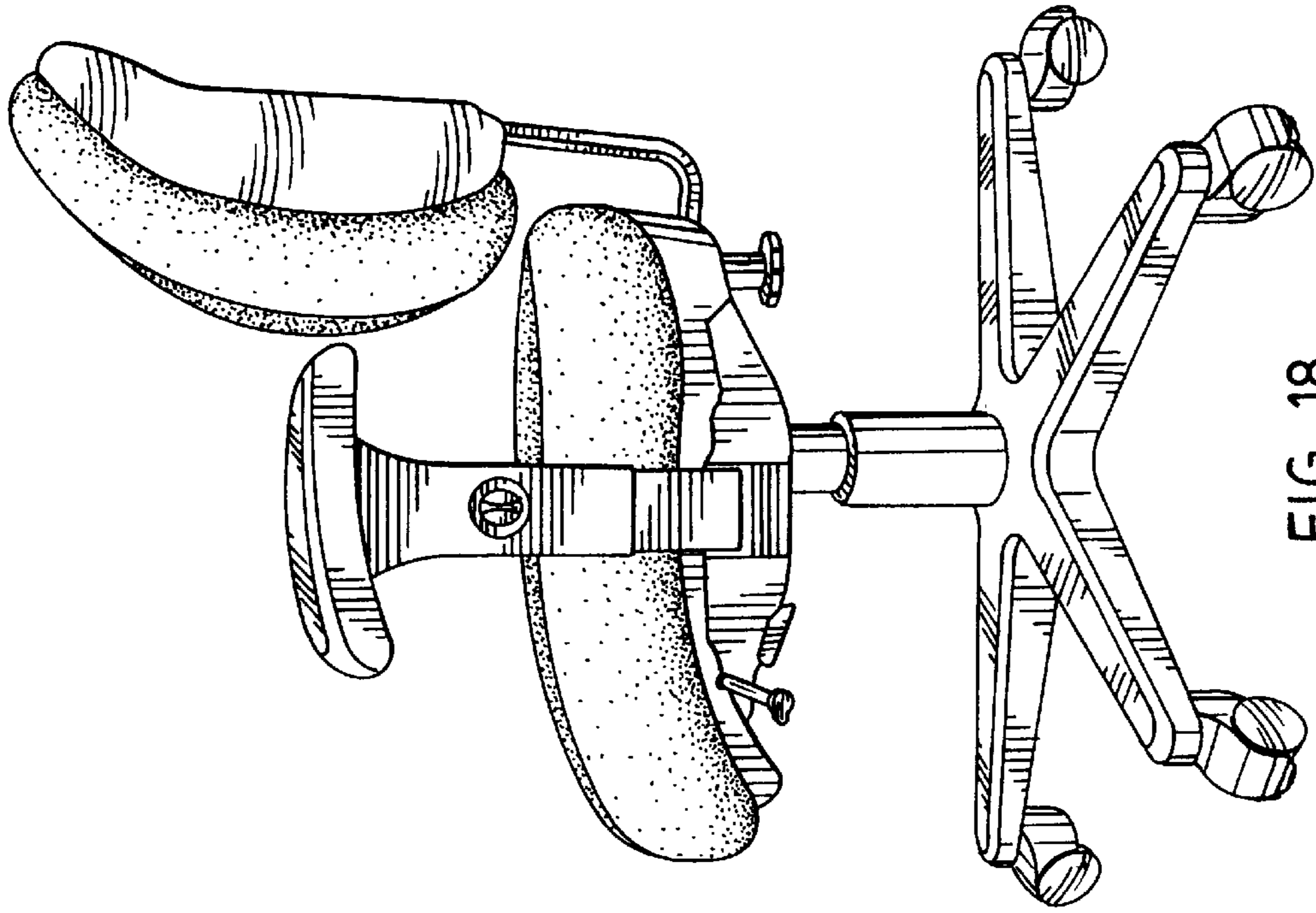


FIG. 18

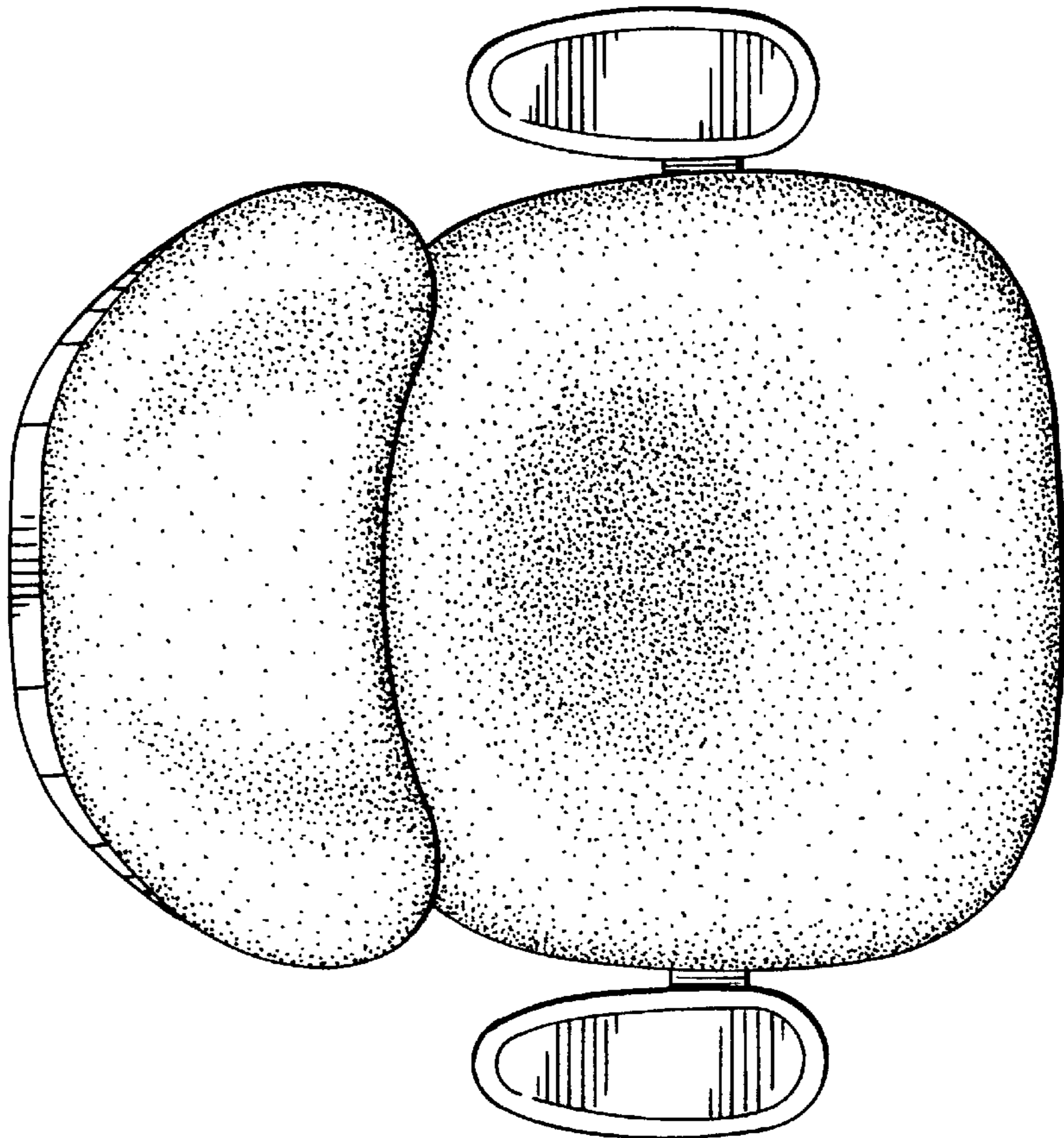


FIG. 17