



US00D414950S

United States Patent [19] James

[11] Patent Number: **Des. 414,950**

[45] Date of Patent: **** Oct. 12, 1999**

[54] **CHAIR**

[75] Inventor: **Paul A. James**, Rochester, N.Y.

[73] Assignee: **HON Technology Inc.**, Muscatine, Iowa

[**] Term: **14 Years**

[21] Appl. No.: **29/084,540**

[22] Filed: **Mar. 5, 1998**

[51] **LOC (6) Cl.** **06-01**

[52] **U.S. Cl.** **D6/366**

[58] **Field of Search** D6/334, 364, 365,
D6/366, 367, 500, 501, 502; 297/411.2,
411.36, 411.44, 411.46

[56] **References Cited**

U.S. PATENT DOCUMENTS

D. 257,412	10/1980	Wilson	D6/366
D. 267,371	12/1982	Lopez-Benitez	D6/366
D. 288,388	2/1987	Ochsner	D6/366
D. 293,517	1/1988	Bellini	D6/366
D. 318,763	8/1991	George et al.	D6/366

D. 322,898	1/1992	Zapf	D6/366
D. 354,178	1/1995	Ochsner	D6/366
D. 355,303	2/1995	Scheper et al.	D6/366
D. 357,130	4/1995	Schultz	D6/366
D. 370,789	6/1996	Grouly	D6/366
D. 401,428	11/1998	Kaczmarek	D6/366
D. 405,283	2/1999	James	D6/366
3,704,911	12/1972	Milakovich	D6/366 X

Primary Examiner—Gary D. Watson
Attorney, Agent, or Firm—Jones, Day, Reavis & Pogue

[57] CLAIM

The ornamental design for a chair, as shown and described.

DESCRIPTION

FIG. 1 is a left front perspective view of a chair showing my new design;

FIG. 2 is a front view thereof;

FIG. 3 is a rear view thereof;

FIG. 4 is a right side view thereof, the opposite side being substantially the mirror image thereof except for the absence of the adjustment lever shown underneath the seat; and,

FIG. 5 is a top view thereof.

1 Claim, 3 Drawing Sheets



FIG. 1



FIG. 2

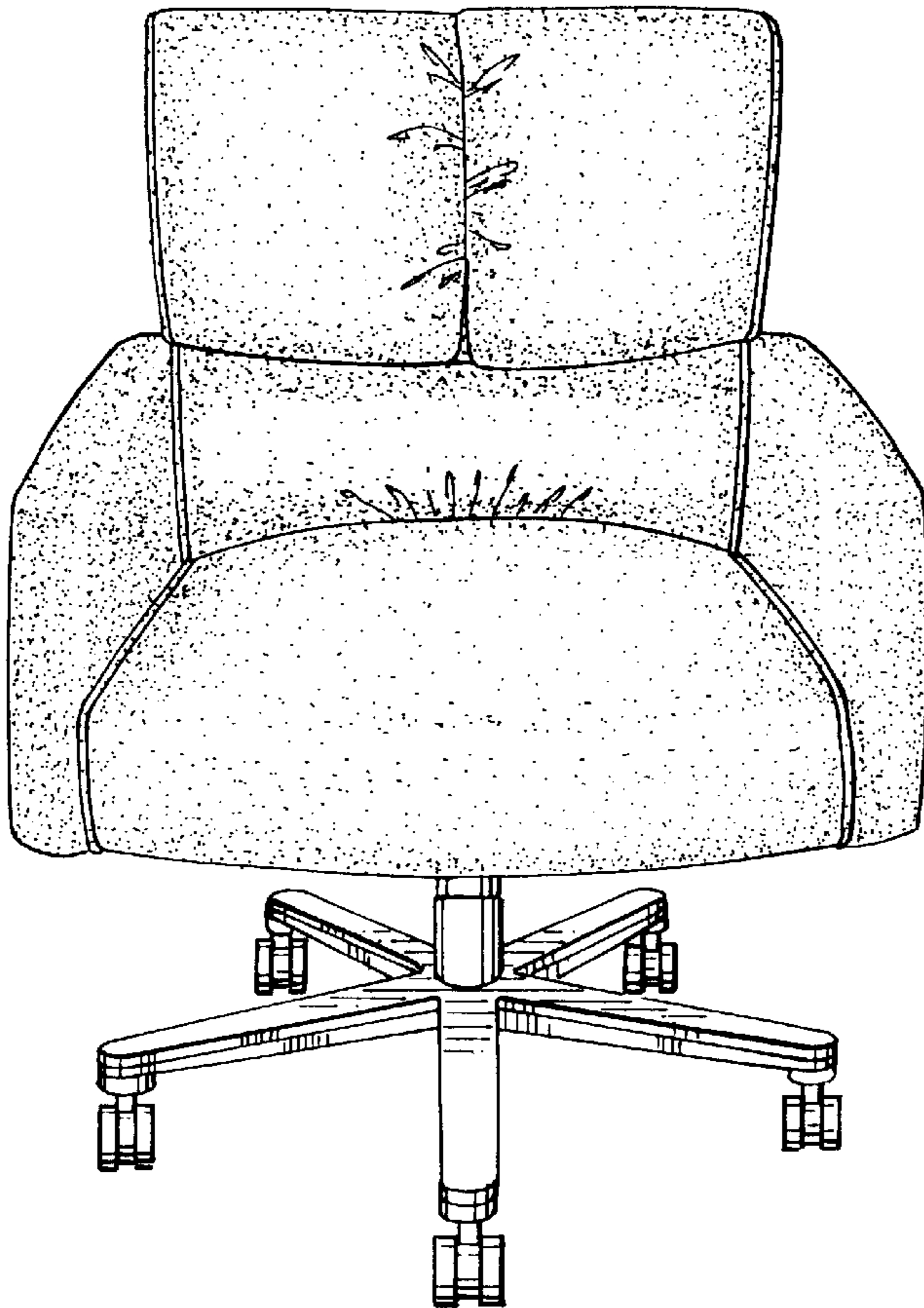


FIG. 3

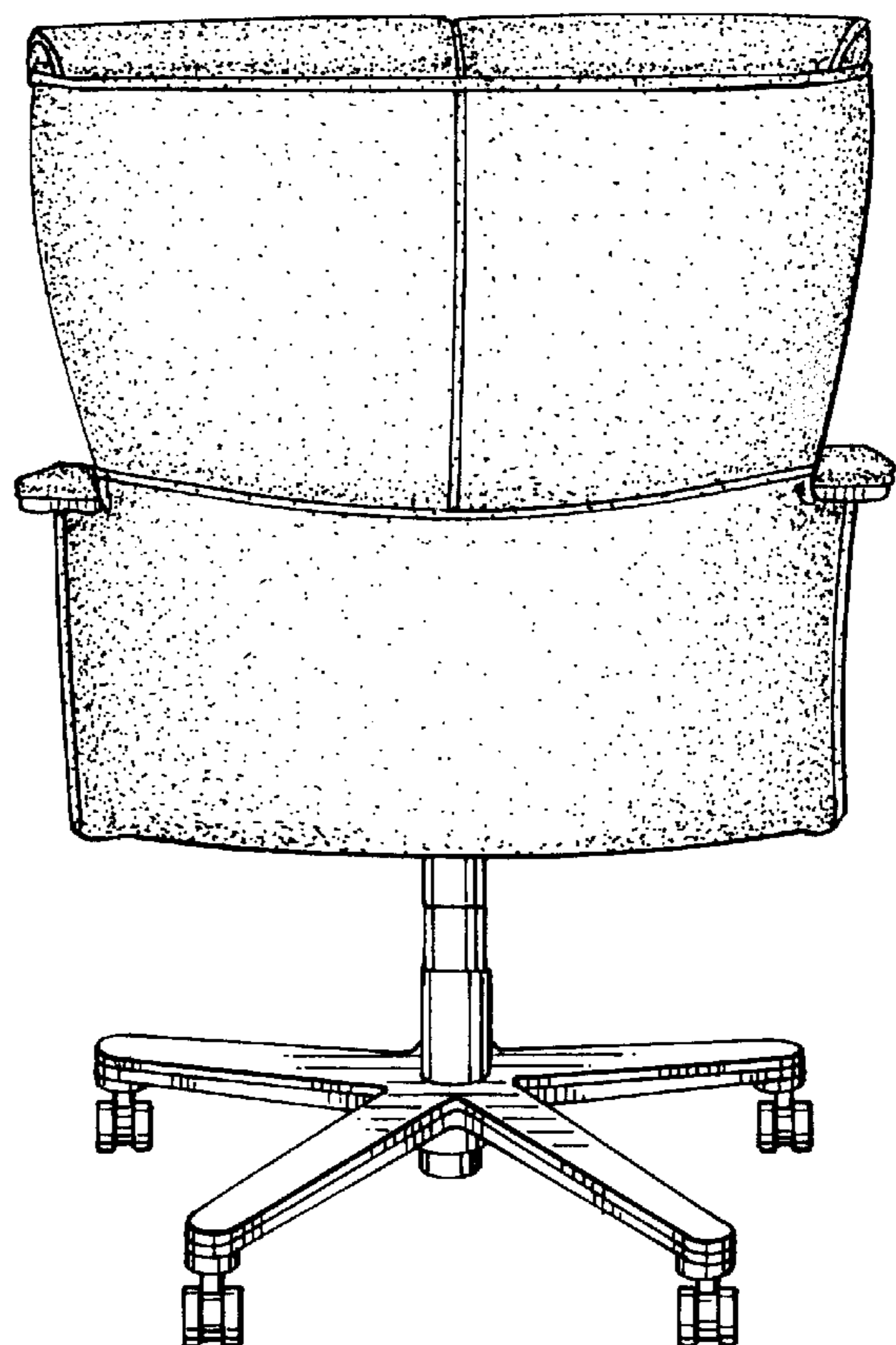


FIG. 4

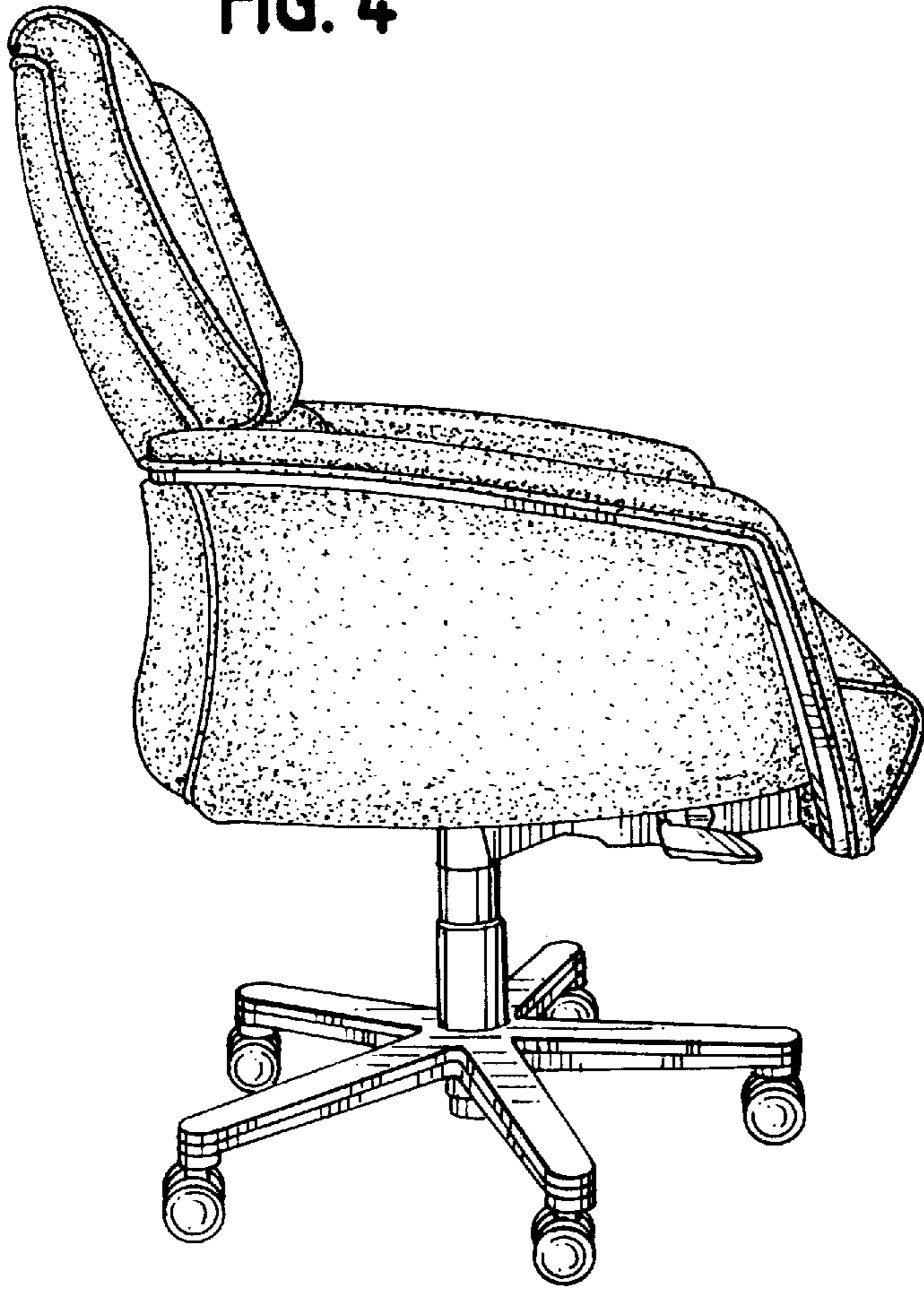


FIG. 5

