



US00D414947S

United States Patent [19] Liu

[11] **Patent Number: Des. 414,947**

[45] **Date of Patent: ** Oct. 12, 1999**

[54] **ROTARY ROCKING CHAIR**

[76] Inventor: **Lausan Chung Hsin Liu**, No. 243,
Chien-Kuo Rd., Hsin-Tien City, Taipei
Hsien, Taiwan

[**] Term: **14 Years**

[21] Appl. No.: **29/090,567**

[22] Filed: **Jul. 10, 1998**

[51] **LOC (6) Cl. 06-01**

[52] **U.S. Cl. D6/344; D6/365**

[58] **Field of Search D6/334-335, 344,
D6/364, 365, 374, 375, 376, 379, 500,
501, 502; 297/281, 282, 344.21, 344.26**

[56] **References Cited**

U.S. PATENT DOCUMENTS

D. 299,986	2/1989	Doughty	D6/365
D. 300,090	3/1989	Frinier	D6/365
D. 335,038	4/1993	Tseng	D6/365
D. 335,039	4/1993	Tseng	D6/365
D. 340,361	10/1993	Tseng	D6/365
2,916,084	12/1959	Bottemiller et al.	297/344.26
5,599,064	2/1997	Vanderminden, Sr.	297/344.21

OTHER PUBLICATIONS

#962, Deep seating Cushion, p. 87, Winston catalog, 1991-92.

#1915, Swivel Tilt Chair, p. 36, Winston catalog, 1991-92.

#1032, Game Chair Cushion, and #1035, High Back Cushion, p. 35, Winston catalog, 1994-95.

#B018, High Back Chair, Cushion and Umbrallas brochure, Aug. 15, 1995.

Primary Examiner—Doris V. Coles
Assistant Examiner—Mimosa De
Attorney, Agent, or Firm—Bacon & Thomas, PLLC

[57] **CLAIM**

The ornamental design for rotary rocking chair, as shown and described.

DESCRIPTION

FIG. 1 is a perspective view of a rotary rocking chair showing my new design thereof;

FIG. 2 is a front elevational view thereof;

FIG. 3 is a rear side elevational view thereof;

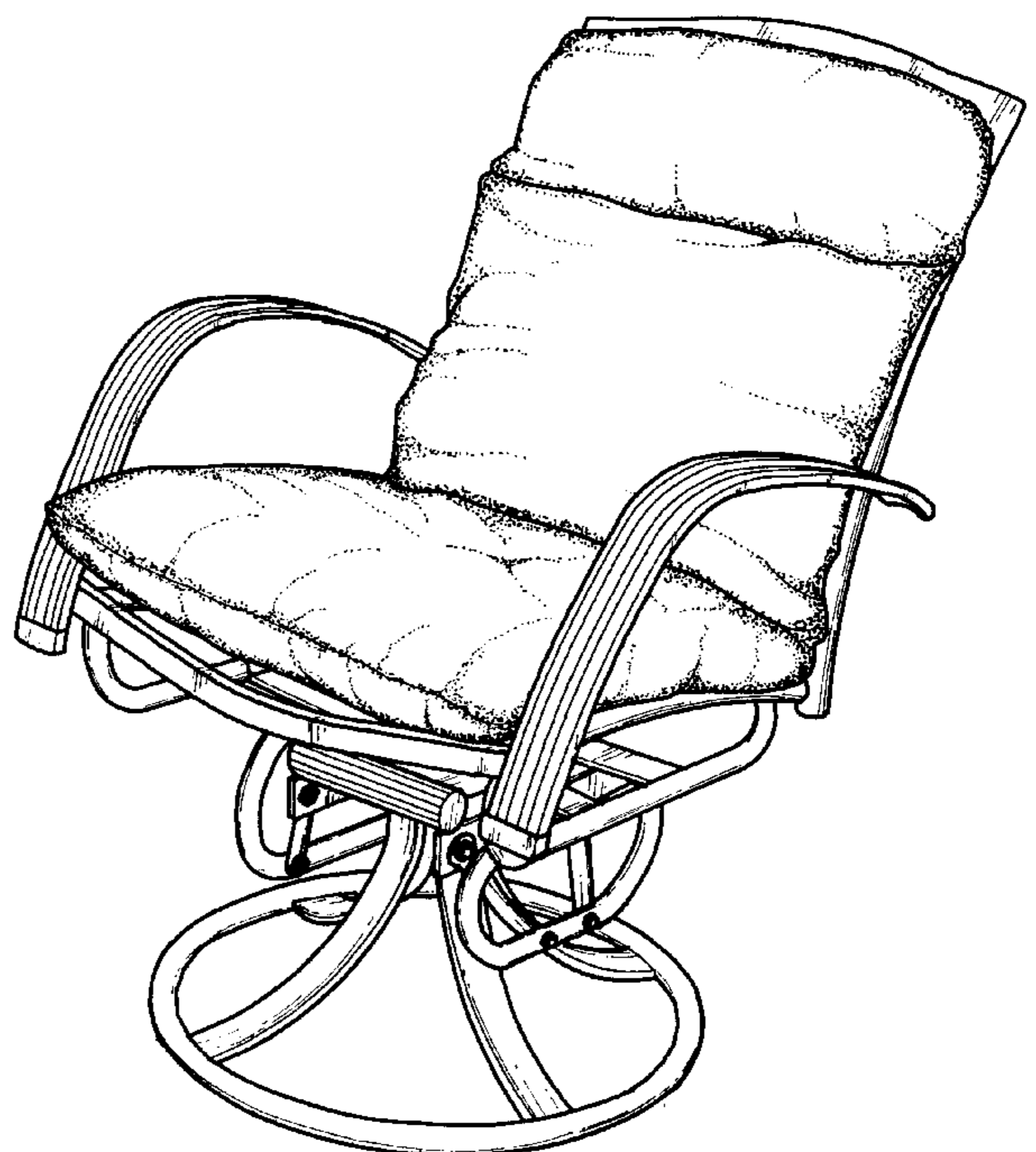
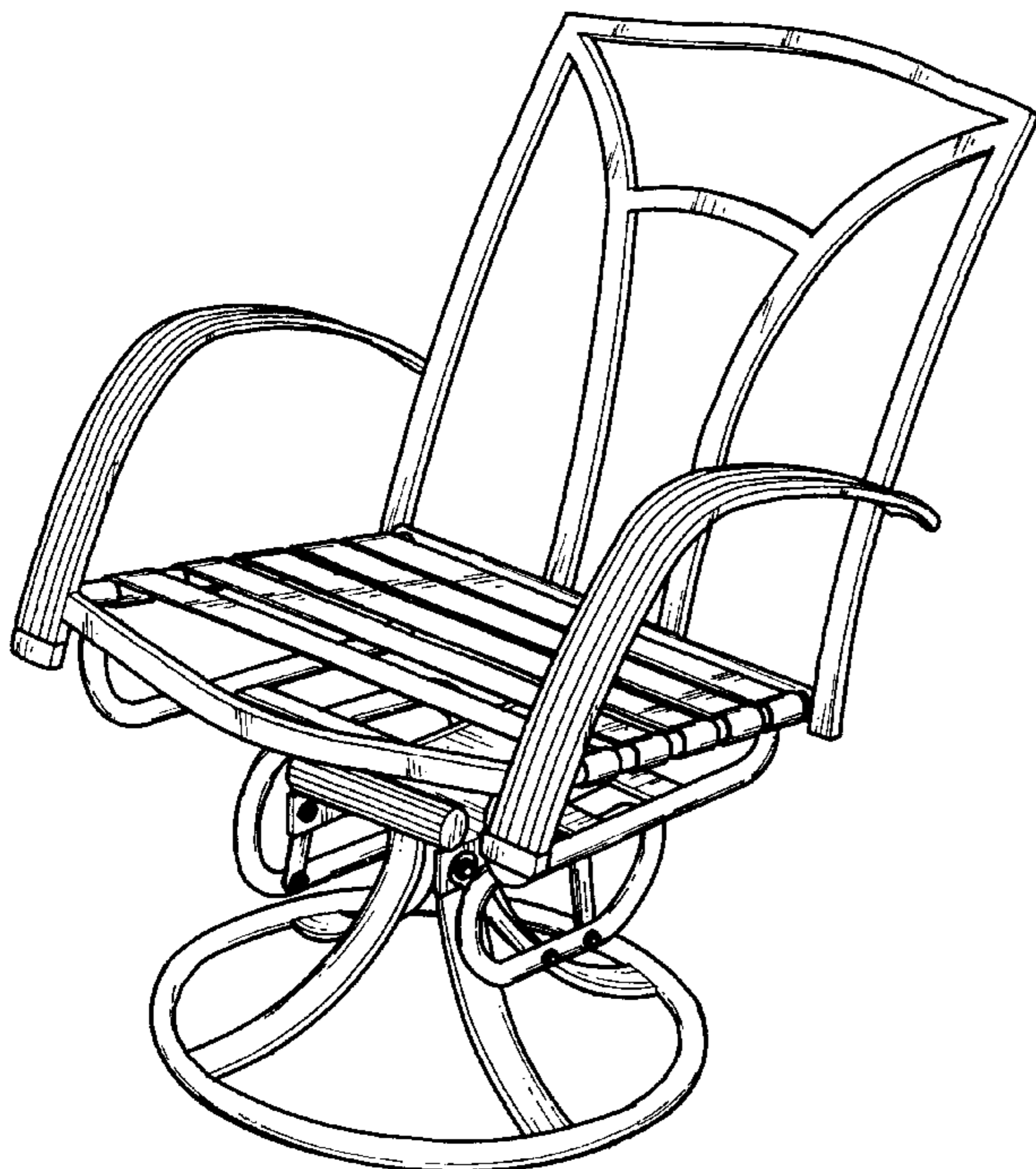
FIG. 4 is a left elevational view and the right side elevational view being a mirror image thereof;

FIG. 5 is a top plan view thereof;

FIG. 6 is a bottom plan view thereof; and,

FIG. 7 is a perspective view of a rotary rocking chair showing a second embodiment of my new design, the sole difference being the addition of the seat cushion, it being understood that the bottom and rear surfaces of the cushion are the same as the top and front surfaces thereof and that the remaining views are the same as the first embodiment.

1 Claim, 5 Drawing Sheets



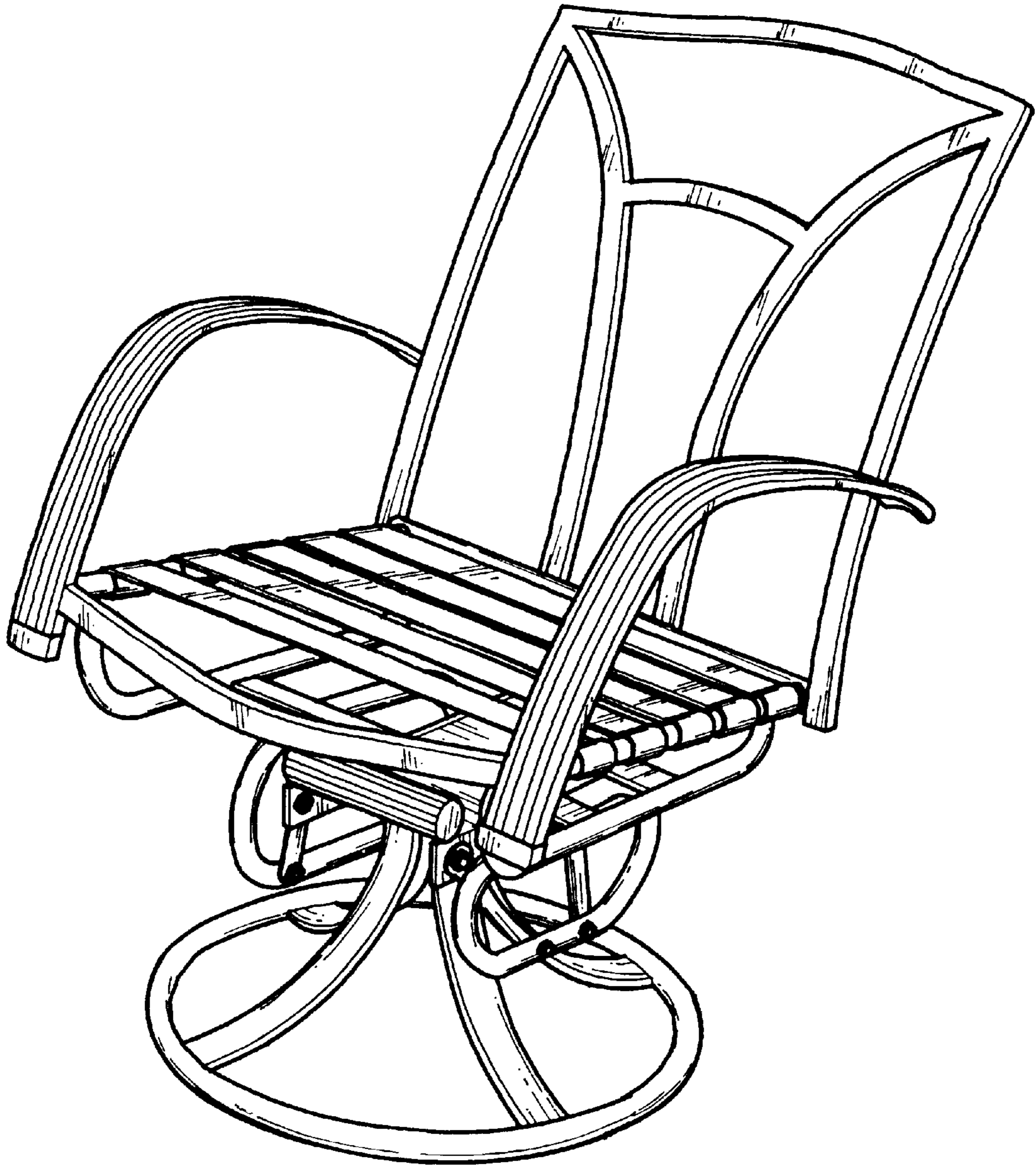


Fig. 1

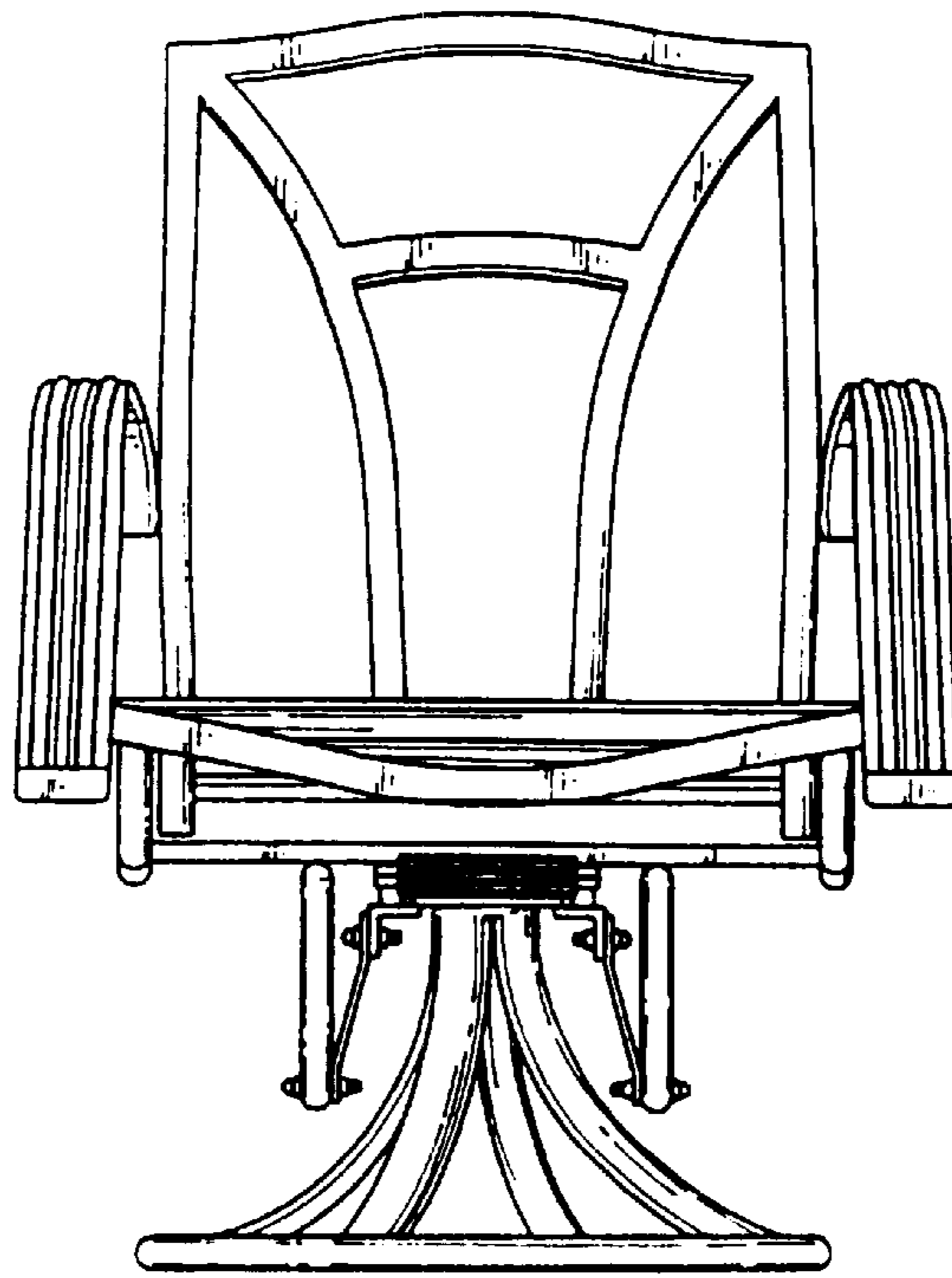


Fig. 2

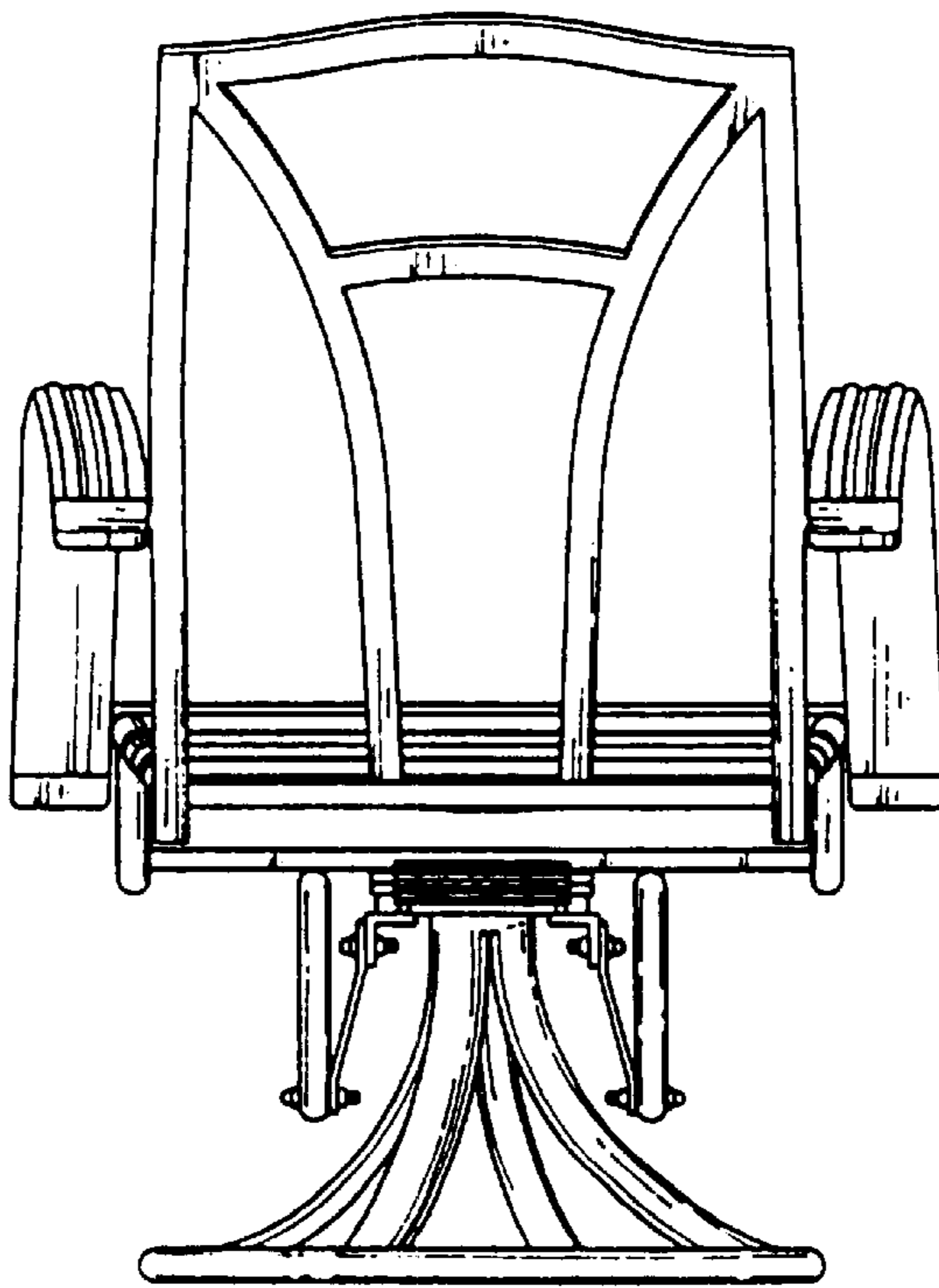


Fig. 3

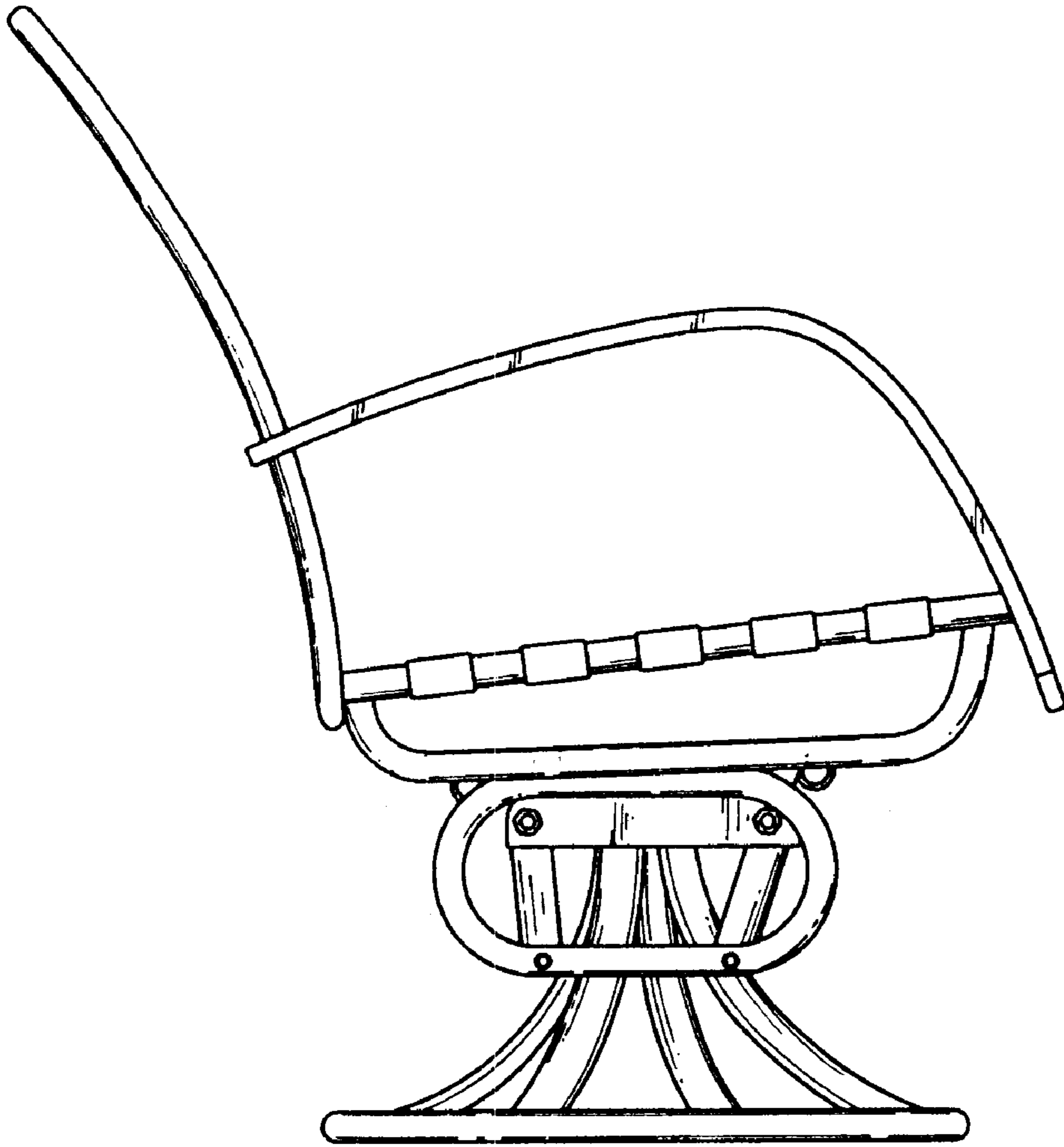


Fig. 4

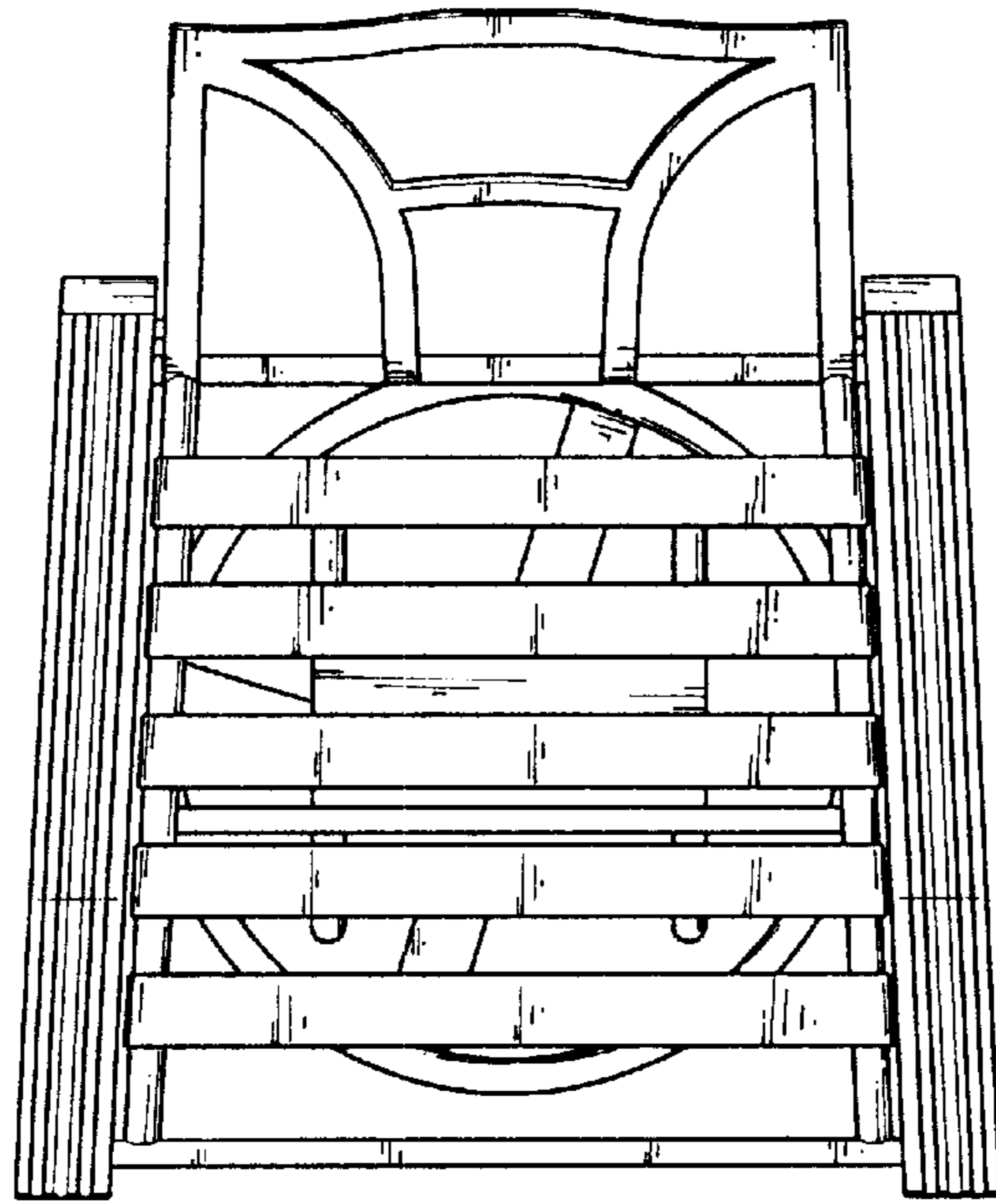


Fig. 5

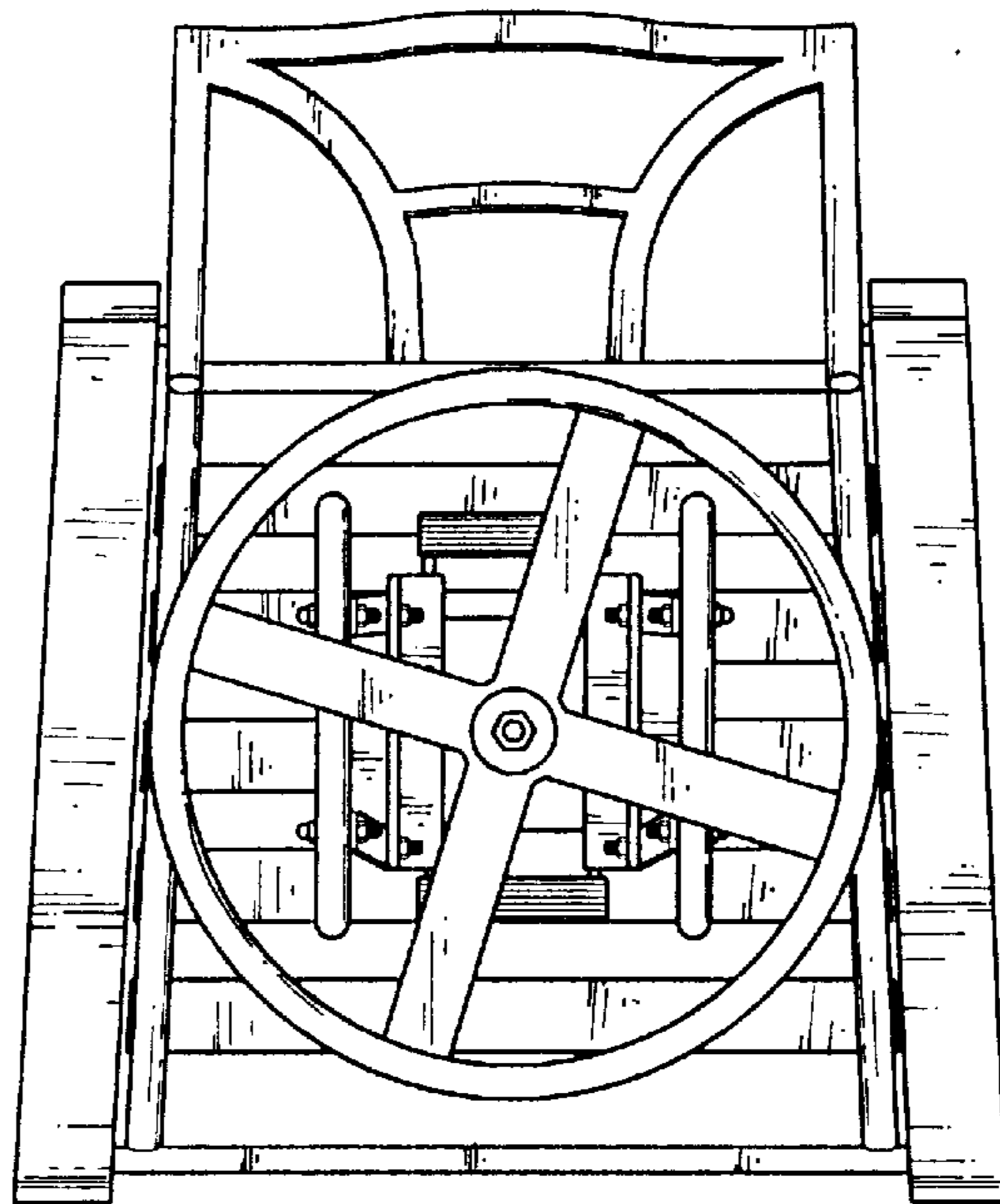


Fig. 6



Fig. 7