



US00D414939S

# United States Patent [19]

Pedro, Jr. et al.

[11] Patent Number: Des. 414,939

[45] Date of Patent: \*\* Oct. 12, 1999

[54] TOOTHBRUSH HANDLE

[75] Inventors: **Gabriel Pedro, Jr.; Bernard Reinesch; Luiz Bellino Simionato**, all of Sao Jose dos Campos; **Fabio Eduardo Franca Rangel; Orlando Marson Neto**, both of Jacarei, all of Brazil

[73] Assignee: **McNeil-PPC, Inc.**, Skillman, N.J.

[\*\*] Term: **14 Years**

[21] Appl. No.: **29/093,668**

[22] Filed: **Sep. 16, 1998**

[51] LOC (6) Cl. .... **04-02**

[52] U.S. Cl. .... **D4/104**

[58] Field of Search ..... D4/104-112, 132-134, D4/138; 15/143.1, 159.1, 160, 167.1, 186, 187; 132/308; 601/139, 141

### [56] References Cited

#### U.S. PATENT DOCUMENTS

- D. 118,268 12/1939 Salit ..... D4/104
- D. 285,263 8/1986 Hill ..... D4/104
- D. 324,775 3/1992 Kreisher et al. .... D4/104

- D. 328,392 8/1992 Holstein, II et al. .... D4/104
- D. 360,984 8/1995 Sullivan, IV ..... D4/104
- D. 368,804 4/1996 Yost et al. .... D4/104

*Primary Examiner*—Alan P. Douglas  
*Assistant Examiner*—Lavone D. Tabor  
*Attorney, Agent, or Firm*—Lawrence D. Schuler

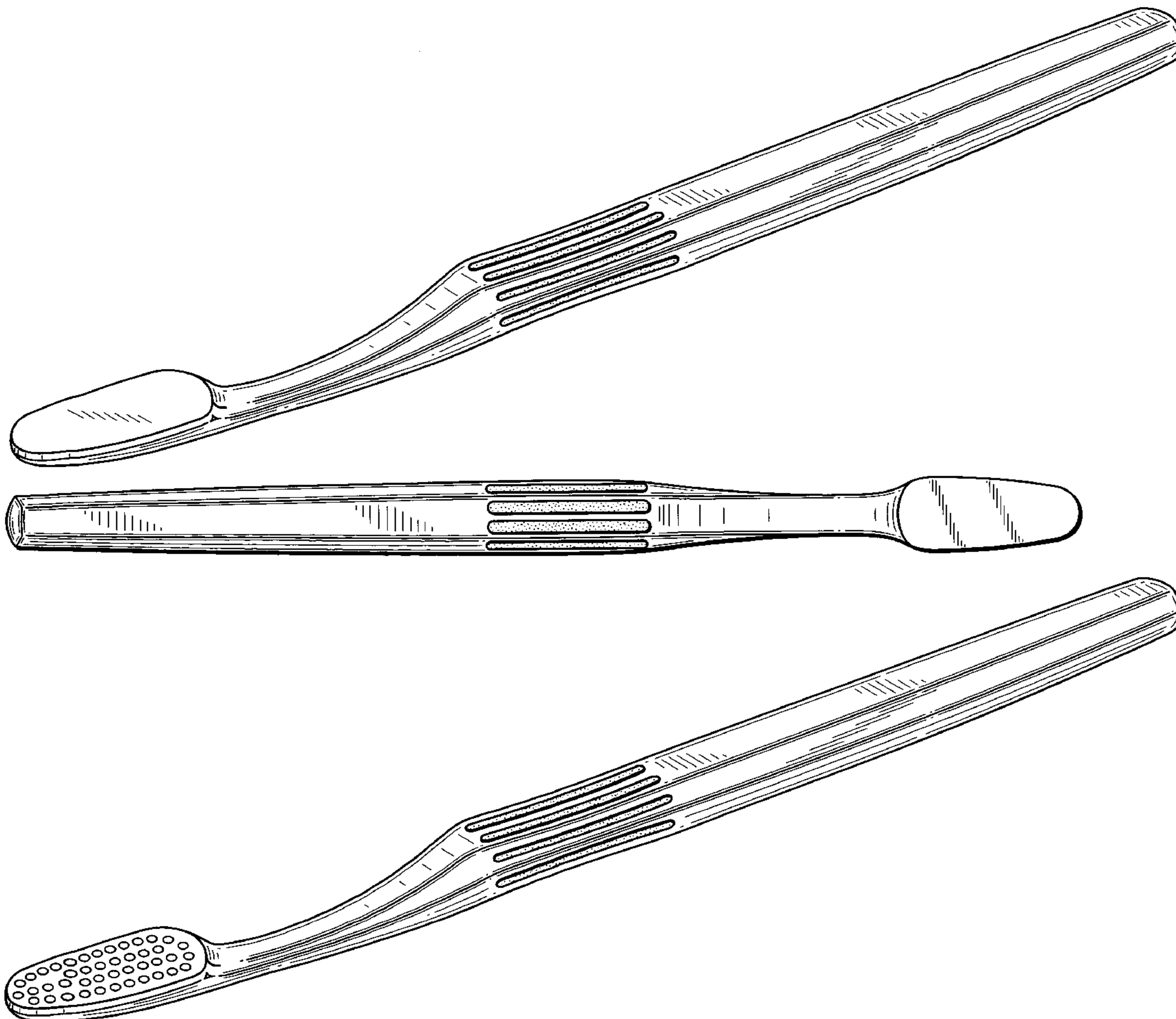
### [57] CLAIM

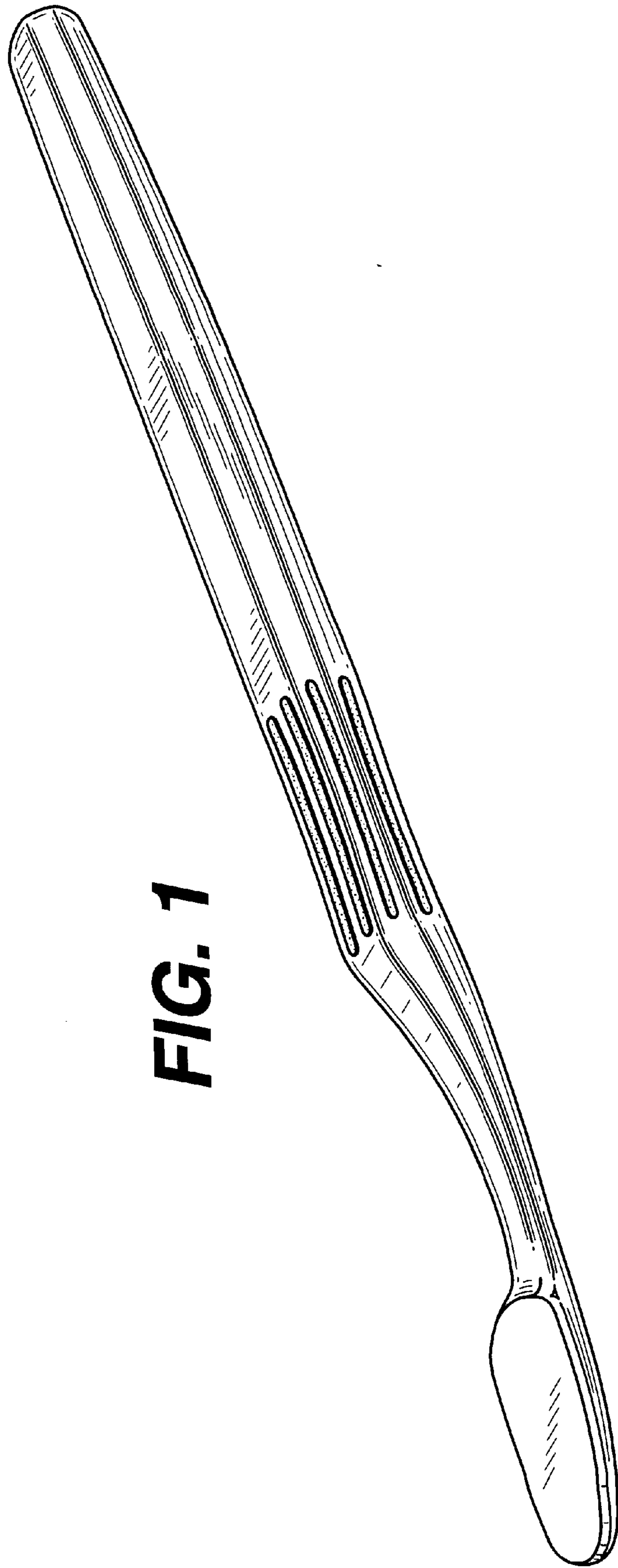
The ornamental design for a toothbrush handle, as shown and described.

### DESCRIPTION

FIG. 1 is a perspective view showing the toothbrush handle of our design;  
FIG. 2 is a top plan view thereof;  
FIG. 3 is a side elevational view thereof, the opposite side being a mirror image;  
FIG. 4 is a bottom plan view thereof;  
FIG. 5 is a front elevational view thereof;  
FIG. 6 is a rear elevational view thereof; and,  
FIG. 7 is a perspective view of a second embodiment of the design that is shown in FIGS. 1-6 with the only difference residing in the plurality of holes in the head portion.

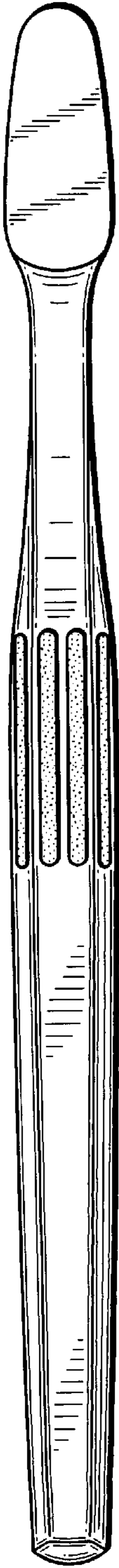
**1 Claim, 4 Drawing Sheets**



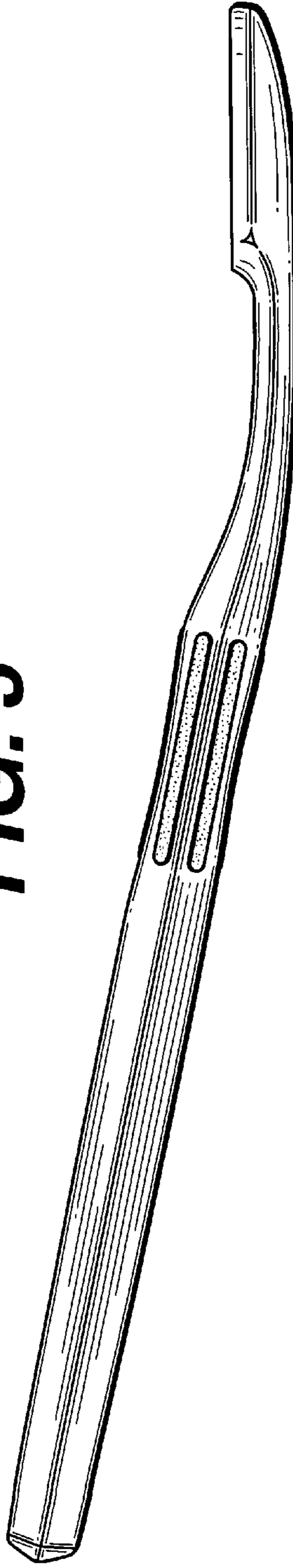


**FIG. 1**

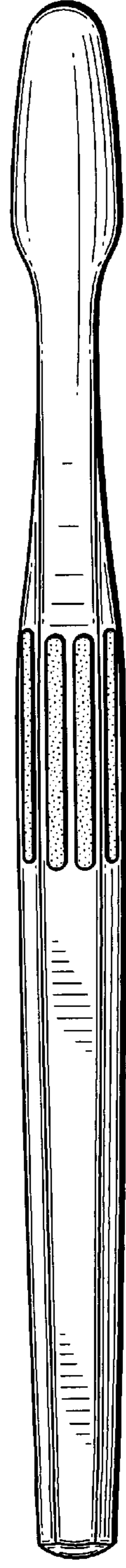
**FIG. 2**



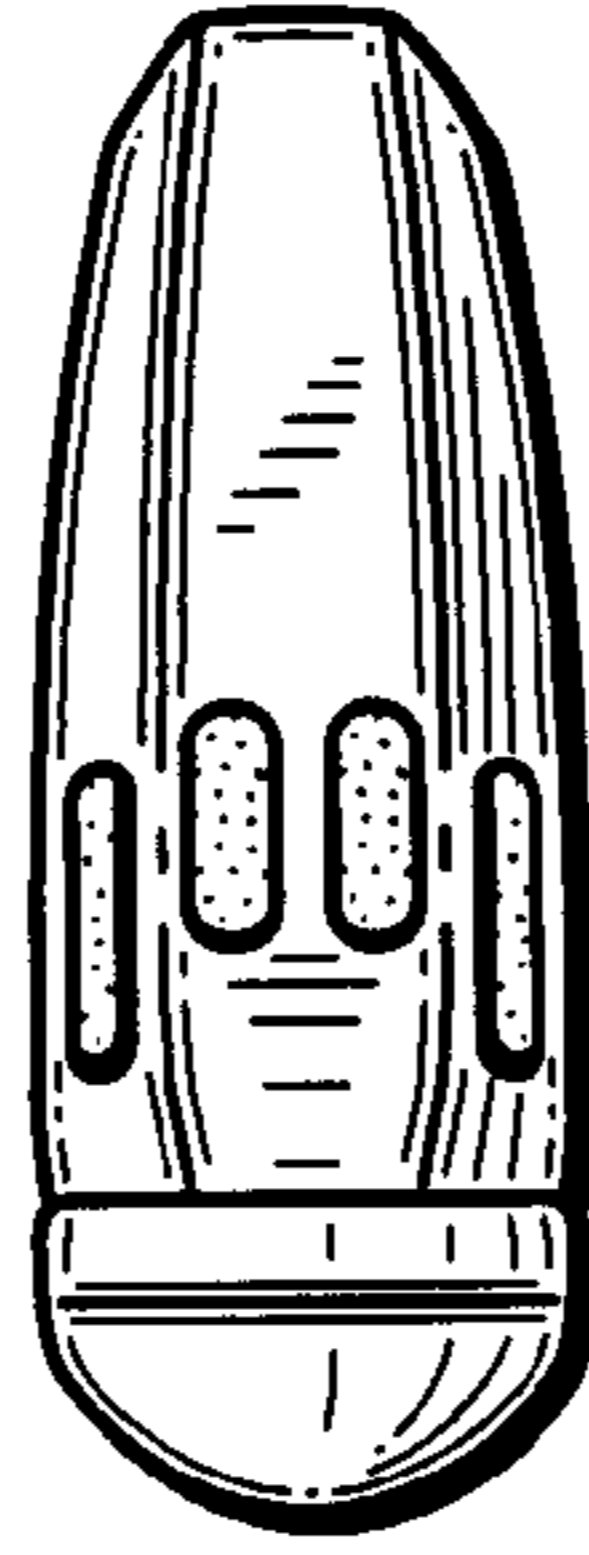
**FIG. 3**



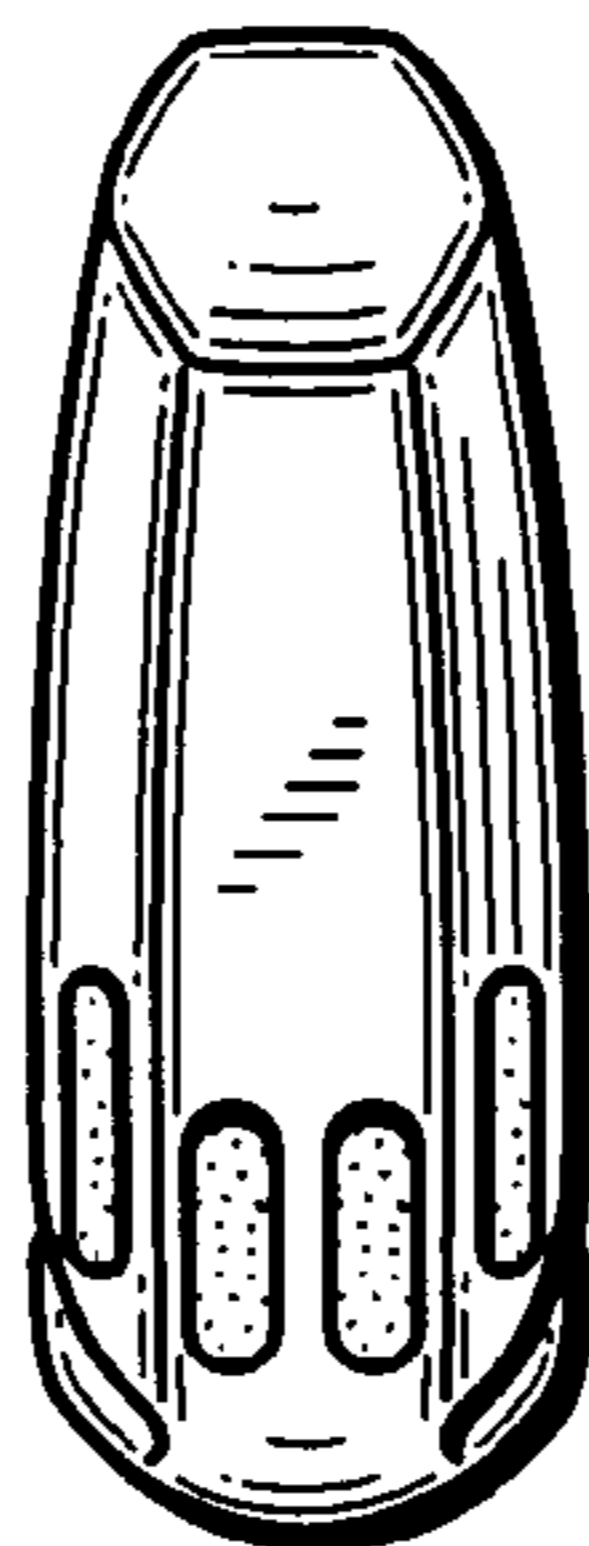
**FIG. 4**

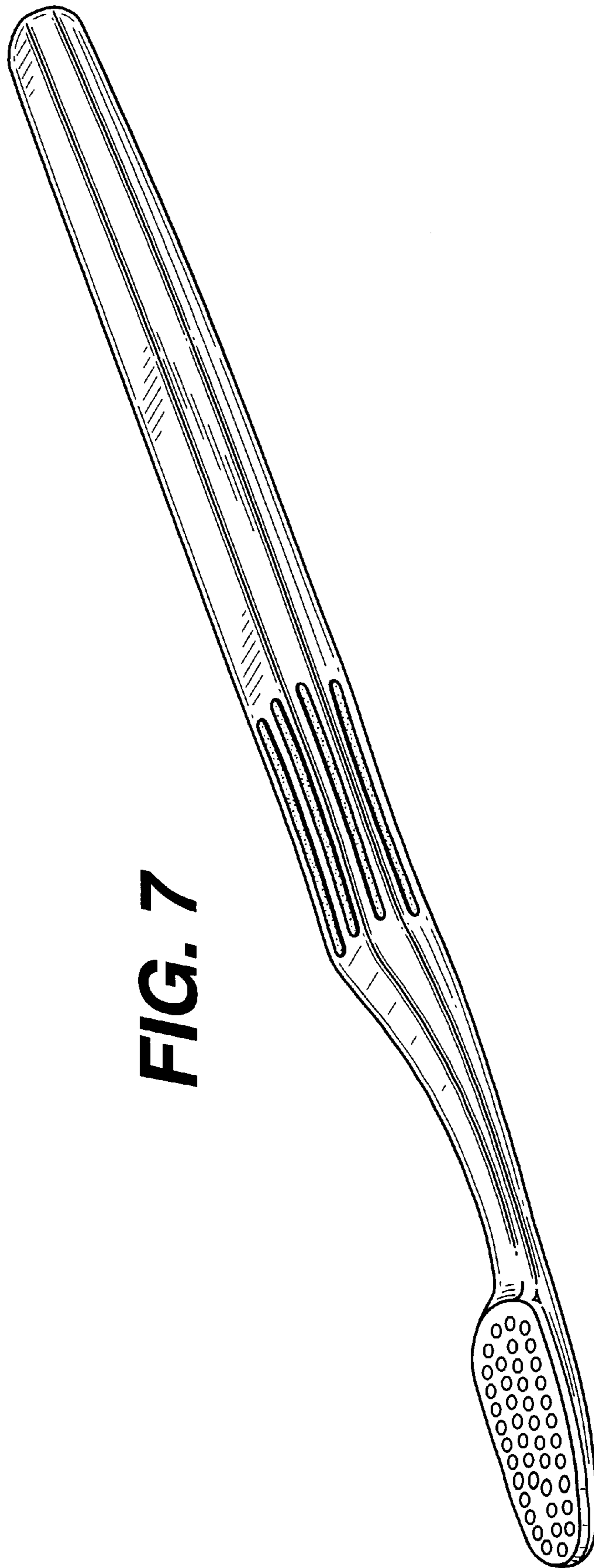


**FIG. 5**



**FIG. 6**





**FIG. 7**