



US00D414938S

United States Patent [19] Von Stein

[11] Patent Number: Des. 414,938

[45] Date of Patent: ** Oct. 12, 1999

[54] BRISTLED HEAD FOR A TOOTHBRUSH

[75] Inventor: Paul Von Stein, Moon Township, Pa.

[73] Assignee: SmithKline Beecham Corporation, Philadelphia, Pa.

[**] Term: 14 Years

[21] Appl. No.: 29/089,229

[22] Filed: Jun. 10, 1998

[51] LOC (6) Cl. 04-02

[52] U.S. Cl. D4/104

[58] Field of Search D4/104-108, 110, D4/112, 130, 132, 134; 15/159.1, 160, 167.1, 186, 187, DIG. 5, 207.2; 132/308; 601/139, 141

[56] **References Cited**

U.S. PATENT DOCUMENTS

D. 328,392	8/1992	Holstein, II et al. .	
D. 328,977	9/1992	Halm .	
D. 386,004	11/1997	Trojanowski et al. .	
D. 391,083	2/1998	Nicoll	D4/104
4,637,660	1/1987	Weihrauch .	
4,954,305	9/1990	Weihrauch .	
4,979,782	12/1990	Weihrauch .	
5,052,071	10/1991	Halm .	
5,459,899	10/1995	Bauer .	
5,511,275	4/1996	Volpenhein et al. .	

FOREIGN PATENT DOCUMENTS

53-30970	3/1978	Japan .
60-60937	4/1985	Japan .
WO 97/31555	9/1997	WIPO .

OTHER PUBLICATIONS

D.W. MacFarlane, British Dental Journal; vol. LXXIX, No. 7, 1945, pp. 179-182.

Primary Examiner—Alan P. Douglas
Assistant Examiner—Lavone D. Tabor
Attorney, Agent, or Firm—Nora Stein-Fernandez; Janice E. Williams; Charles M. Kinzig

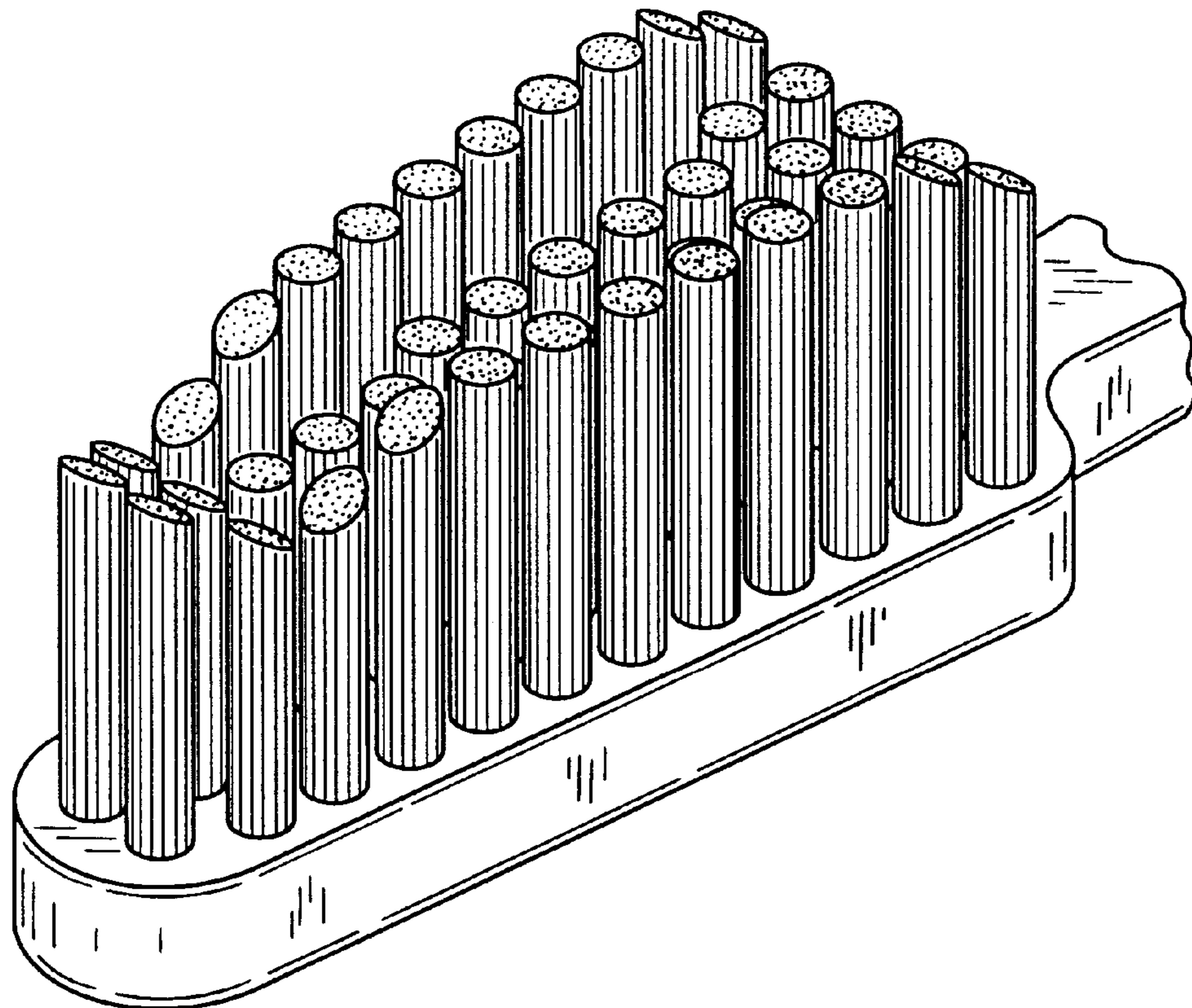
[57] **CLAIM**

The ornamental design for a bristled head for a toothbrush, as shown and described.

DESCRIPTION

FIG. 1 is a perspective view of a bristled head for a toothbrush showing my new design; FIG. 2 is a top view thereof; FIG. 3 is a side elevation view thereof, the opposite side being a mirror image; FIG. 4 is a bottom view thereof; FIG. 5 is a front view thereof; FIG. 6 is a rear view thereof; and, FIG. 7 is a perspective view thereof with the broken line showing of a handle being for illustrative purposes only and forming no part of the claimed design.

1 Claim, 4 Drawing Sheets



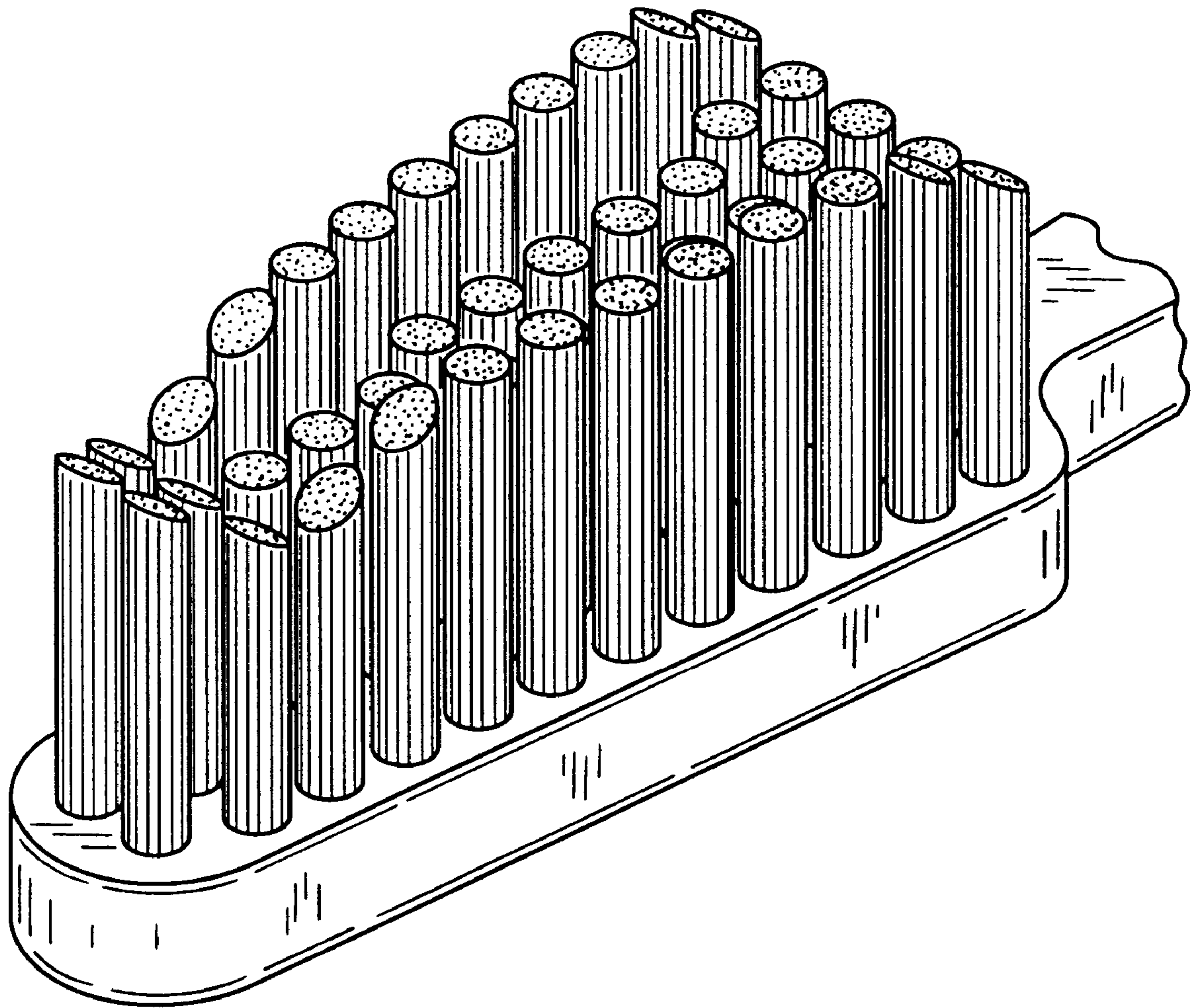


FIG. 1

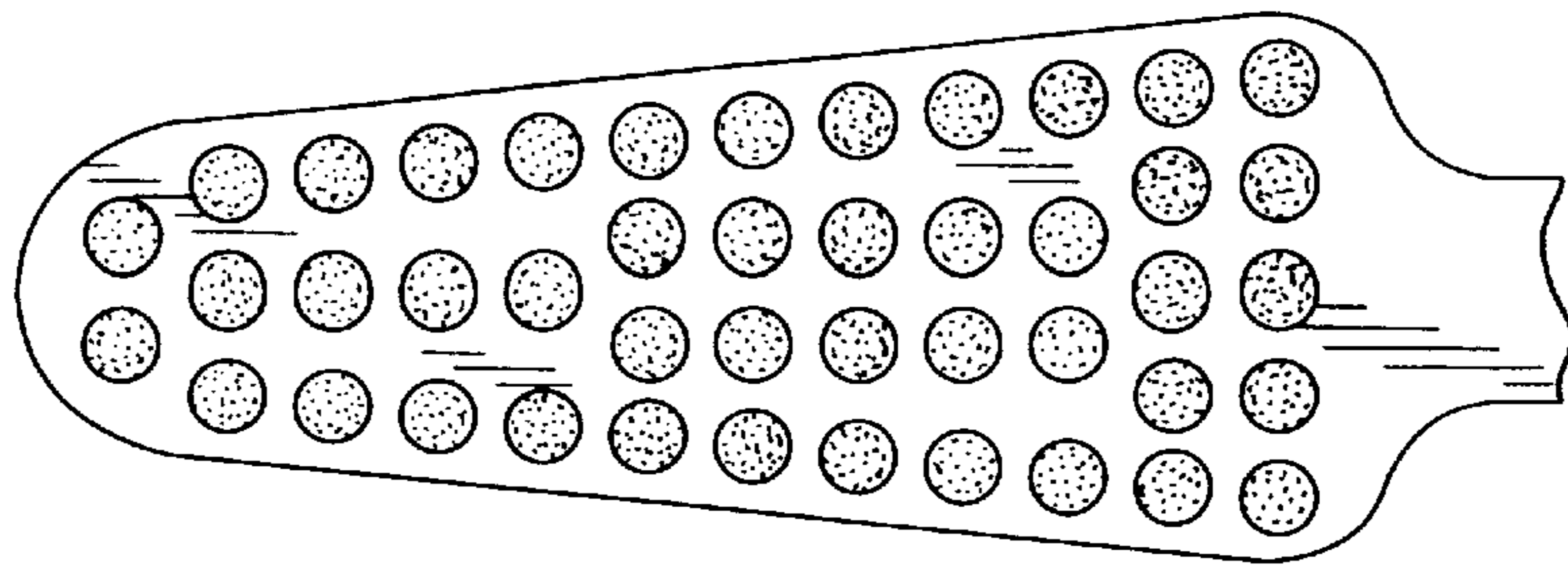


FIG. 2

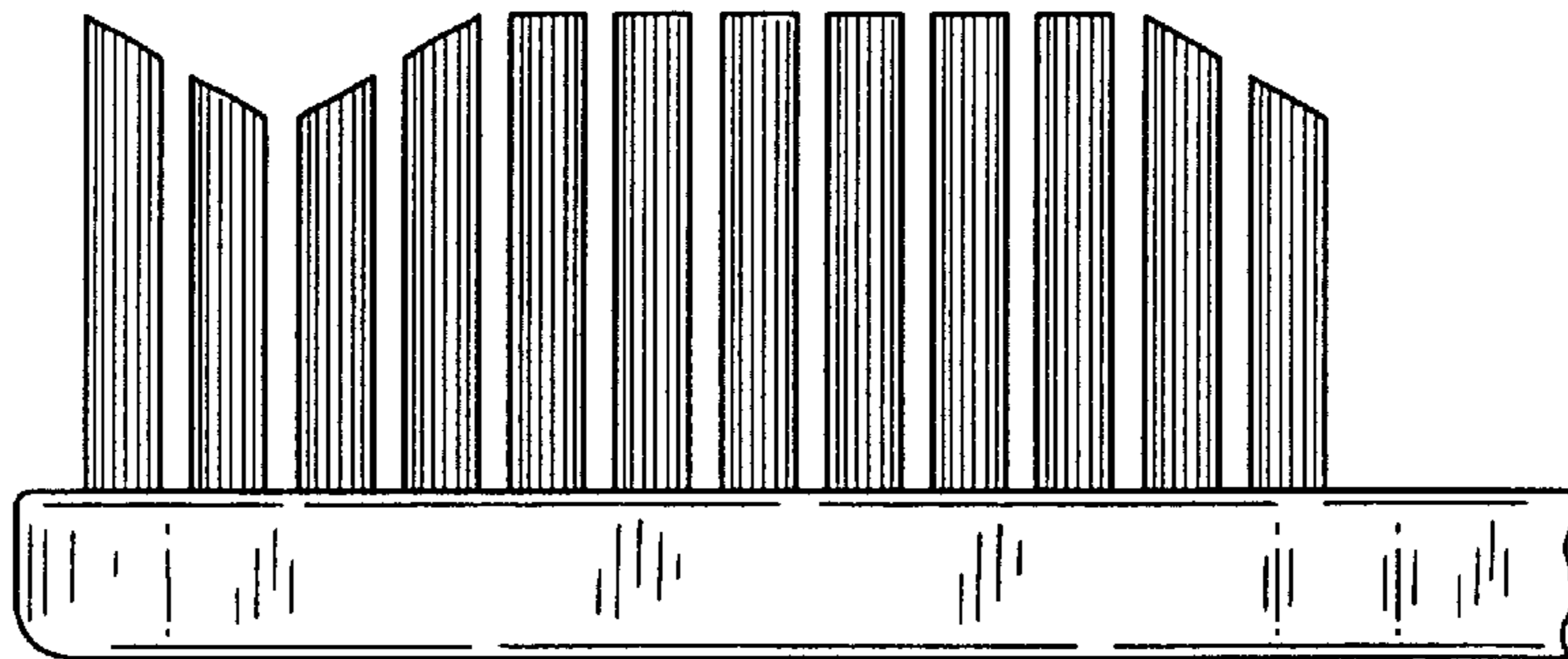


FIG. 3

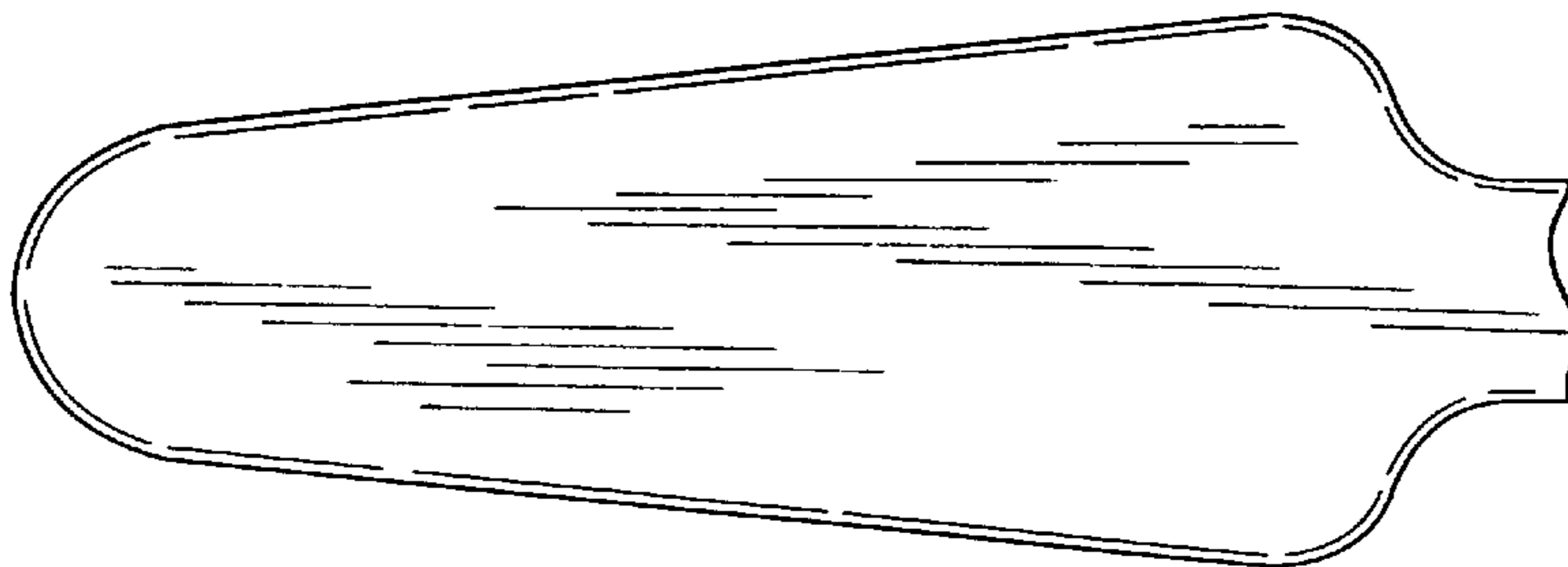


FIG. 4

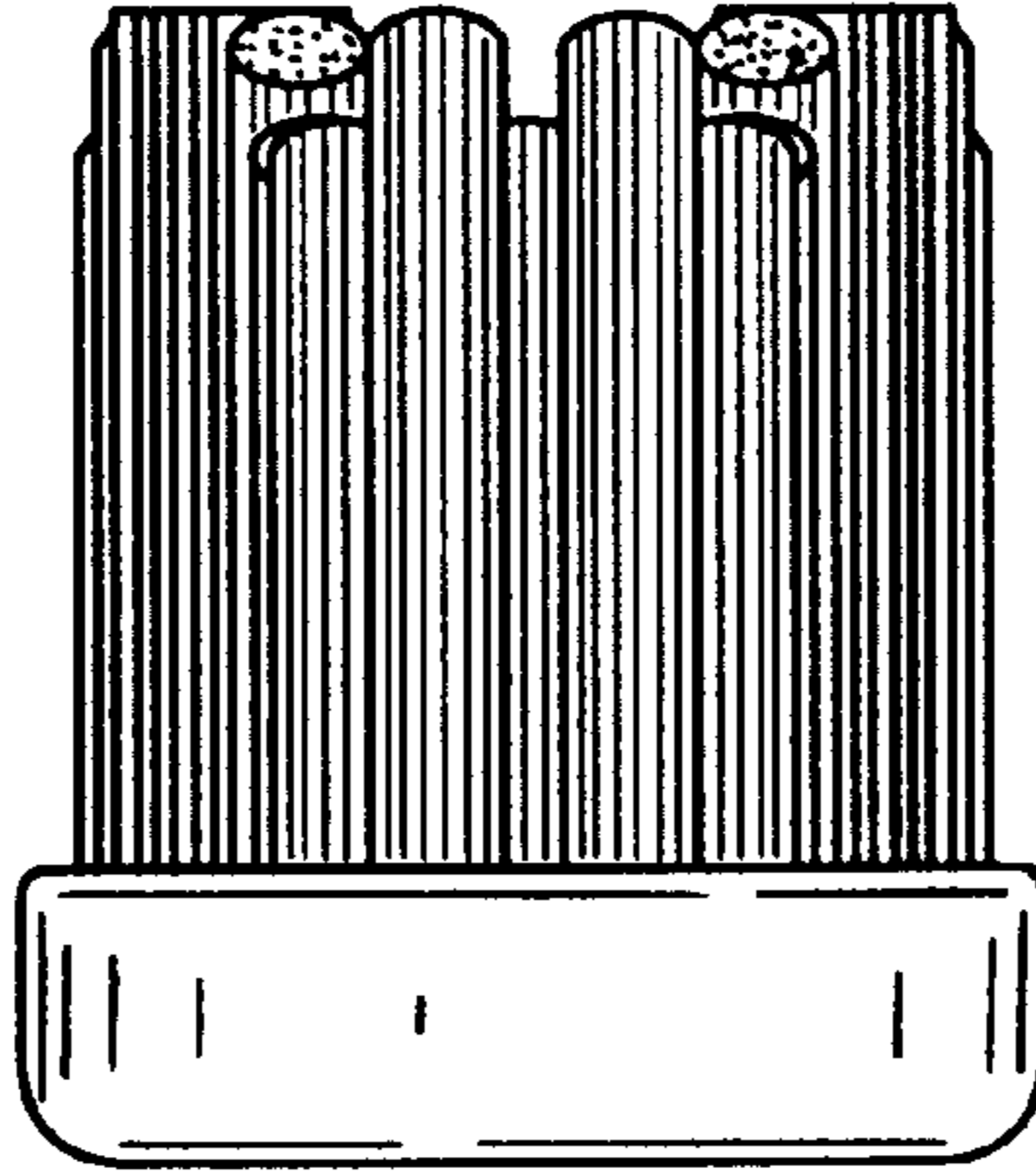


FIG. 5

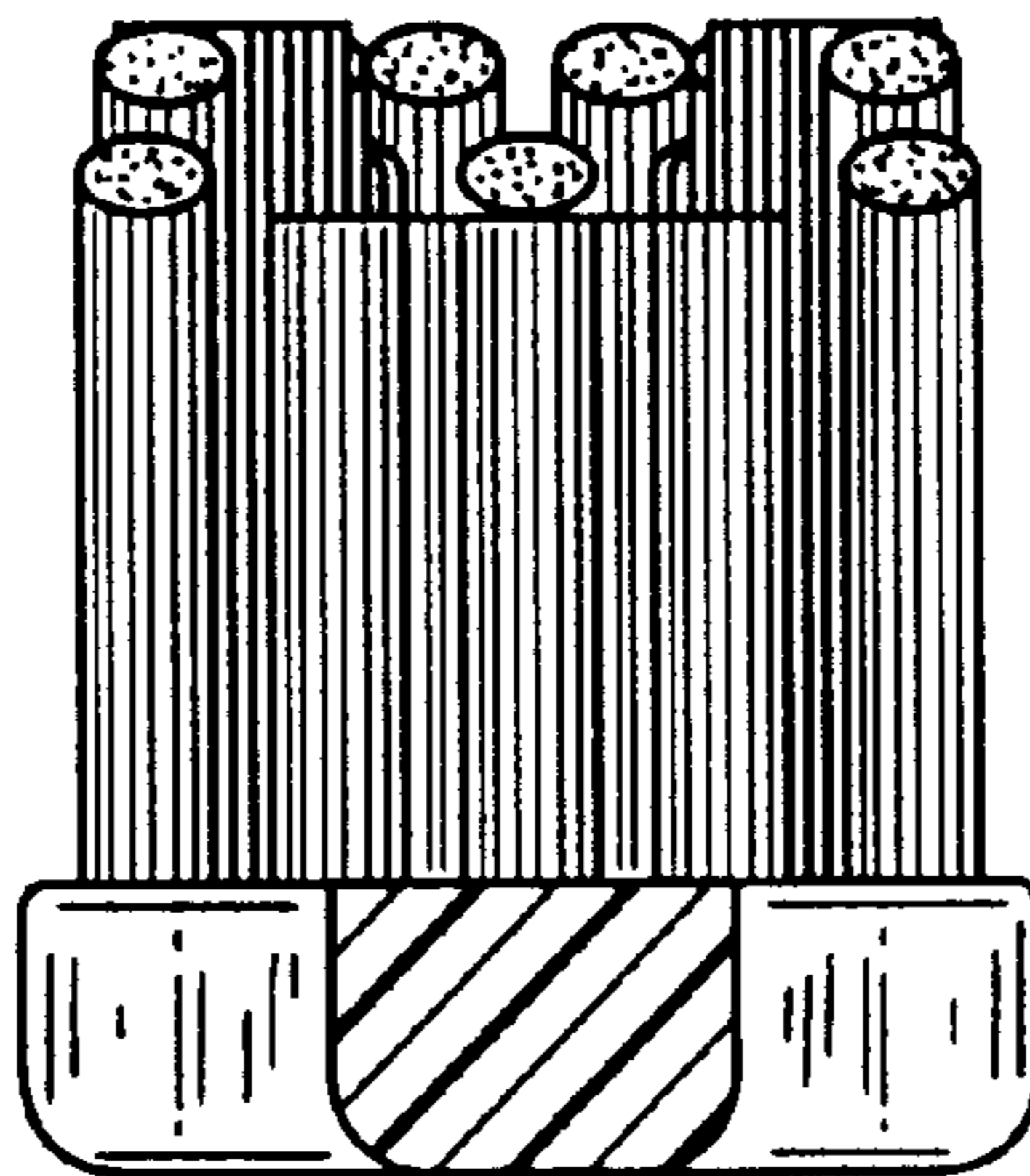


FIG. 6

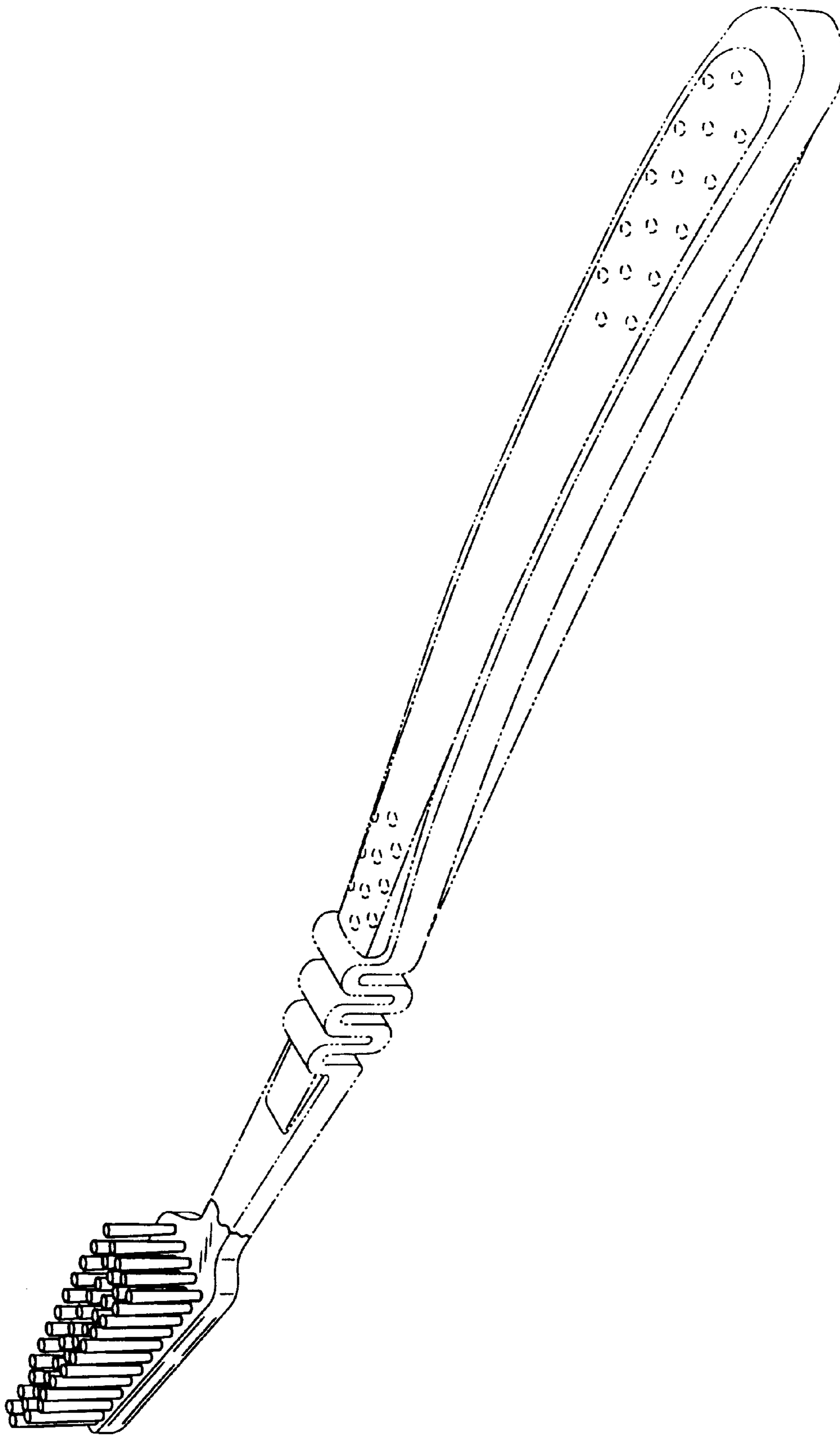


FIG. 7