



US00D414926S

United States Patent [19]

Reina

[11] **Patent Number: Des. 414,926**

[45] **Date of Patent: ** Oct. 12, 1999**

[54] **PROTECTIVE COVER FOR A PAGER**

[76] Inventor: **Stephen A Reina**, 3846 Los Coyotes
Diag., Long Beach, Calif. 90808

[**] Term: **14 Years**

[21] Appl. No.: **29/090,552**

[22] Filed: **Jul. 9, 1998**

[51] **LOC (6) Cl.** **03-01**

[52] **U.S. Cl.** **D3/218**

[58] **Field of Search** D3/218, 215, 219,
D3/226, 299; 224/240, 245, 901, 904, 236;
D14/138, 251, 253; 206/305, 320

[56] **References Cited**

U.S. PATENT DOCUMENTS

D. 373,241	9/1996	Chavez et al.	D3/218
D. 400,006	10/1998	Girvetz	D3/215
D. 407,215	3/1999	Garrett, III	D3/218
4,901,852	2/1990	King	206/320
4,951,817	8/1990	Barletta	206/305

Primary Examiner—Louis S. Zarfes
Assistant Examiner—Catherine R. Oliver

[57] **CLAIM**

The ornamental design for a protective cover for a pager, as shown.

DESCRIPTION

FIG. 1 is a front elevational view of the protective cover for a pager of the present invention;

FIG. 2 is a rear elevational view of the protective cover for a pager of FIG. 1;

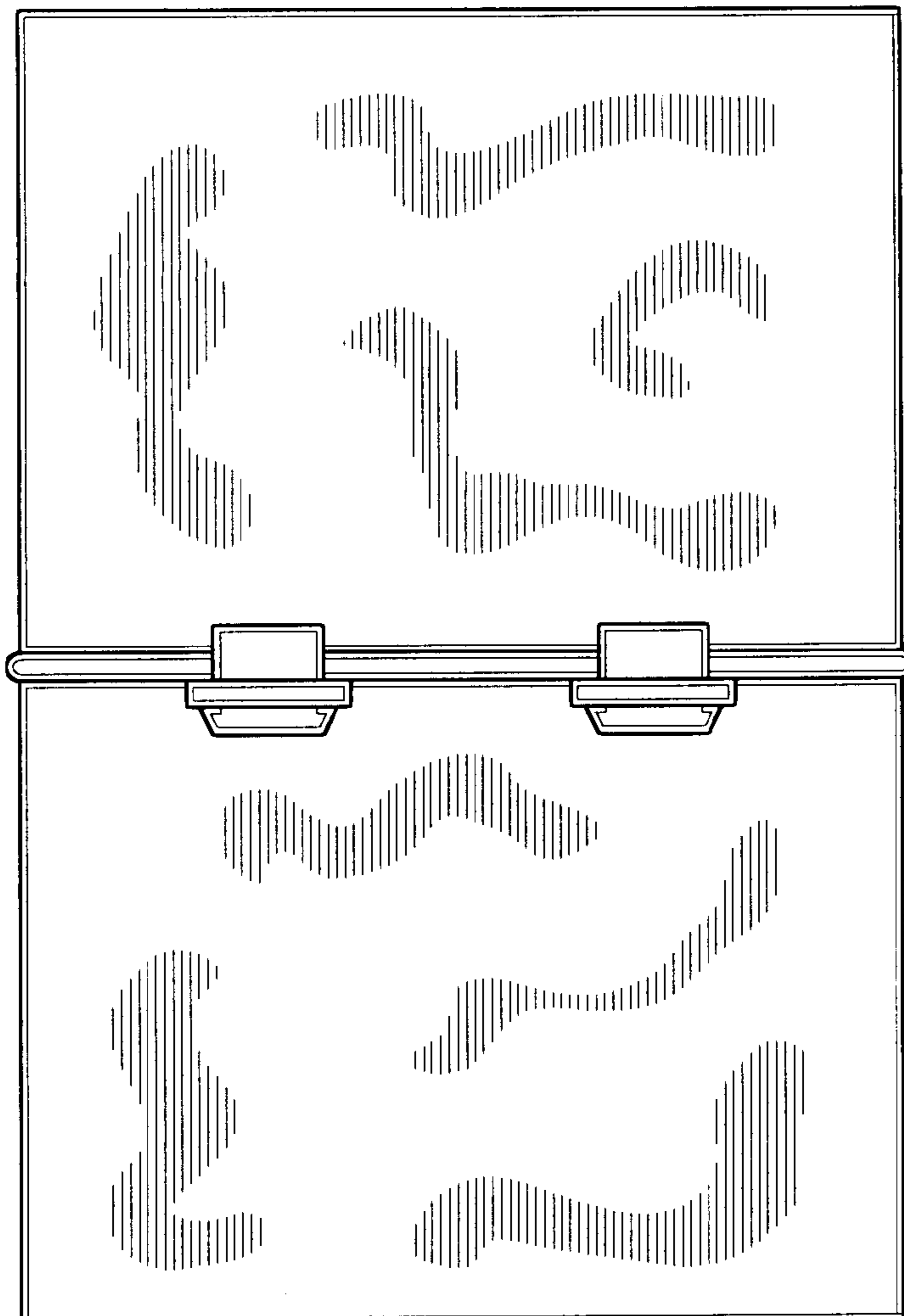
FIG. 3 is a left side elevational view of the protective cover for a pager of FIG. 1;

FIG. 4 is a right side elevational view of the protective cover for a pager of FIG. 1;

FIG. 5 is a top plan view of the protective cover for a pager of FIG. 1; and,

FIG. 6 is a bottom plan view of the protective cover for a pager of FIG. 1.

1 Claim, 3 Drawing Sheets



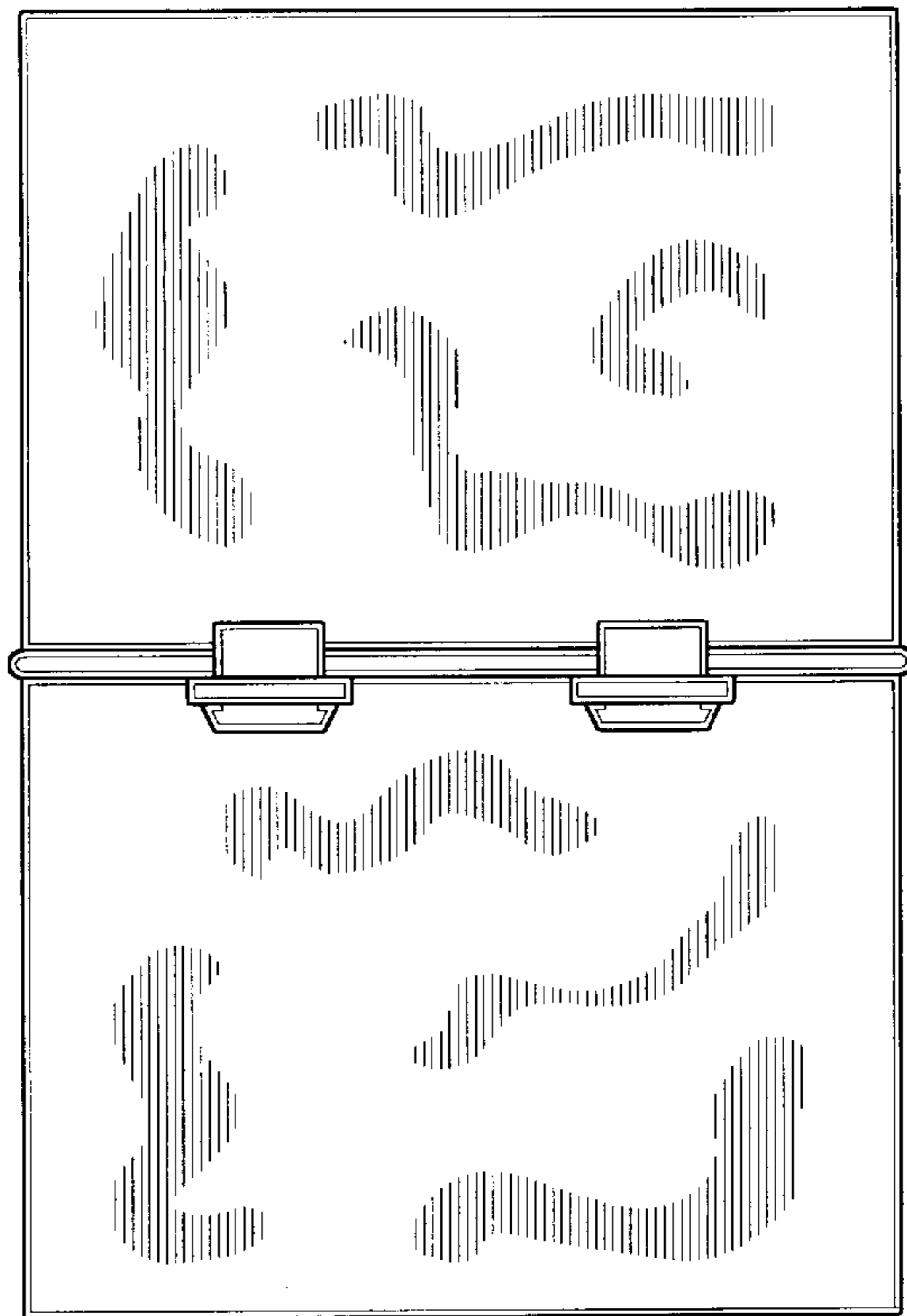


Fig. 1

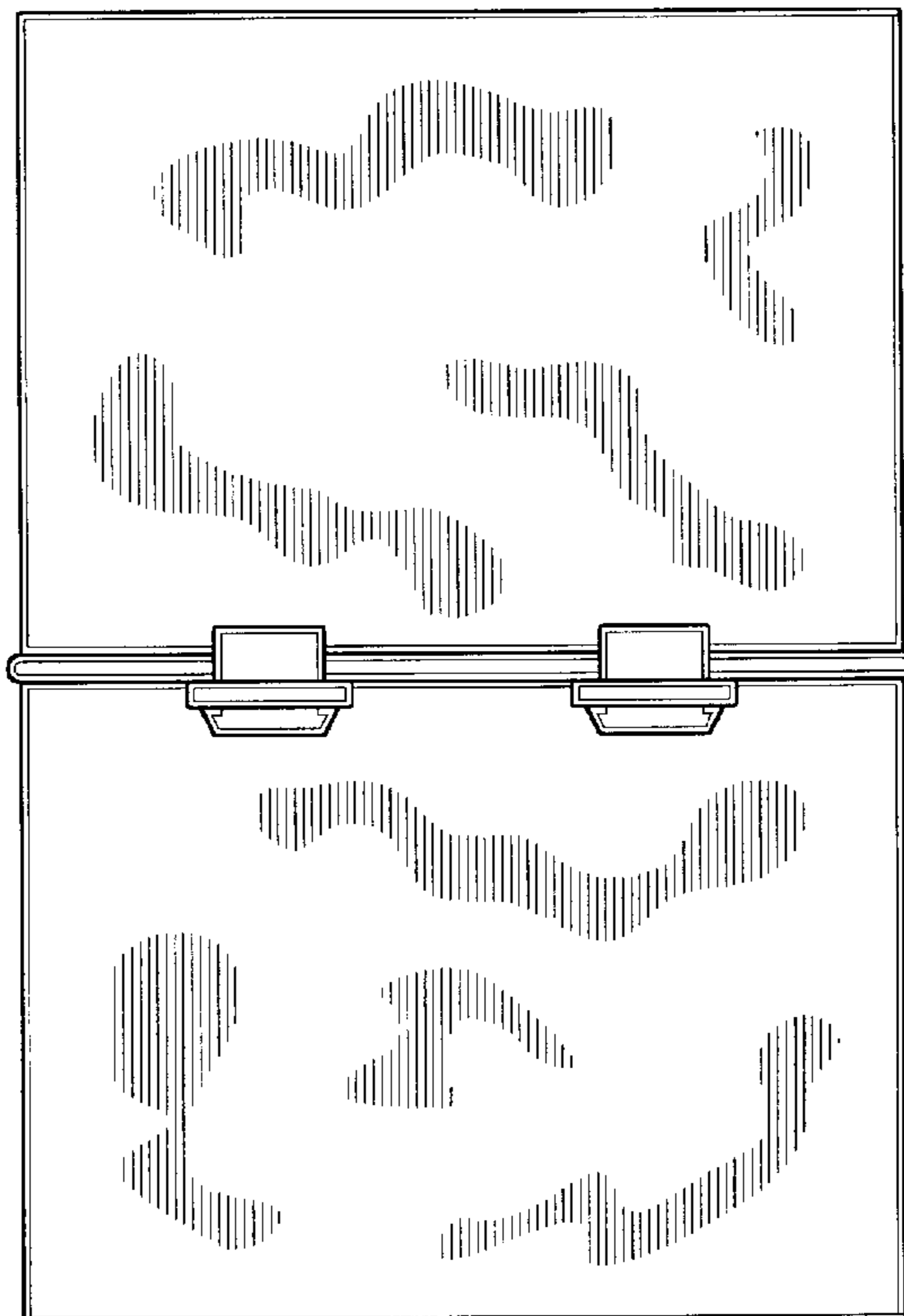


Fig. 2

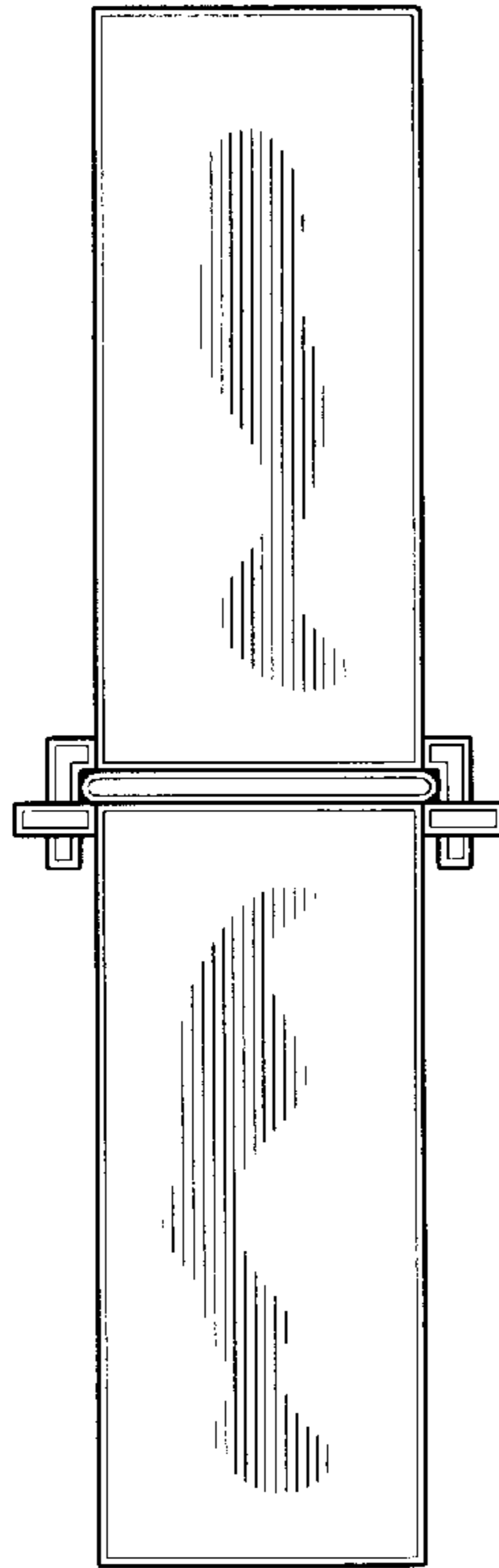


Fig. 3

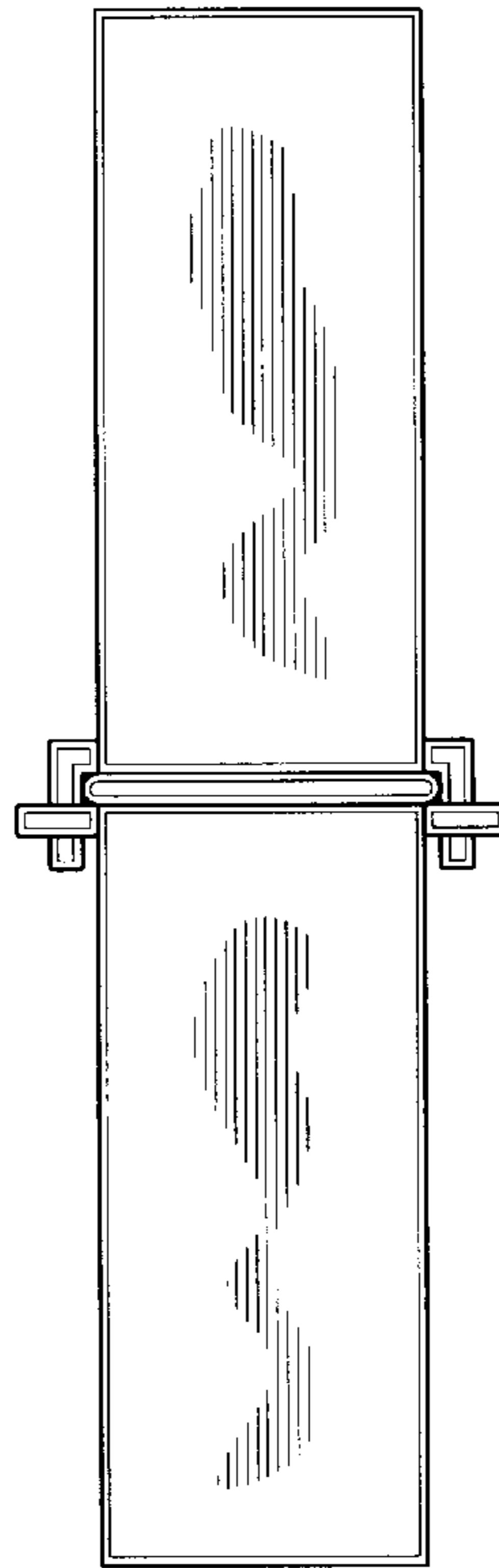


Fig. 4

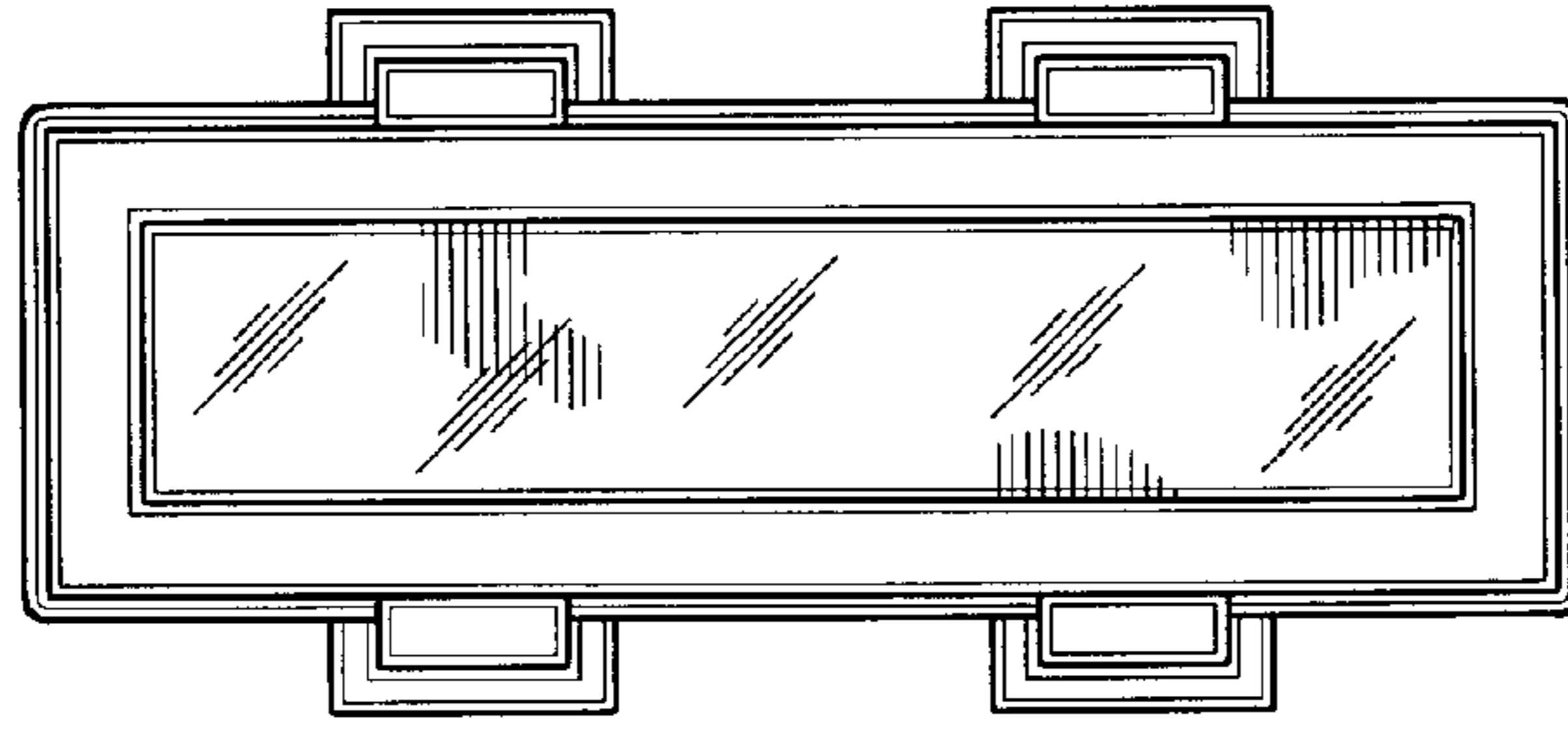


Fig. 5

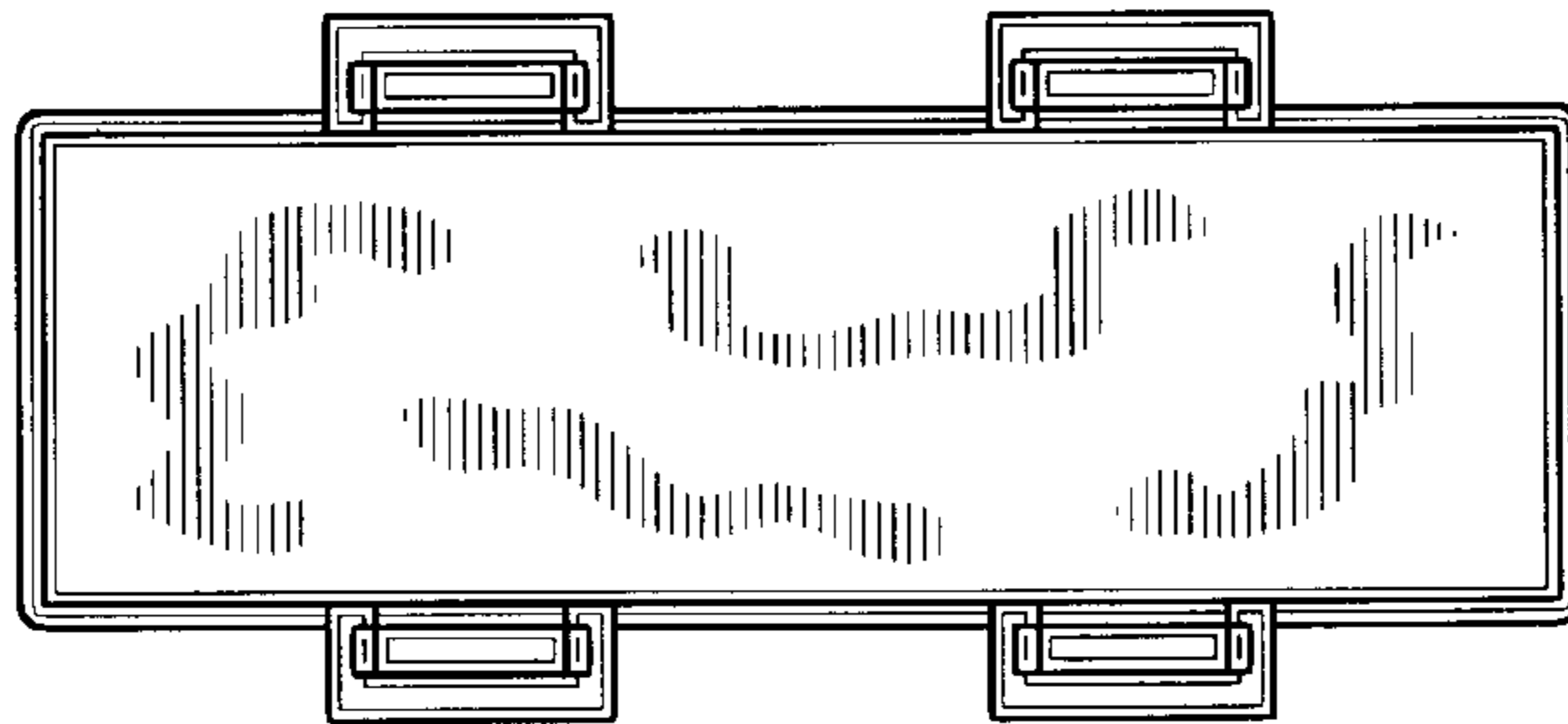


Fig. 6