



US00D414925S

United States Patent [19] Holland

[11] **Patent Number: Des. 414,925**

[45] **Date of Patent: ** Oct. 12, 1999**

[54] **COMBINED TELEPHONE AND PAGER CARRIER**

[75] Inventor: **Joe S. Holland**, Encino, Calif.

[73] Assignee: **Quaker State Investment Corporation**, Irving, Tex.

[**] Term: **14 Years**

[21] Appl. No.: **29/089,768**

[22] Filed: **Jun. 23, 1998**

[51] **LOC (6) Cl. 03-01**

[52] **U.S. Cl. D3/218**

[58] **Field of Search** D3/218, 219, 215;
224/236, 240, 901, 904, 680, 683; D14/138,
250, 251, 253; D27/186, 187

[56] **References Cited**

U.S. PATENT DOCUMENTS

184,822	11/1876	Bergman et al. .	
D. 297,188	8/1988	Powell .	
D. 322,719	12/1991	Jayez .	
D. 329,542	9/1992	Jayez .	
D. 343,059	1/1994	Daniels et al.	D3/218
D. 355,275	2/1995	Focke	D27/186 X
D. 362,540	9/1995	McNamara et al.	D3/215
D. 362,541	9/1995	Elder et al.	D3/218

D. 366,758	2/1996	Weiler	D3/219
D. 368,800	4/1996	Shink .	
D. 374,768	10/1996	Lundie, Jr. .	
D. 374,980	10/1996	Moya et al. .	
2,138,978	12/1938	Meine .	
2,352,473	6/1944	Cortese .	
5,779,122	7/1998	Martinelli	224/240 X

Primary Examiner—Louis S. Zarfaz
Assistant Examiner—Cathering R. Oliver
Attorney, Agent, or Firm—Jenkins & Gilchrist, P. C.

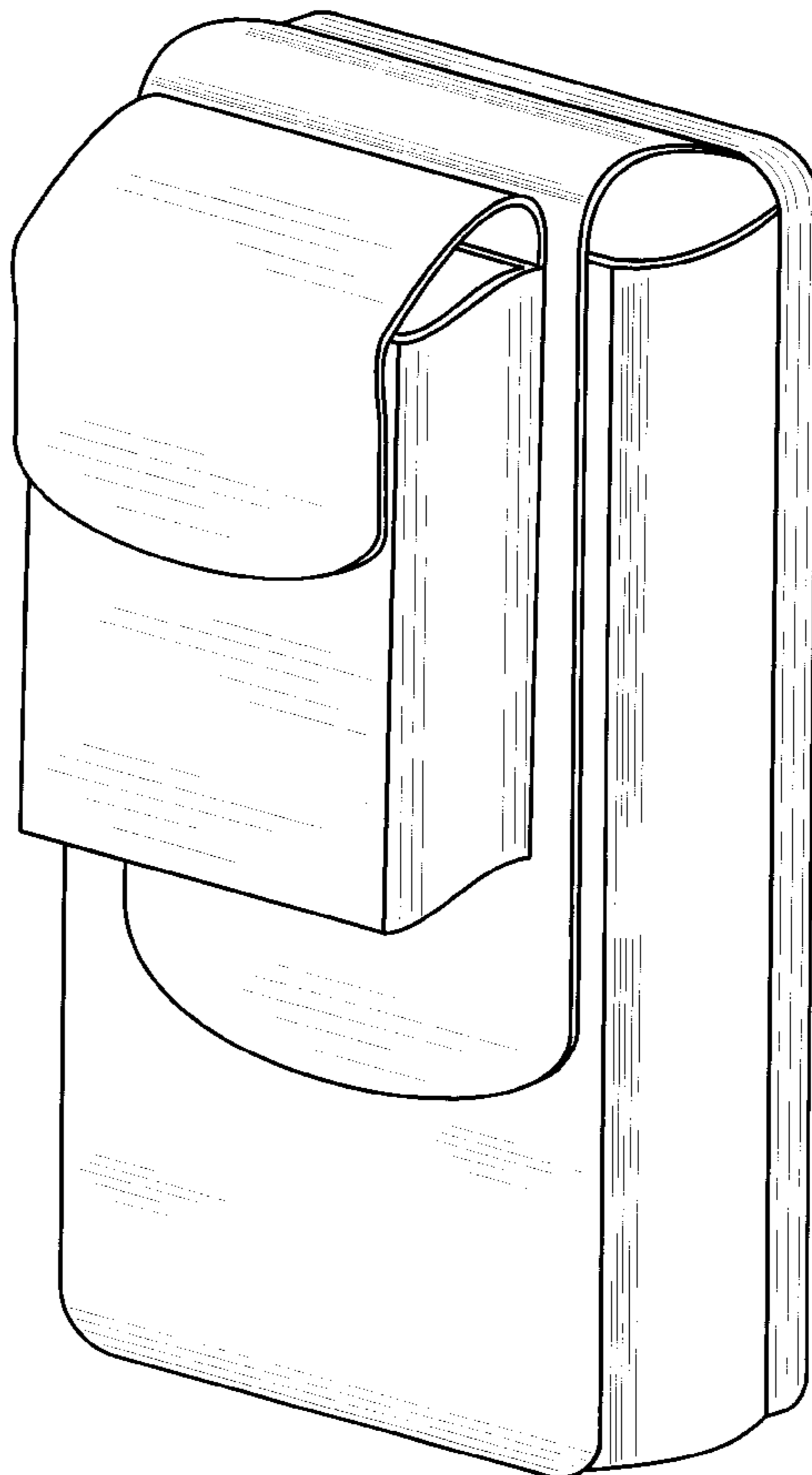
[57] **CLAIM**

The ornamental design for a combined telephone and pager carrier, as shown and described.

DESCRIPTION

FIG. 1 is a front perspective view of the combined telephone and pager carrier showing my new design;
FIG. 2 is a rear perspective view thereof;
FIG. 3 is a rear elevational view, with the telephone flap shown in an open position;
FIG. 4 is a front elevational view thereof;
FIG. 5 is a side elevational view;
FIG. 6 is a side elevational view, with the telephone flap shown in an open position;
FIG. 7 is a top plan view; and,
FIG. 8 is a bottom plan view.

1 Claim, 5 Drawing Sheets



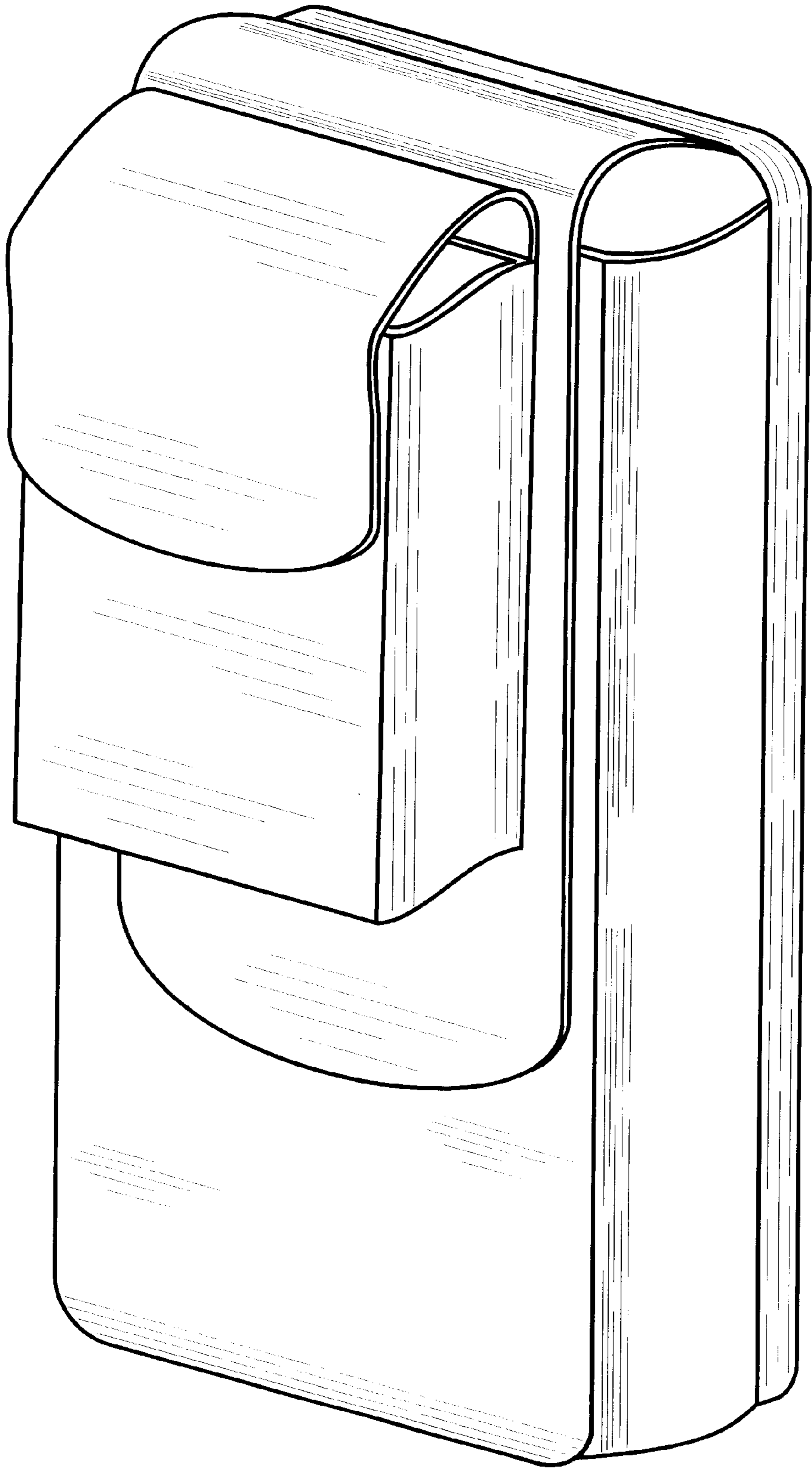


Figure 1

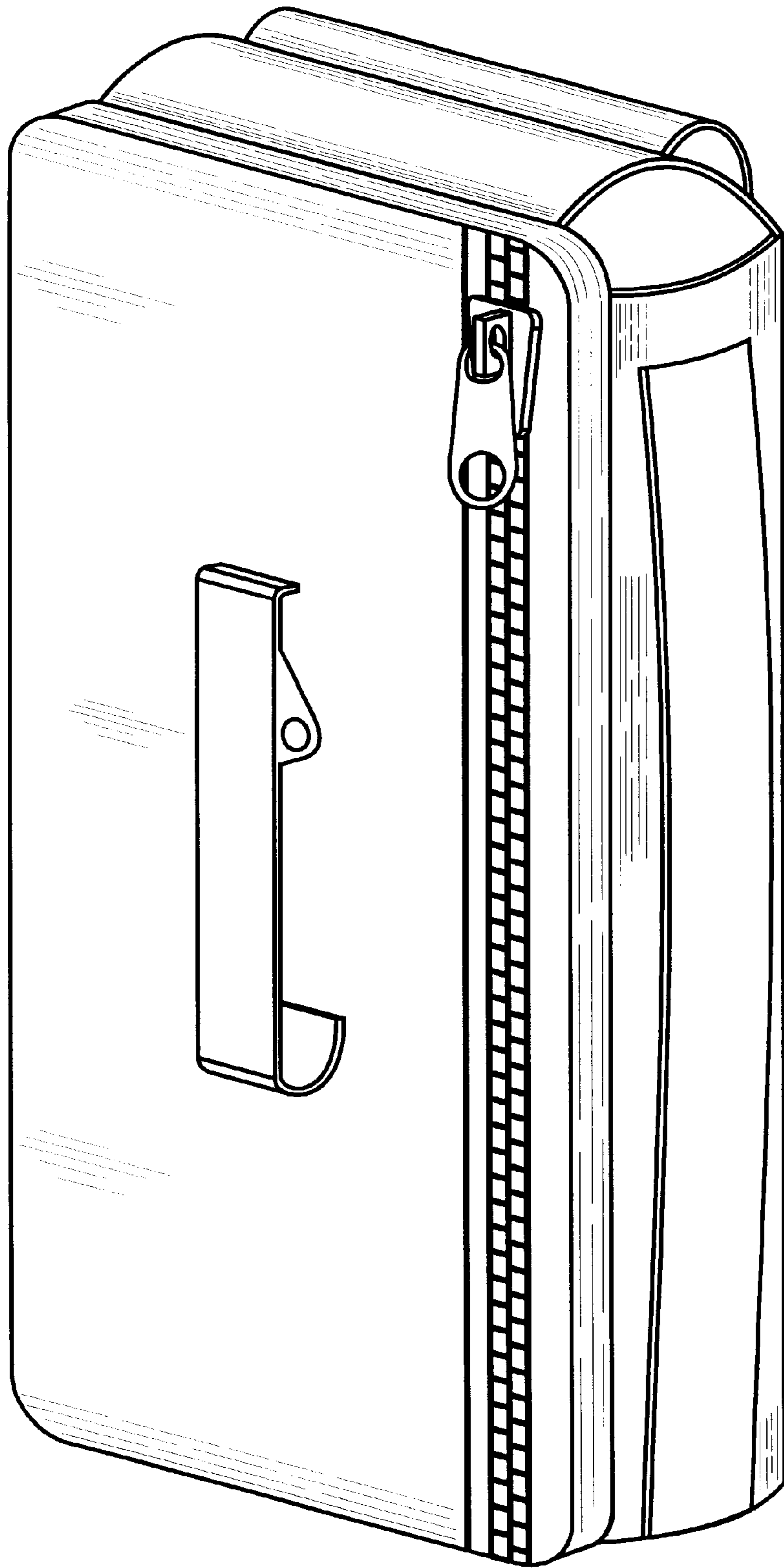


Figure 2

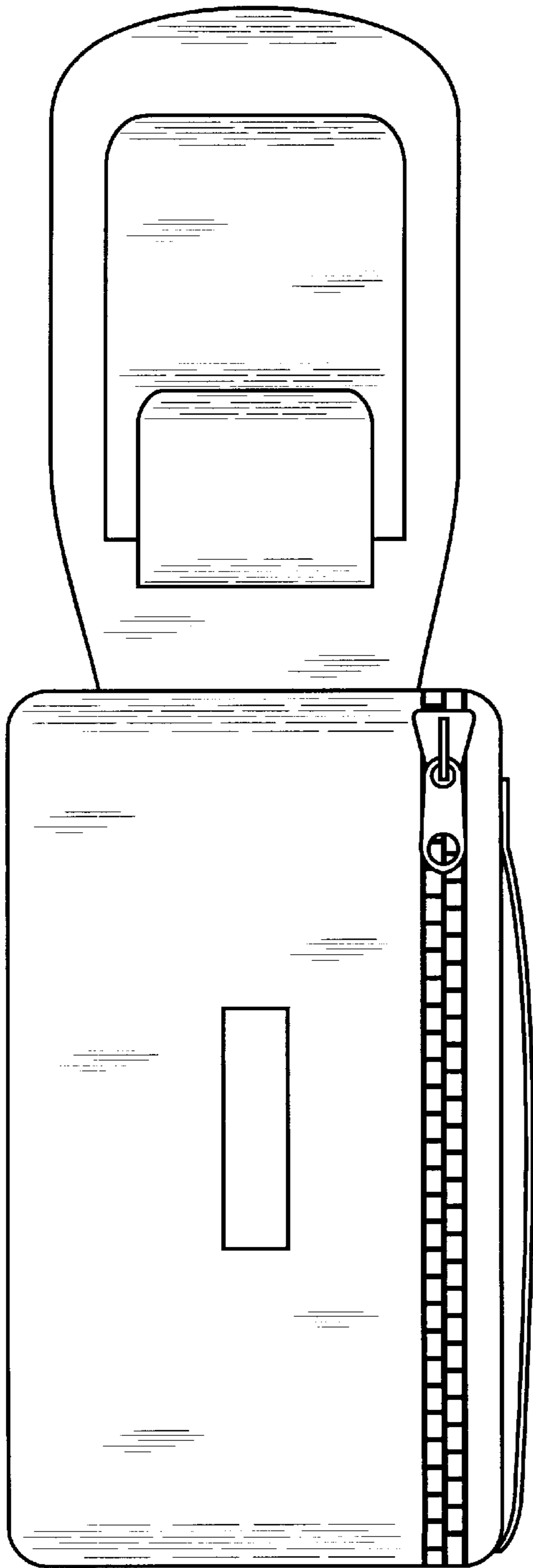


Figure 3

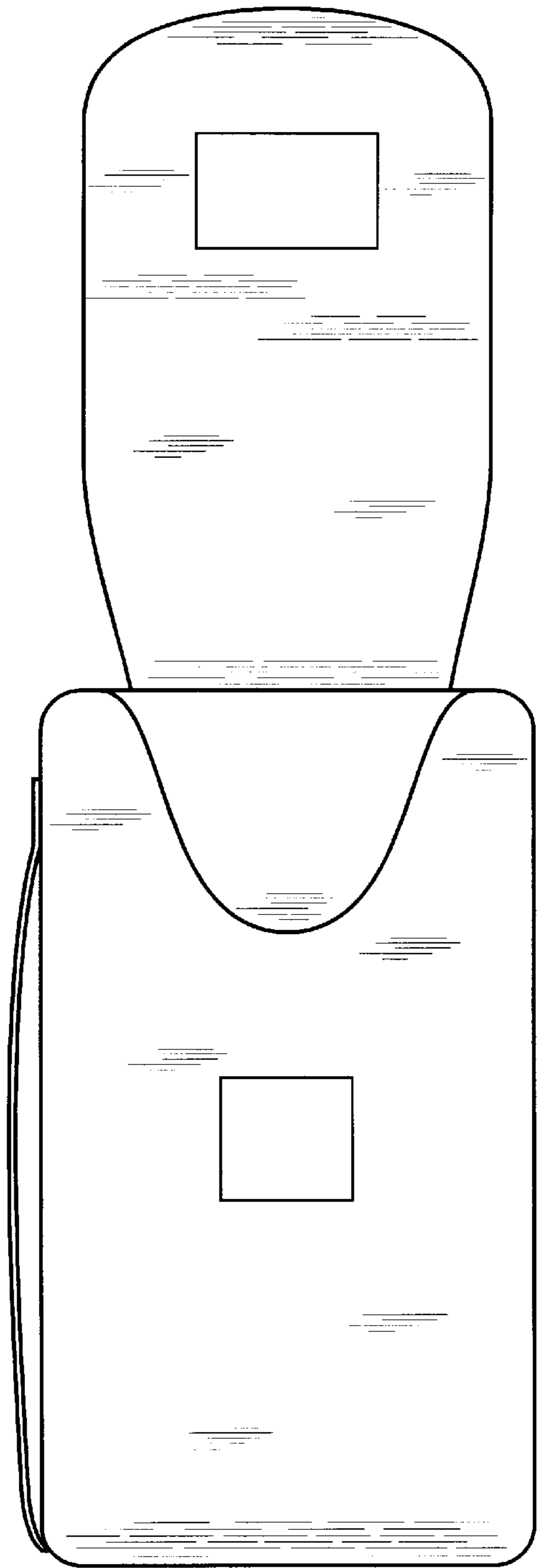


Figure 4

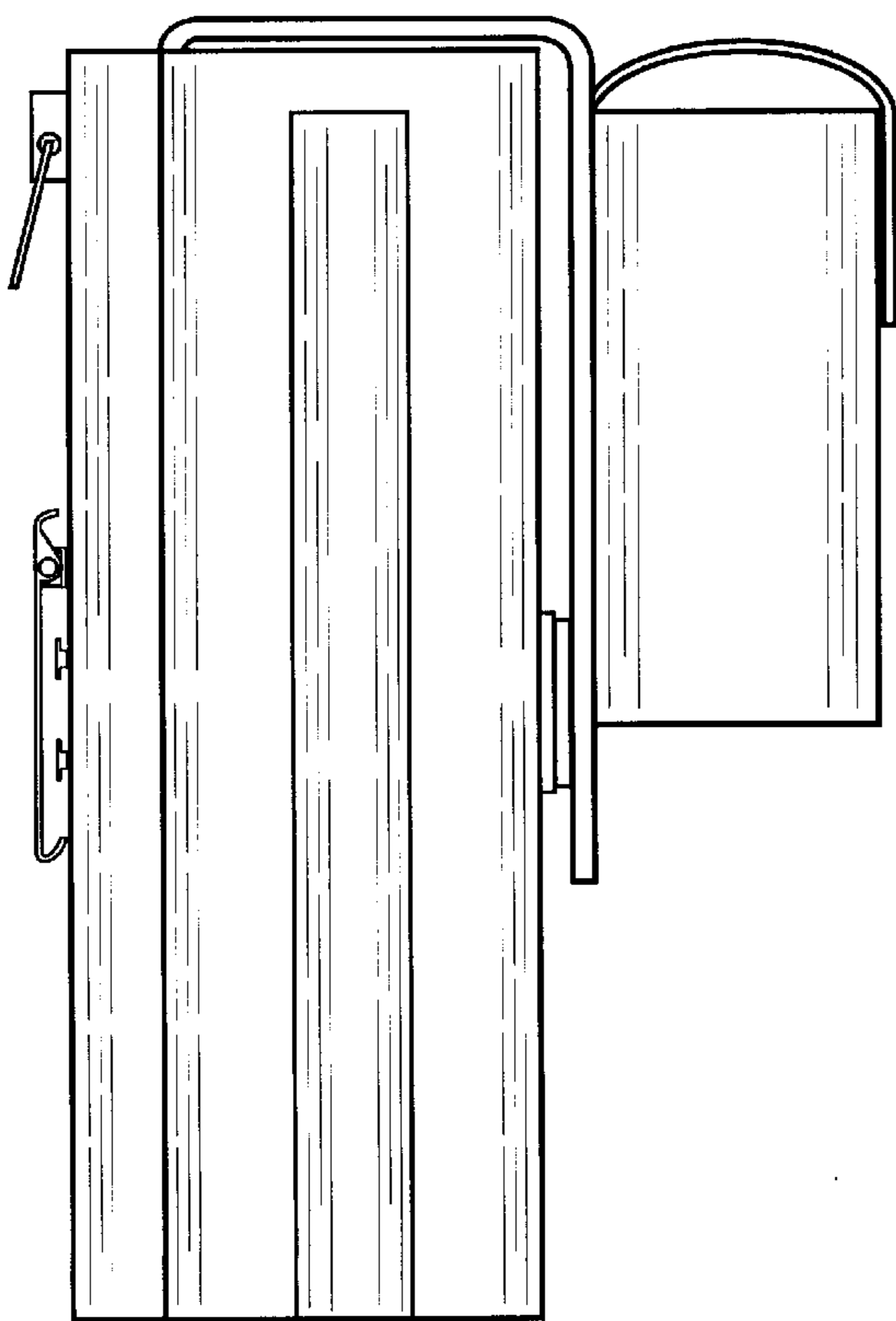


Figure 5

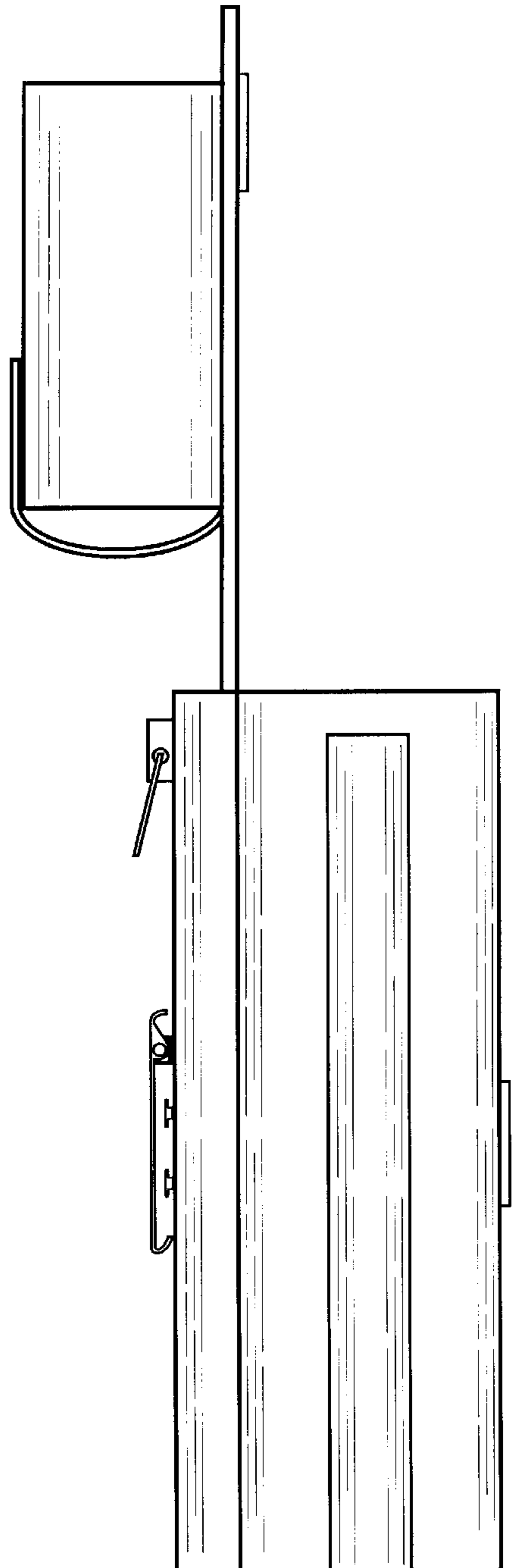


Figure 6

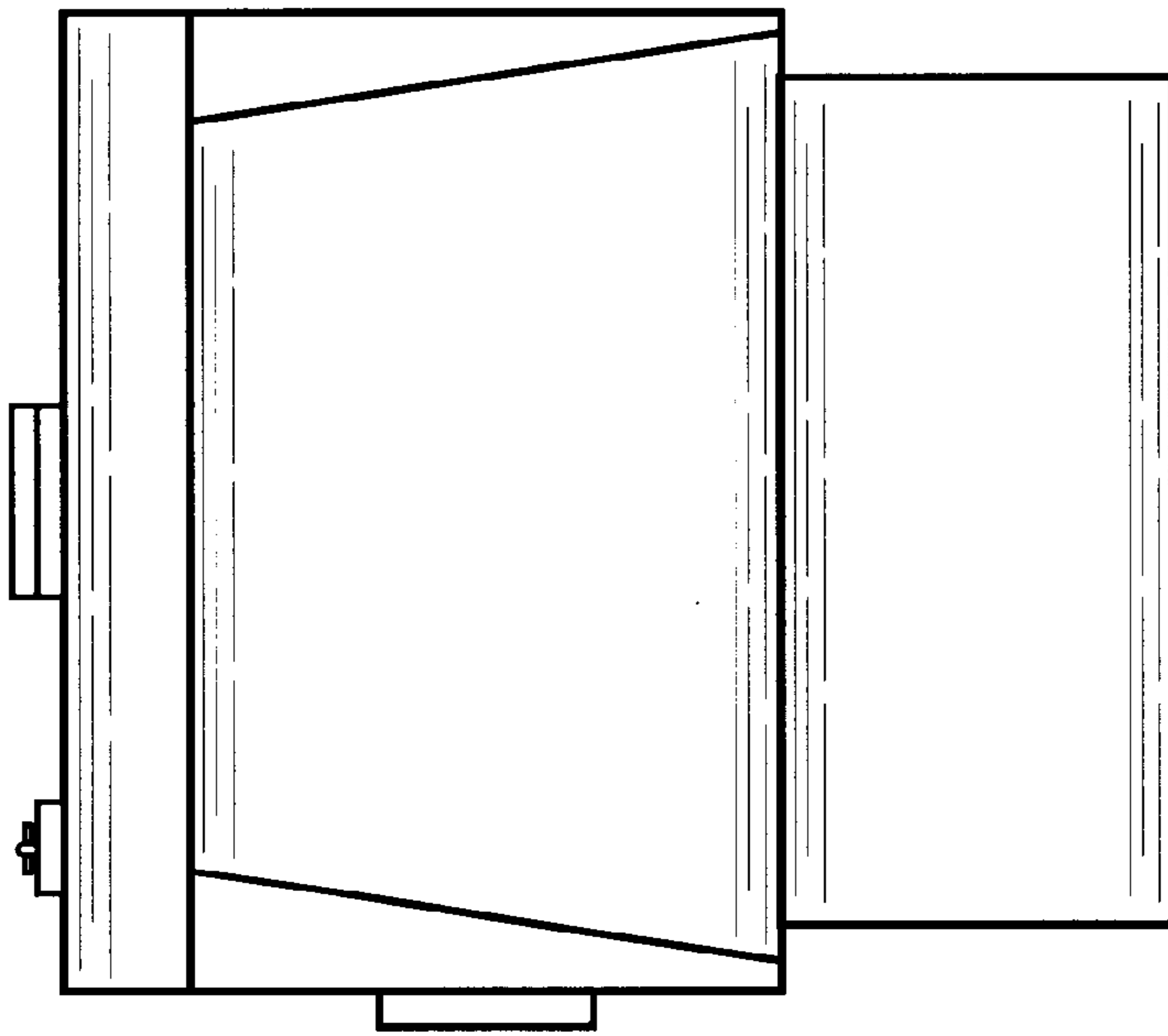


Figure 7

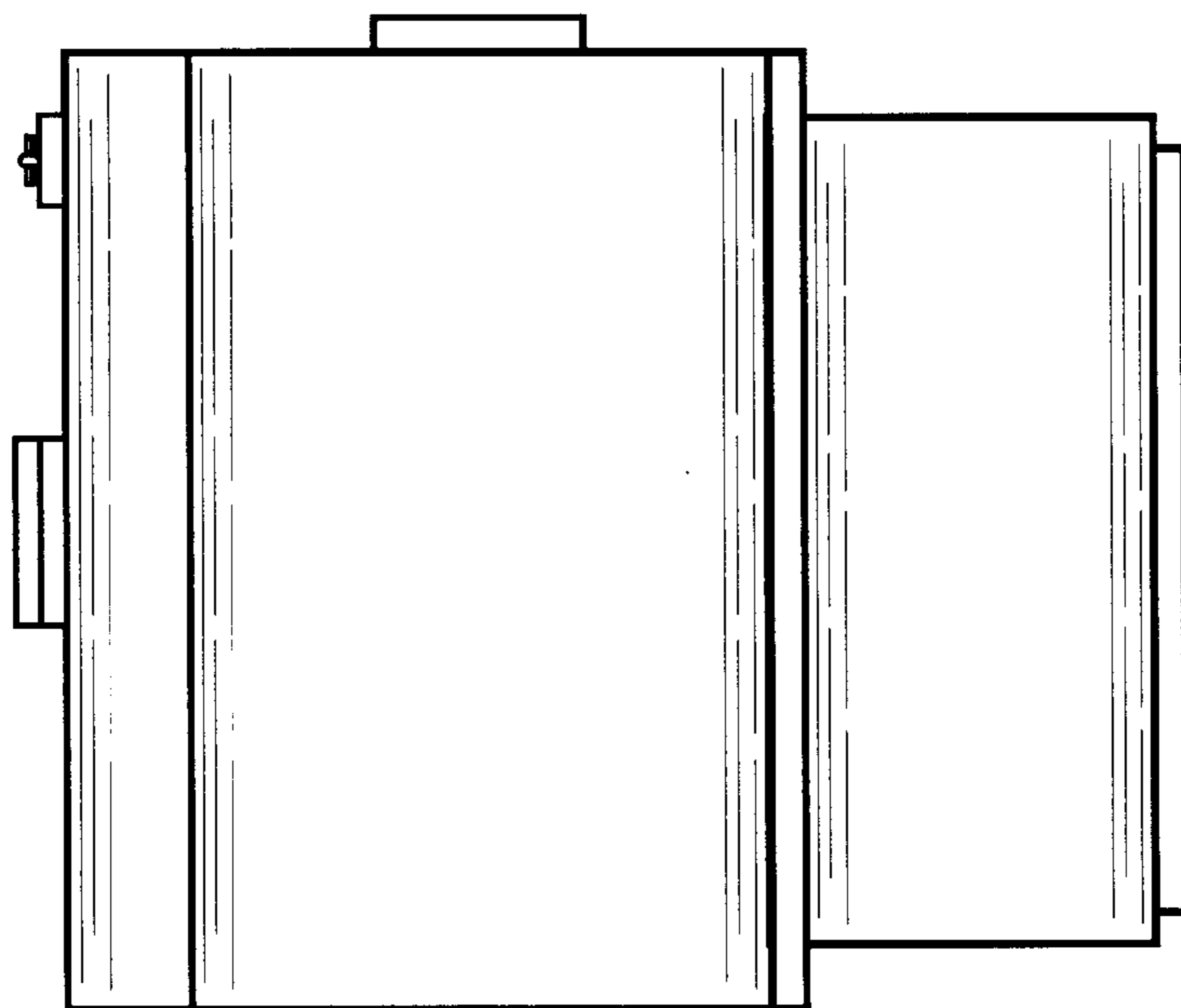


Figure 8