



US00D414909S

United States Patent [19] Tinz

[11] **Patent Number: Des. 414,909**

[45] **Date of Patent: ** Oct. 5, 1999**

[54] **GOLF CART**

[75] Inventor: **Bernhard H. Tinz**, Reutlingen, Germany

[73] Assignee: **Heinrich Kipp Werk Spanntechnik & Normelemente**, Sulz, Germany

[**] Term: **14 Years**

[21] Appl. No.: **29/072,599**

[22] Filed: **Jun. 20, 1997**

[30] **Foreign Application Priority Data**

Dec. 20, 1996 [DE] Germany M 96 10 926

[51] **LOC (6) Cl.** **12-02**

[52] **U.S. Cl.** **D34/15**

[58] **Field of Search** D34/12-27; 280/DIG. 5, 280/DIG. 6, 47.26, 646, 652

D. 335,567 5/1993 Young D34/15
D. 362,103 9/1995 Schnoll D34/15
5,427,403 6/1995 Hsiao 280/643

Primary Examiner—Kay H. Chin
Attorney, Agent, or Firm—Friedman Siegelbaum LLP

[57] **CLAIM**

The ornamental design for a golf cart, as shown and described.

DESCRIPTION

FIG. 1 is a front view of a golf cart showing my new design; FIG. 2 is a rear view of the golf cart shown in FIG. 1, in an extended condition and ready to be pulled;

FIG. 3 is a side view of the golf cart shown in FIG. 1, but in a retracted condition, the other side view being identical thereof; and,

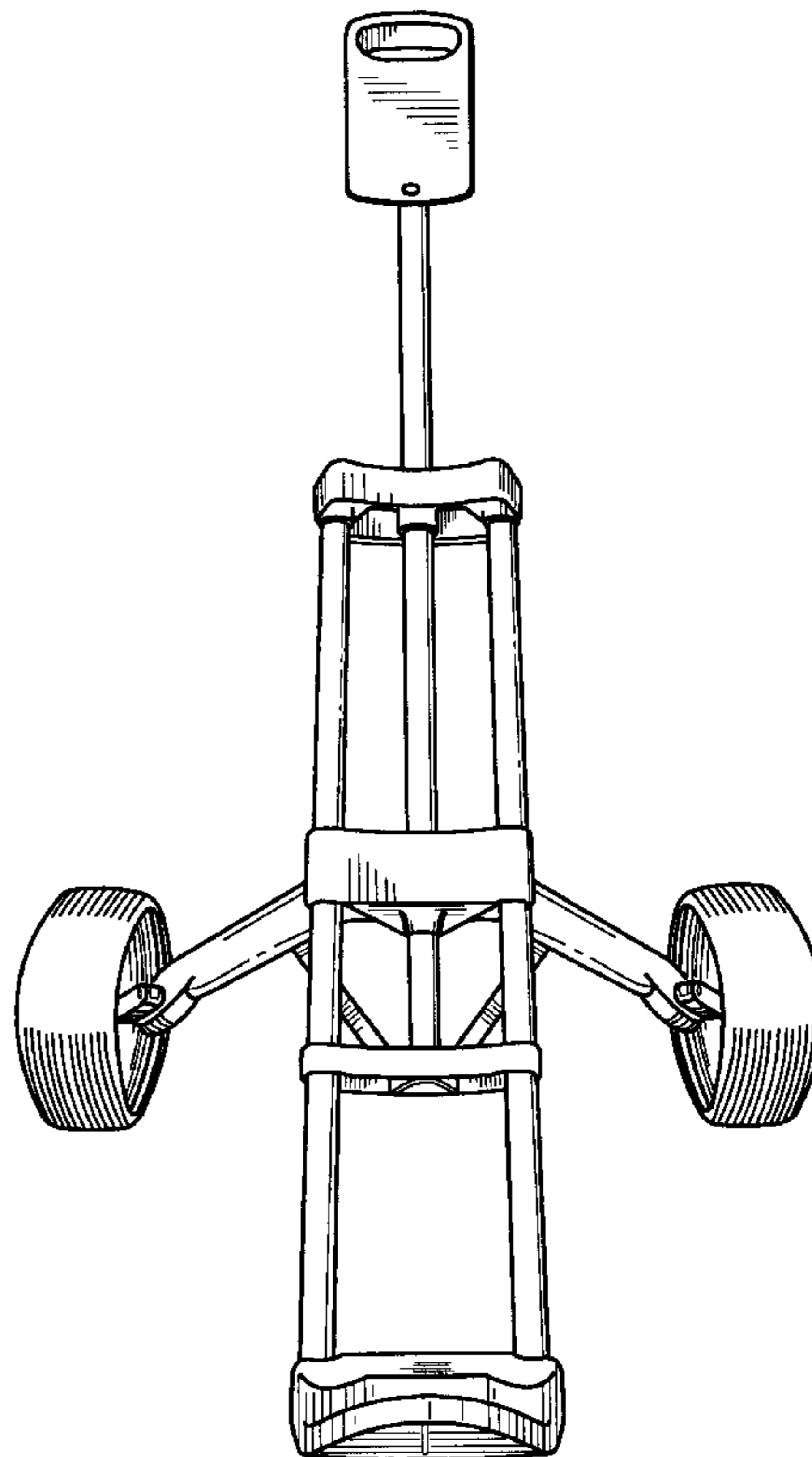
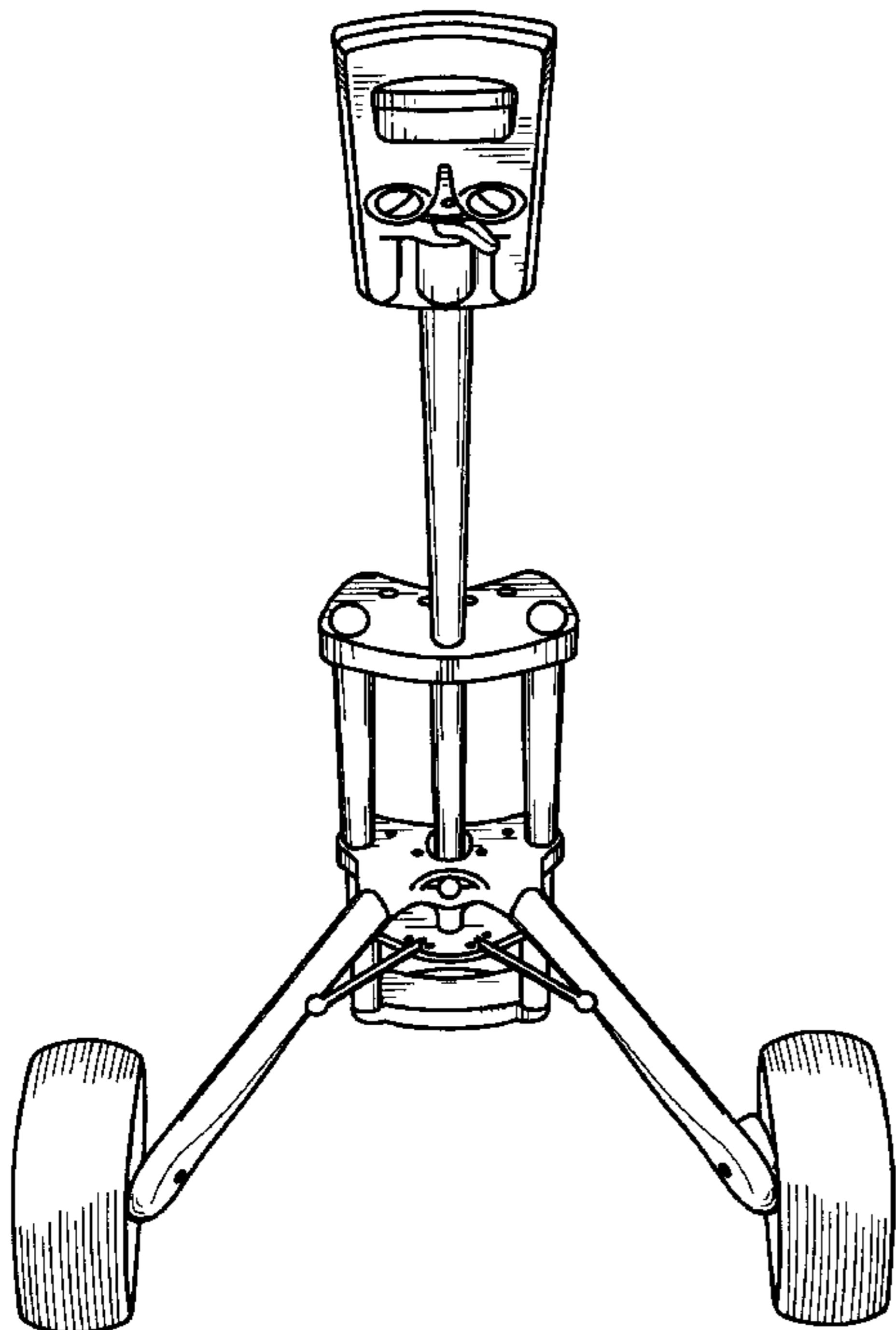
FIG. 4 is a top view of golf cart.

[56] **References Cited**

U.S. PATENT DOCUMENTS

D. 319,327 8/1991 Sanders et al. D34/15

1 Claim, 3 Drawing Sheets



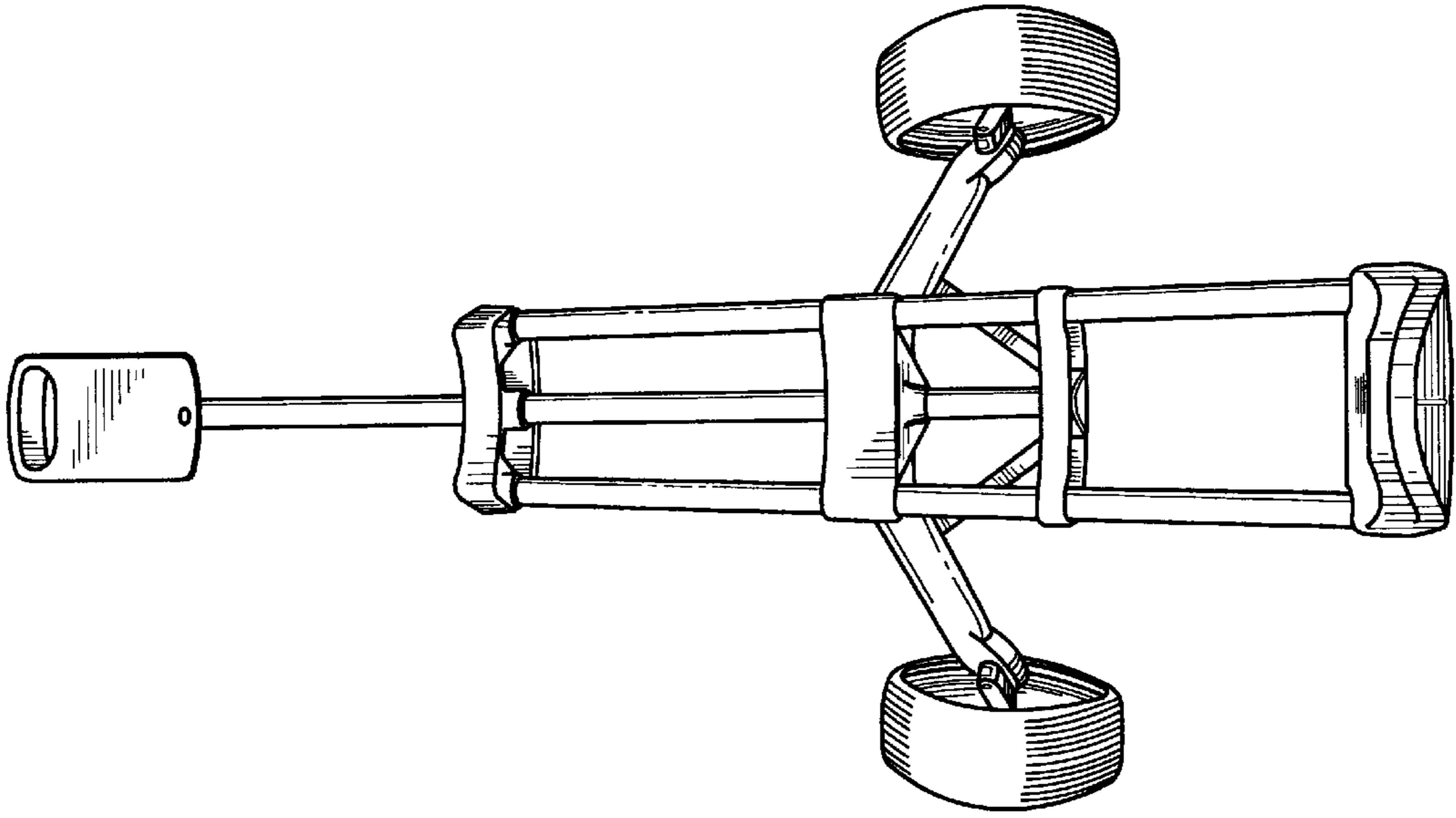


FIG. 2

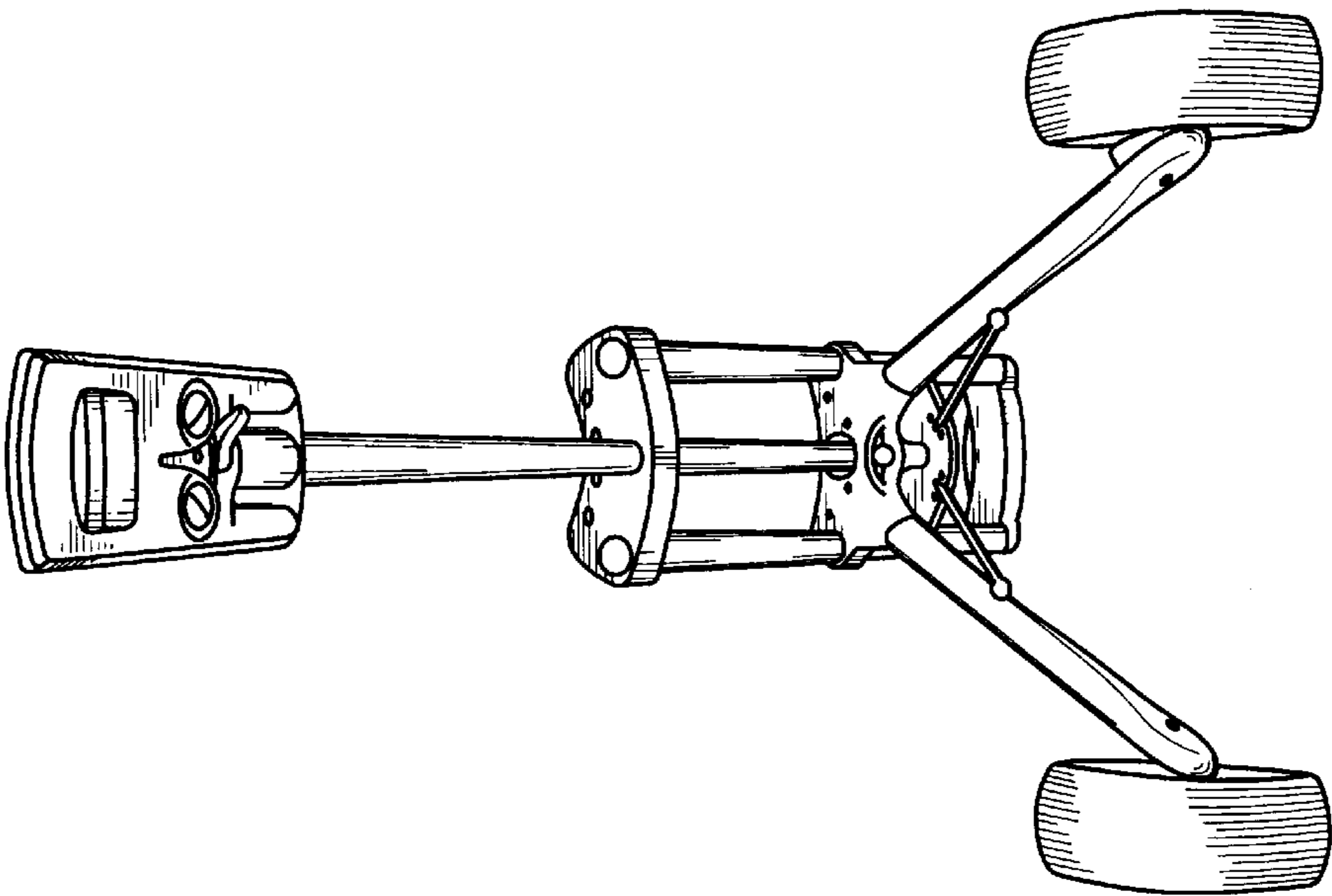


FIG. 1

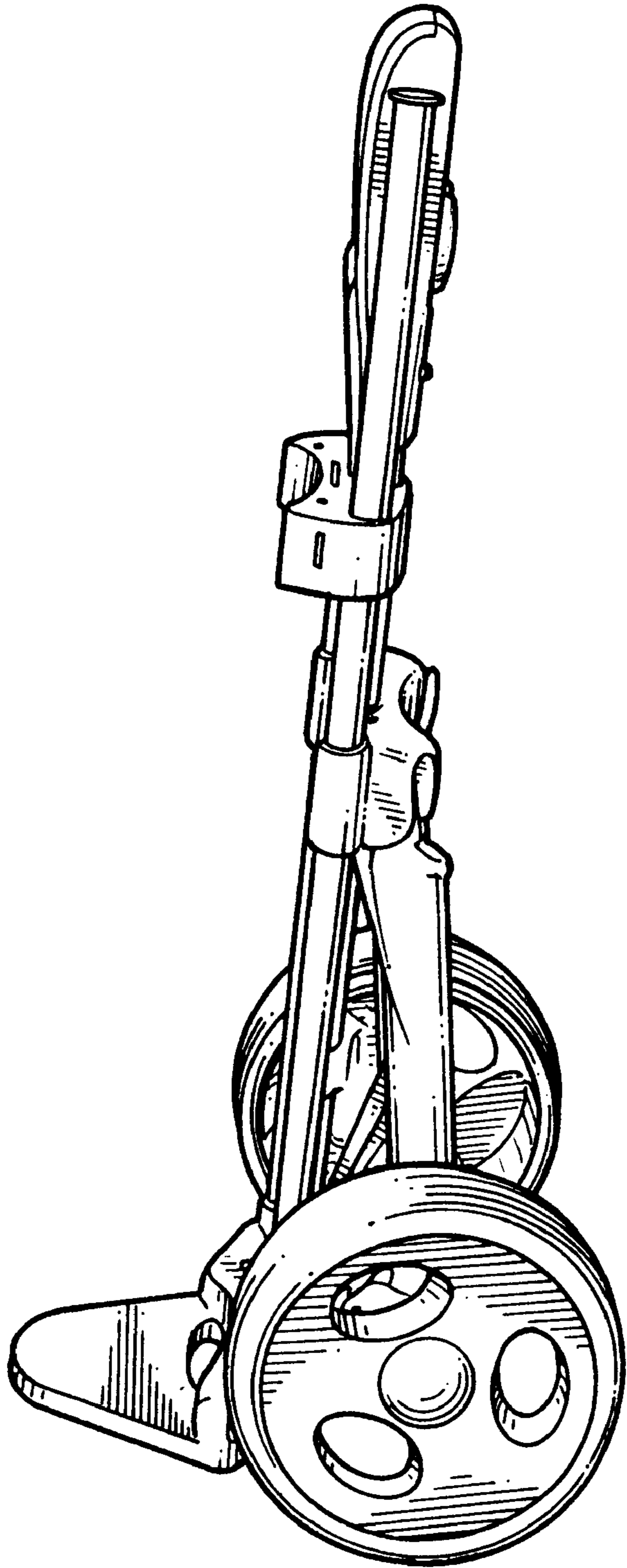


FIG. 3

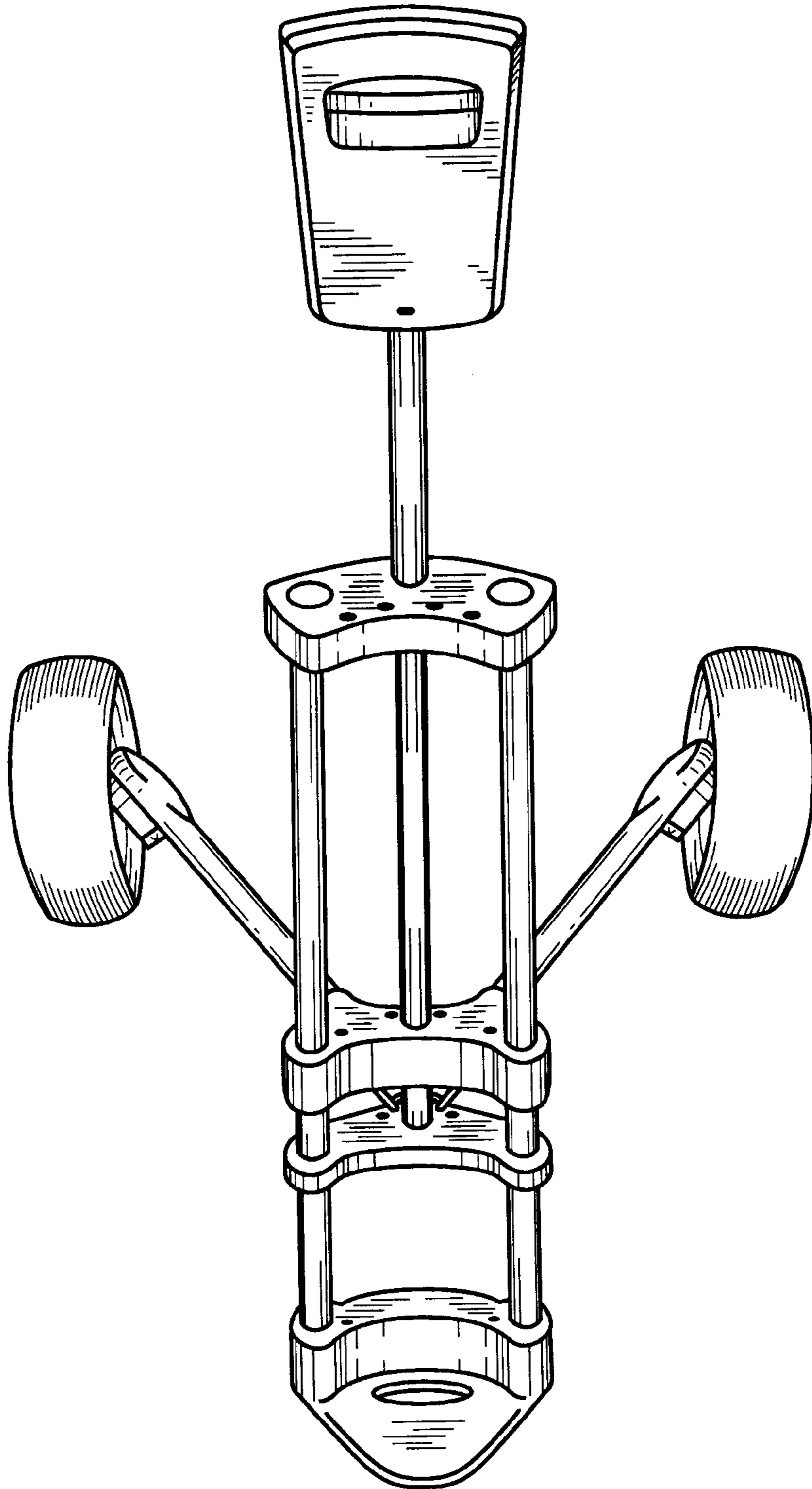


FIG. 4