



US00D414908S

# United States Patent [19] Mockett

[11] **Patent Number: Des. 414,908**

[45] **Date of Patent: \*\* Oct. 5, 1999**

[54] **BOOK RETURN**

5,082,171 1/1992 Homel ..... 232/43.2  
5,667,136 9/1997 Chen ..... 232/43.2

[76] Inventor: **Douglas A. J. Mockett**, 3504 Via Campensina, Rancho Palos Verdes, Calif. 90274

*Primary Examiner*—Susan J. Lucas  
*Assistant Examiner*—Cynthia E. Ramirez  
*Attorney, Agent, or Firm*—Sanford Astor

[\*\*] Term: **14 Years**

### [57] CLAIM

[21] Appl. No.: **29/093,024**

The ornamental design for a book return, as shown and described.

[22] Filed: **Sep. 1, 1998**

### DESCRIPTION

[51] **LOC (6) Cl.** ..... **09-09**

[52] **U.S. Cl.** ..... **D34/10; D34/6; D34/11**

[58] **Field of Search** ..... D34/1, 11, 10, D34/6, 7, 9.1; 220/908, 909, 254, 287, 495.08; 232/43.2, 43.1, 44; 248/97-100

FIG. 1 is a perspective view of the book return showing my new design;

FIG. 2 is a front elevational view thereof;

FIG. 3 is a side elevational view thereof, both sides being the same;

FIG. 4 is a back view thereof;

FIG. 5 is a top plan view thereof; and,

FIG. 6 is a bottom view thereof.

The broken line showing in FIG. 1 is for illustrative purposes only and forms no part of the claimed design.

### [56] References Cited

#### U.S. PATENT DOCUMENTS

2,934,261	4/1960	Eaton	.....	232/43.2
2,990,113	6/1961	Fosbrink et al.	.....	232/43.2
3,241,751	3/1966	Baran	.....	232/43.1
4,176,610	12/1979	Markham et al.	.....	232/44 X
4,318,577	3/1982	Vona	.....	232/43.1

**1 Claim, 6 Drawing Sheets**

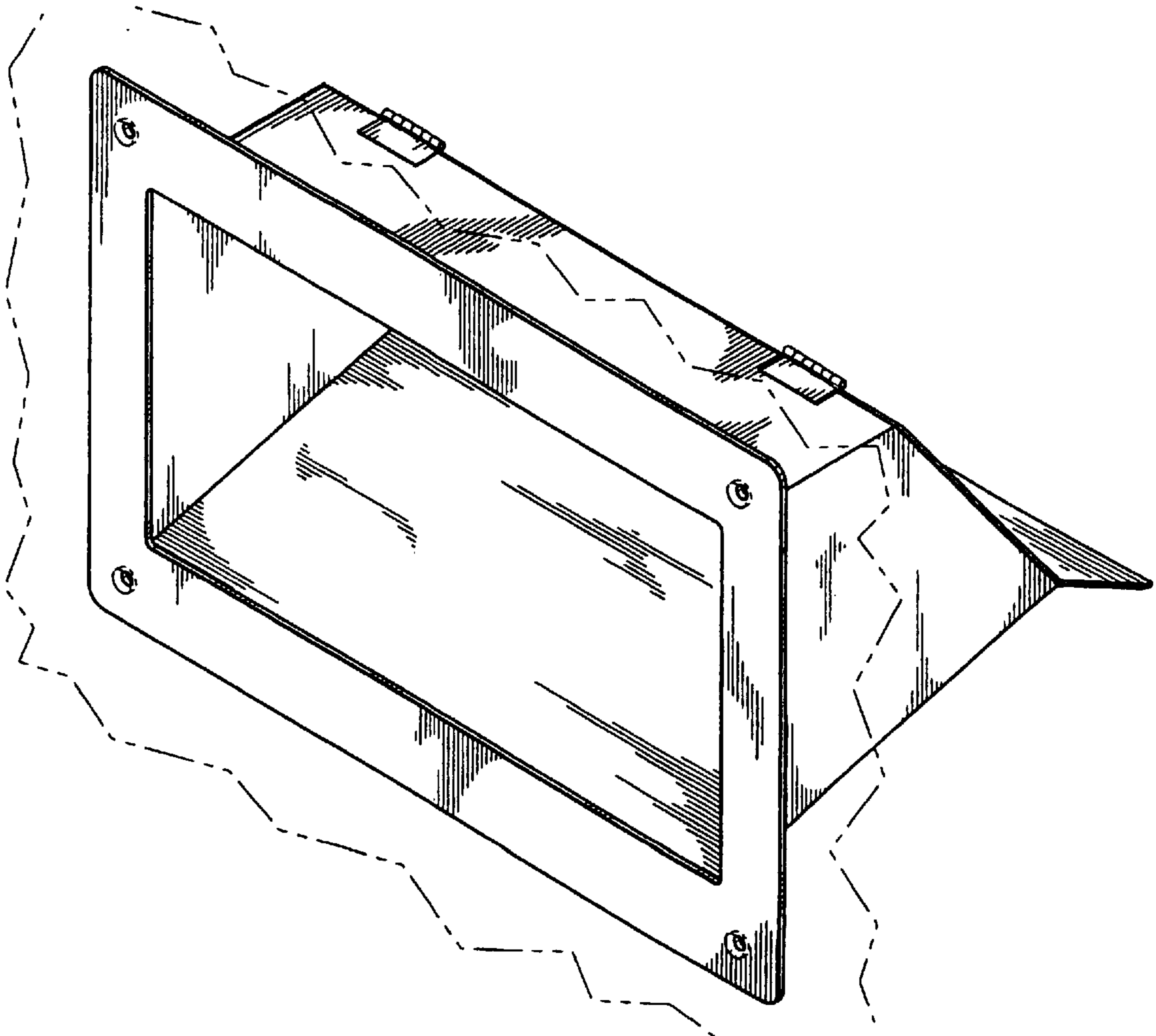


FIG. 1

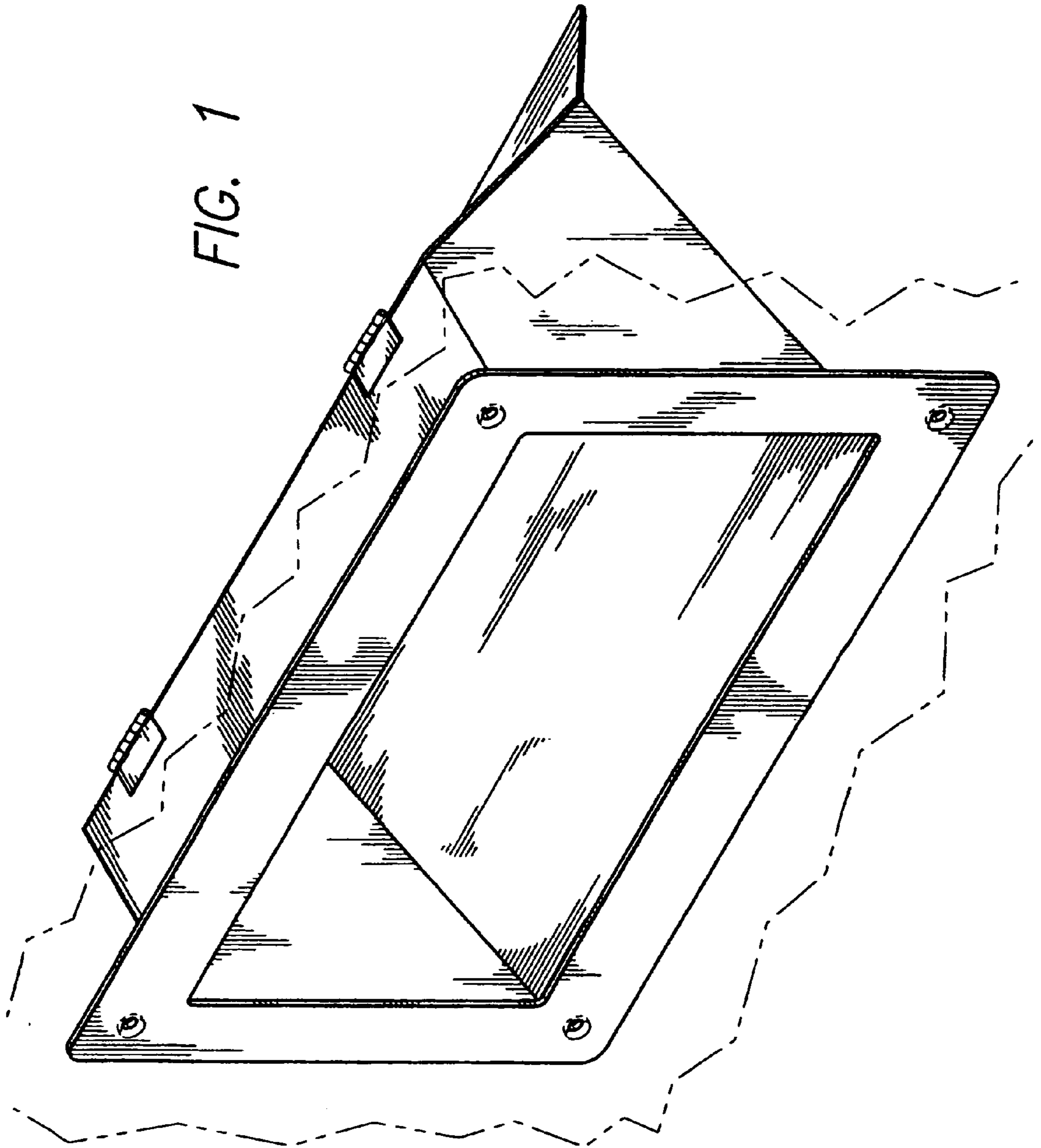
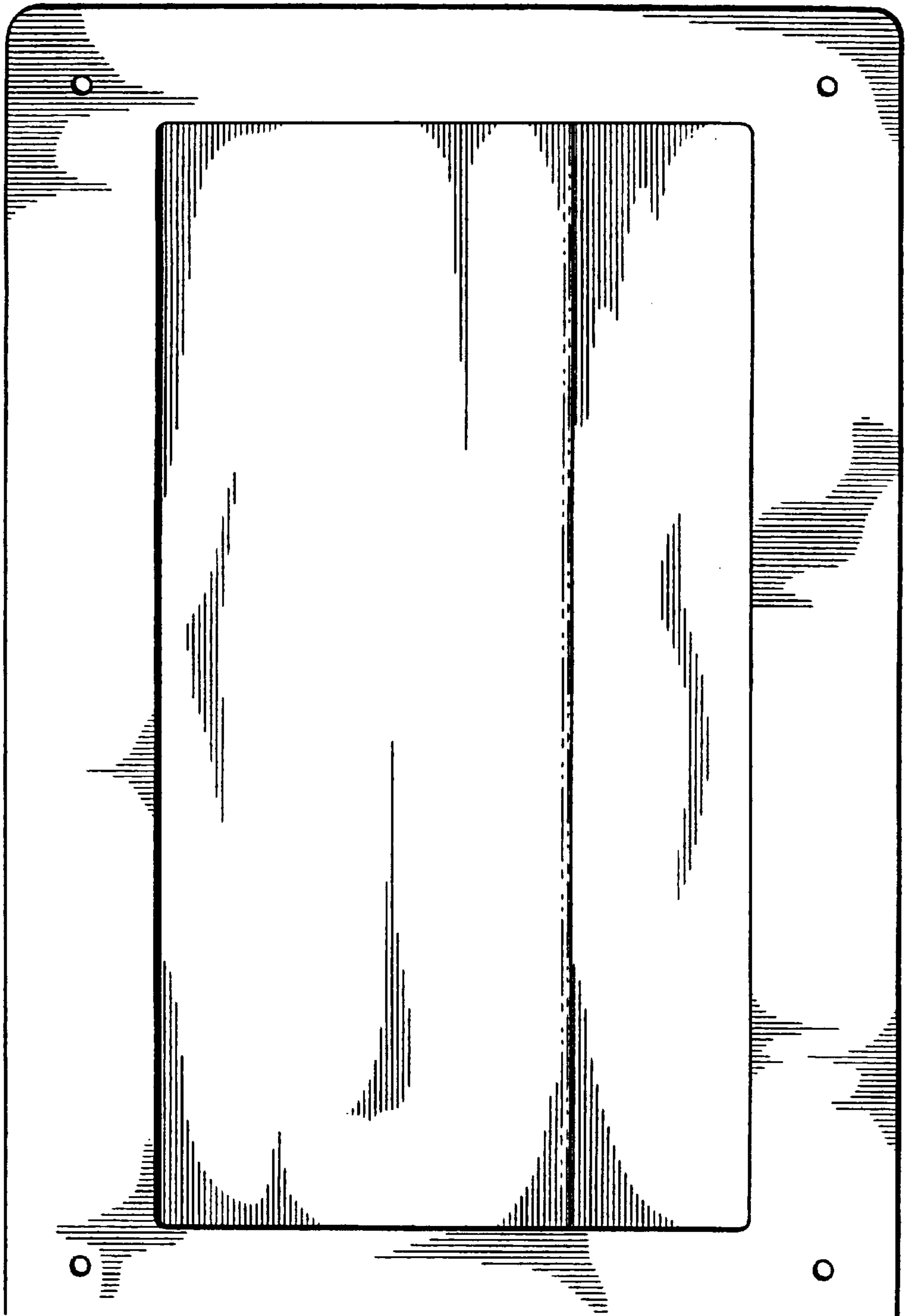


FIG. 2



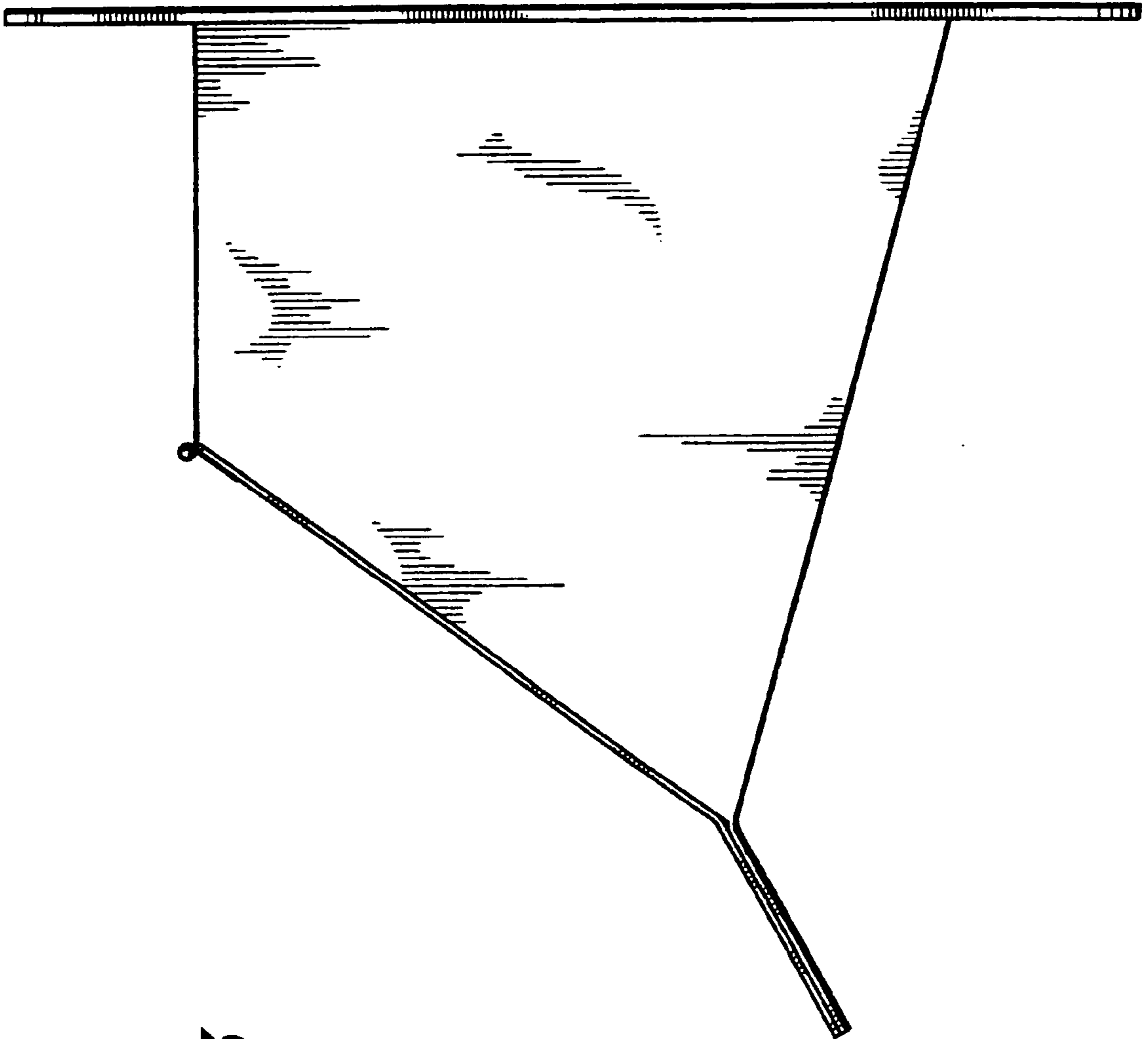


FIG. 3

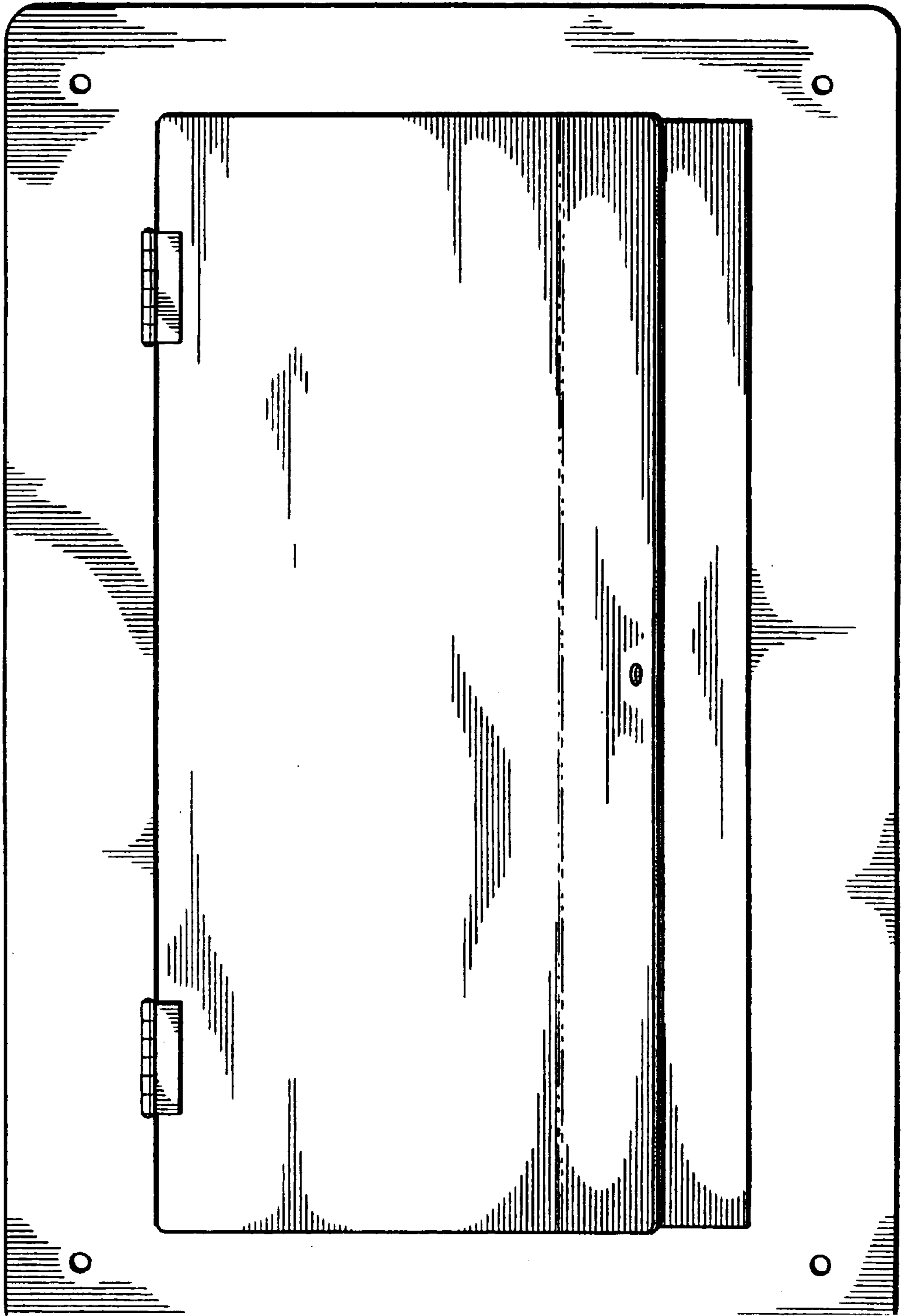


FIG. 4

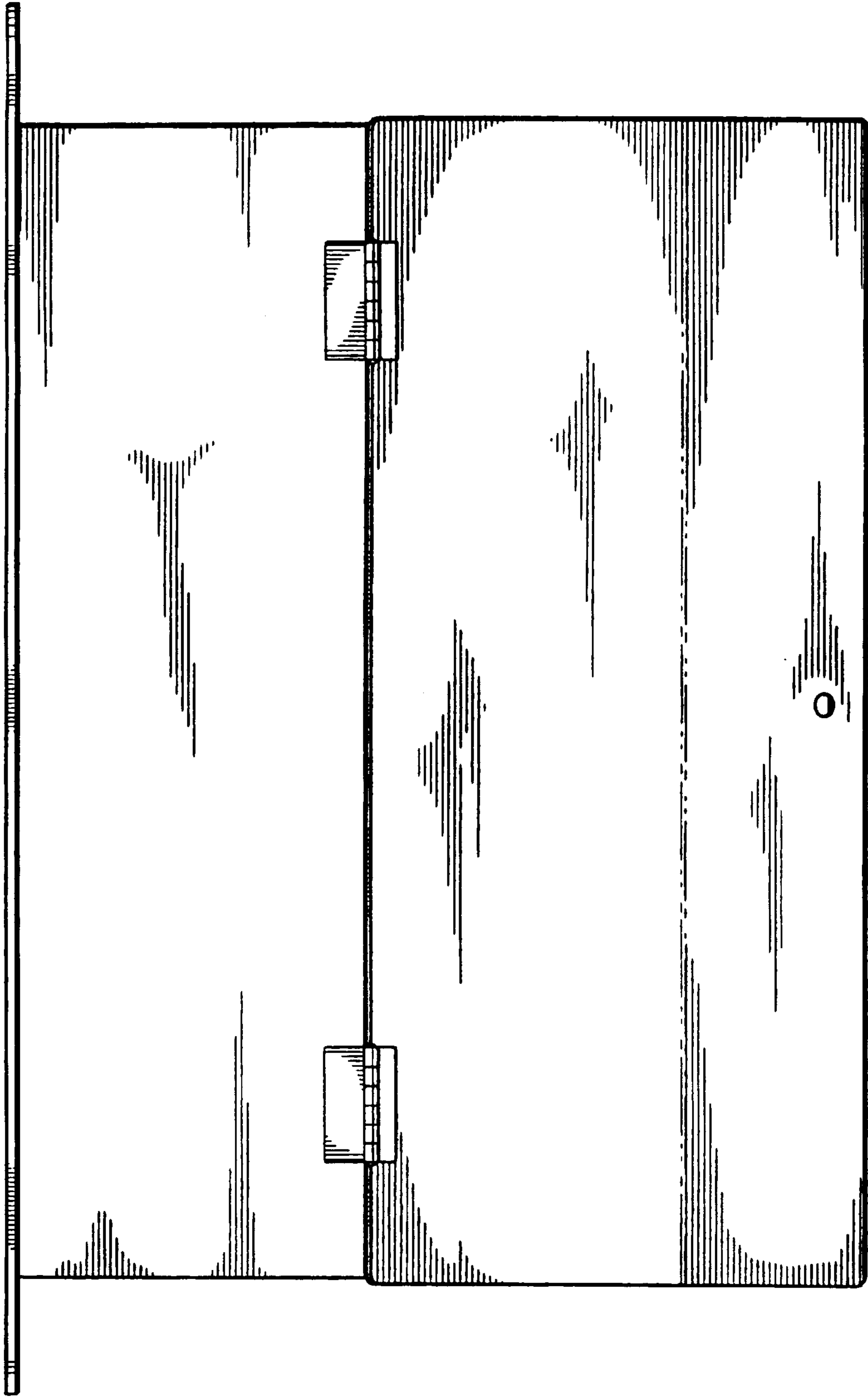


FIG. 5

FIG. 6

