



US00D414903S

United States Patent [19]

Baiera et al.

[11] Patent Number: **Des. 414,903**

[45] Date of Patent: **** Oct. 5, 1999**

[54] **PET TOY**

[75] Inventors: **Vincent A. Baiera**, Brooklyn, N.Y.;
Jonathan Willinger, Tenafly, N.J.

[73] Assignee: **J. W. Pet Company**, East Rutherford,
N.J.

[**] Term: **14 Years**

[21] Appl. No.: **29/074,934**

[22] Filed: **Aug. 13, 1997**

[51] **LOC (6) Cl.** **30-99**

[52] **U.S. Cl.** **D30/160**

[58] **Field of Search** D1/106, 120, 199;
D30/160; 119/701-711; D21/694; 426/582

[56] **References Cited**

U.S. PATENT DOCUMENTS

D. 287,988	1/1987	Billinghurst	D30/160
D. 372,791	8/1996	Berendsen et al.	D30/160
D. 381,475	7/1997	Lynch	D30/160
D. 402,435	12/1998	Correll	D1/106
1,441,095	1/1923	Kahnweiler	119/711
1,534,964	4/1925	Kahnweiler	119/711

2,246,965	6/1941	Yoder	119/711
2,464,665	3/1949	Anderson	D30/160
4,327,668	5/1982	Phillips	119/707
4,803,953	2/1989	Graves	119/707
5,390,629	2/1995	Simone	119/711
5,564,369	10/1996	Barber et al.	D30/160

Primary Examiner—Cathy Anne MacCormac
Attorney, Agent, or Firm—Helfgott & Karas, P.C.

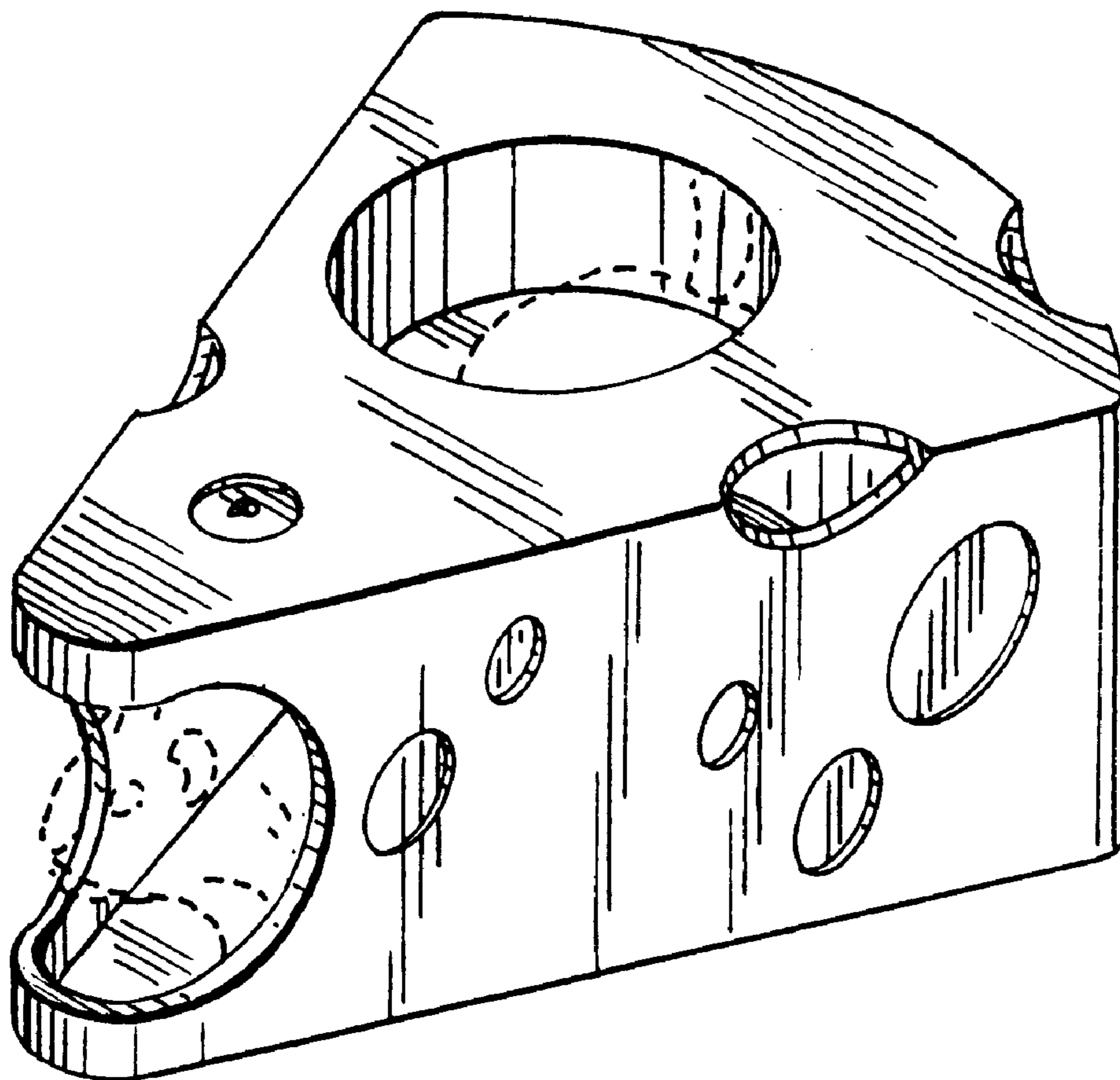
[57] **CLAIM**

The ornamental design for a pet toy, as shown and described.

DESCRIPTION

FIG. 1 is a perspective view of a pet toy showing our new design;
FIG. 2 is a top plan view thereof;
FIG. 3 is a front elevation view thereof;
FIG. 4 is a right side elevation view thereof;
FIG. 5 is a left side elevation view thereof;
FIG. 6 is a rear elevation view thereof;
FIG. 7 is a bottom plan view thereof; and,
FIG. 8 is a cross sectional view thereof taken on line 8—8
of FIG. 2.

1 Claim, 3 Drawing Sheets



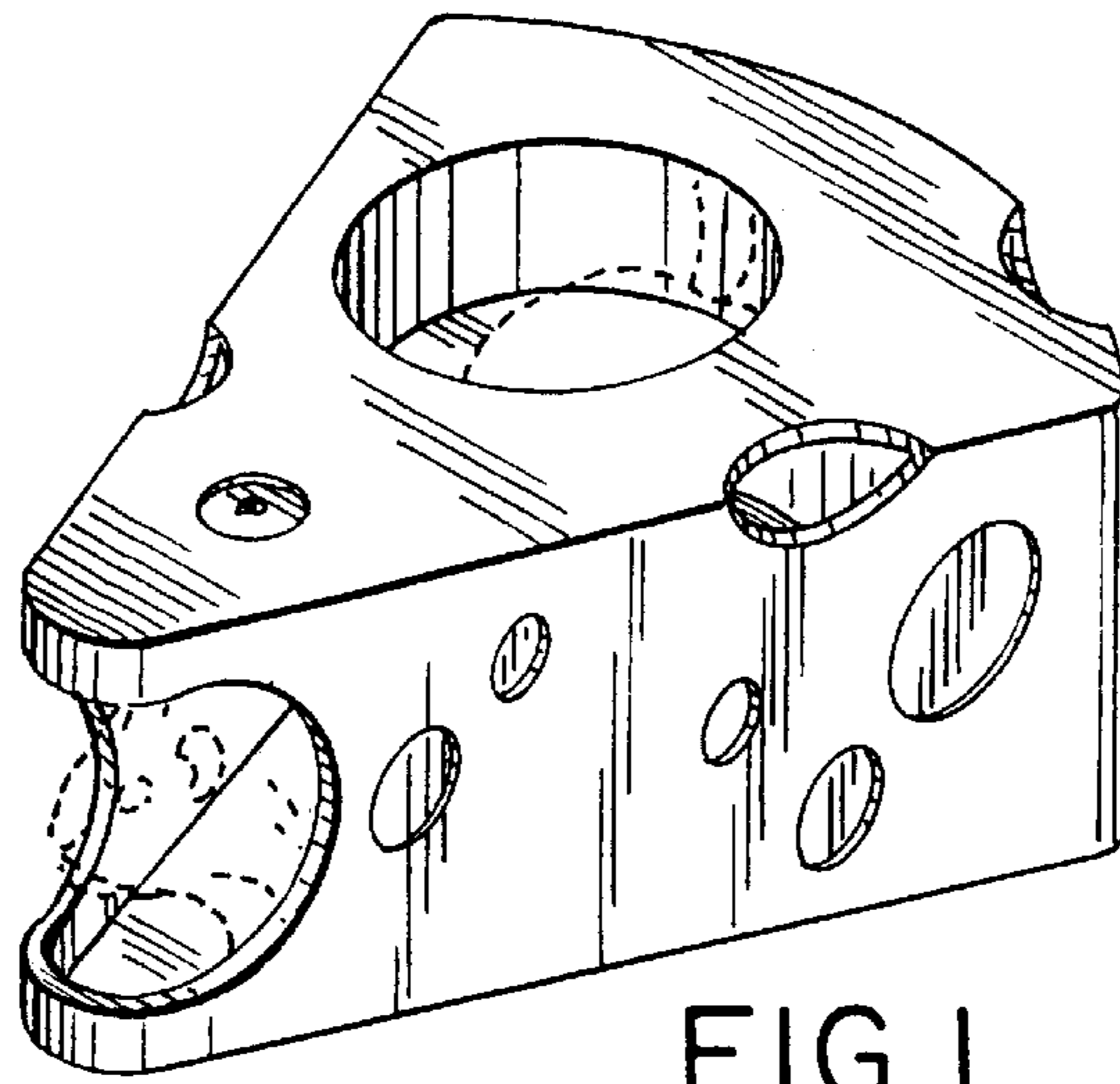


FIG. 1

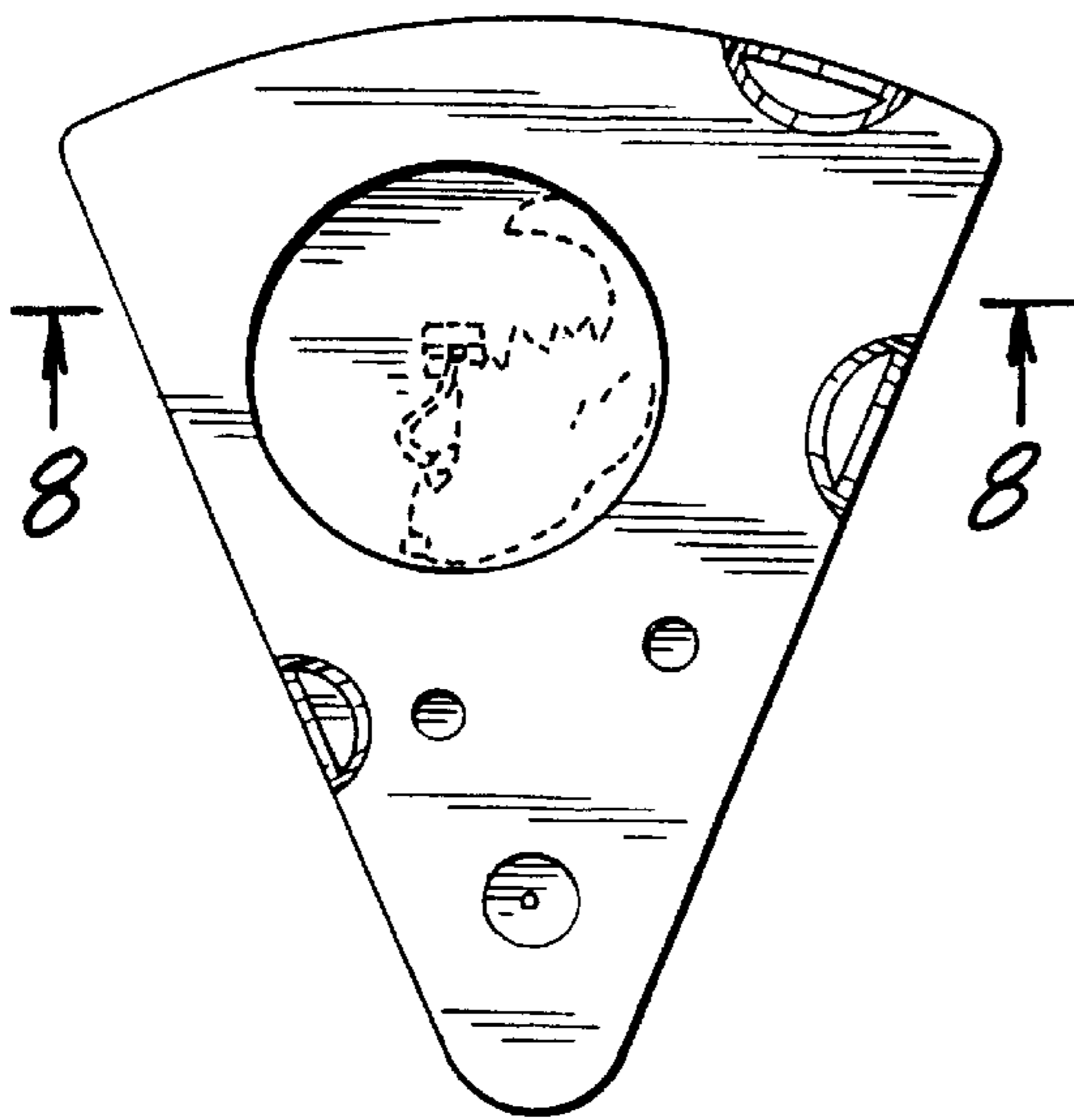


FIG. 2

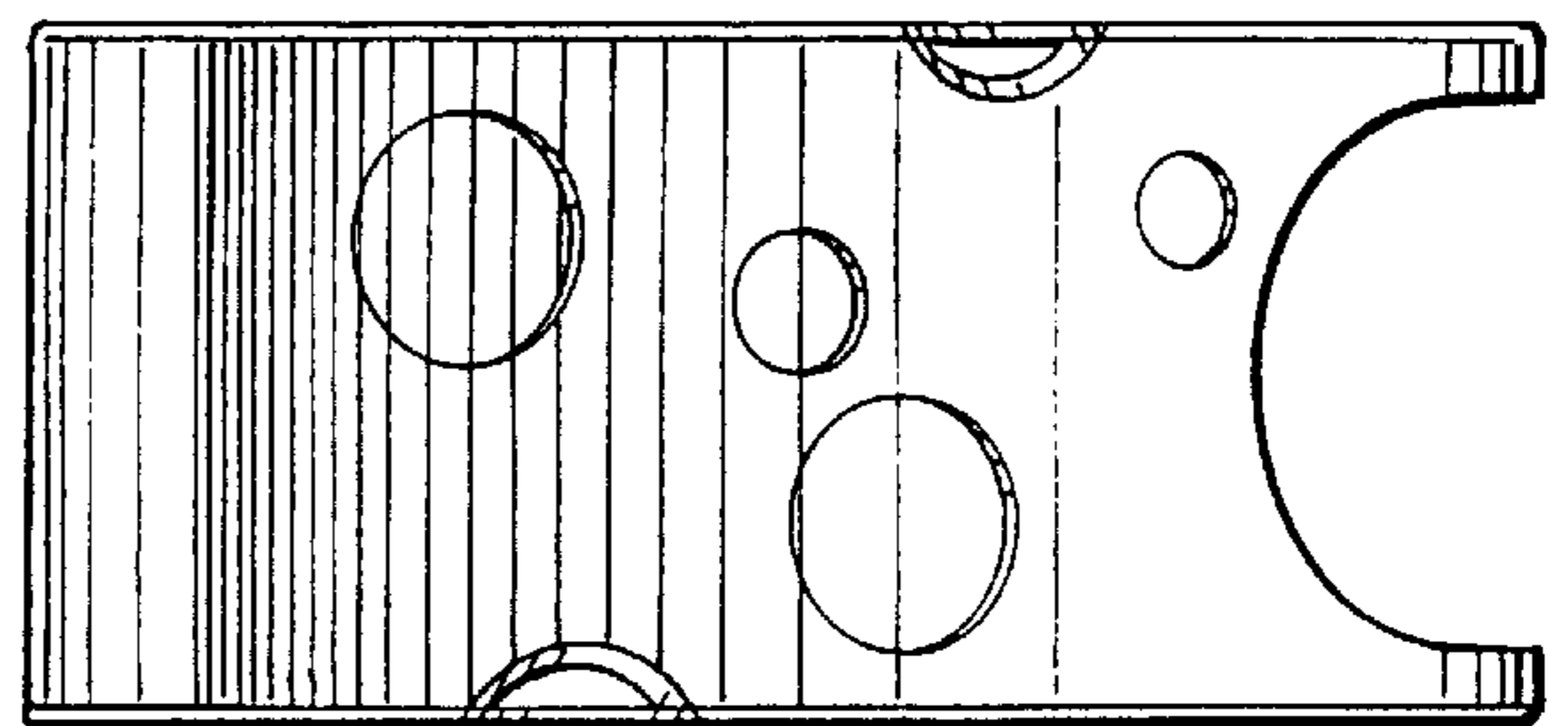


FIG. 4

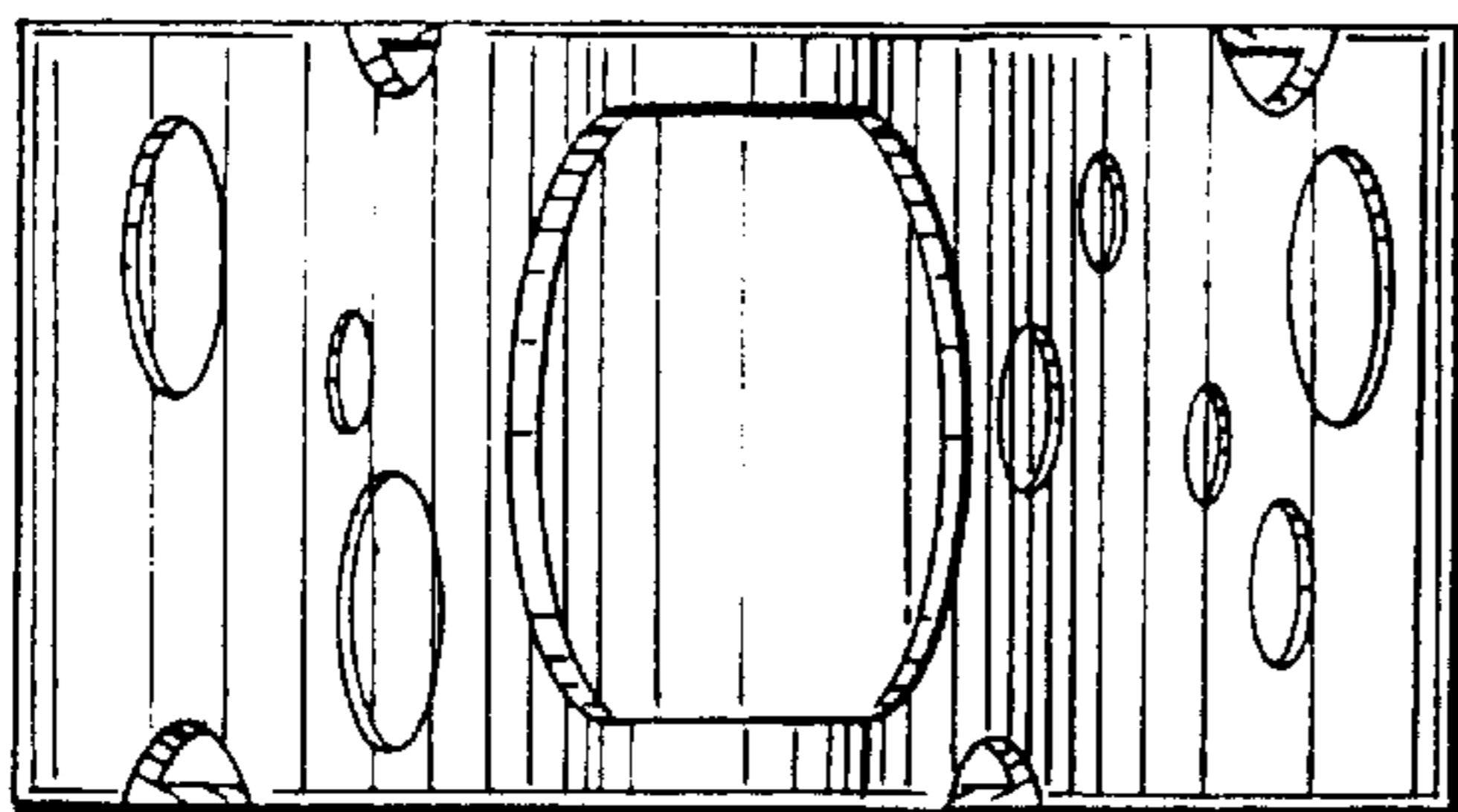


FIG. 3

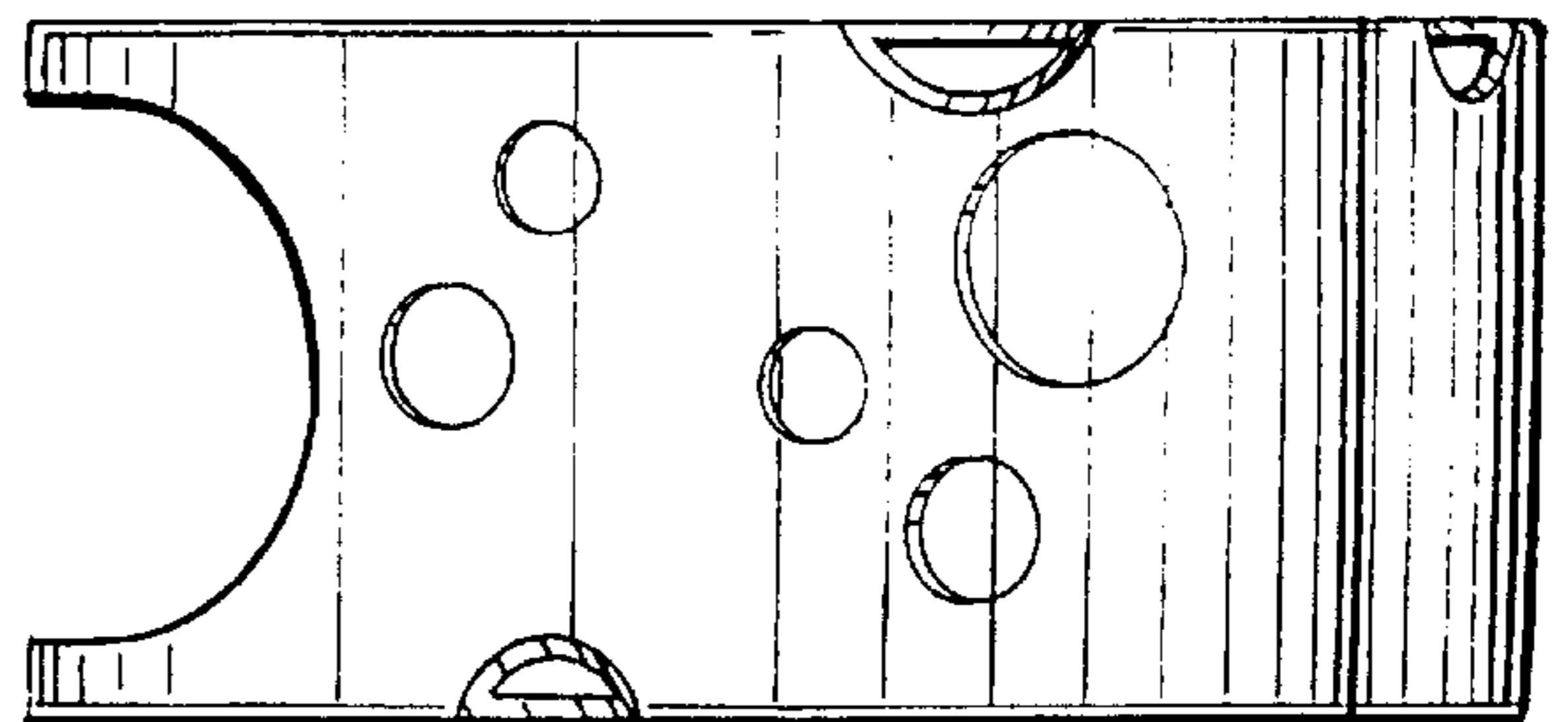


FIG. 5

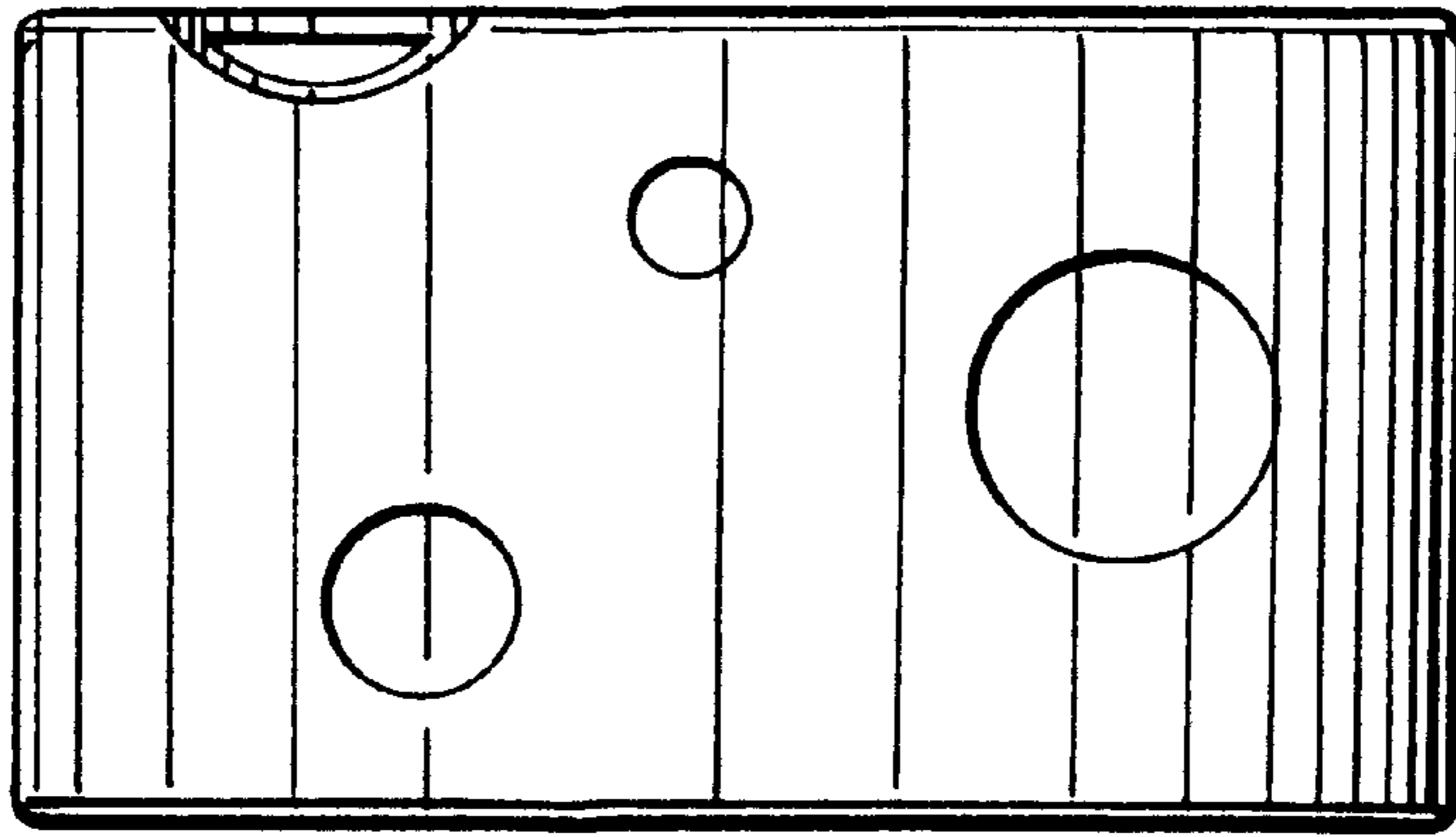


FIG. 6

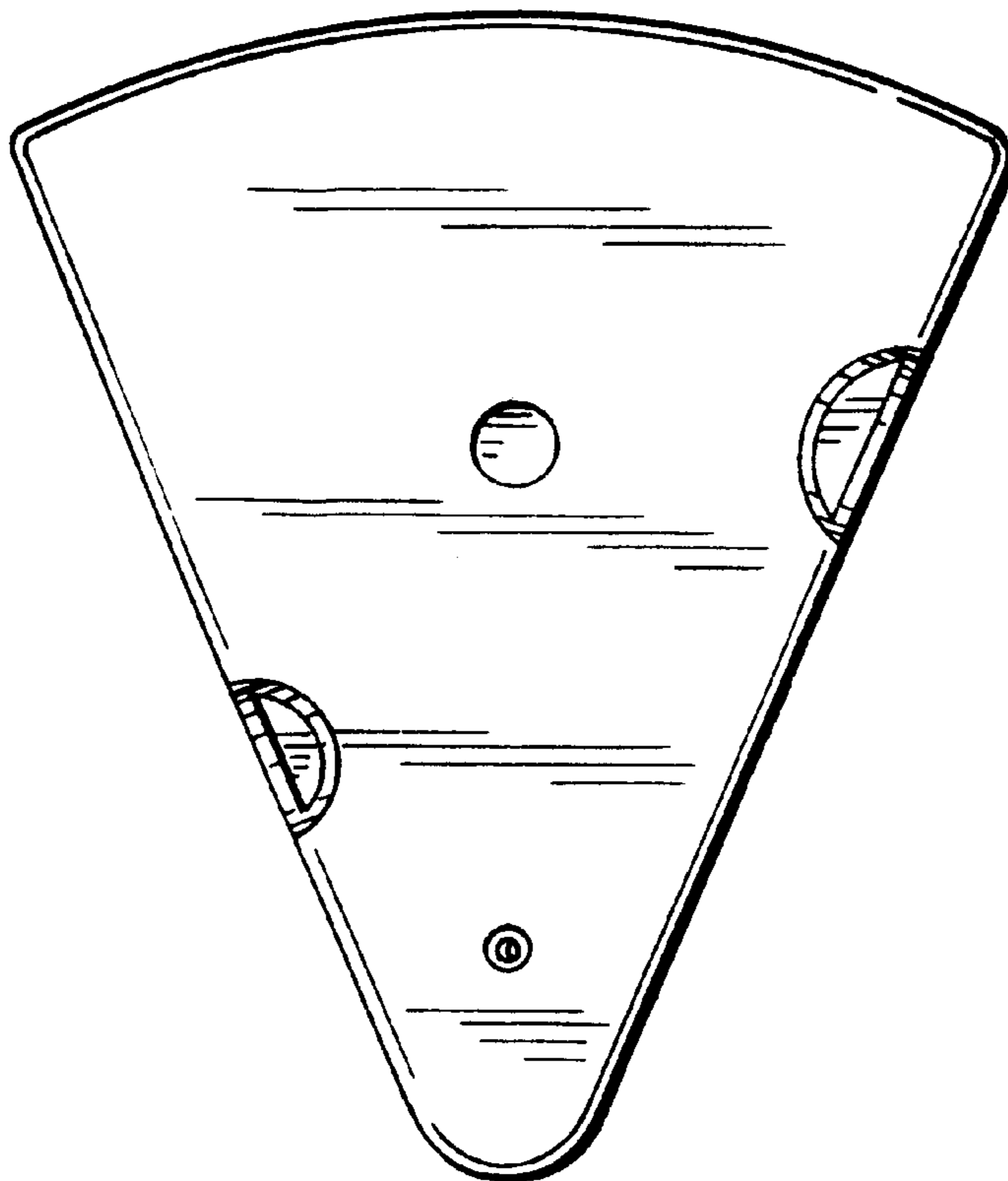


FIG. 7

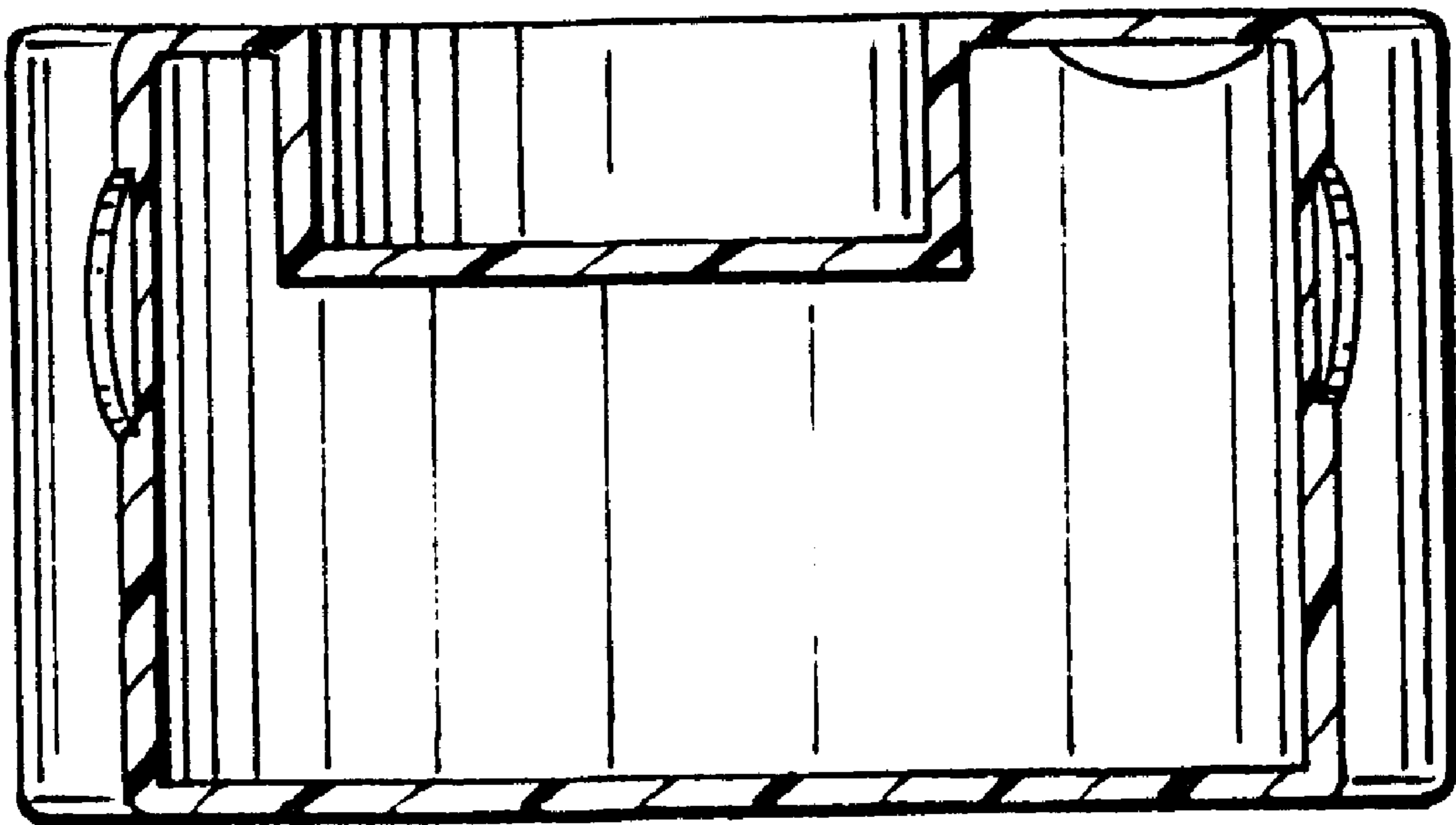


FIG. 8