



US00D414902S

United States Patent [19] Carpenter

[11] Patent Number: **Des. 414,902**

[45] Date of Patent: **** Oct. 5, 1999**

[54] **BIRD FEEDER**

[75] Inventor: **James R. Carpenter**, Zionsville, Ind.

[73] Assignee: **Wild Birds Unlimited, Inc.**, Carmel, Ind.

[**] Term: **14 Years**

[21] Appl. No.: **29/089,000**

[22] Filed: **Jun. 5, 1998**

[51] **LOC (6) Cl.** **30-03**

[52] **U.S. Cl.** **D30/124**

[58] **Field of Search** D30/108-109,
D30/110-111, 114-116, 124-125, 126-128;
119/452-453, 461, 472, 474, 455, 459,
482, 491, 497, 498, 502, 504, 513-514

[56] **References Cited**

U.S. PATENT DOCUMENTS

D. 249,285	9/1978	Podjam	D30/124
D. 287,650	1/1987	Braeuner	D30/110
D. 335,724	5/1993	Coffer	D30/110
D. 349,784	8/1994	Burns et al.	D30/110
D. 354,792	1/1995	Gill	D30/124
D. 358,907	5/1995	Spivey	D30/110
D. 370,311	5/1996	Logan, Jr.	D30/110
D. 370,746	6/1996	Gordon	D30/110
D. 374,511	10/1996	Schenck	D30/108
D. 381,776	7/1997	Potente	D30/110
3,418,976	12/1968	Vail	119/428
3,818,868	6/1974	Boehland, Jr.	119/431
3,916,836	11/1975	Justl	119/428
4,167,917	9/1979	Noll	119/429
4,246,869	1/1981	Tovin, Jr.	119/57.8

4,702,198	10/1987	Holyoak	119/432
4,974,546	12/1990	Burgett	119/57.8
5,063,877	11/1991	Riggi	119/52.2
5,105,764	4/1992	Primeau	119/52.3
5,186,123	2/1993	Cuddy	119/434
5,722,344	3/1998	Rank	119/57.8

OTHER PUBLICATIONS

Country Home, Wild Bird Care Products; Hummingbird Feeder Model HF6; Mar. 1995.

Home Furnishing Concepts, Inc. order sheet; p. 1; Style 50109—5—Hole Tube Feeder; Aug. 1995.

The Hookery brochure; the Downy Diner Collection—Tower Feeder, TFC-1; Aug. 1995.

Primary Examiner—Cathy Anne MacCormac

Attorney, Agent, or Firm—Rose McKinney & Evans

[57] CLAIM

The ornamental design for a bird feeder, as shown and described.

DESCRIPTION

FIG. 1 is an exploded perspective view of a bird feeder showing my new design;

FIG. 2 is a left side elevational view thereof;

FIG. 3 is a front elevational view thereof;

FIG. 4 is a right side elevational view thereof;

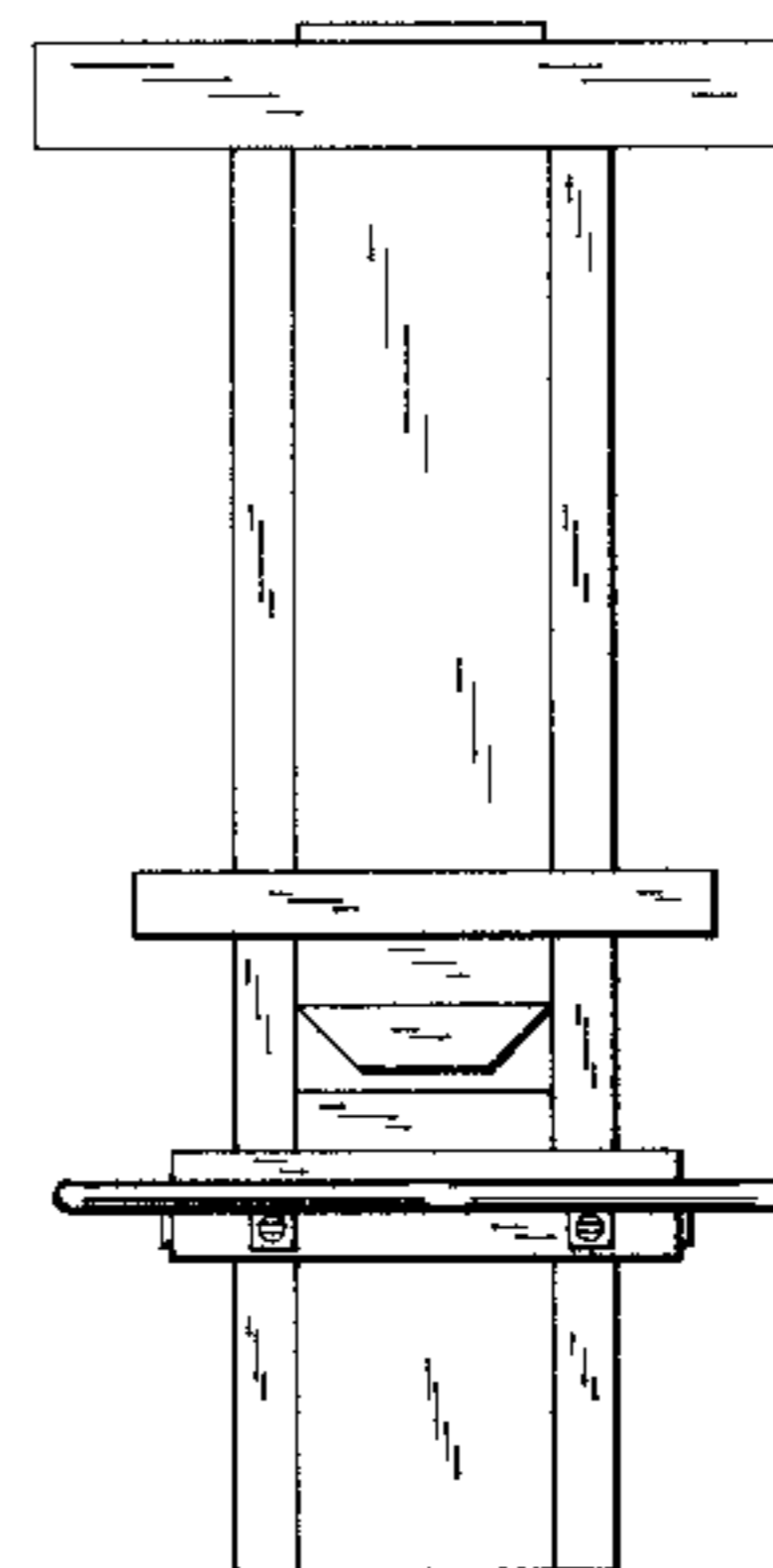
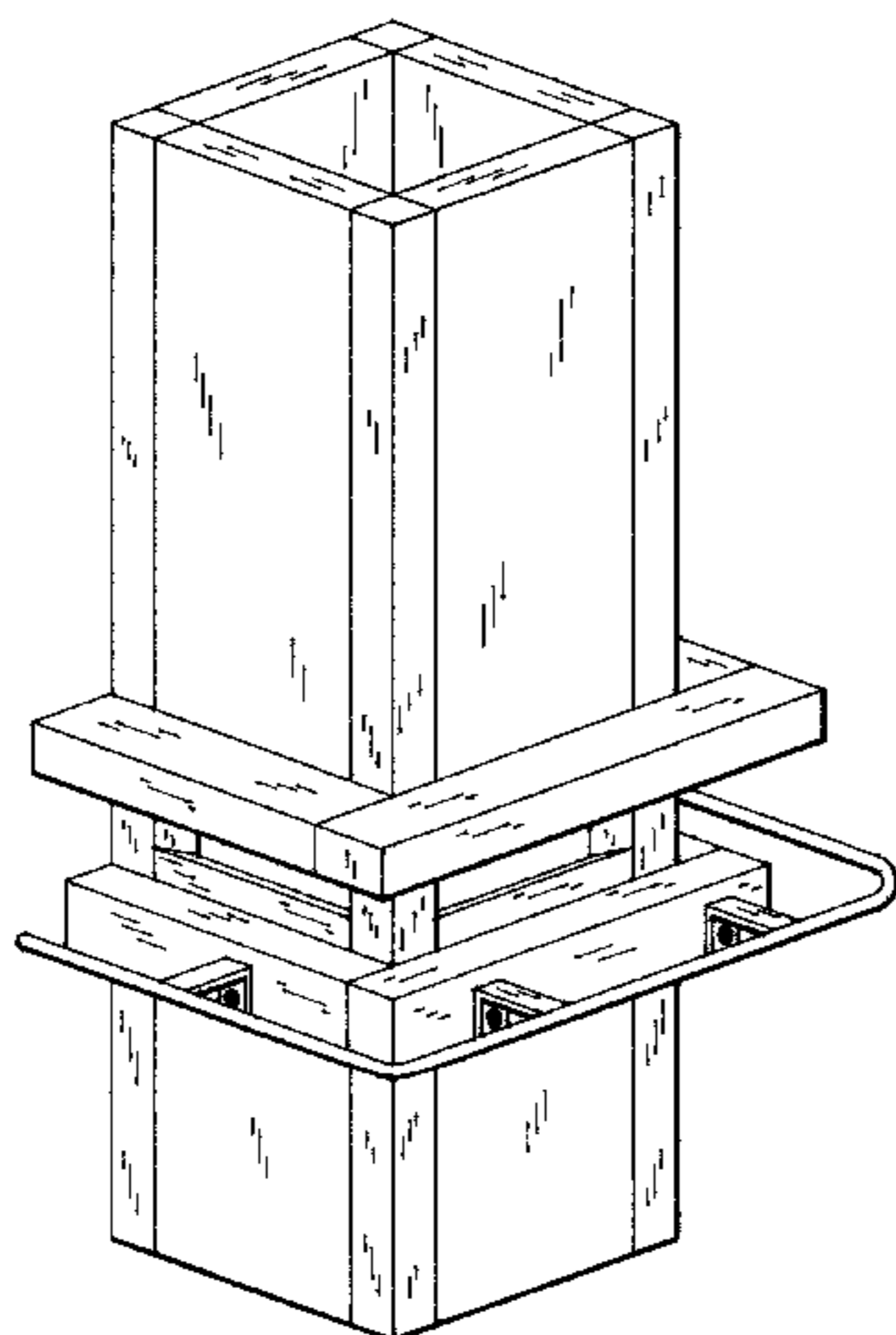
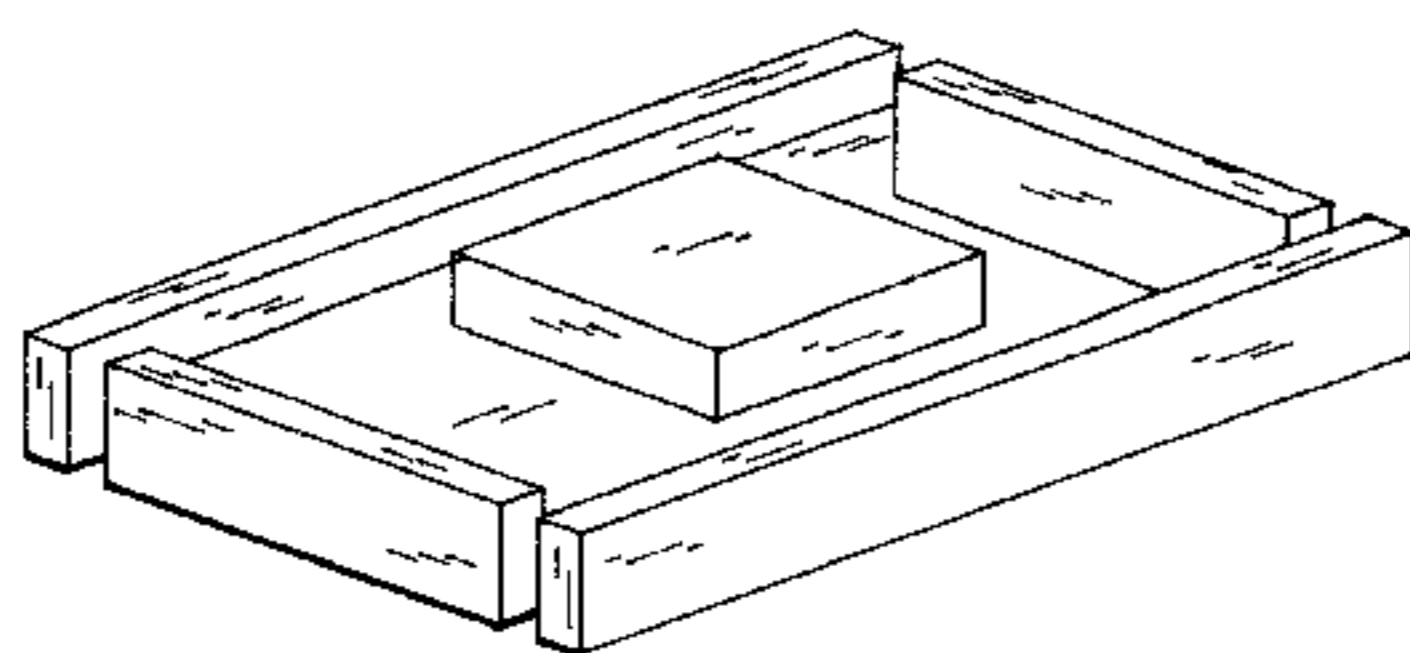
FIG. 5 is a rear elevational view thereof;

FIG. 6 is a top plan view thereof;

FIG. 7 is a bottom plan view thereof; and,

FIG. 8 is a top plan view showing the top feeding shelf removed.

1 Claim, 3 Drawing Sheets



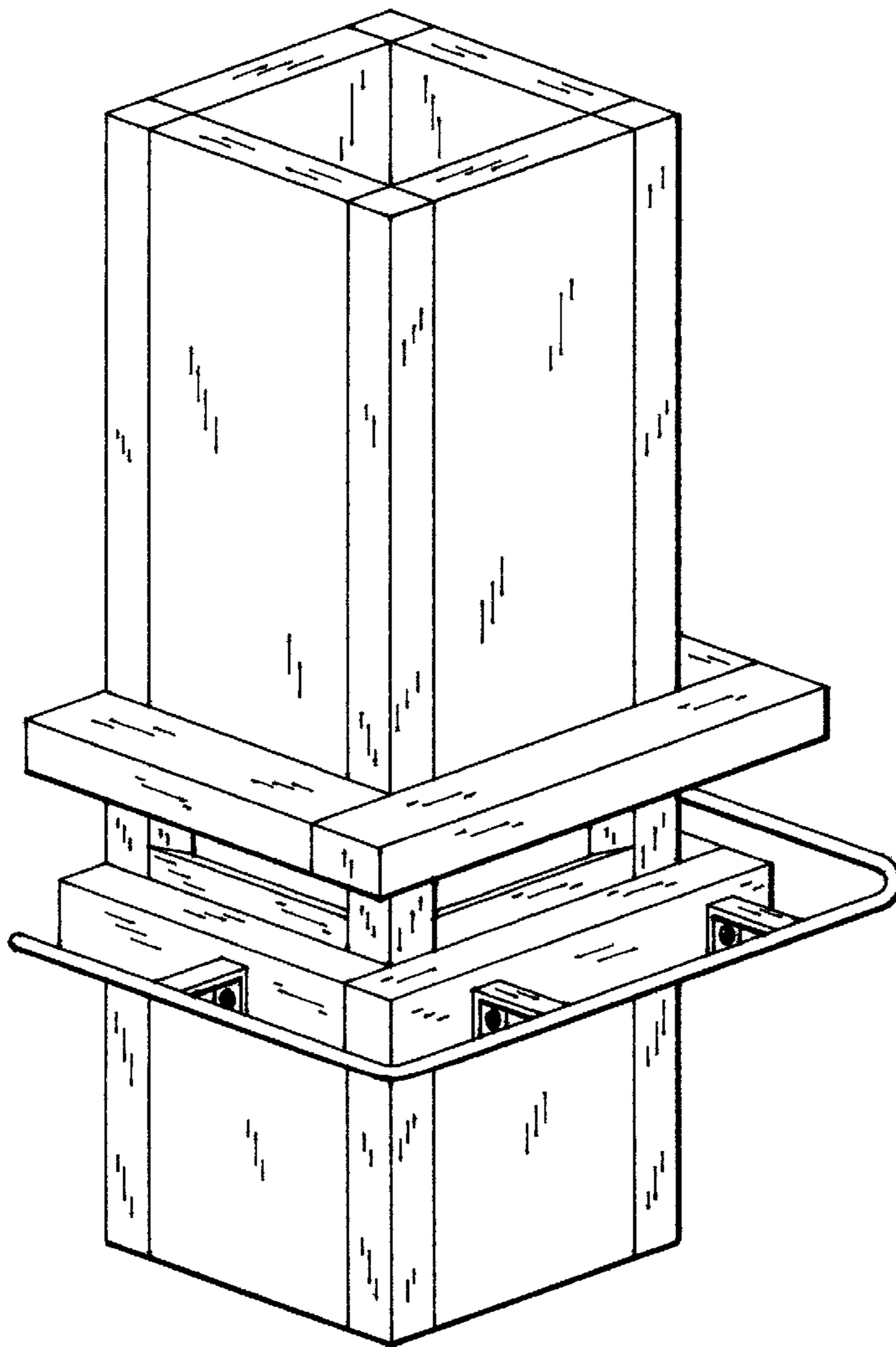
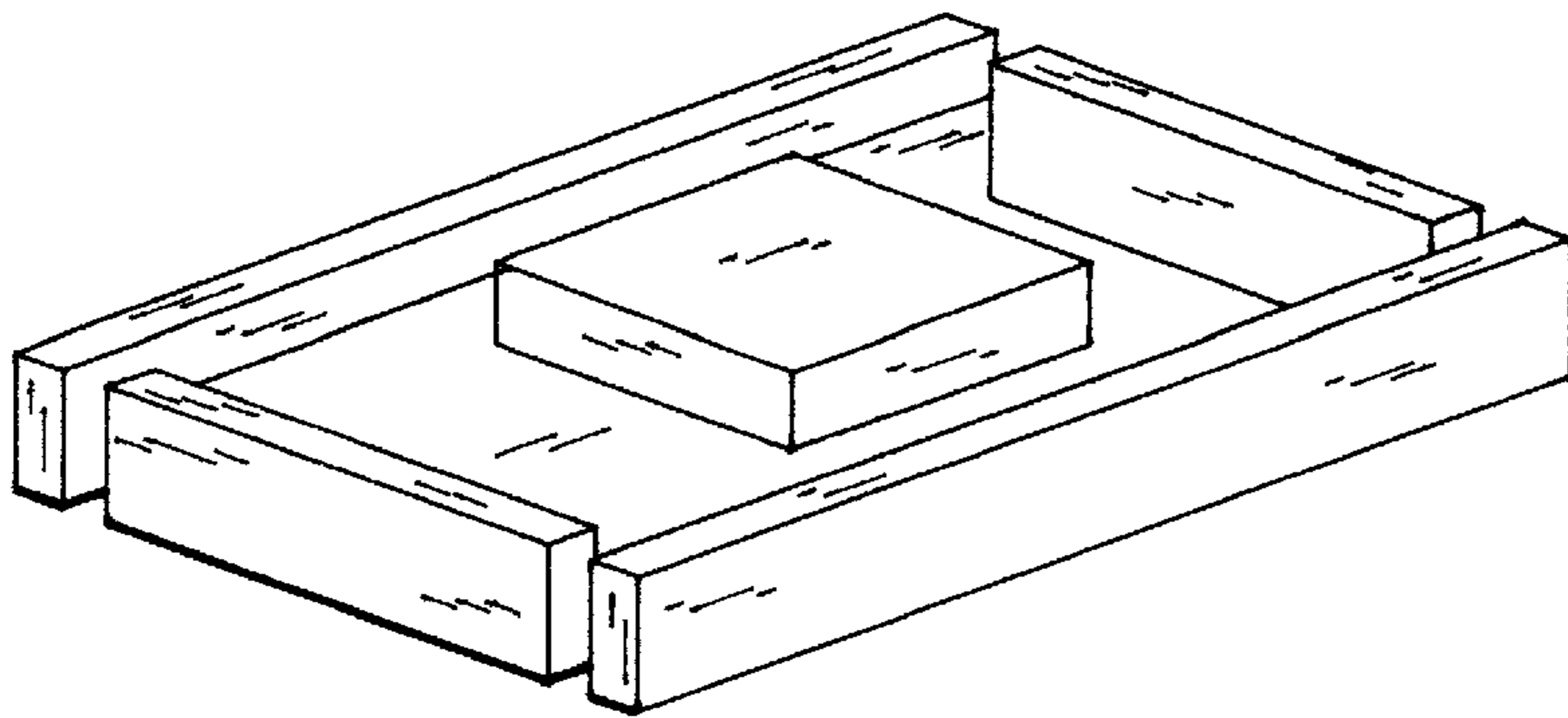


FIG. 1

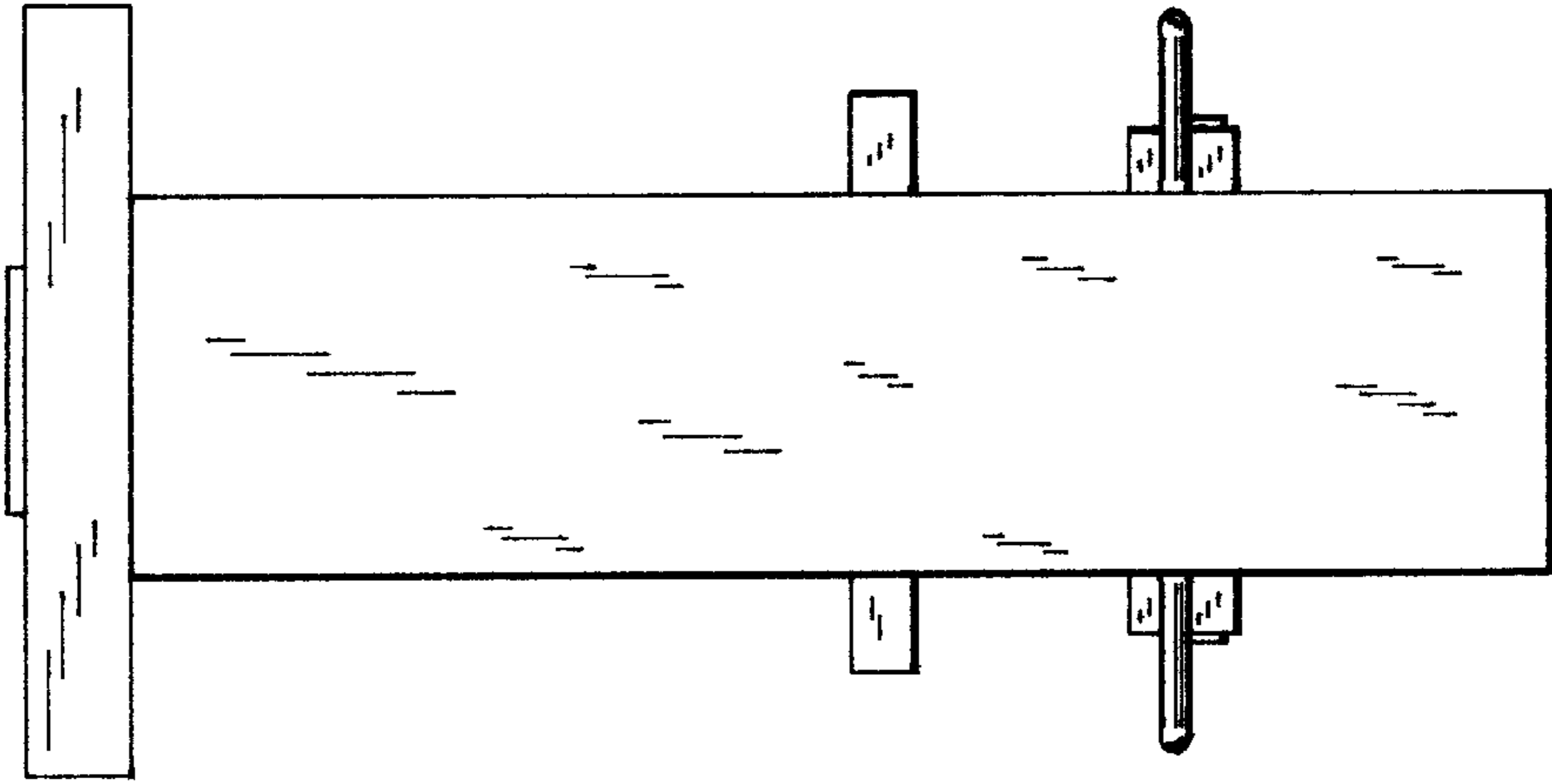


FIG. 5

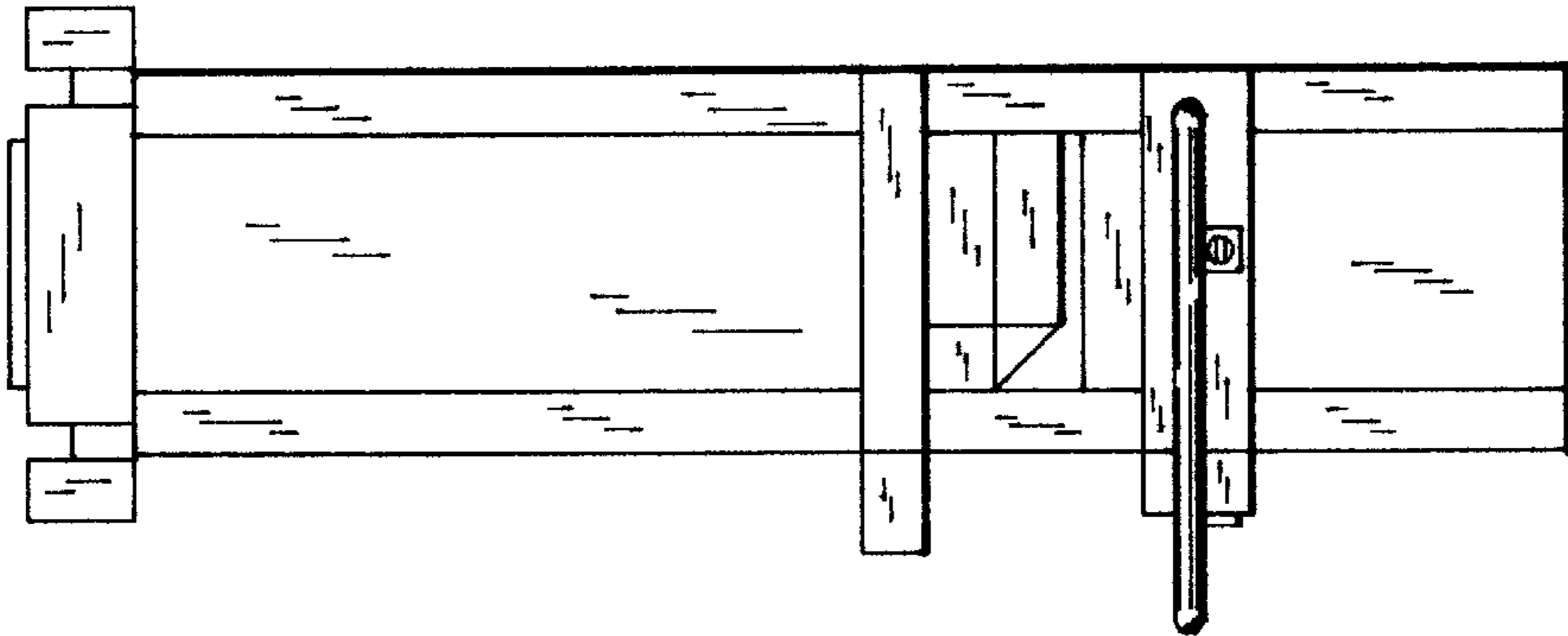


FIG. 4

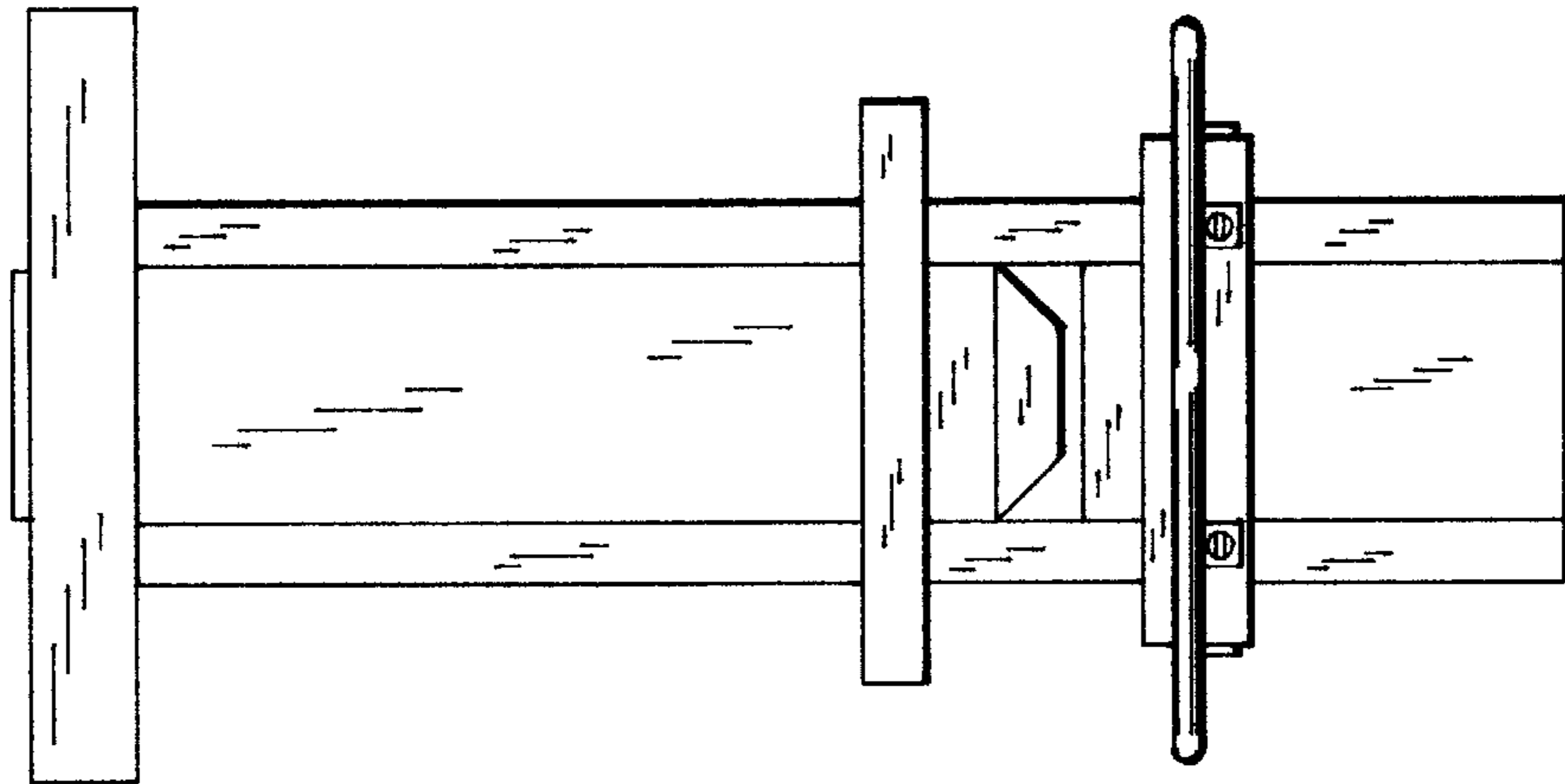


FIG. 3

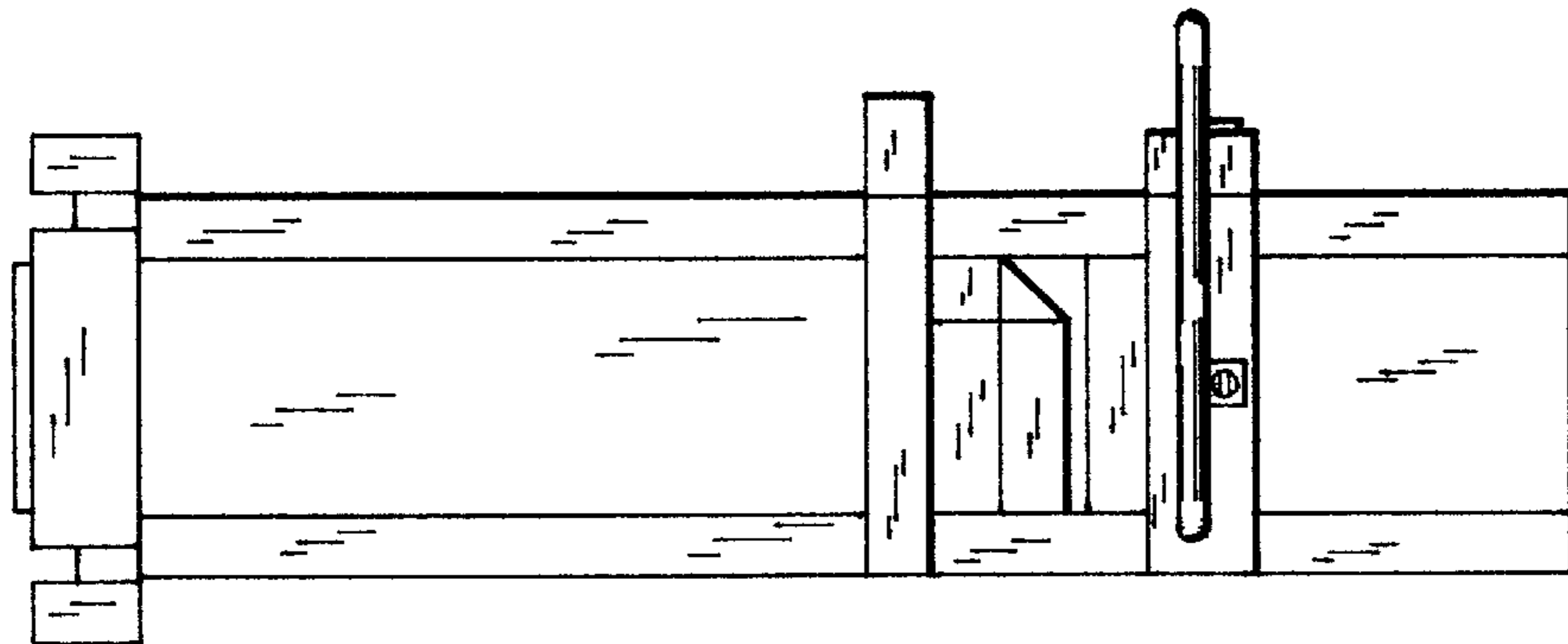


FIG. 2

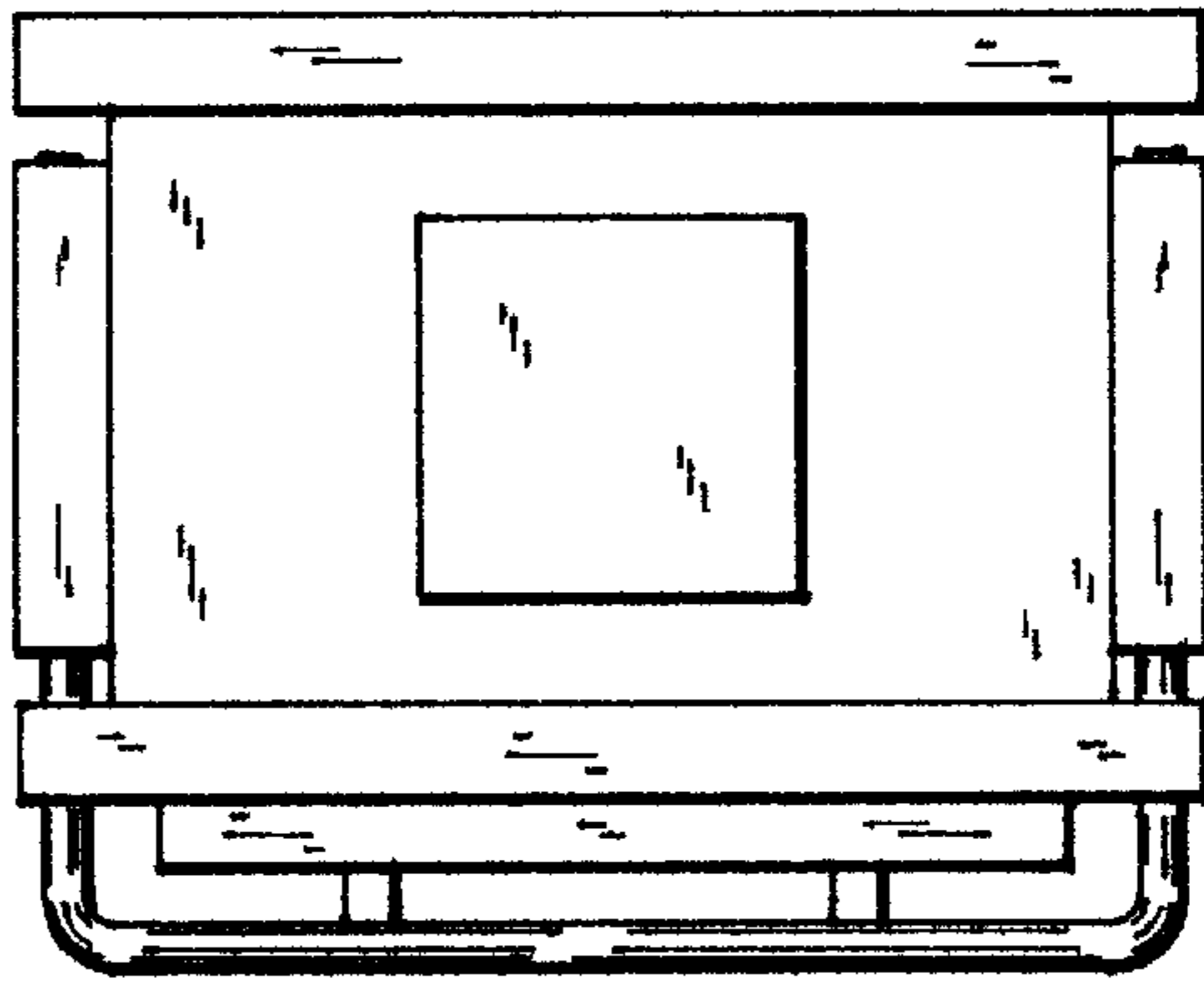


FIG. 6

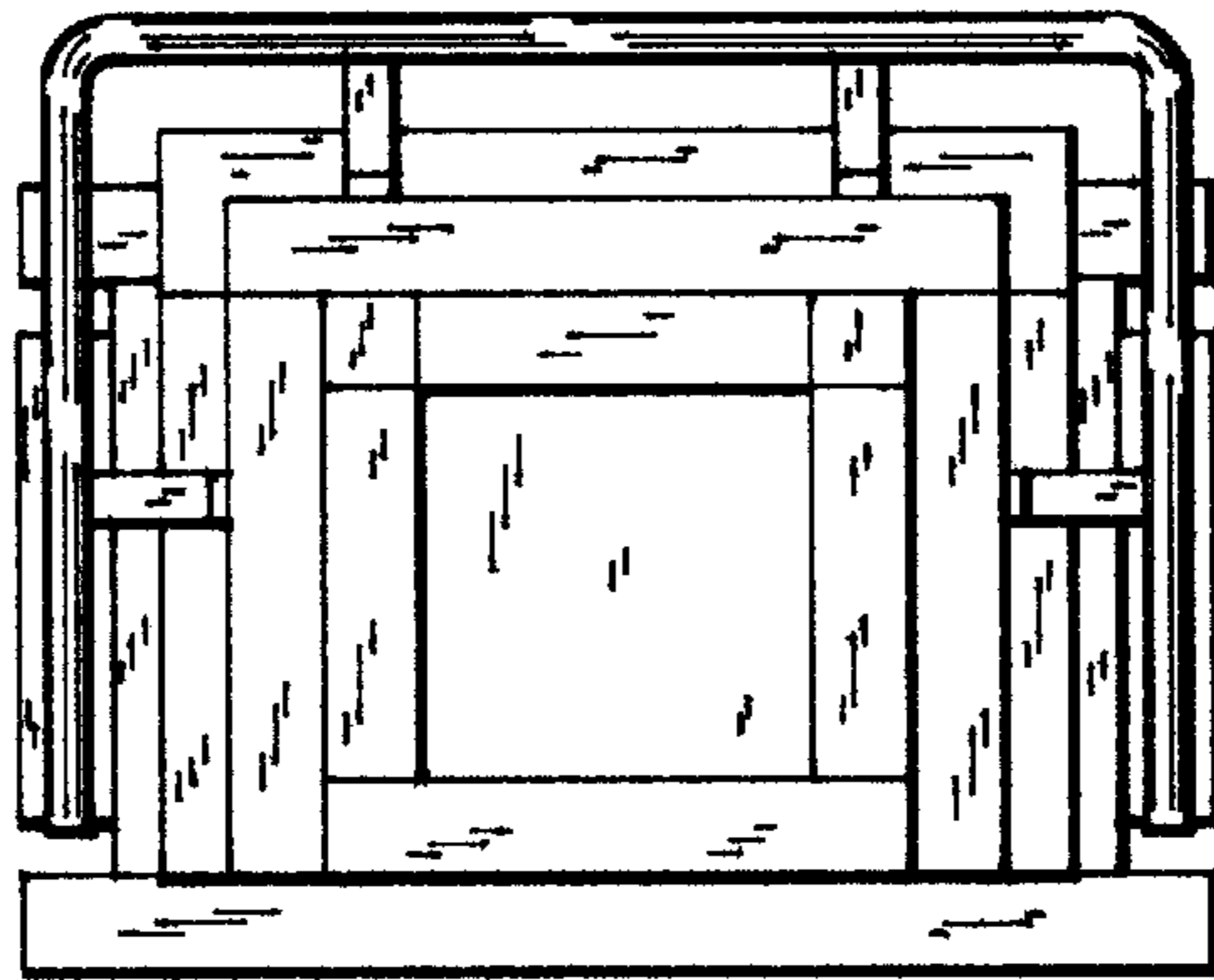


FIG. 7

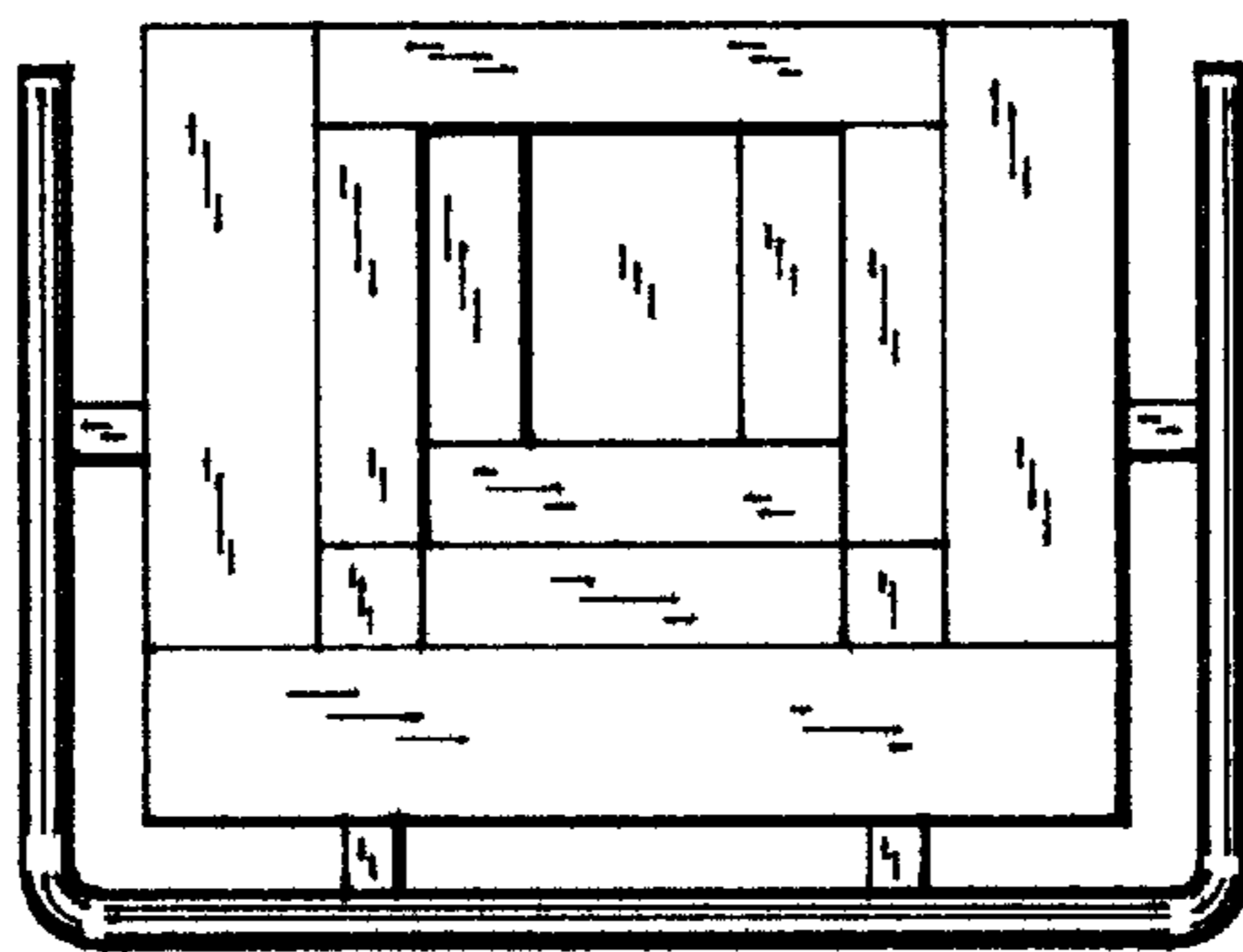


FIG. 8