



US00D414901S

United States Patent [19]
Cirelli

[11] **Patent Number: Des. 414,901**
[45] **Date of Patent: ** Oct. 5, 1999**

[54] **BIRD PERCH FOR HANGING IN THE SHOWER**

5,509,327 4/1996 Cropley D8/309
5,632,230 5/1997 Dornetta 119/537

[76] Inventor: **Bernard J. Cirelli**, 2566 Mammoth Dr., San Diego, Calif. 92123

Primary Examiner—Louis S. Zarfaz
Assistant Examiner—Catherine R. Oliver
Attorney, Agent, or Firm—Charles C. LoGan II

[**] Term: **14 Years**

[57] **CLAIM**

[21] Appl. No.: **29/083,687**

The ornamental design for a bird perch for hanging in the shower, as shown and described.

[22] Filed: **Feb. 17, 1998**

[51] **LOC (6) Cl.** **30-02**

[52] **U.S. Cl.** **D30/119**

[58] **Field of Search** D30/119, 160, D30/108, 124; 119/537, 57.8, 57.9, 464, 467, 468, 469, 531, 786; D8/309, 312; 248/163.1; D6/512, 549

DESCRIPTION

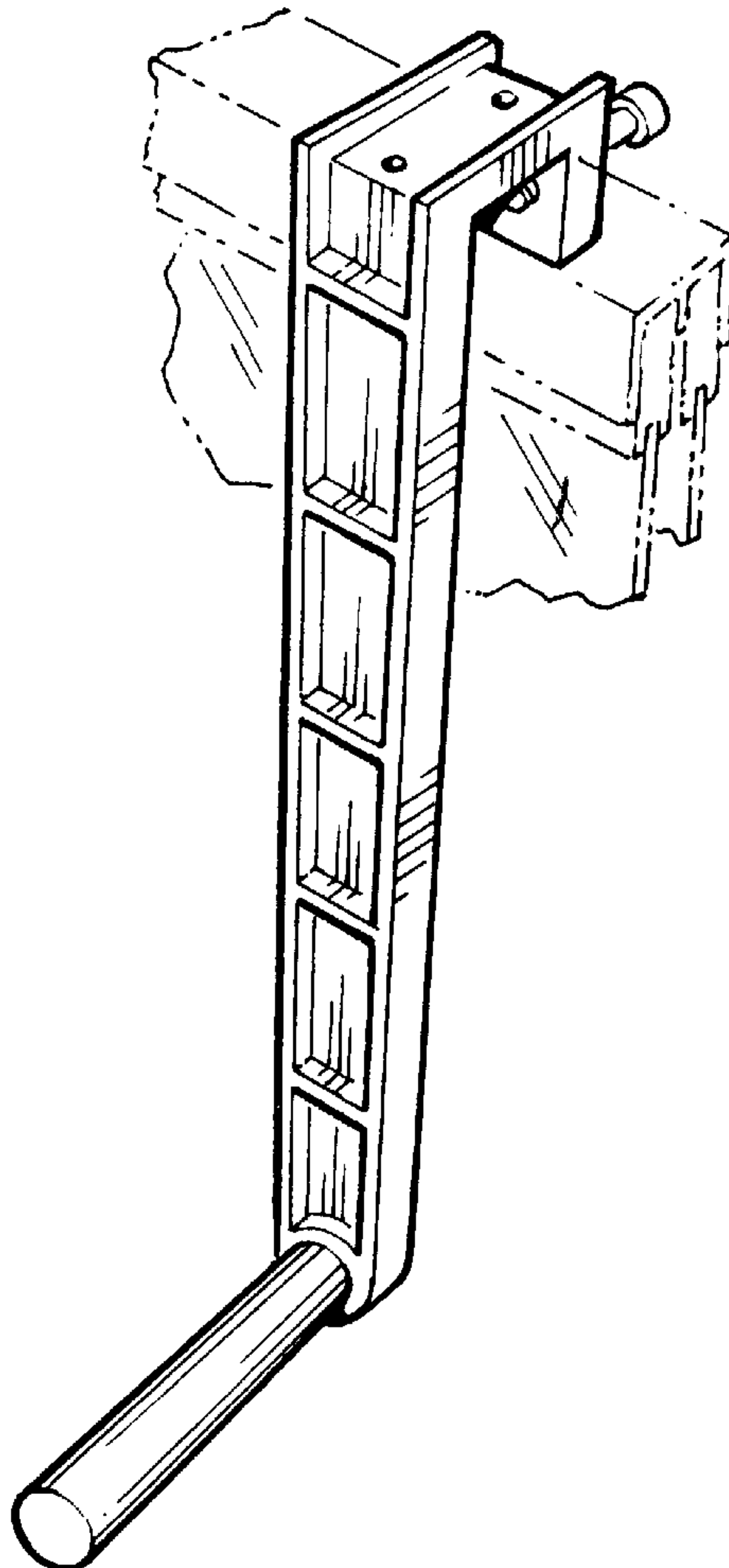
FIG. 1 is a front perspective view of the novel bird perch for hanging in the shower showing how it would be mounted on a shower door;
FIG. 2 is a partial elevation view thereof showing how it would be mounted on a shower rod;
FIG. 3 is a top plan view thereof;
FIG. 4 is a rear elevation view thereof;
FIG. 5 is a left side elevation view thereof;
FIG. 6 is a front elevation view thereof;
FIG. 7 is a right side elevation view thereof; and,
FIG. 8 is a bottom plan view.

[56] **References Cited**

U.S. PATENT DOCUMENTS

D. 384,442	9/1997	Cirelli	D30/119
D. 385,066	10/1997	Doornbos	D30/119
D. 386,834	11/1997	Nissim et al.	D30/119
D. 400,314	10/1998	Nicolai et al.	D30/119
5,218,927	6/1993	Addams	119/537

1 Claim, 2 Drawing Sheets



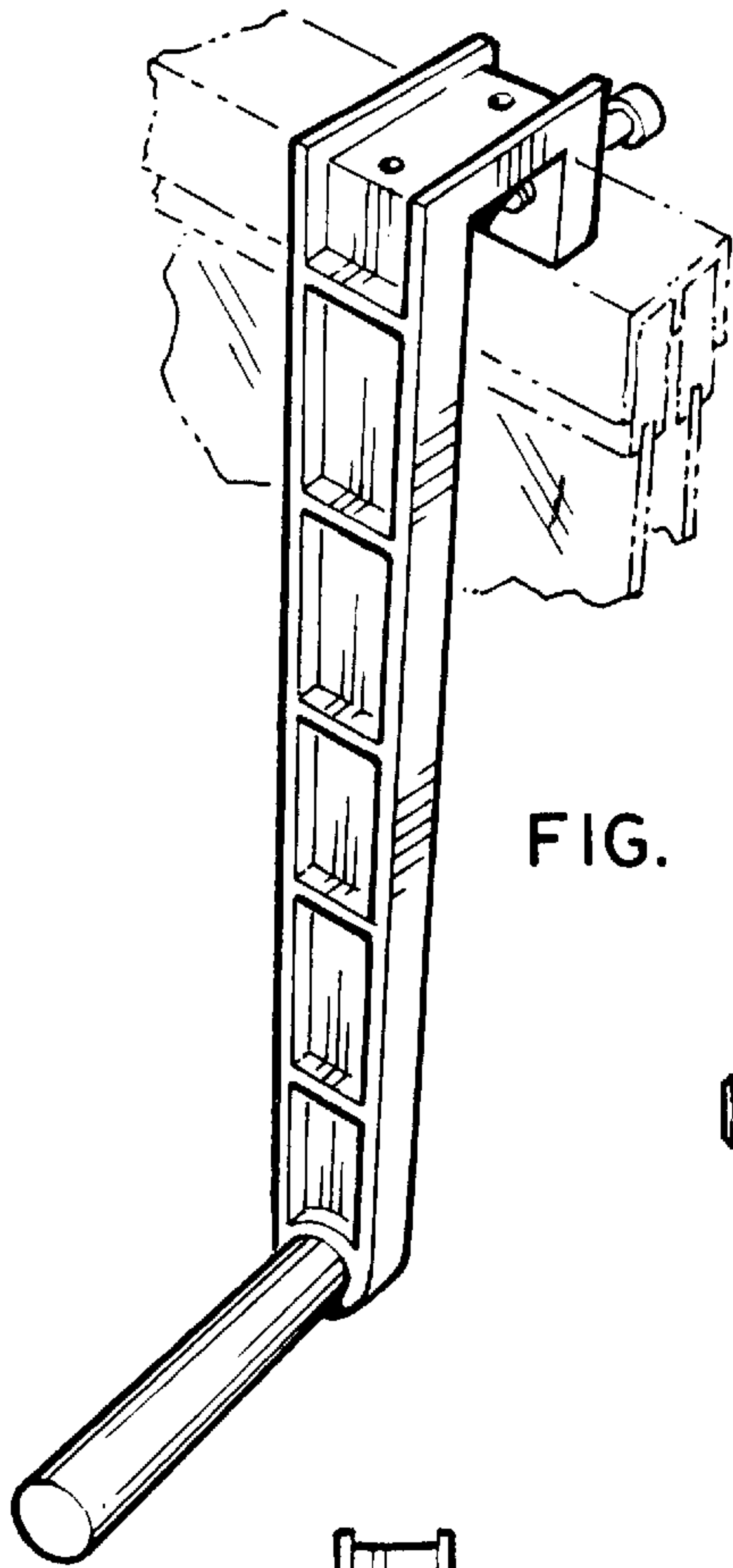


FIG. 1

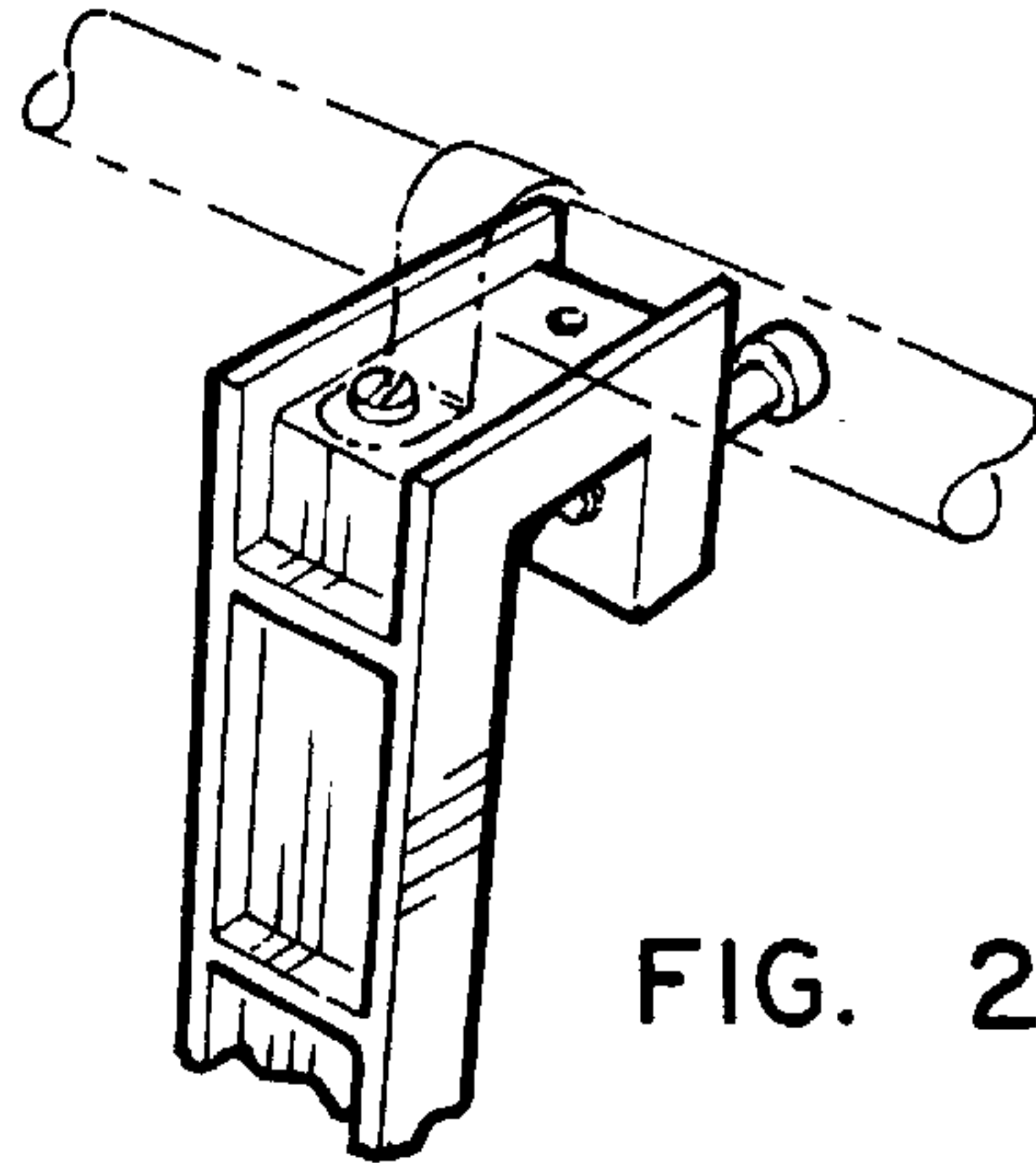


FIG. 2

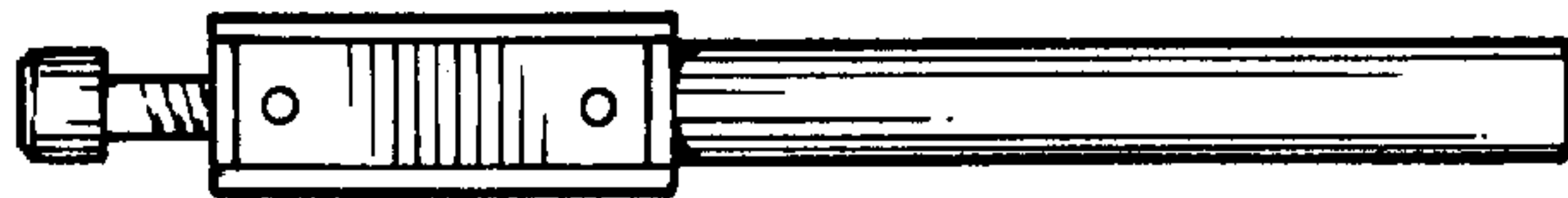


FIG. 3

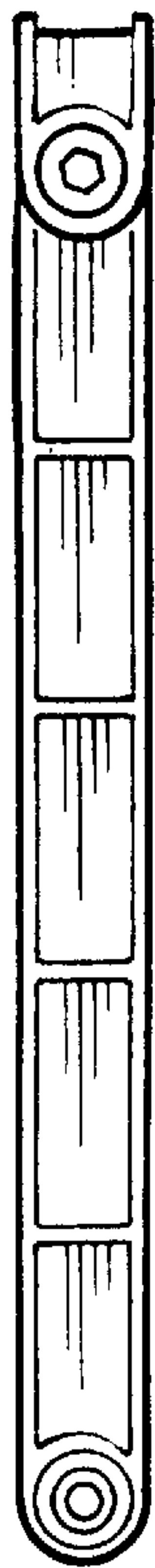


FIG. 4

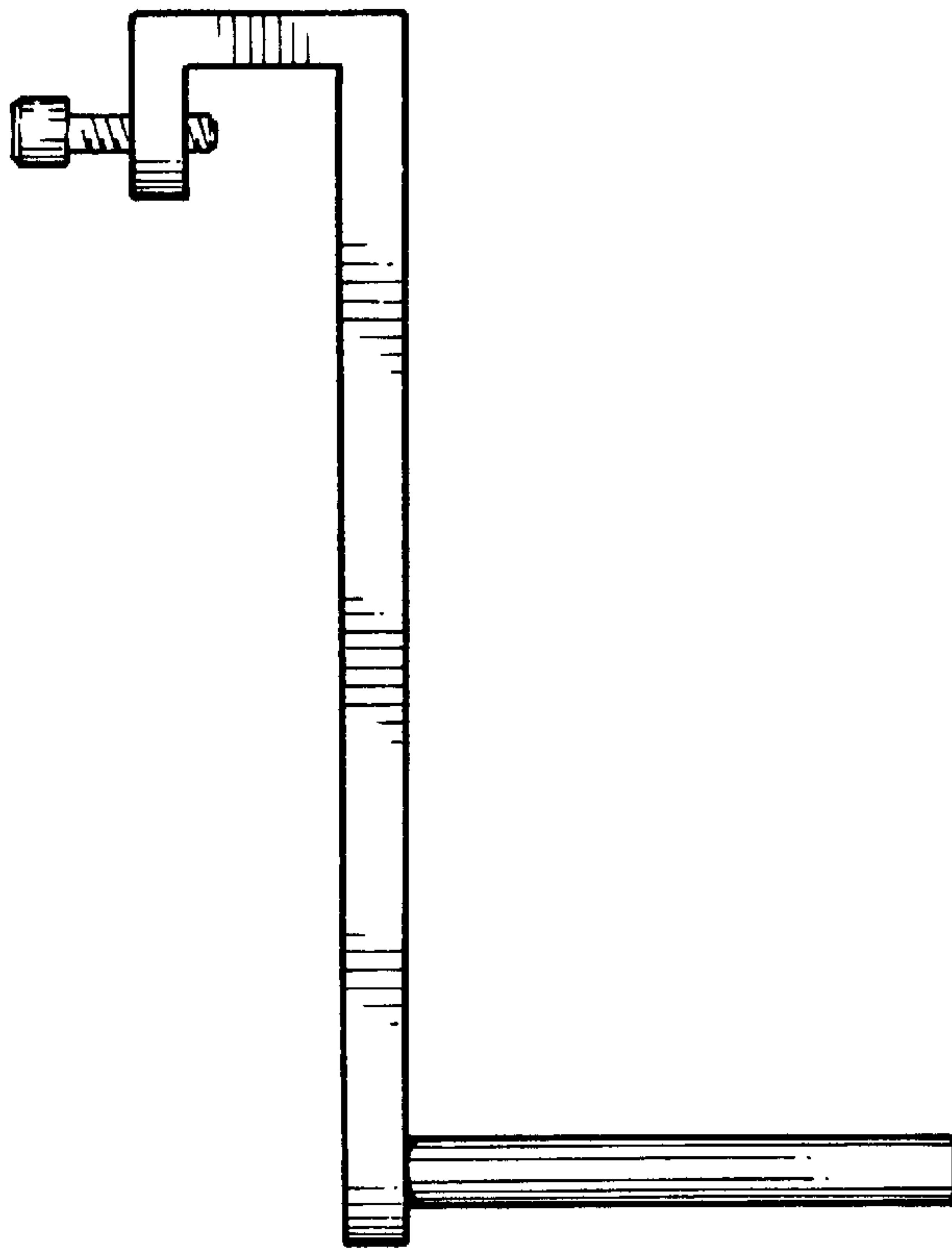


FIG. 5

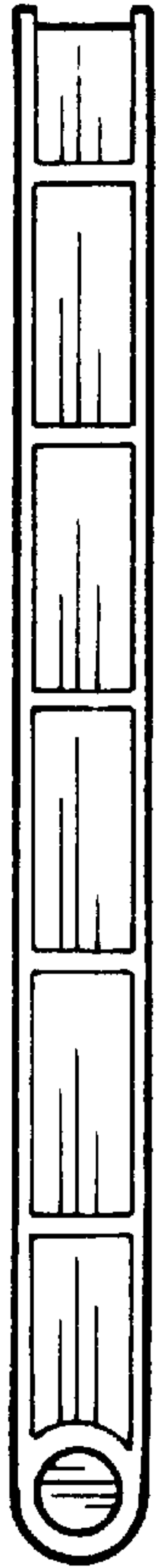


FIG. 6

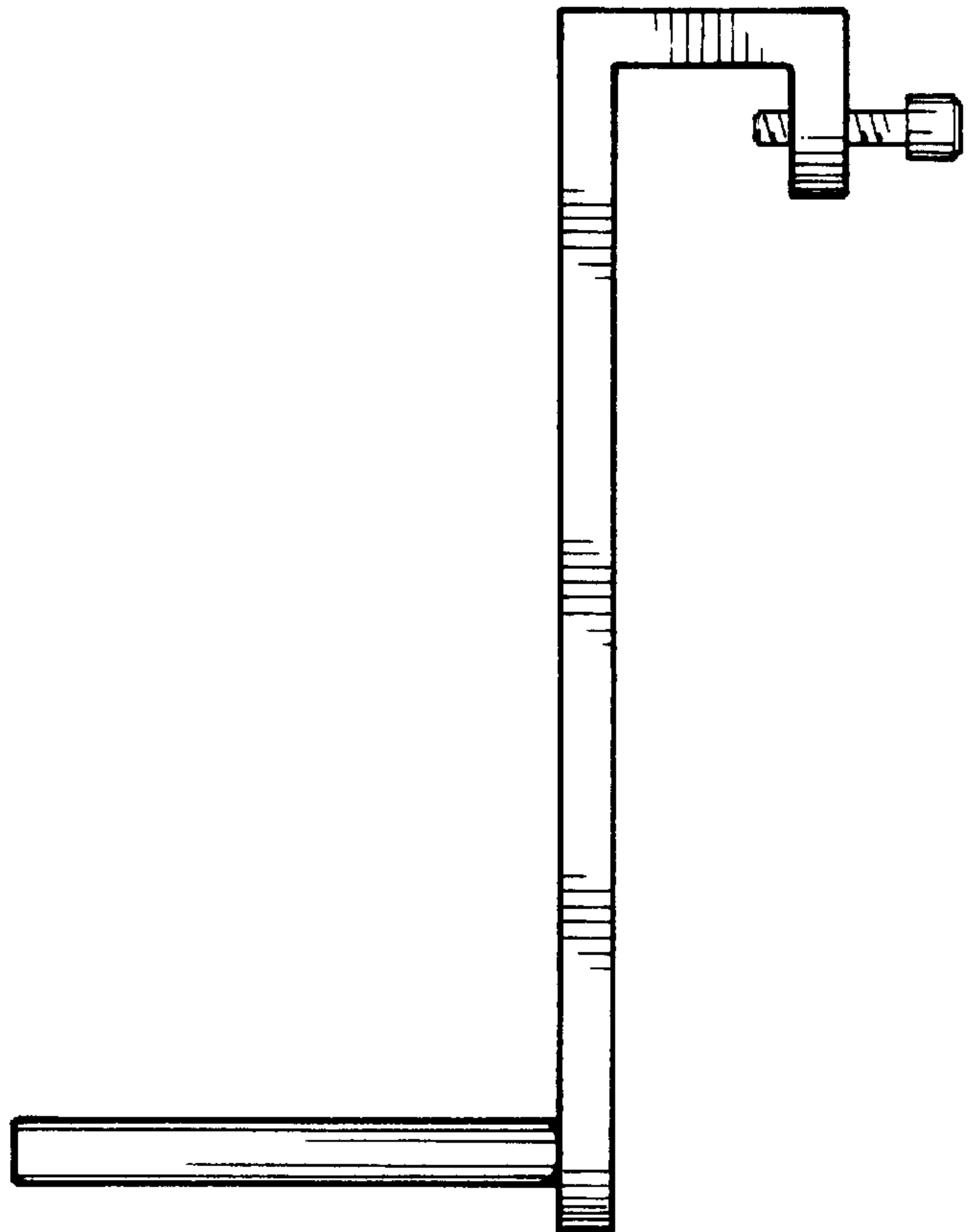


FIG. 7



FIG. 8