



US00D414900S

United States Patent [19] Salvino

[11] **Patent Number: Des. 414,900**
[45] **Date of Patent: ** Oct. 5, 1999**

[54] **FLEXIBLE U-SHAPED NAIL FILE**

[75] Inventor: **Larry P. Salvino**, 1815 Elm Ct., West Dundee, Ill. 60118

[73] Assignee: **Larry P. Salvino**, Dundee, Ill.

[**] Term: **14 Years**

[21] Appl. No.: **29/083,145**

[22] Filed: **Feb. 5, 1998**

[51] **LOC (6) Cl. 28-03**

[52] **U.S. Cl. D28/59; D8/90**

[58] **Field of Search D28/7, 56, 57, D28/59, 62; D24/133, 143; D7/666, 686; D8/51, 52, 90, 94; 132/73, 73.5, 75.3, 75.6, 76.2, 76.5, 76.4; 294/3, 99.2, 8.5; 451/514-525**

[56] **References Cited**

U.S. PATENT DOCUMENTS

D. 46,636	11/1914	Girndt .	
D. 115,408	6/1939	Johnson .	
D. 133,008	7/1942	McCall .	
D. 159,662	8/1950	Patek .	
D. 262,064	11/1981	Rainin	D28/55
D. 355,455	2/1995	Stolte	D24/133
840,982	1/1907	Williams	451/525 X
893,004	7/1908	Miller	132/76.4
894,161	7/1908	Miller	132/76.4
900,758	10/1908	Miller	132/76.4
952,186	3/1910	Courtois	451/525 X
959,213	5/1910	Ganz .	
1,014,629	1/1912	Mendelsohn	132/75.6
1,062,464	5/1913	Haynes	29/278
1,080,898	12/1913	Dennis	294/8.5
1,163,455	12/1915	Randolph .	
1,312,653	8/1919	Watrous .	
1,492,470	4/1924	Kirby	132/75.6
1,588,160	6/1926	Booty	132/76.5
1,894,142	1/1933	Wutzburger	132/75.6
1,920,738	8/1933	Bentley	132/76.5
2,132,889	10/1938	Ayres	13/76.5
2,177,205	10/1939	Dalmas	132/73.5
2,215,877	9/1940	Johnson .	

2,225,567	12/1940	Neuschaefer	132/76.4
2,233,438	3/1941	Troya	132/76.4
2,518,873	8/1950	Eisenberg et al.	451/525 X
2,709,443	5/1955	Brite .	
3,298,381	1/1967	Adams .	
3,722,104	3/1973	Enzetti .	
4,184,499	1/1980	Seidler	132/75.6
4,646,953	3/1987	Marshall et al.	132/73
4,785,835	11/1988	Bray	132/76.4
5,082,009	1/1992	Cromer	132/76.4
5,287,863	2/1994	LaJoie et al.	132/76.4
5,706,835	1/1998	Salvino	132/75.6

FOREIGN PATENT DOCUMENTS

573911	7/1924	France	132/76.4
348120	2/1937	Italy	132/76.4
413163	7/1934	United Kingdom	132/76.4
876141	8/1956	United Kingdom	132/76.4

OTHER PUBLICATIONS

Hong Kong Enterprise Feb. 1993, p. 427; Emery Board as indicated by arrow.

Hong Kong Enterprise Oct. 1989, p. 517; Nail file indicated by arrow.

Primary Examiner—Ted Shooman

Assistant Examiner—C Tuttle

Attorney, Agent, or Firm—Banner & Witcoff Ltd

[57] **CLAIM**

The ornamental design for a flexible U-shaped handle for a nail file, as shown and described.

DESCRIPTION

FIG. 1 is a front view of a handle for a nail file showing my new design;

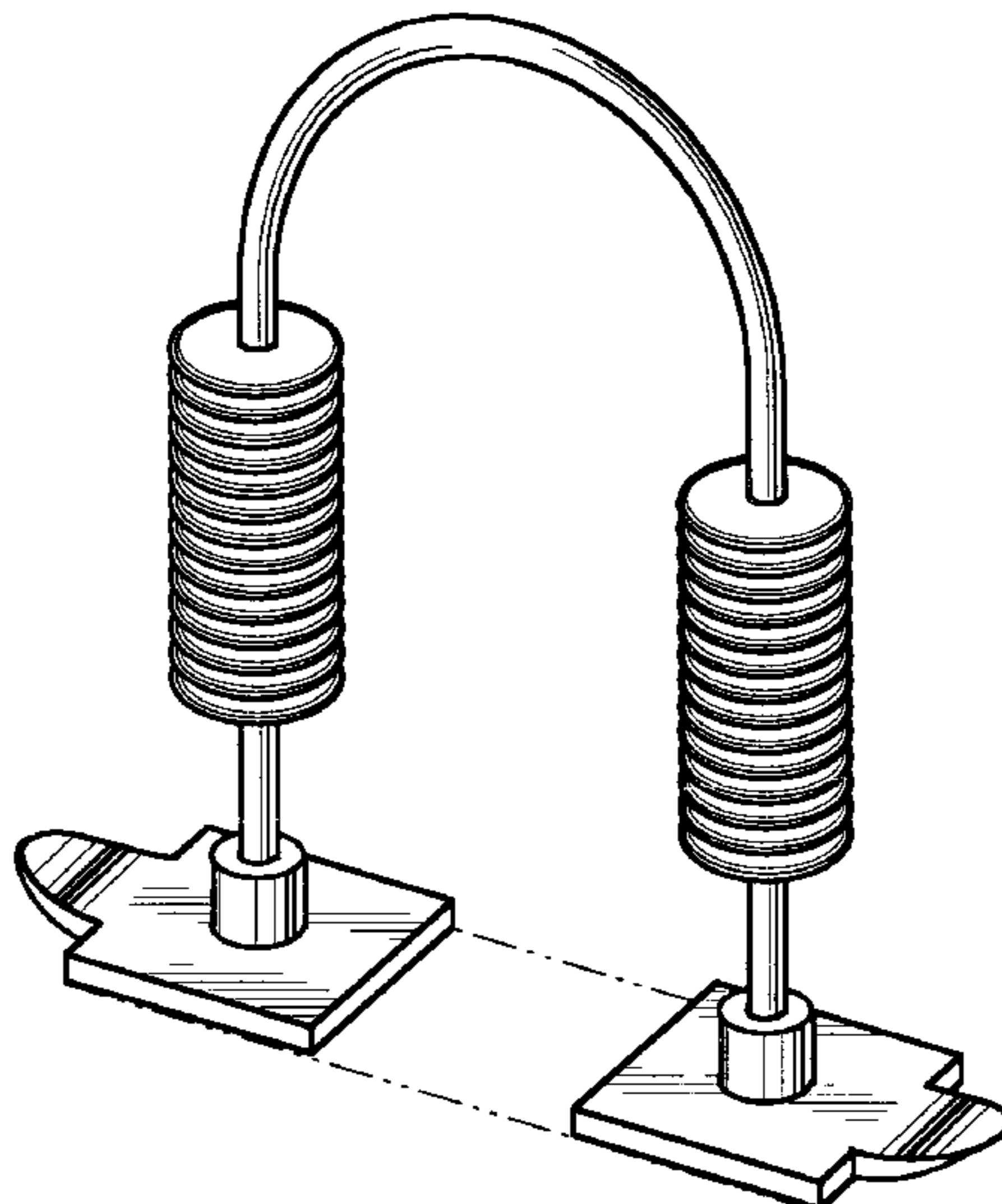
FIG. 2 is a right side view thereof;

FIG. 3 is a bottom view thereof;

FIG. 4 is a top view thereof; and,

FIG. 5 is a rear and left side perspective view showing my design with an abrasive pad attached, the broken lines showing the abrasive pad being for illustrative purposes only and forming no part of the claimed design.

1 Claim, 1 Drawing Sheet



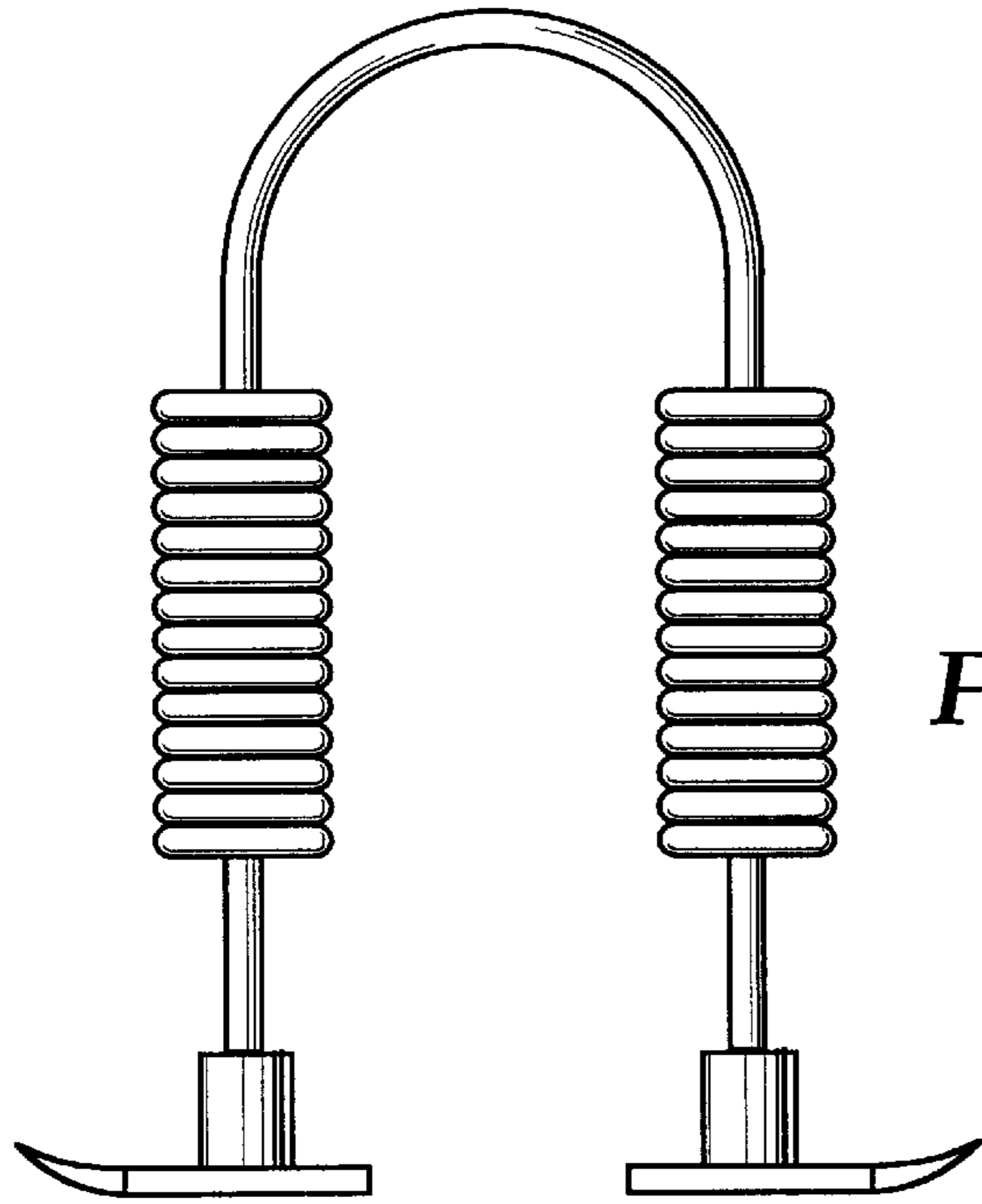


Fig.1

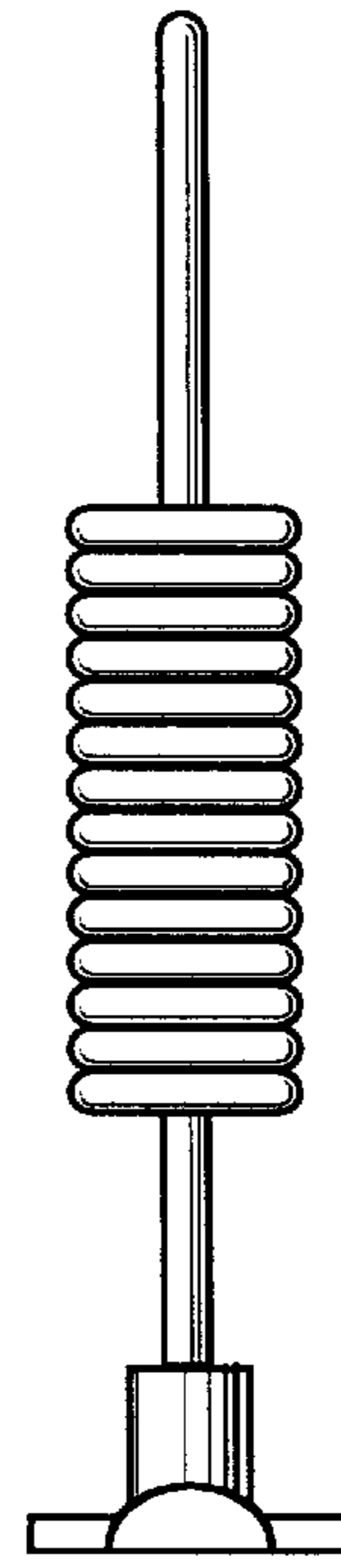


Fig.2

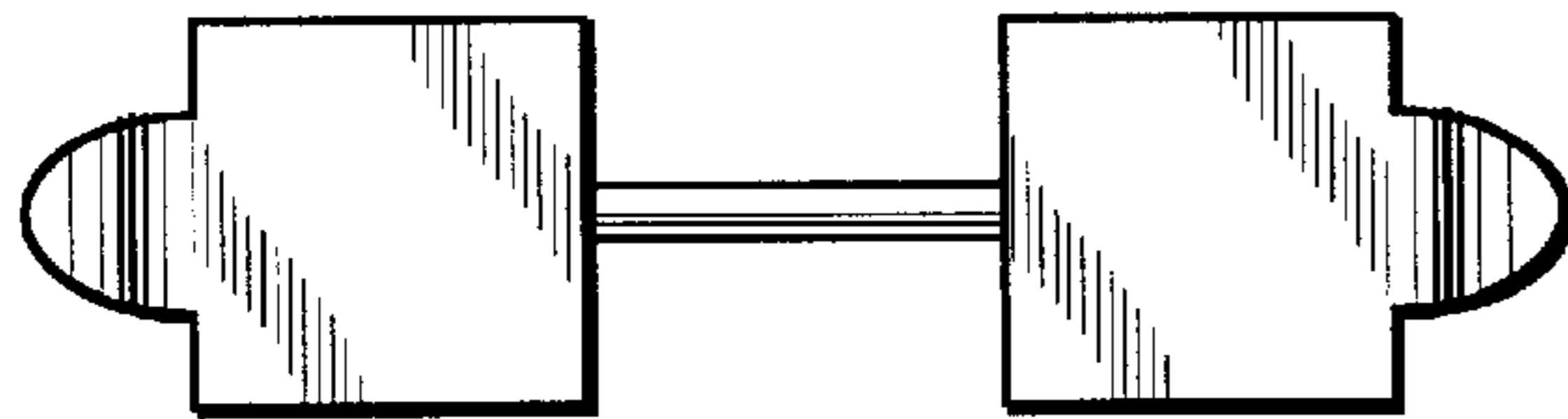


Fig.3

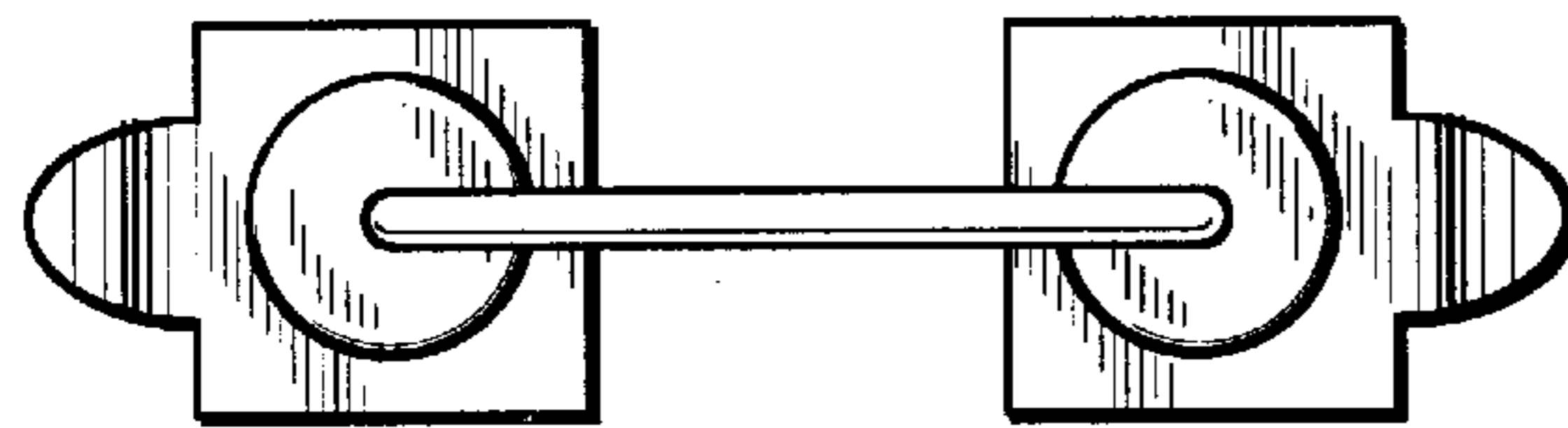


Fig.4

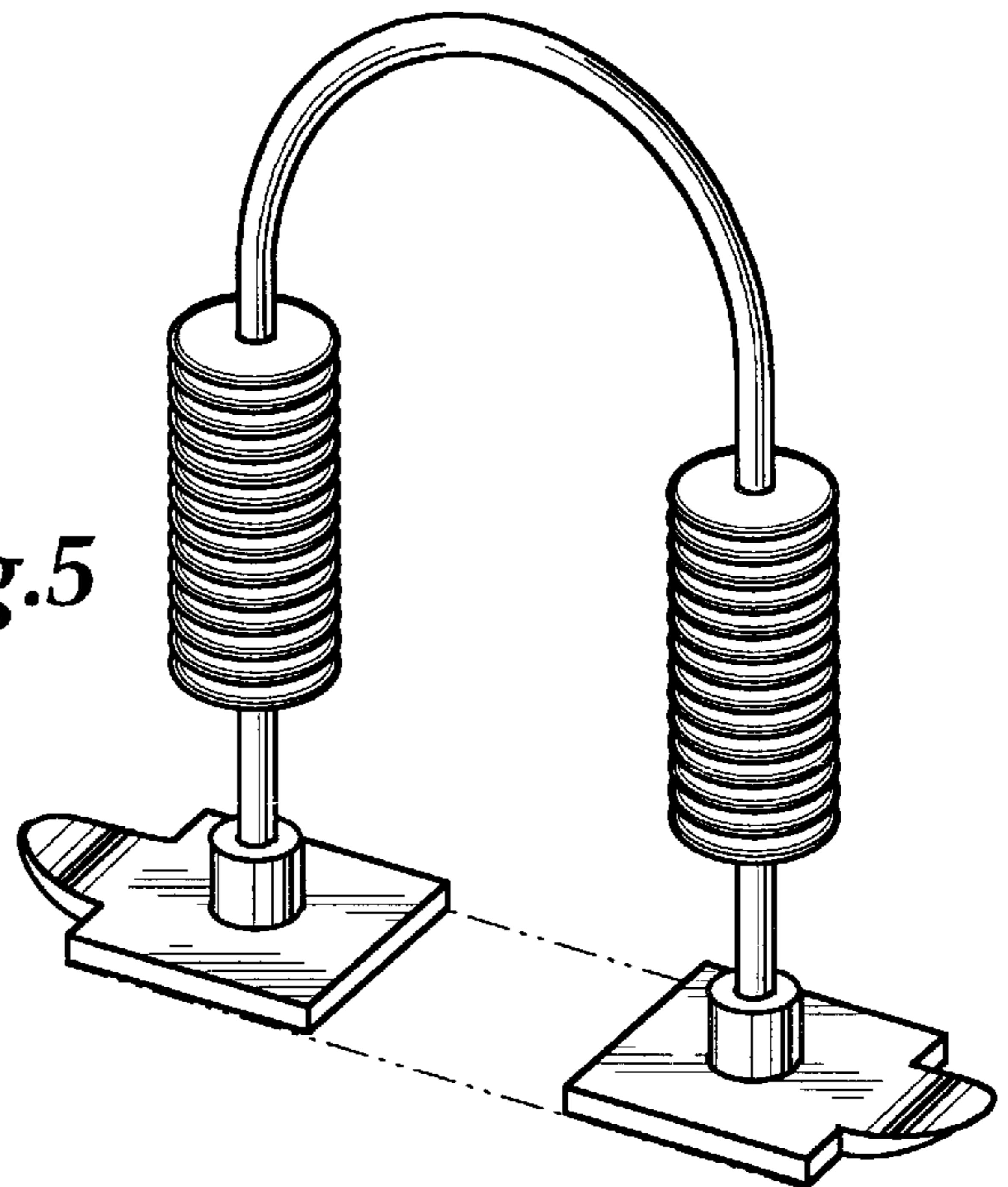


Fig.5