



US00D414898S

# United States Patent [19] Grange

[11] Patent Number: **Des. 414,898**

[45] Date of Patent: **\*\* Oct. 5, 1999**

[54] RAZOR HANDLE

[75] Inventor: **Kenneth Grange**, London, United Kingdom

[73] Assignee: **Warner-Lambert Company**, Morris Plains, N.J.

[\*\*] Term: **14 Years**

[21] Appl. No.: **29/070,179**

[22] Filed: **May 1, 1997**

[51] LOC (6) Cl. .... **28-03**

[52] U.S. Cl. .... **D28/48**

[58] Field of Search ..... D28/45-48; 30/32, 30/34.2, 41, 47-51, 62-65, 74.1, 77-81, 526

[56] **References Cited**

**U.S. PATENT DOCUMENTS**

D. 229,876	1/1974	Glaberson	.....	D28/46
D. 311,784	10/1990	Schwartz	.....	D28/48
D. 355,049	1/1995	Yasui	.....	D28/48
D. 363,141	10/1995	Burout et al.	.....	D28/46
D. 365,419	12/1995	Kamiya	.....	D28/48
D. 386,821	11/1997	Shurtleff et al.	.....	D28/48
D. 392,418	3/1998	Gray	.....	D28/48

3,140,542	7/1964	Craig	.....	30/62
3,203,092	8/1965	Craig	.....	30/62
3,204,338	9/1965	Kruger et al.	.....	30/63
3,252,335	5/1966	Kruger et al.	.....	30/62
3,861,040	1/1975	Dorion, Jr.	.....	30/50 X
3,872,589	3/1975	Braginetz	.....	30/62

*Primary Examiner*—Ted Shooman  
*Assistant Examiner*—C Tuttle  
*Attorney, Agent, or Firm*—Charles W. Almer

[57] **CLAIM**

The ornamental design for a razor handle, as shown and described.

**DESCRIPTION**

FIG. 1 is a top, rear and left side perspective view of the razor handle;  
FIG. 2 is a bottom, front and right perspective view of the razor handle;  
FIG. 3 is a bottom end view of the razor handle;  
FIG. 4 is a top end view of the razor handle;  
FIG. 5 is a back view of the razor handle;  
FIG. 6 is a side view of the razor handle; and,  
FIG. 7 is a front view of the razor handle.  
The broken line portion of the drawing is for illustrative purposes only and forms no part of the claimed design.

**1 Claim, 6 Drawing Sheets**

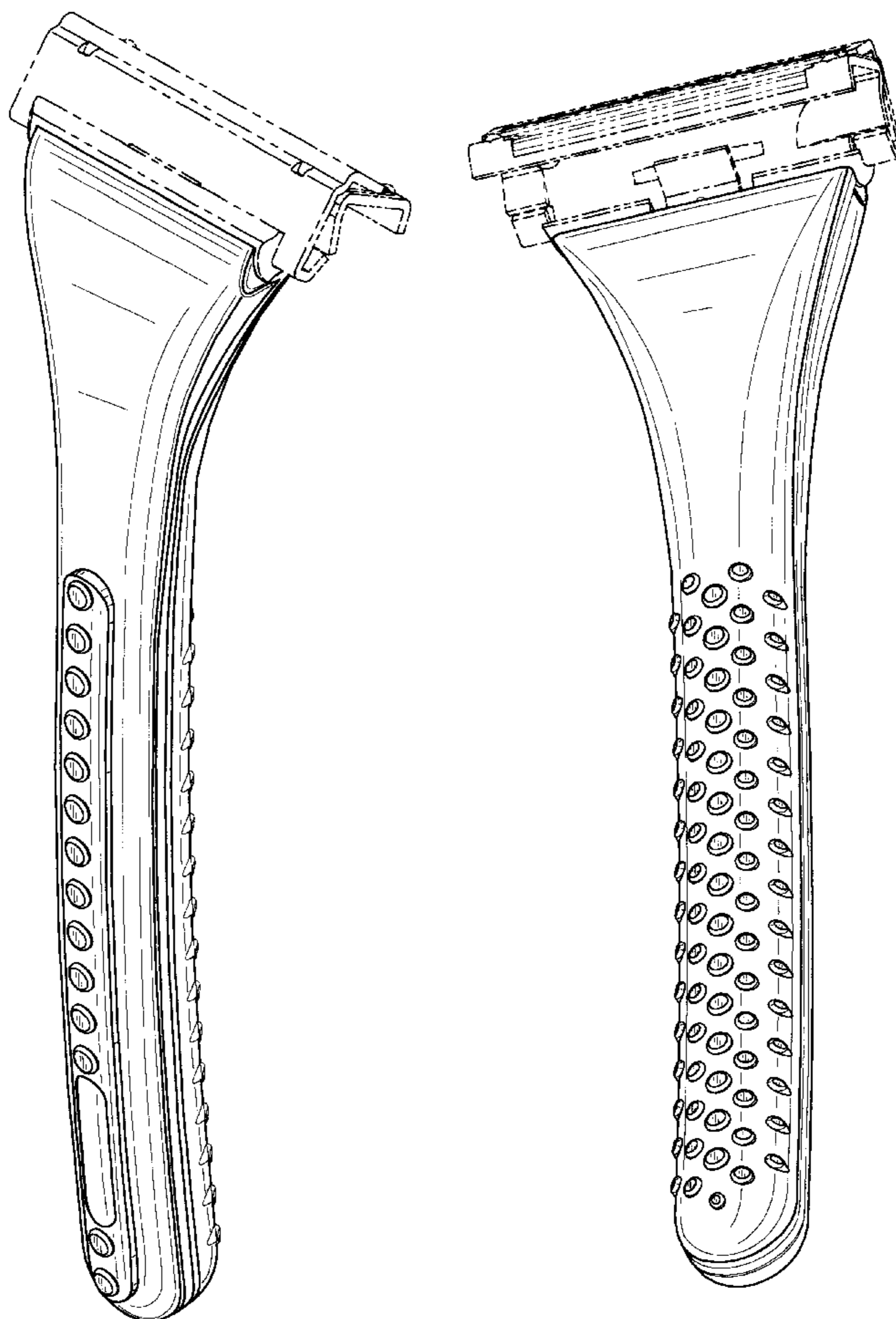


FIG-1

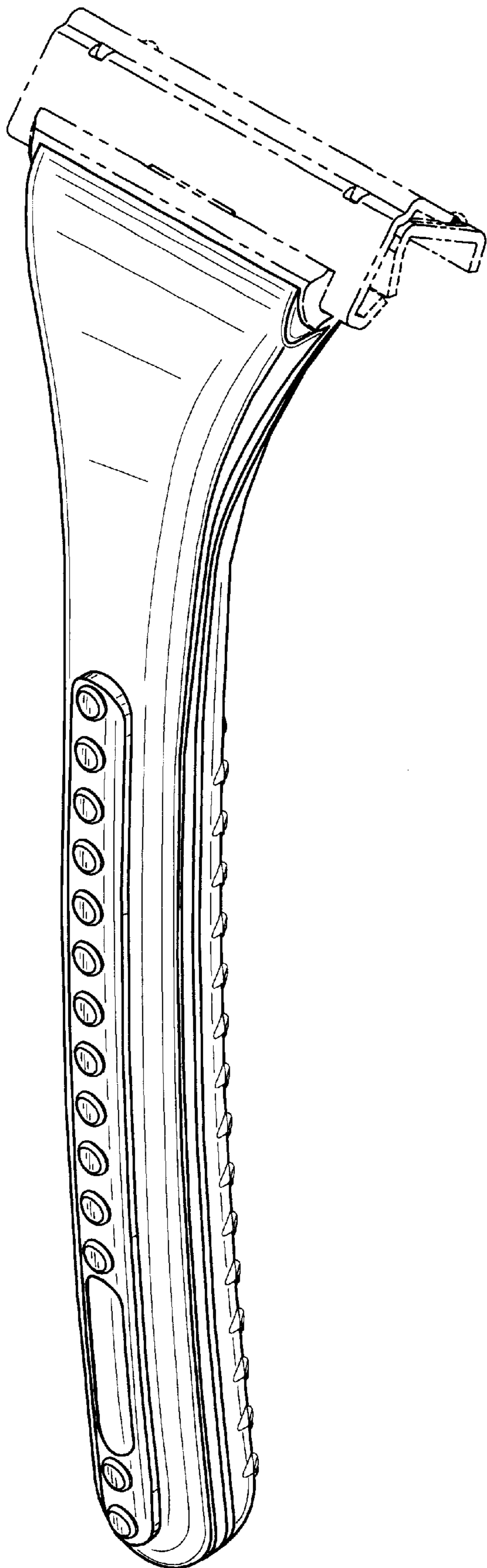


FIG-2

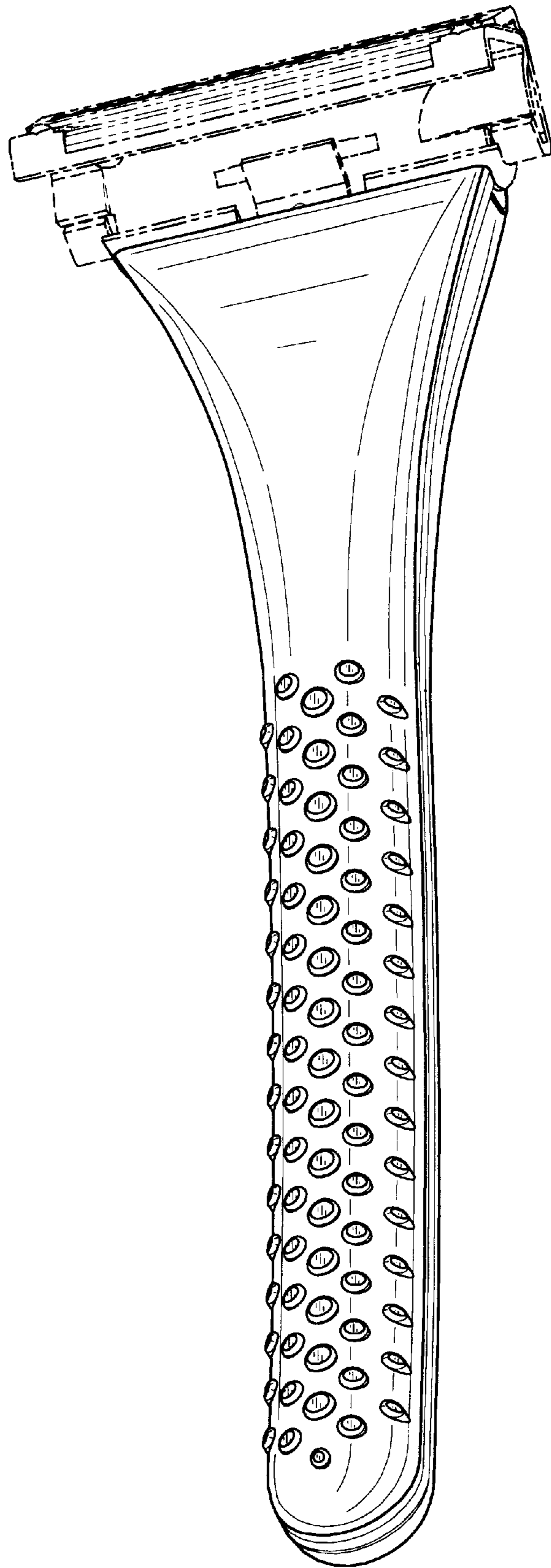


FIG-3

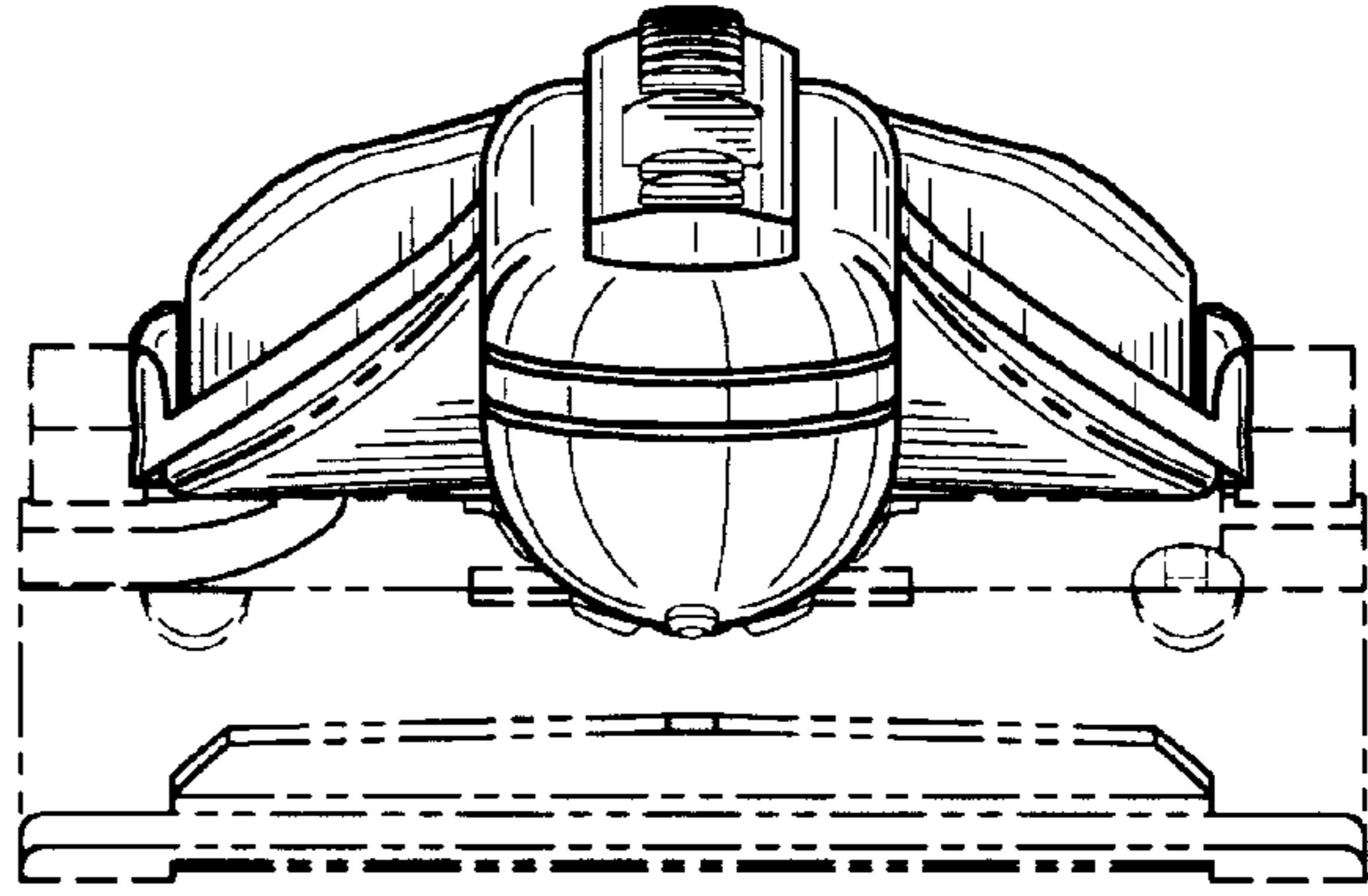


FIG-4

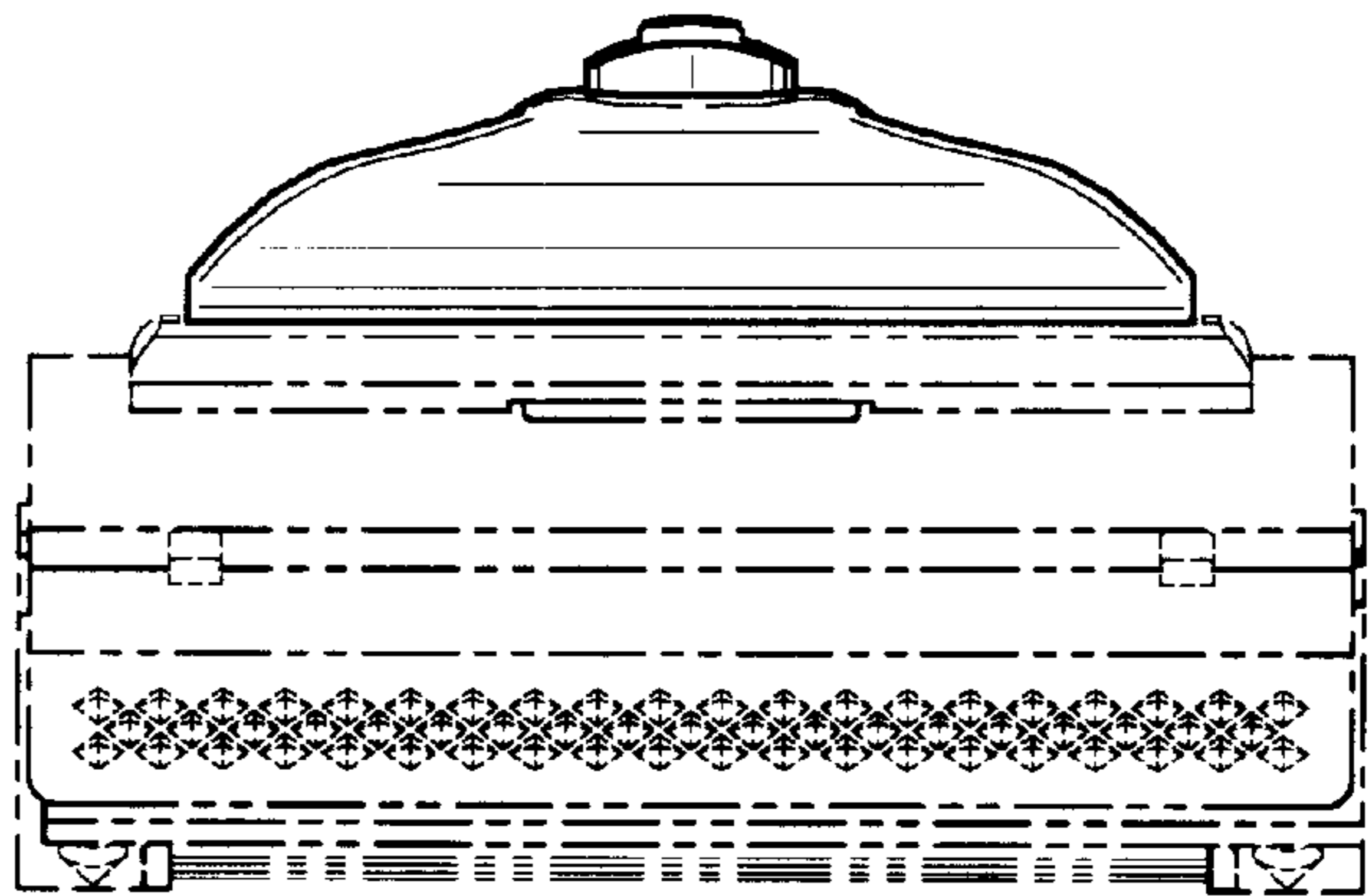


FIG-5

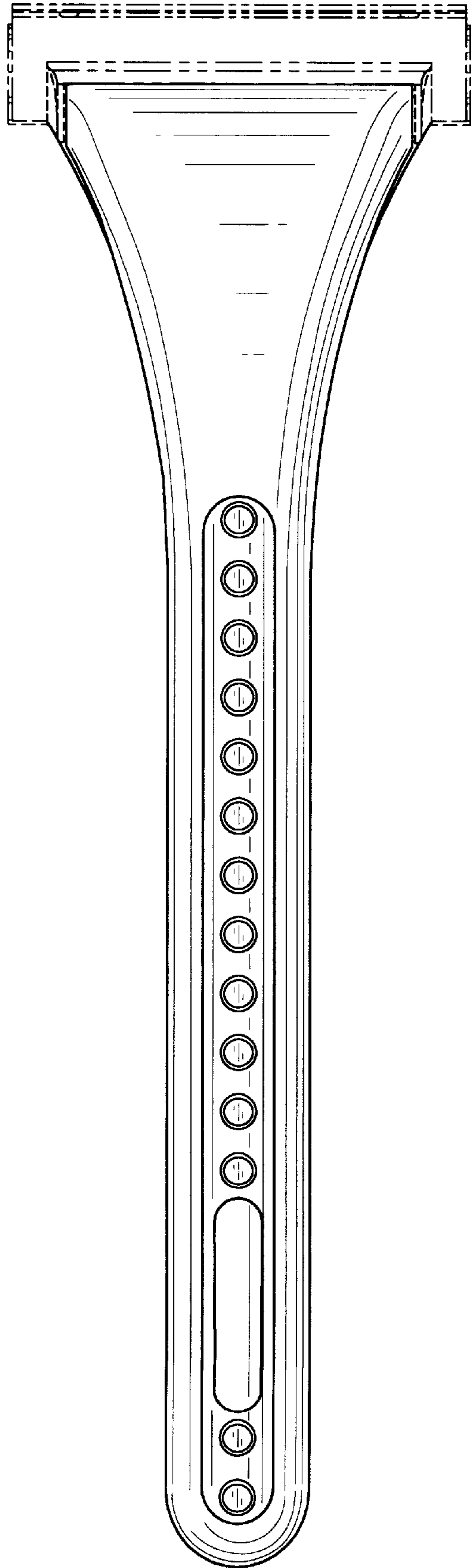


FIG-6

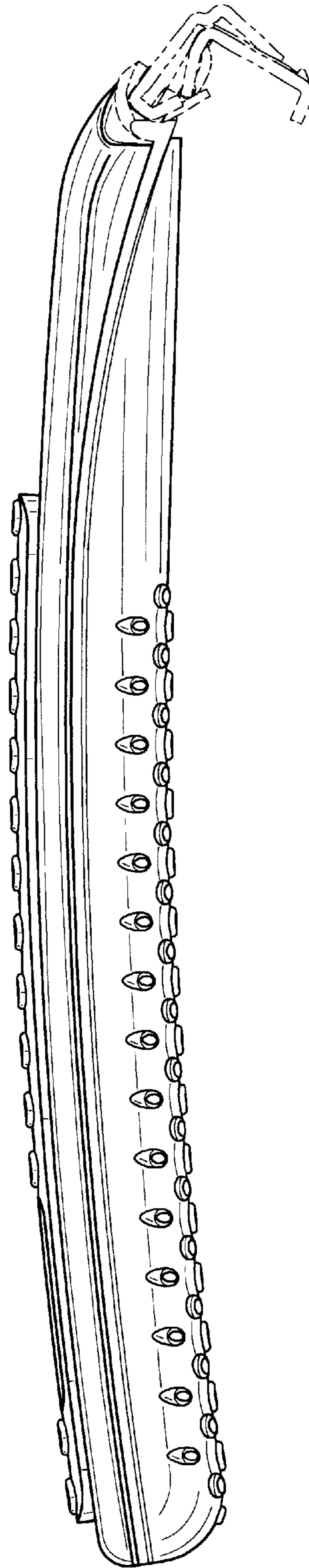


FIG-7

