



US00D414889S

United States Patent [19]
Luedecke

[11] **Patent Number: Des. 414,889**

[45] **Date of Patent: ** Oct. 5, 1999**

[54] **PORTABLE, TOTABLE REPOSITORY FOR SPENT SMOKING MATERIALS**

Justrite "Cease-Fire" Waste receptacles—Lab Safety Supply—p. 555.

[76] Inventor: **Carol S. Luedecke**, 709 Bayou Dr., Destin, Fla. 32541

Primary Examiner—Susan J. Lucas
Assistant Examiner—Jennifer Rivard
Attorney, Agent, or Firm—Womble Carlyle Sandridge & Rice; Louis T. Isaf

[**] Term: **14 Years**

[21] Appl. No.: **29/089,733**

[22] Filed: **Jun. 22, 1998**

[57] **CLAIM**

[51] **LOC (6) Cl.** **27-03**

The ornamental design entitled portable, totable repository for spent smoking materials, as shown and described.

[52] **U.S. Cl.** **D27/105; D27/135**

[58] **Field of Search** 55/385.8; D27/102–107, D27/117–118, 121–125, 133–136; 131/231, 232, 236, 238, 240.1, 242, 235.1, 256

DESCRIPTION

[56] **References Cited**

FIG. 1 is a perspective view of the portable, totable repository for spent smoking materials;

U.S. PATENT DOCUMENTS

FIG. 2 is a left side elevational view thereof, the right side being a mirror image;

D. 218,132	7/1970	Bieger	D27/135
D. 258,468	3/1981	Whitlock	D27/14
D. 373,217	8/1996	Adams et al.	D27/102
2,152,285	3/1939	Schirmer	131/51
2,595,103	4/1952	Schmaling, Sr.	131/242
3,283,938	11/1966	Vidal	220/20.5
4,142,537	3/1979	Fenelon	131/240
4,634,014	1/1987	Carr	220/1 H
4,883,224	11/1989	Sun	131/240.1 X
4,926,888	5/1990	Lee	131/236
5,205,299	4/1993	Chen	131/241
5,617,880	4/1997	Landuydt	131/237

FIG. 3 is a front elevational view thereof;

FIG. 4 is a rear elevational view thereof;

FIG. 5 is a top plan view thereof;

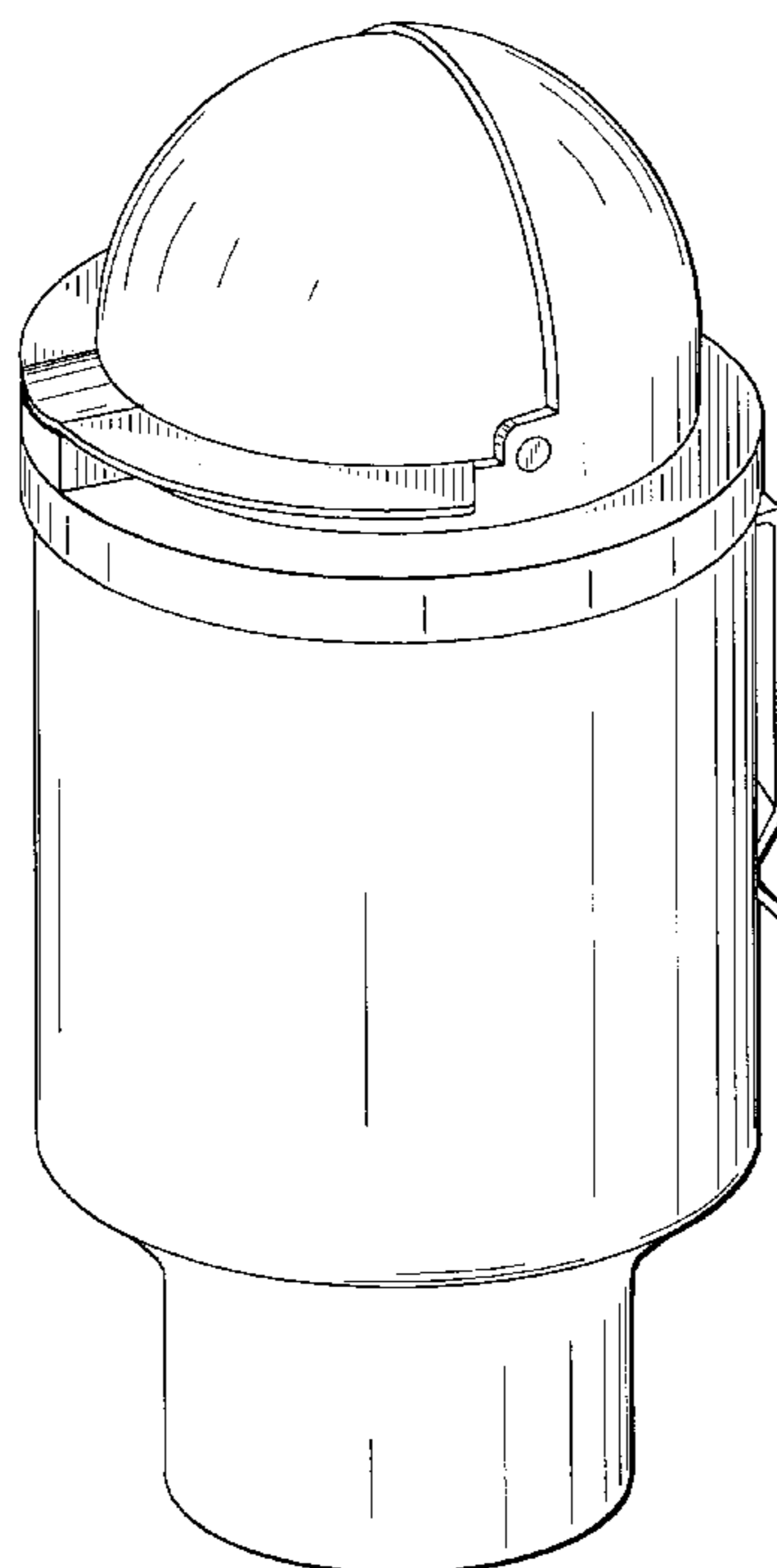
FIG. 6 is a bottom plan view thereof; and,

FIG. 7 is a perspective view of an alternate position of the closure of the cover of the repository of FIG. 1 with an interior notch and funnel shown for illustrative purposes only; alternate views of the open closure mirror those of FIGS. 2–5.

OTHER PUBLICATIONS

Bobken Self Extinguisher –Sanco Products, Oklahoma City, OK.
Safety Cans—Eagles—Maunufacturing Company Wellsburg, West Virginia.

1 Claim, 3 Drawing Sheets



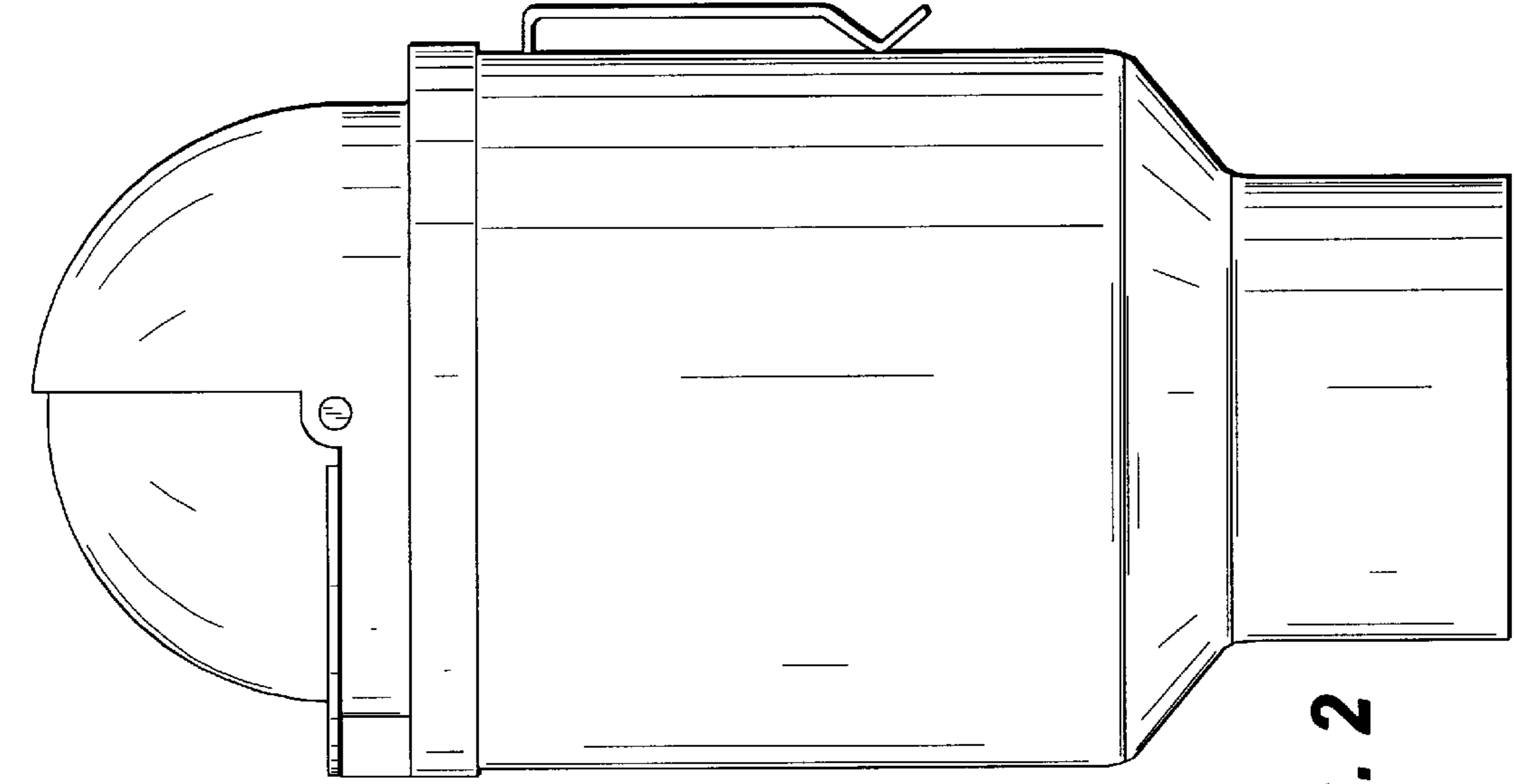


FIG. 2

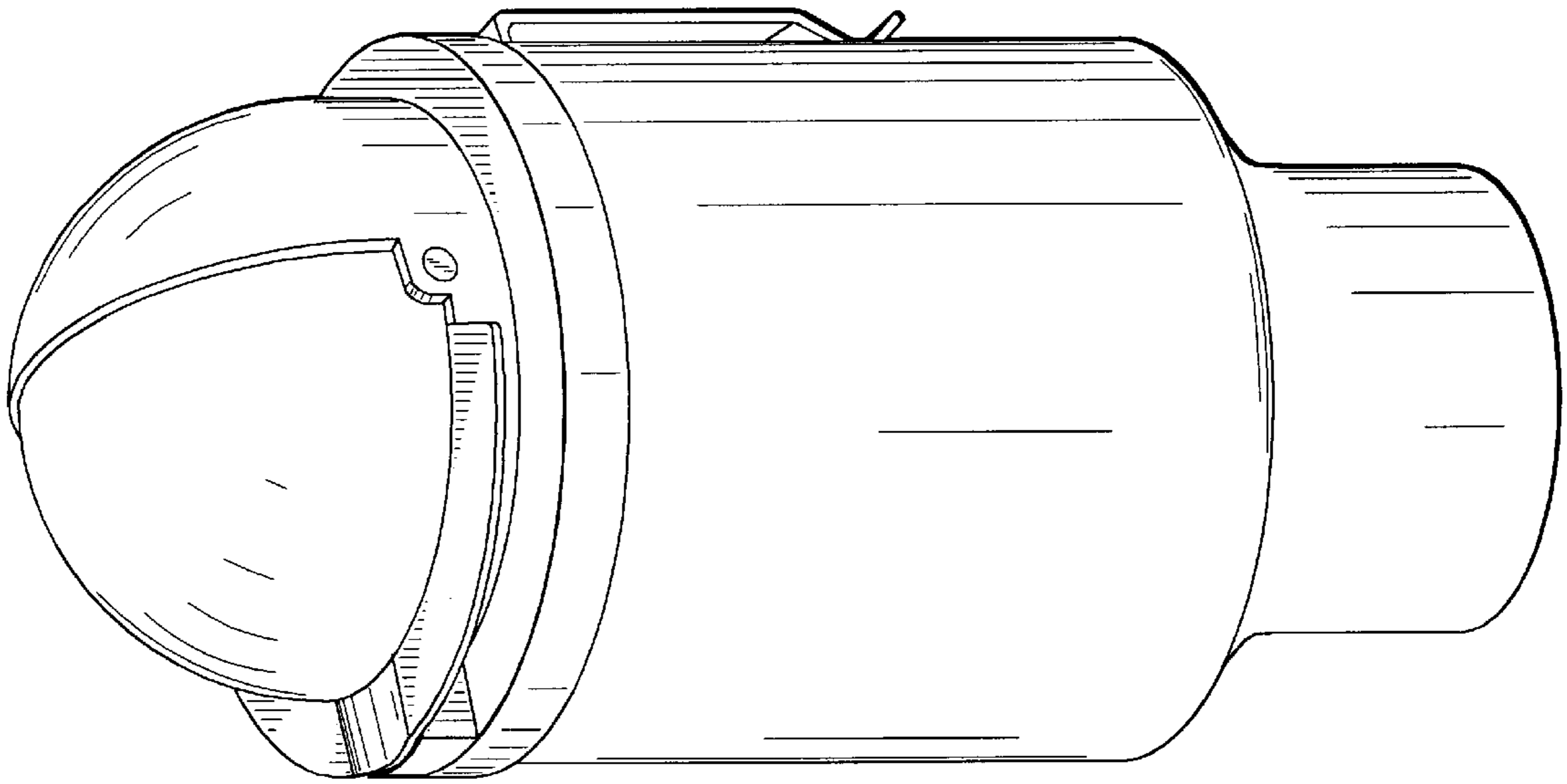


FIG. 1

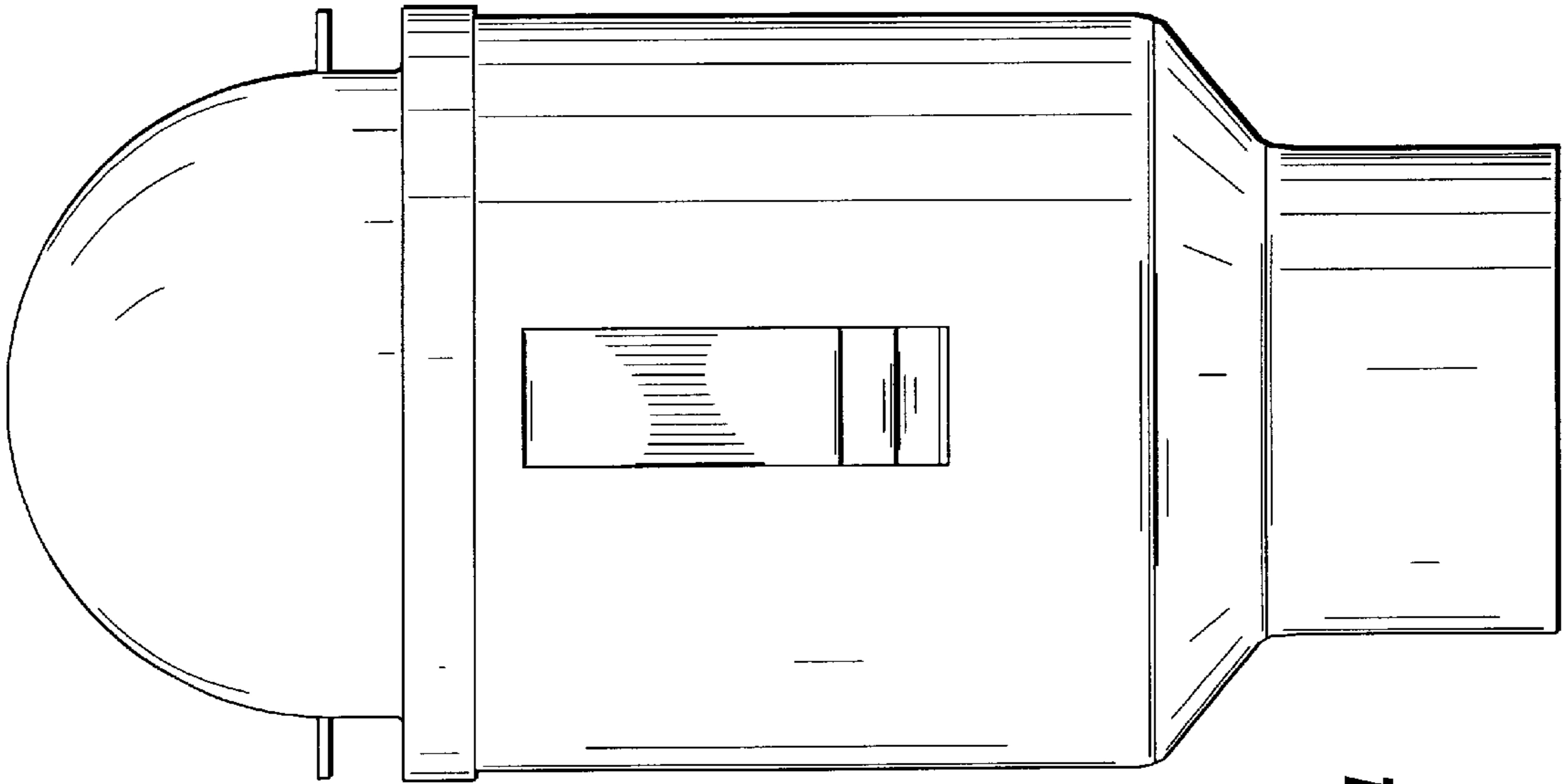


FIG. 4

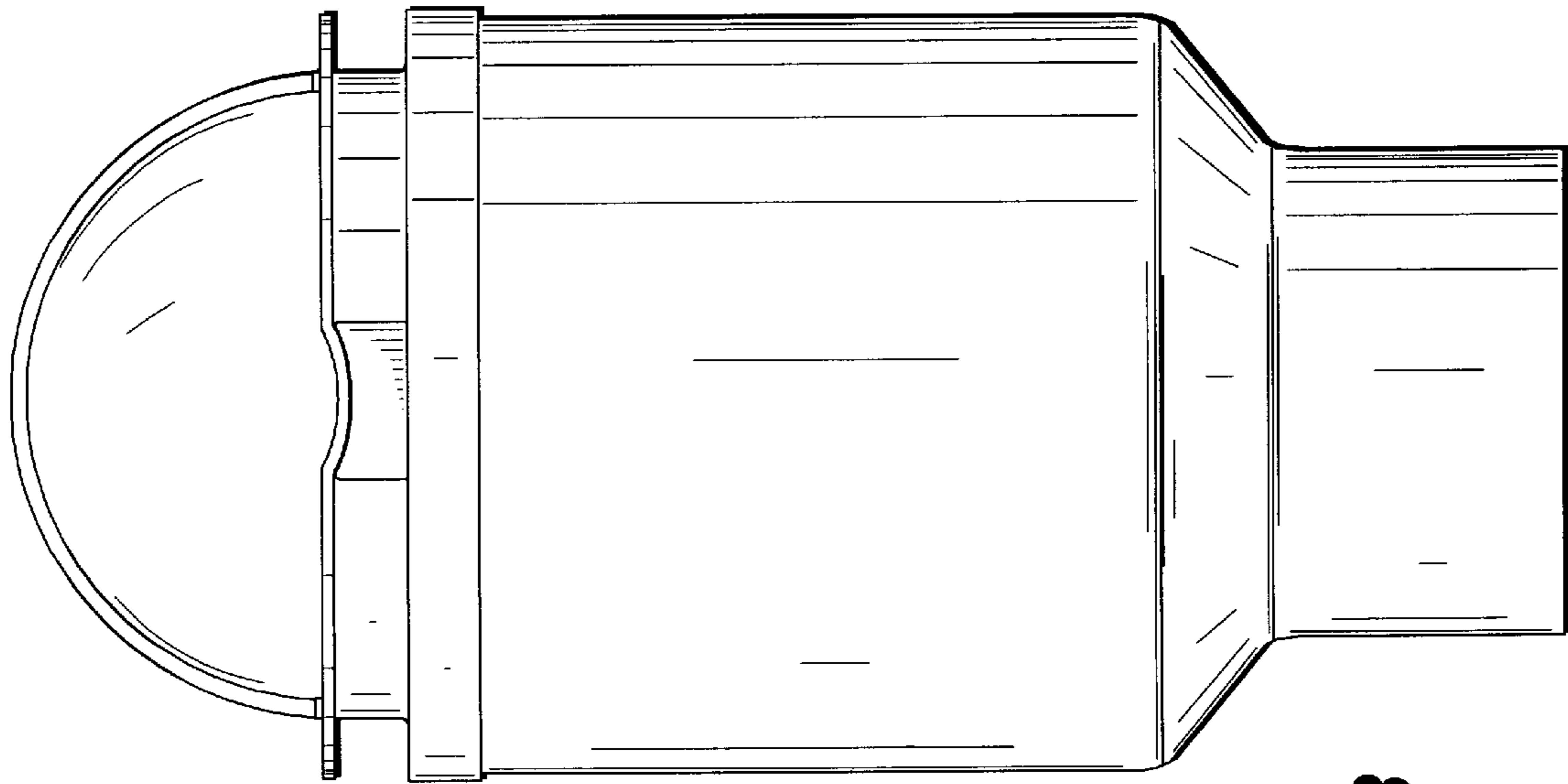


FIG. 3

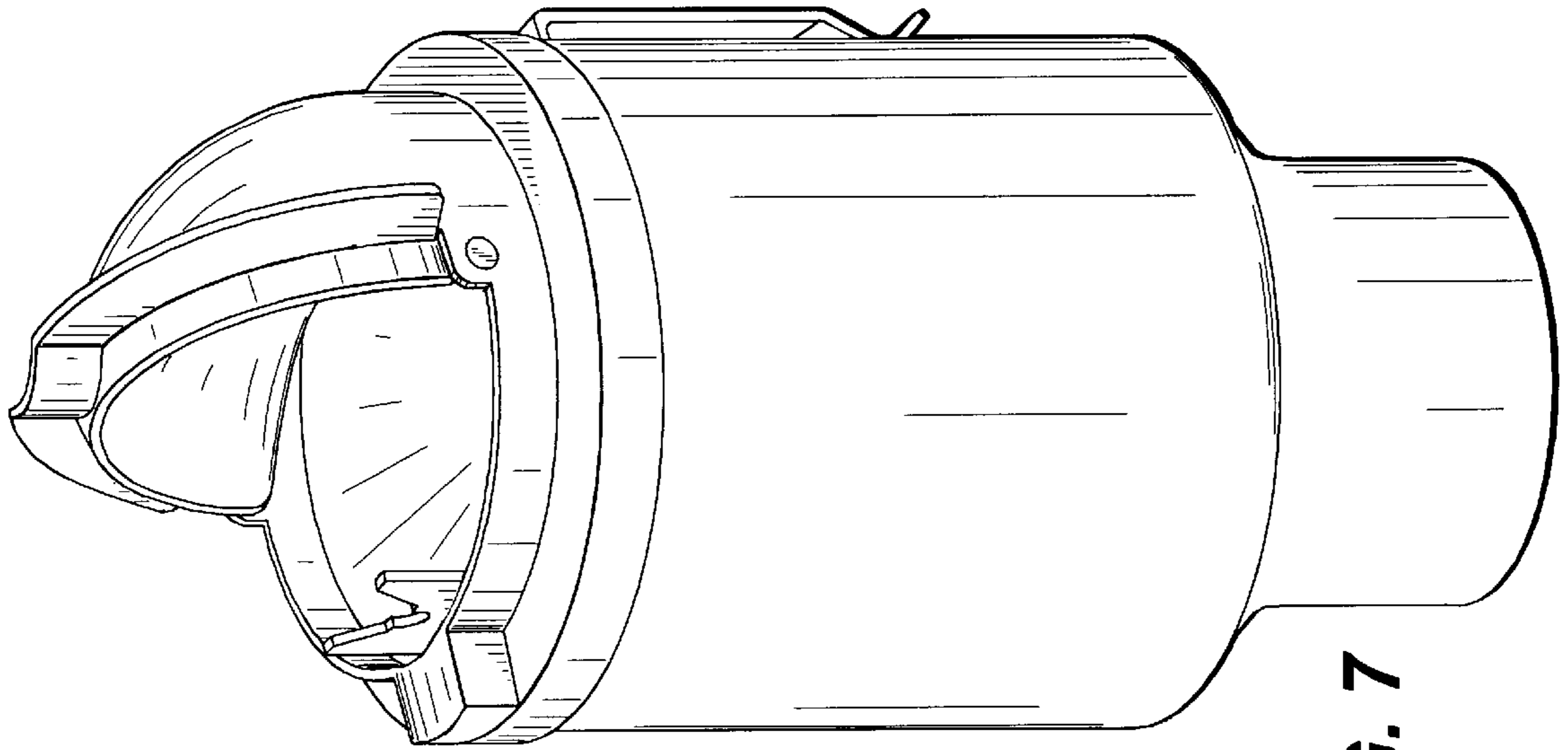


FIG. 7

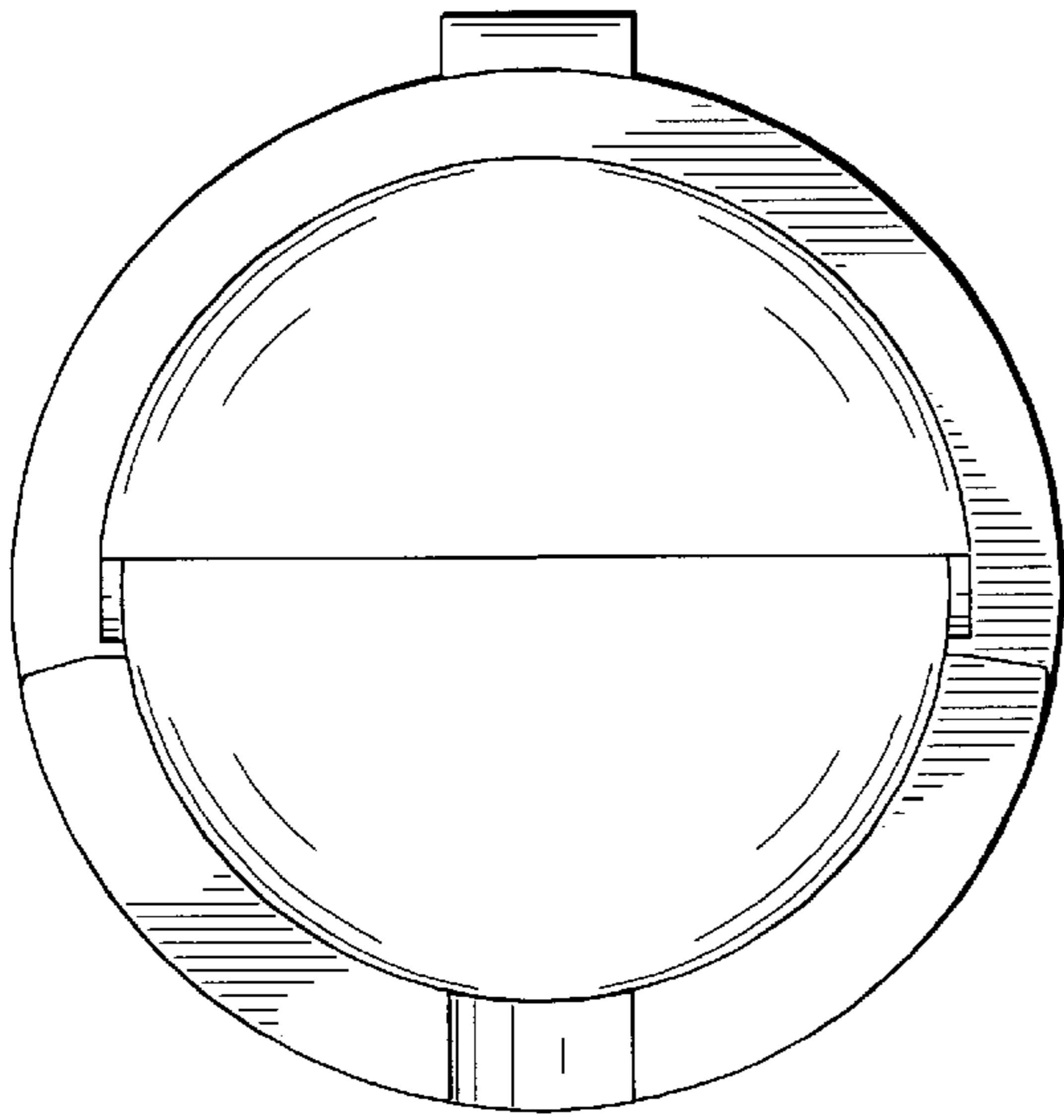


FIG. 5

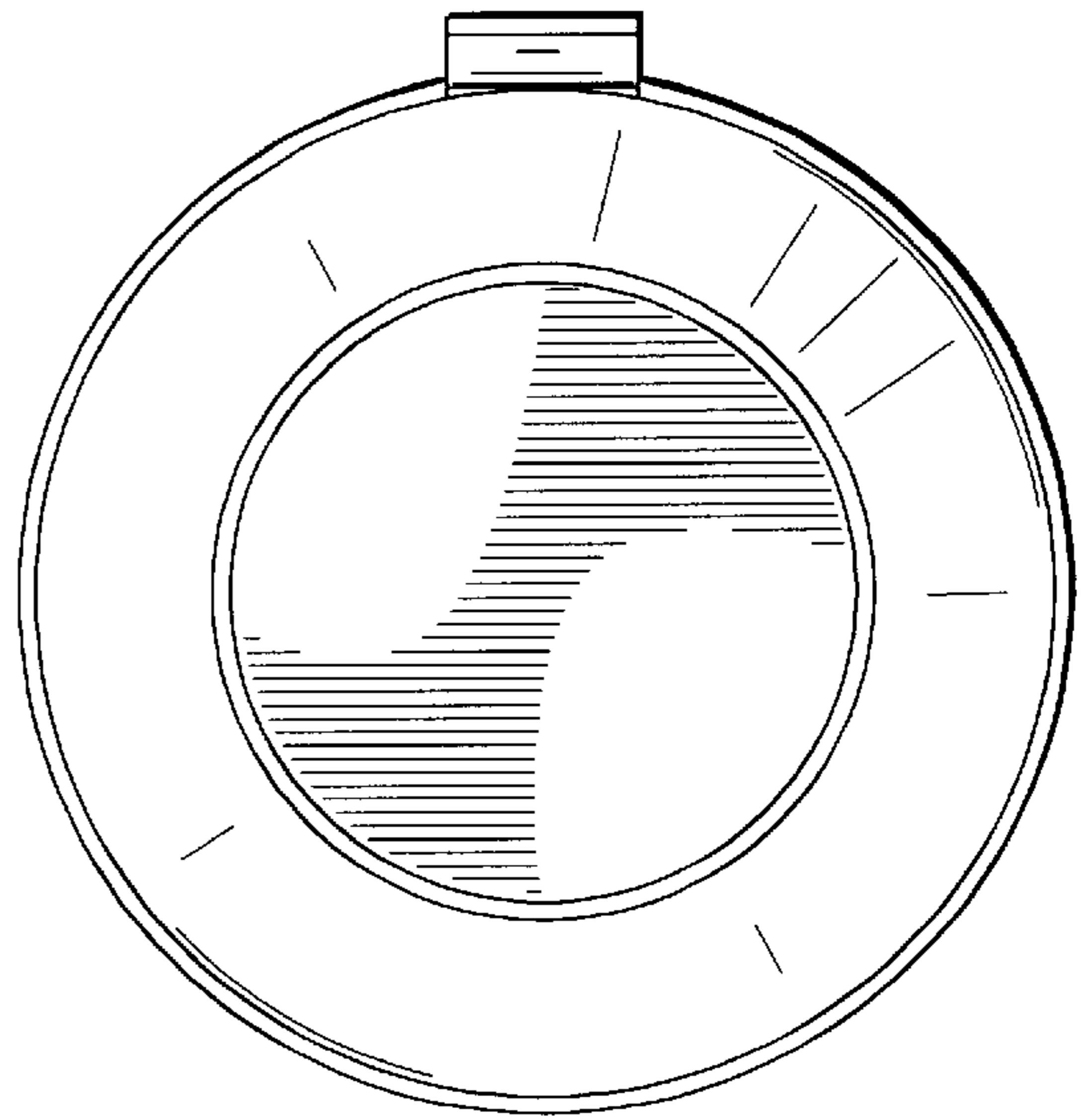


FIG. 6